



US00D912196S

(12) **United States Design Patent** (10) **Patent No.:** **US D912,196 S**  
**Thorpe** (45) **Date of Patent:** **\*\* Mar. 2, 2021**

(54) **PORTABLE FLY TRAP HOUSING**  
(71) Applicant: **Laura Thorpe**, Garland, UT (US)  
(72) Inventor: **Laura Thorpe**, Garland, UT (US)

(\*\*) Term: **15 Years**

(21) Appl. No.: **29/719,680**

(22) Filed: **Jan. 7, 2020**

(51) **LOC (13) Cl.** ..... **22-06**

(52) **U.S. Cl.**  
USPC ..... **D22/122**

(58) **Field of Classification Search**  
USPC ..... D22/122; D12/159, 415, 417;  
43/113-114, 116; D23/386, 388  
CPC ..... A01M 1/00; A01M 1/04; A01M 1/08;  
A01M 1/14; A01M 1/145; A01M 1/223;  
A01M 2200/012

See application file for complete search history.

(56) **References Cited**

**U.S. PATENT DOCUMENTS**

D64,605 S	5/1924	Saunders	
4,577,434 A	3/1986	Davis	
5,383,301 A	1/1995	Babb	
5,651,211 A	7/1997	Regan	
5,950,355 A	9/1999	Gilbert	
7,143,542 B2	12/2006	Taylor	
7,748,159 B1	7/2010	Wenner	
8,104,223 B1	1/2012	Rodriguez	
D657,436 S *	4/2012	Tsai	D22/122
2005/0005503 A1	1/2005	Bragg	
2009/0100743 A1 *	4/2009	Prater	A01M 1/223 43/112

2011/0041384 A1 *	2/2011	Willcox	A01M 1/08 43/113
2014/0026467 A1 *	1/2014	Kaye	A01M 1/145 43/113
2019/0261616 A1 *	8/2019	Studer	A01M 1/145

**FOREIGN PATENT DOCUMENTS**

CN 2301060 12/1998

**OTHER PUBLICATIONS**

Car Diffuser Vent Clip Aromatherapy Essential Oil Car Diffuser Vent Clips Maromalife (4pcs Vent Clips), [https://www.amazon.com/Packs-Diffuser-Essential-Locket-Aromatherapy/dp/B07MFD6YTP/ref=asc\\_df\\_B07MFD6YTP/](https://www.amazon.com/Packs-Diffuser-Essential-Locket-Aromatherapy/dp/B07MFD6YTP/ref=asc_df_B07MFD6YTP/) (Year: 2019).\*  
Yankee Candle Smart Scent Coconut Beach Car Vent Clip, [https://www.kohls.com/product/prd-4204203/yankee-candle-smart-scent-coconut-beach-car-vent-clip.jsp?skuid=61986184&CID=seo\\_offers&utm\\_campaign=SAG&utm\\_medium=organic&utm\\_source=google&utm\\_product=61986184](https://www.kohls.com/product/prd-4204203/yankee-candle-smart-scent-coconut-beach-car-vent-clip.jsp?skuid=61986184&CID=seo_offers&utm_campaign=SAG&utm_medium=organic&utm_source=google&utm_product=61986184) (Year: 2017).\*

\* cited by examiner

*Primary Examiner* — Catherine R Oliver-Garcia

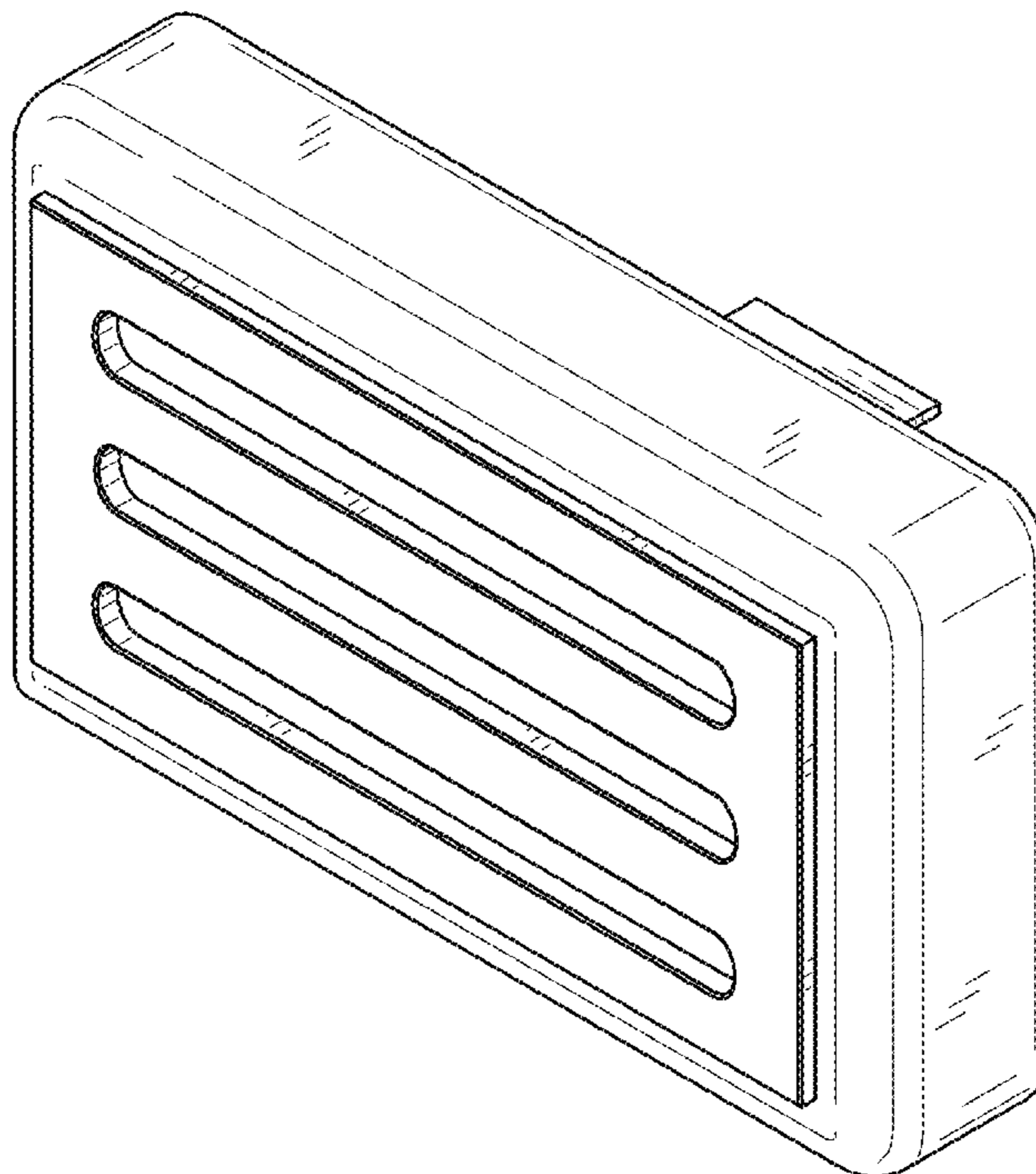
(57) **CLAIM**

I claim the ornamental design for a portable fly trap housing, as shown and described.

**DESCRIPTION**

FIG. 1 is a front view of the portable fly trap housing.  
FIG. 2 is a rear view of the claimed design.  
FIG. 3 is a left side view of the claimed design.  
FIG. 4 is a right side view of the claimed design.  
FIG. 5 is a top view of the claimed design.  
FIG. 6 is a bottom view of the claimed design; and,  
FIG. 7 is a perspective view of the claimed design.

**1 Claim, 4 Drawing Sheets**



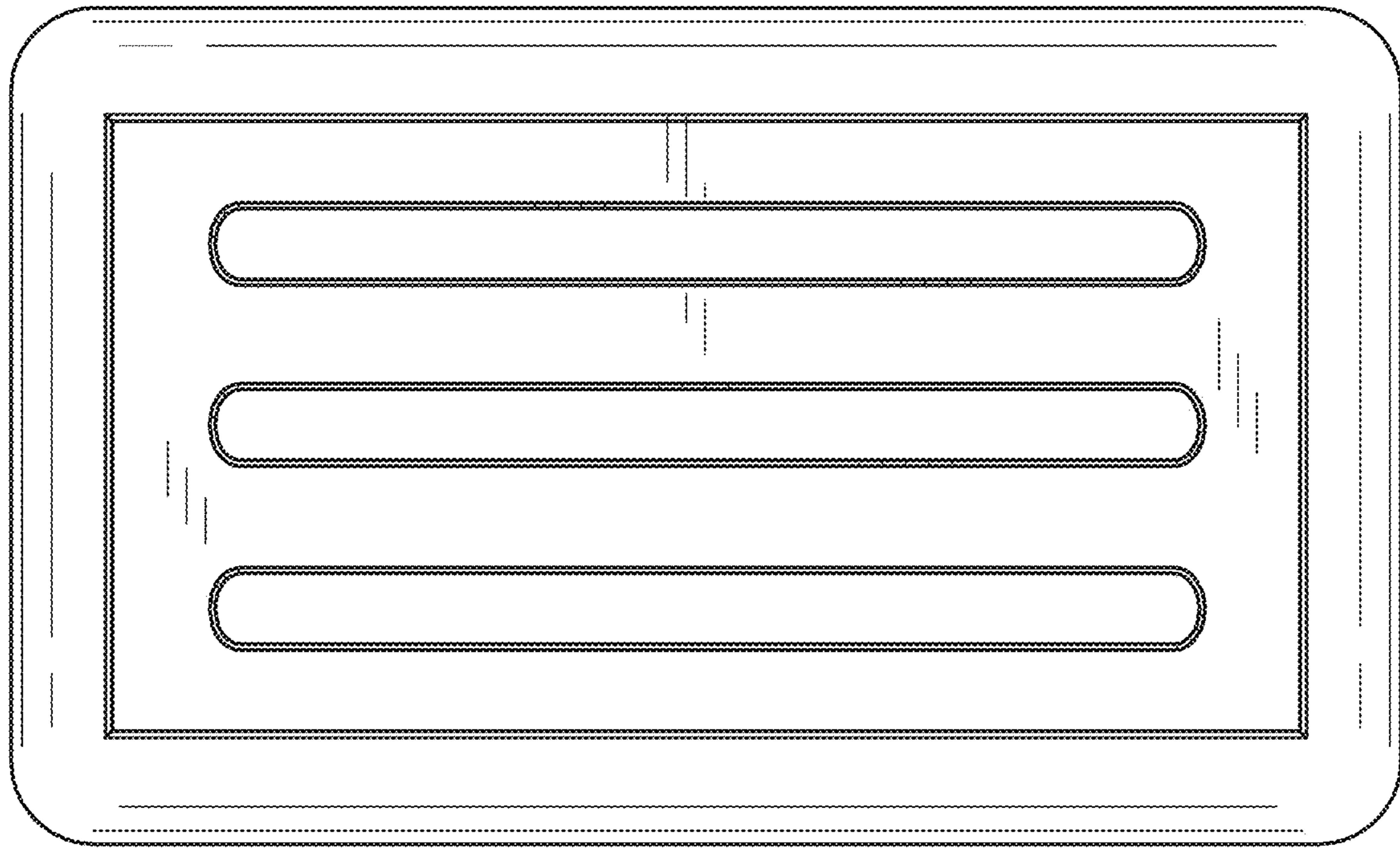


FIG. 1

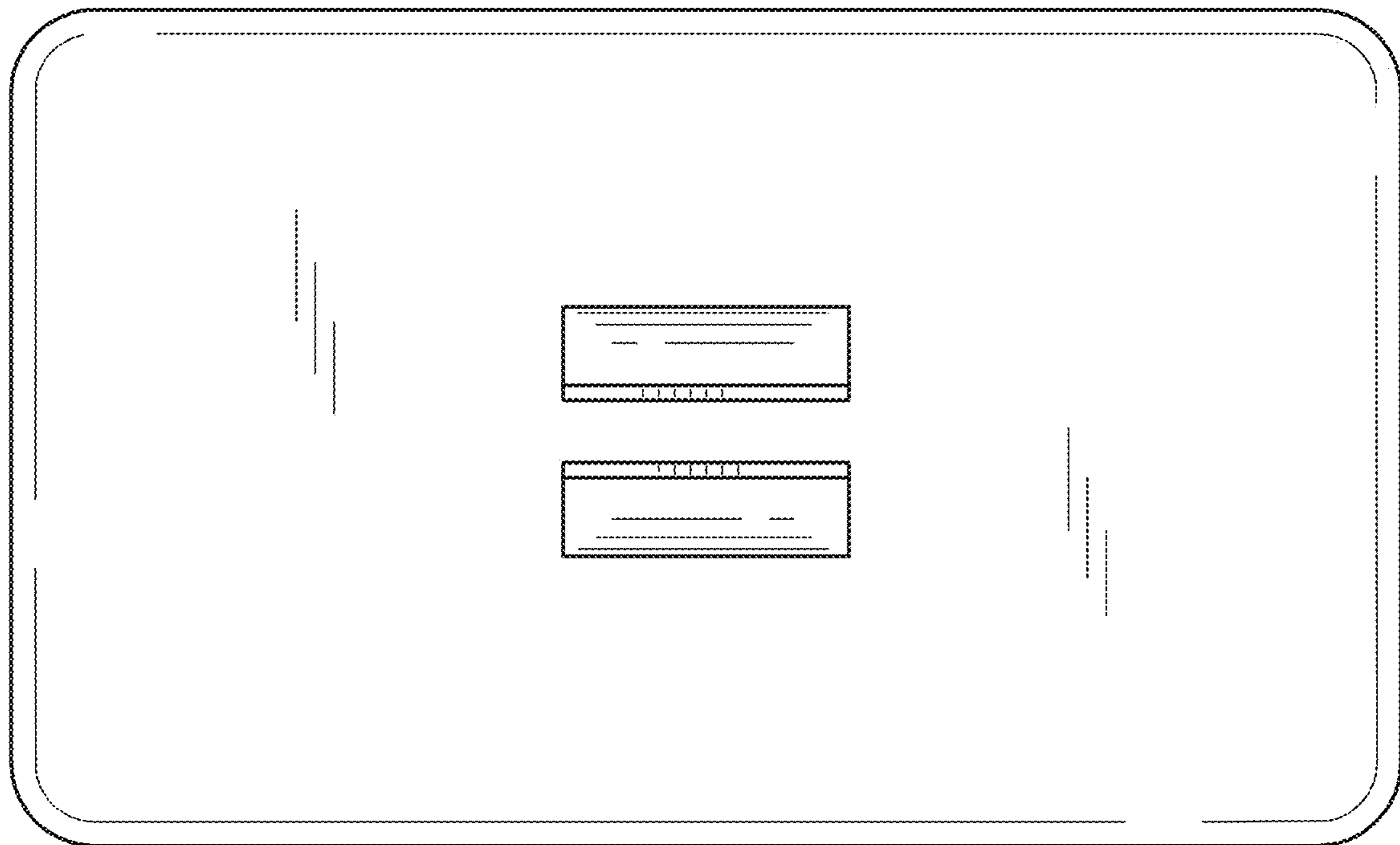


FIG. 2

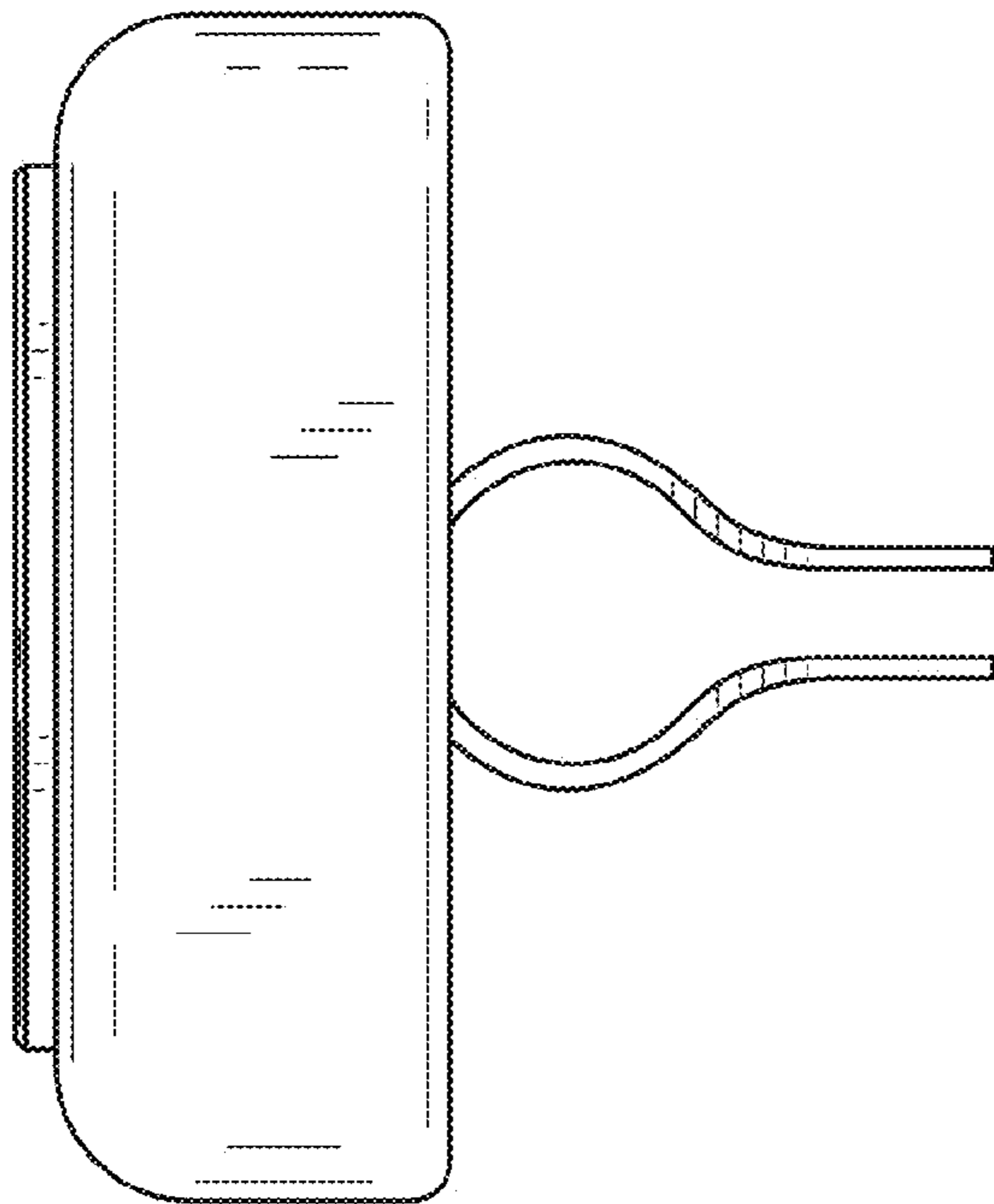


FIG. 3

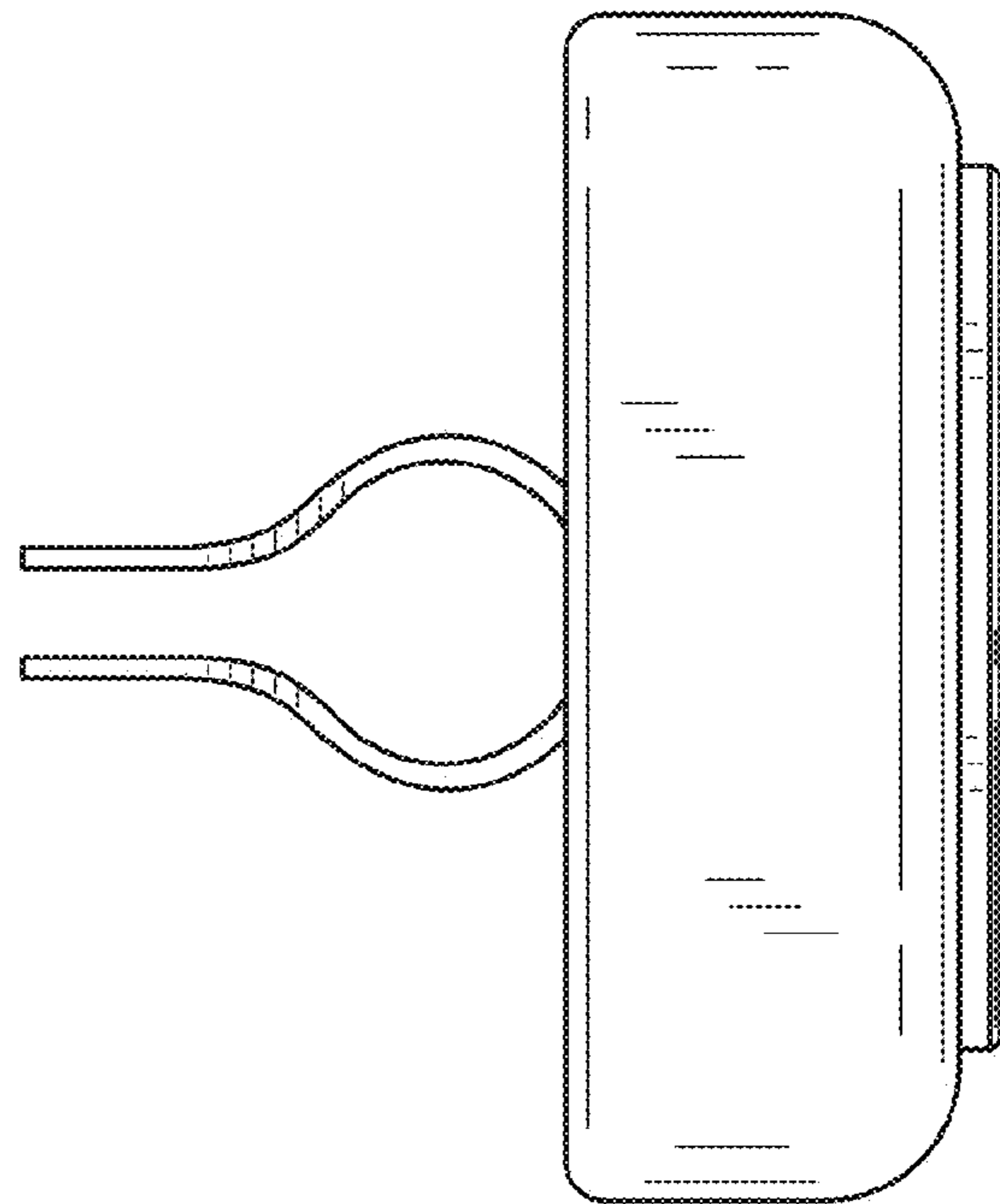


FIG. 4

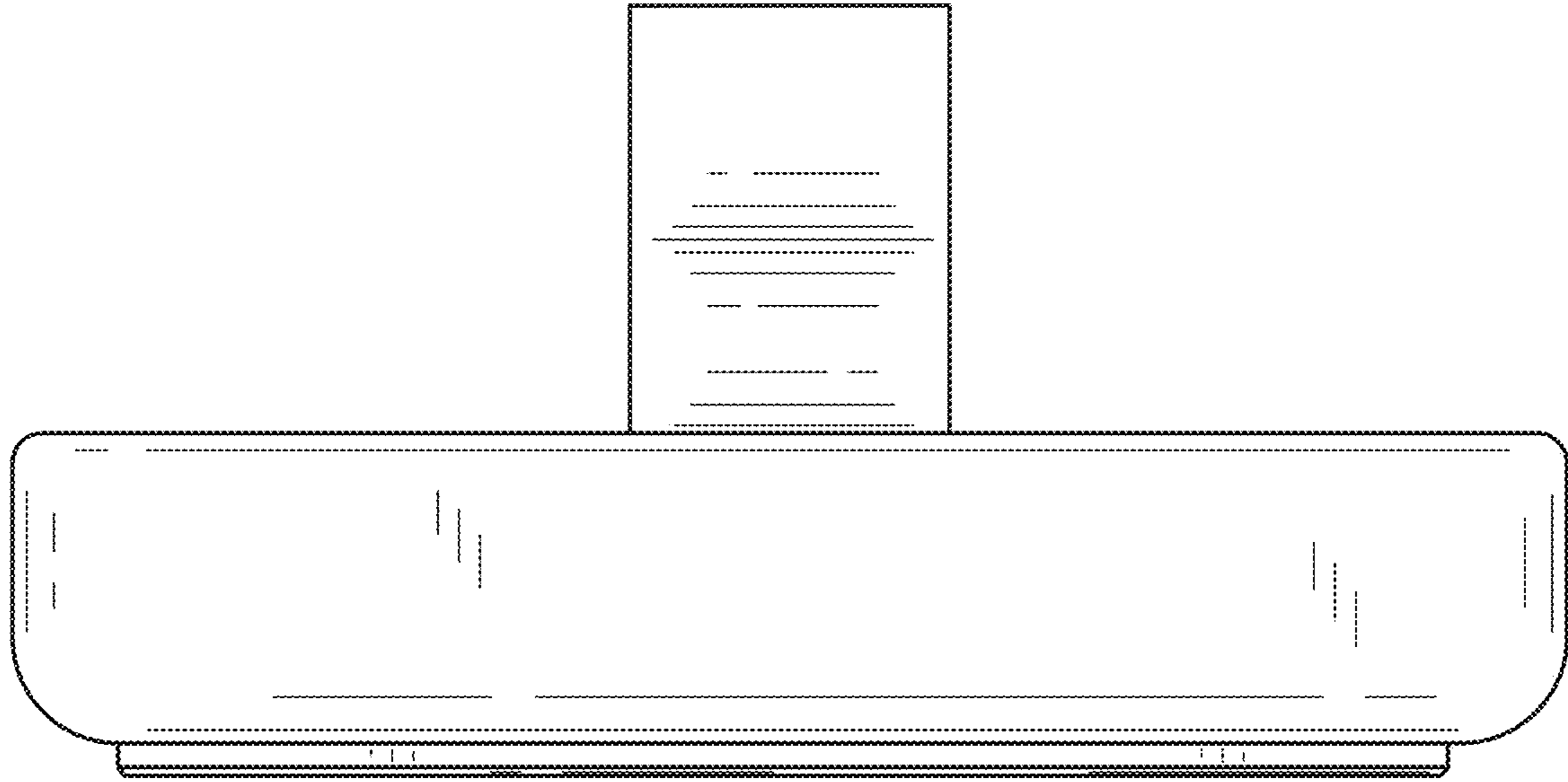


FIG. 5

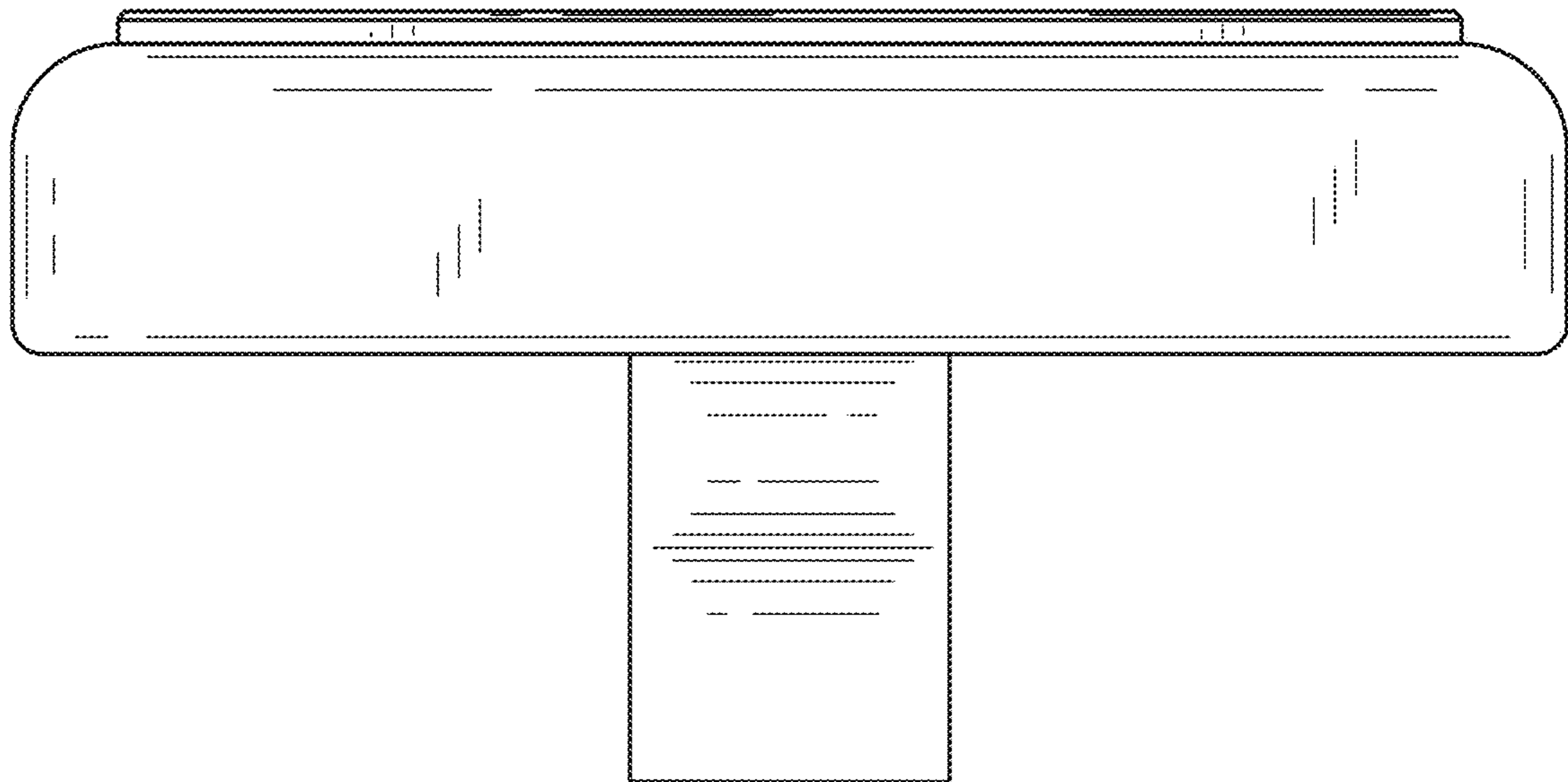


FIG. 6

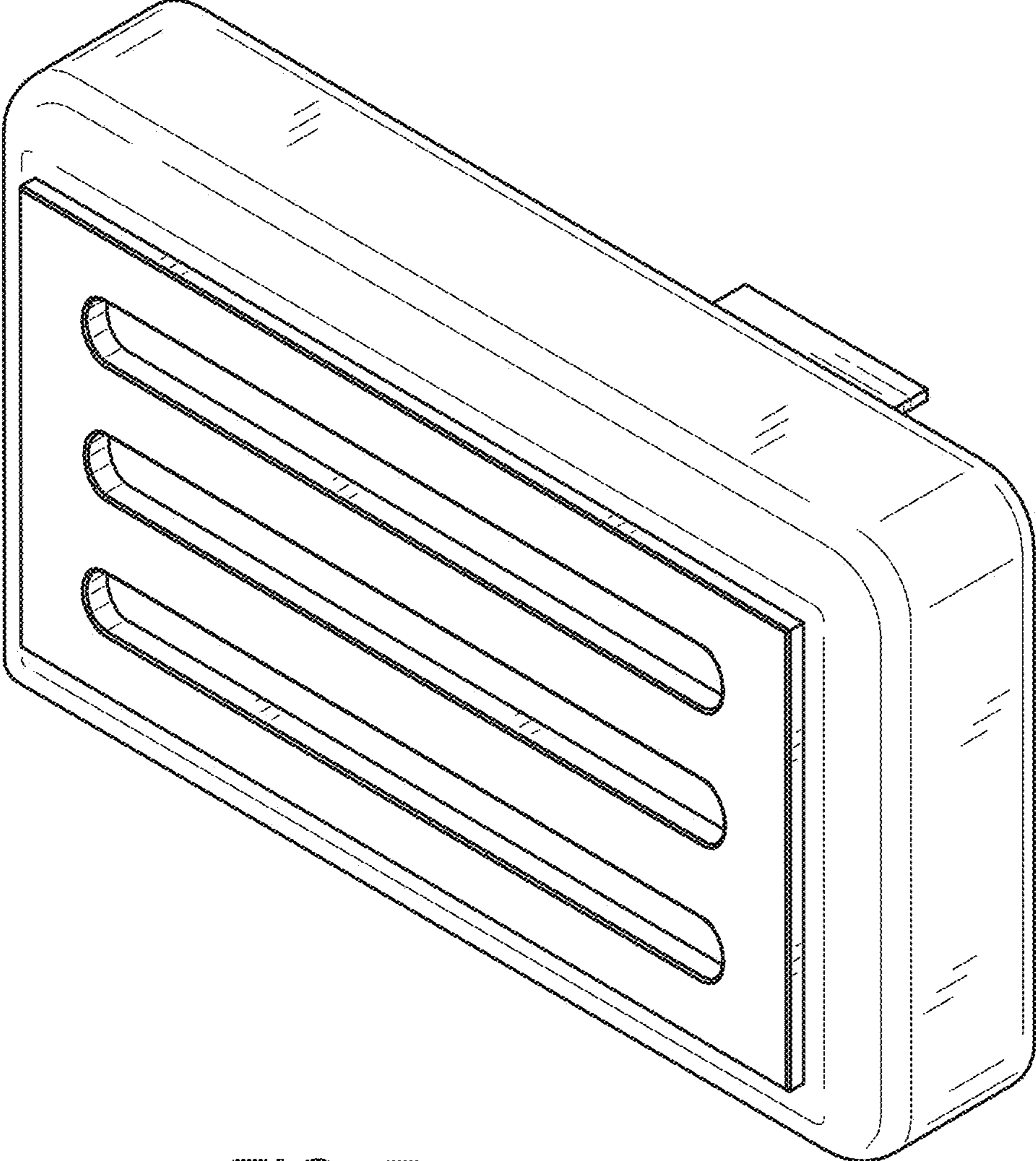


FIG. 7