



US00D912194S

(12) **United States Design Patent**
Lelio

(10) **Patent No.:** **US D912,194 S**

(45) **Date of Patent:** **** Mar. 2, 2021**

(54) **MODIFIED RODENT BLOCKER**

D794,742 S * 8/2017 DiBona D22/119
D802,707 S * 11/2017 Torra D22/120

(71) Applicant: **Chester F. Lelio**, Lincoln, CA (US)

* cited by examiner

(72) Inventor: **Chester F. Lelio**, Lincoln, CA (US)

Primary Examiner — Catherine R Oliver-Garcia
(74) *Attorney, Agent, or Firm* — Craft Chu PLLC;
Andrew W. Chu

(73) Assignee: **The Lelio Group, LLC**, Willis, TX (US)

(**) Term: **15 Years**

(57) **CLAIM**

(21) Appl. No.: **29/719,717**

The ornamental design for a modified rodent blocker, as shown and described.

(22) Filed: **Jan. 7, 2020**

(51) **LOC (13) Cl.** **22-06**

(52) **U.S. Cl.**
USPC **D22/120**

(58) **Field of Classification Search**
USPC D22/119–124; 43/58, 65, 78, 80, 121,
43/124, 131, 132.1
CPC A01M 23/00; A01M 23/08; A01M 23/24;
A01M 23/36; A01M 23/38
See application file for complete search history.

DESCRIPTION

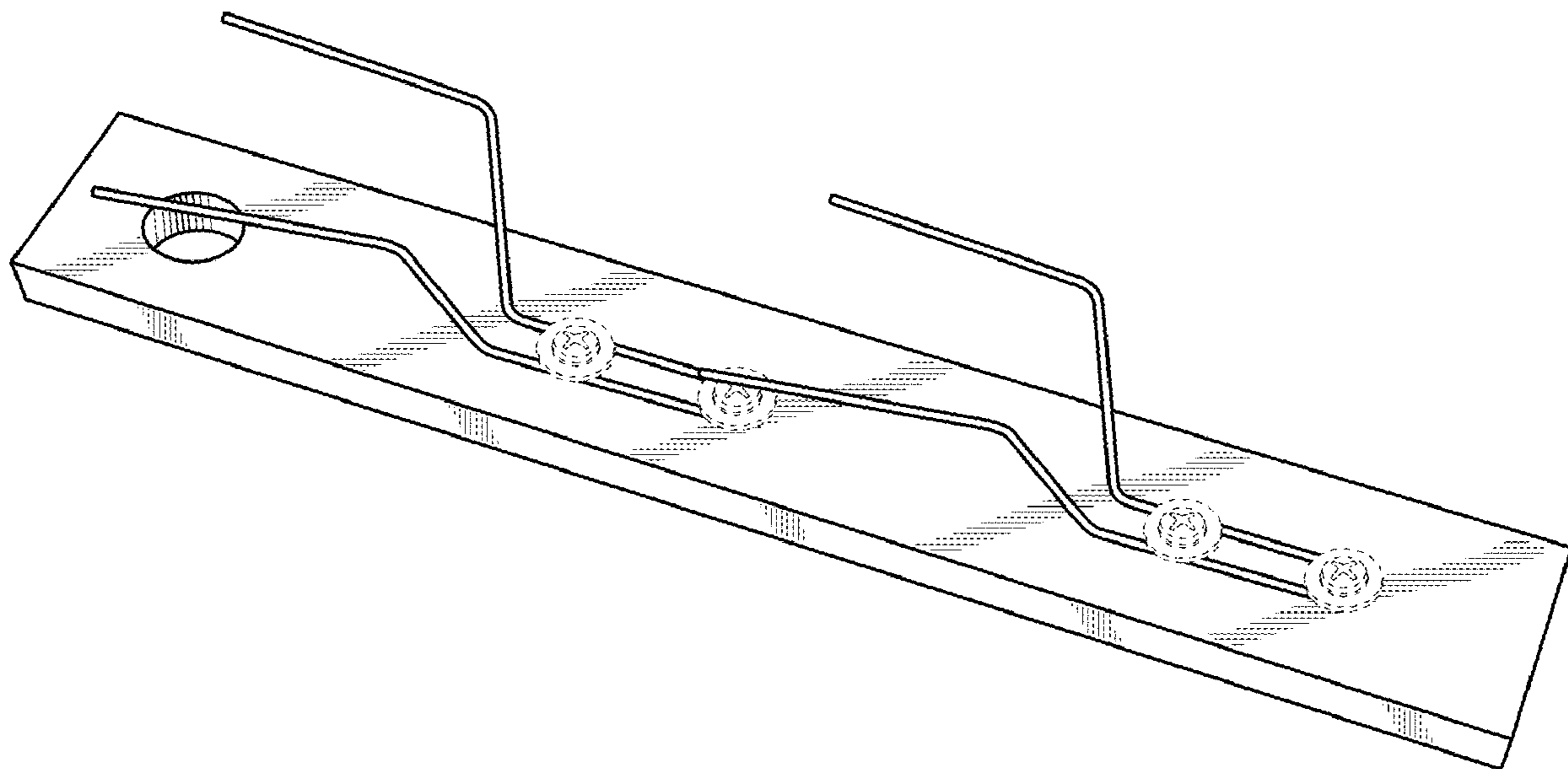
FIG. 1 is a front perspective view of the modified rodent blocker;
FIG. 2 is a top plan view of the invention;
FIG. 3 is a bottom plan view of the invention;
FIG. 4 is a front elevation view of the invention;
FIG. 5 is a rear elevation view of the invention;
FIG. 6 is a right end elevation view of the invention;
FIG. 7 is a left end elevation view of the invention; and,
FIG. 8 is a front elevation view of the invention in use.
The broken lines in the drawings represent unclaimed environmental subject matter and form no part of the claim.

(56) **References Cited**

U.S. PATENT DOCUMENTS

D631,936 S * 2/2011 Wright A01M 23/30
D22/119

1 Claim, 3 Drawing Sheets



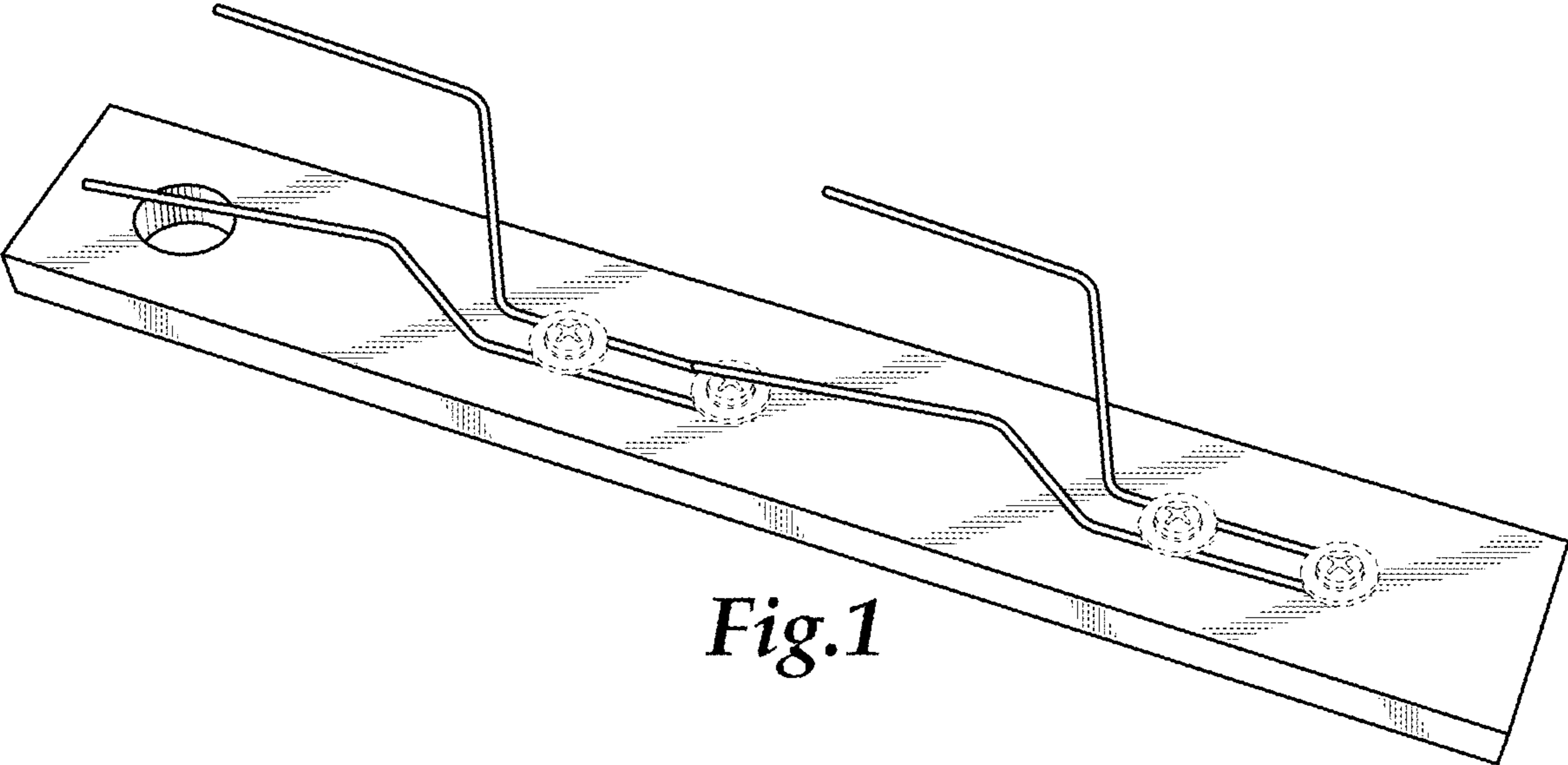


Fig.1

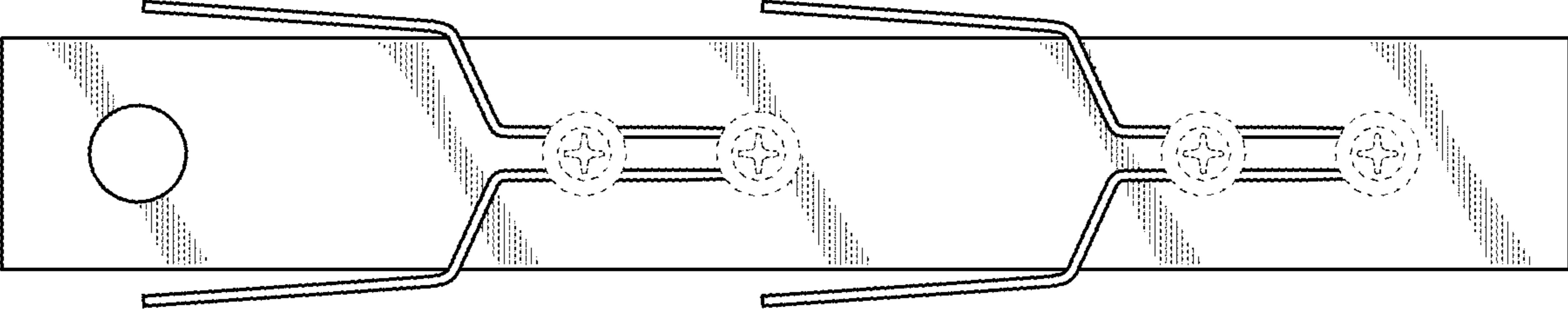


Fig.2

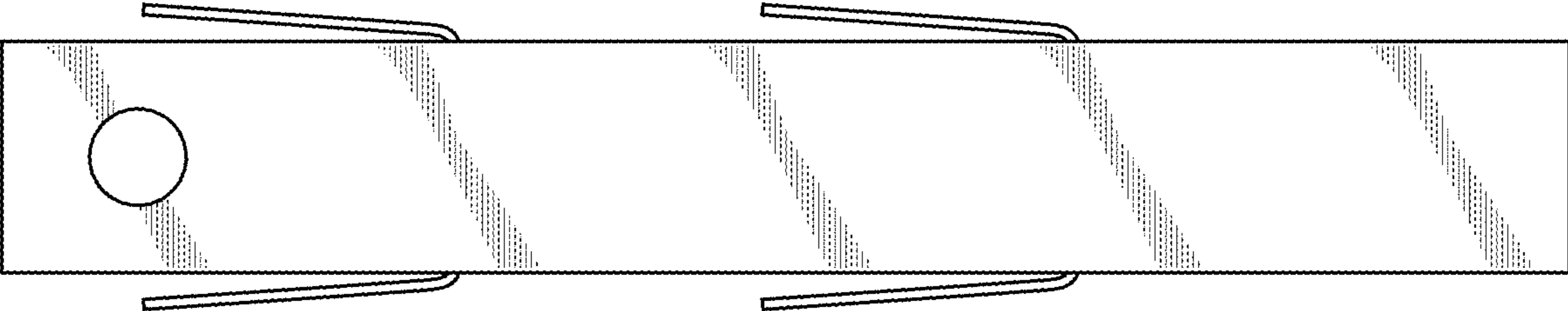


Fig.3

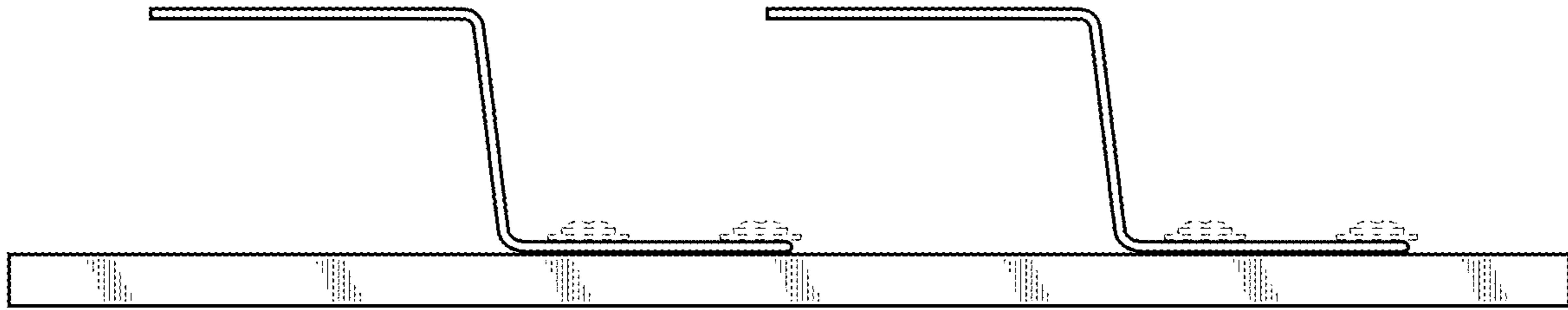


Fig.4

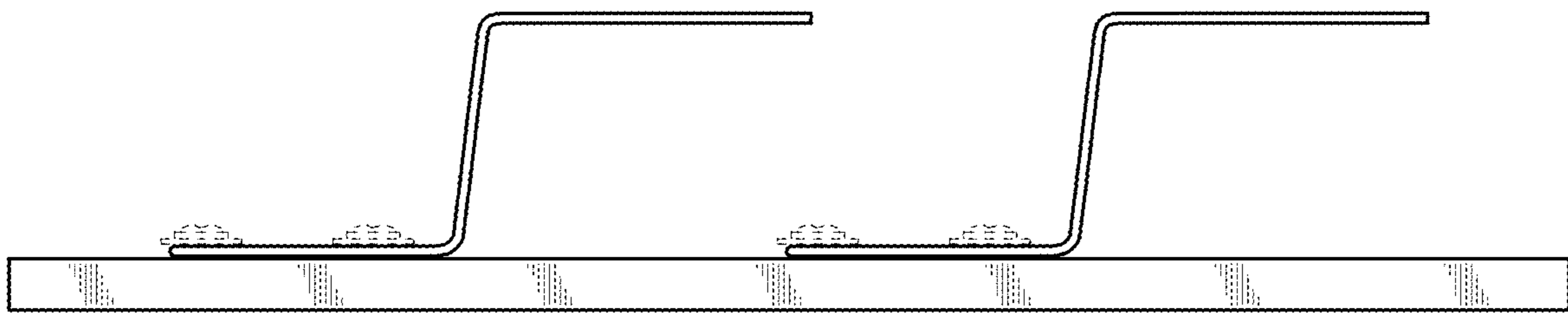


Fig.5

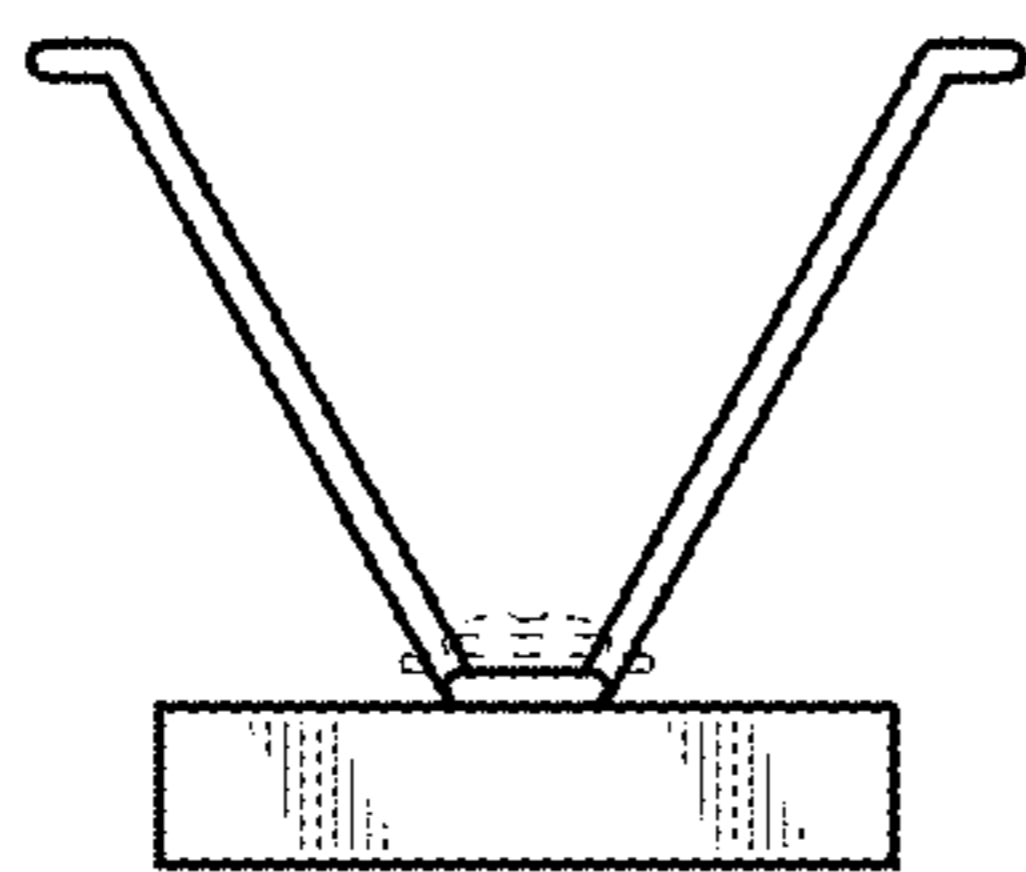


Fig.6

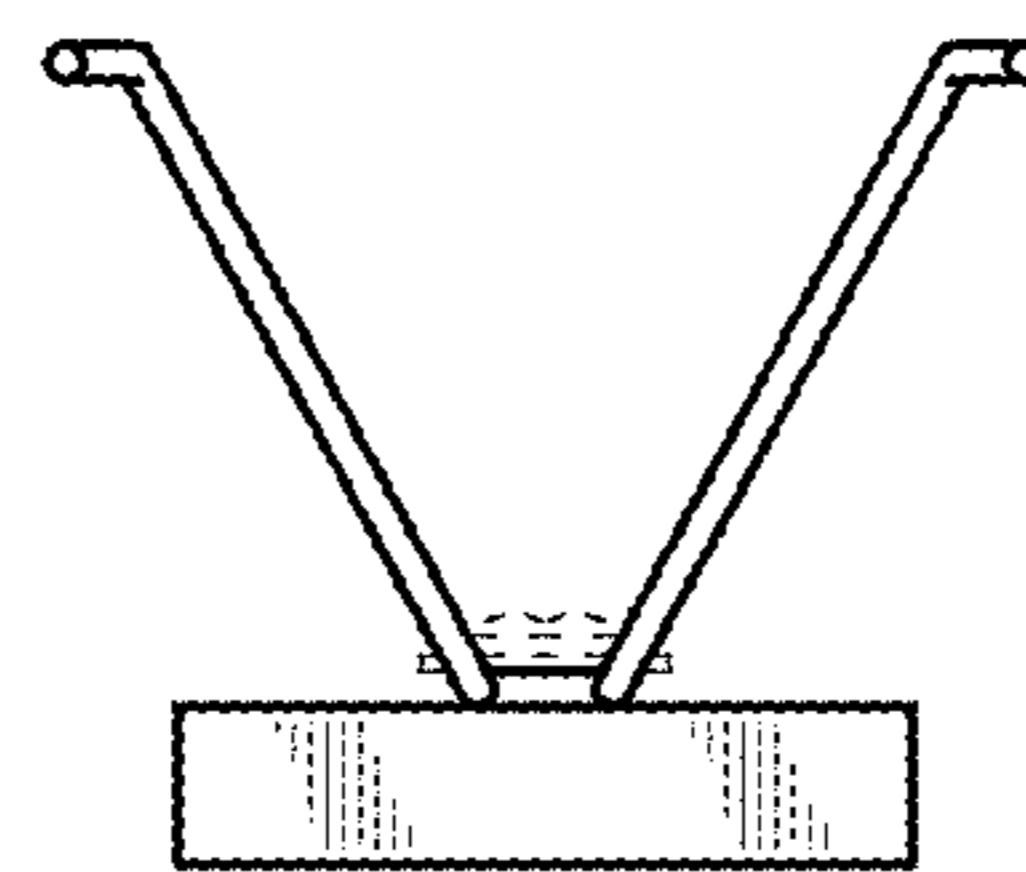


Fig.7

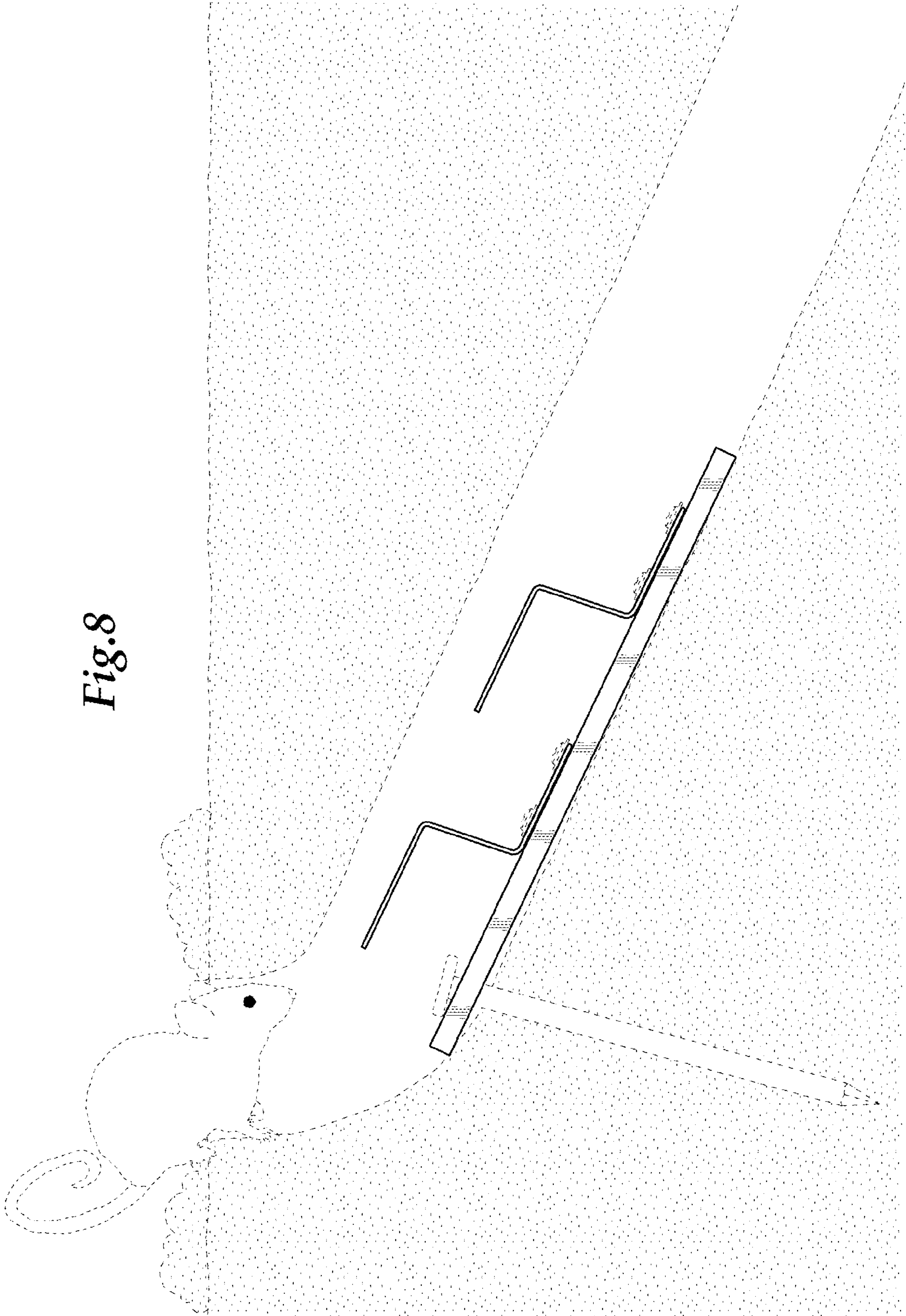


Fig.8