



US00D912193S

(12) **United States Design Patent**
Yang

(10) **Patent No.:** **US D912,193 S**
(45) **Date of Patent:** **** Mar. 2, 2021**

(54) **MOUSE SNAP TRAP**

(71) Applicant: **Qian Ming Yang**, Dongguan (CN)

(72) Inventor: **Qian Ming Yang**, Dongguan (CN)

(**) Term: **15 Years**

(21) Appl. No.: **29/719,983**

(22) Filed: **Jan. 9, 2020**

(51) **LOC (13) Cl.** **22-06**

(52) **U.S. Cl.**
USPC **D22/119**

(58) **Field of Classification Search**
USPC D22/119; D19/65; 43/60–61, 65–66,
43/81–82, 88, 90, 92, 112–113, 124;
24/510, 545

CPC A01M 23/00; A01M 23/30; A01M 31/002
See application file for complete search history.

(56) **References Cited**

U.S. PATENT DOCUMENTS

D441,828 S *	5/2001	Leyerle	D22/119
D616,958 S *	6/2010	Huang	D22/119
D671,614 S *	11/2012	Dobias	D22/119
D676,098 S *	2/2013	Huang	D22/119
8,490,322 B2 *	7/2013	Dobias	A01M 23/30
				43/81
D713,489 S *	9/2014	Dobias	D22/119
8,959,829 B2 *	2/2015	Kay	A01M 23/30
				43/96
D764,010 S *	8/2016	Tian	D22/119

D770,006 S *	10/2016	Tian	D22/119
D904,551 S *	12/2020	Haney	D22/119
2018/0271083 A1 *	9/2018	Crezee	A01M 31/002

OTHER PUBLICATIONS

Mouse Trap, Mouse Traps That Work Small Mice Trap Outdoor Indoor Best Snap Traps for Mouse/Mice Safe and Reusable 6 Pack Quick Kill Mice Traps. <https://www.walmart.com/ip/Mouse-Trap-Mouse-Traps-That-Work-Small-Mice-Trap-Outdoor-Indoor-Best-Snap-Traps-for-Mouse-Mice-Safe-and-Reusable-6-Pack-Quick-Kill> (Year: 2020).*

* cited by examiner

Primary Examiner — Catherine R Oliver-Garcia

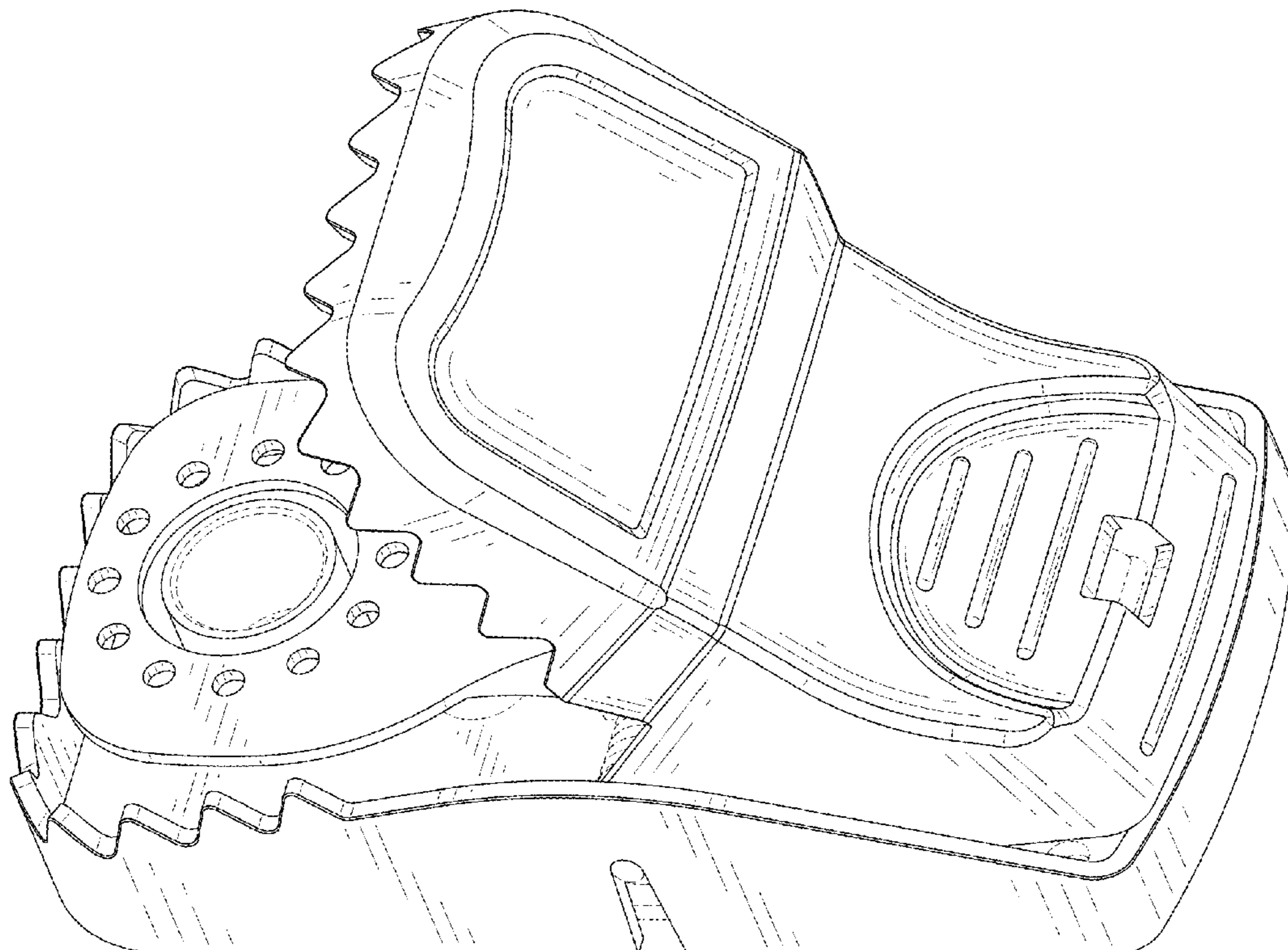
(57) **CLAIM**

The ornamental design for a mouse snap trap, as shown and described.

DESCRIPTION

FIG. 1 is a perspective view of a mouse snap trap showing my new design;
FIG. 2 is another perspective view thereof;
FIG. 3 is a front elevational view thereof;
FIG. 4 is a rear elevational view thereof;
FIG. 5 is a left side elevational view thereof;
FIG. 6 is a right side elevational view thereof;
FIG. 7 is a top plan view thereof;
FIG. 8 is a bottom plan view thereof; and,
FIG. 9 is a perspective view of the mouse snap trap where the mouse snap trap is in a closed state.
The broken lines in the drawings depict portions of the mouse snap trap that form no part of the claimed design.

1 Claim, 9 Drawing Sheets



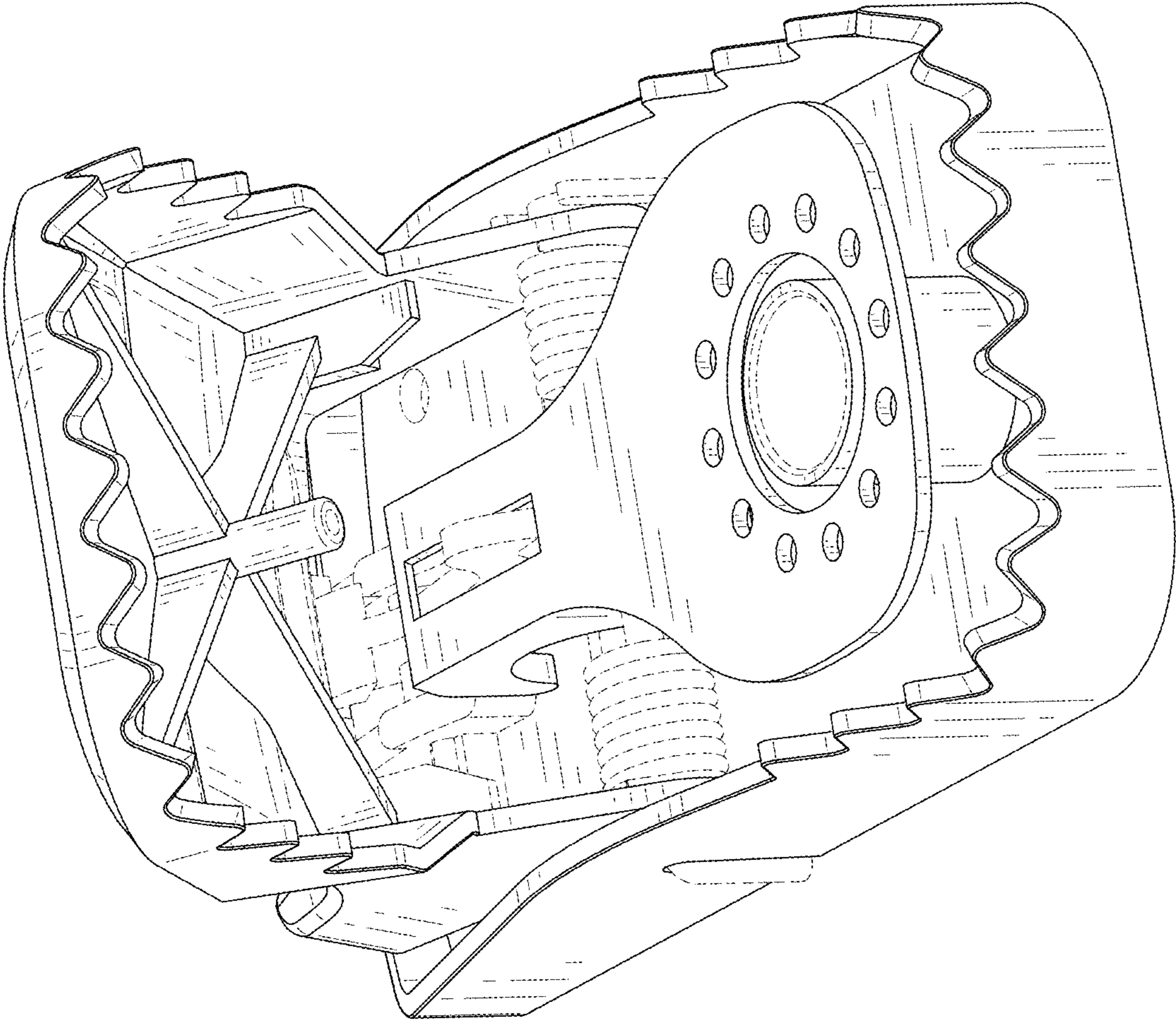


FIG. 1

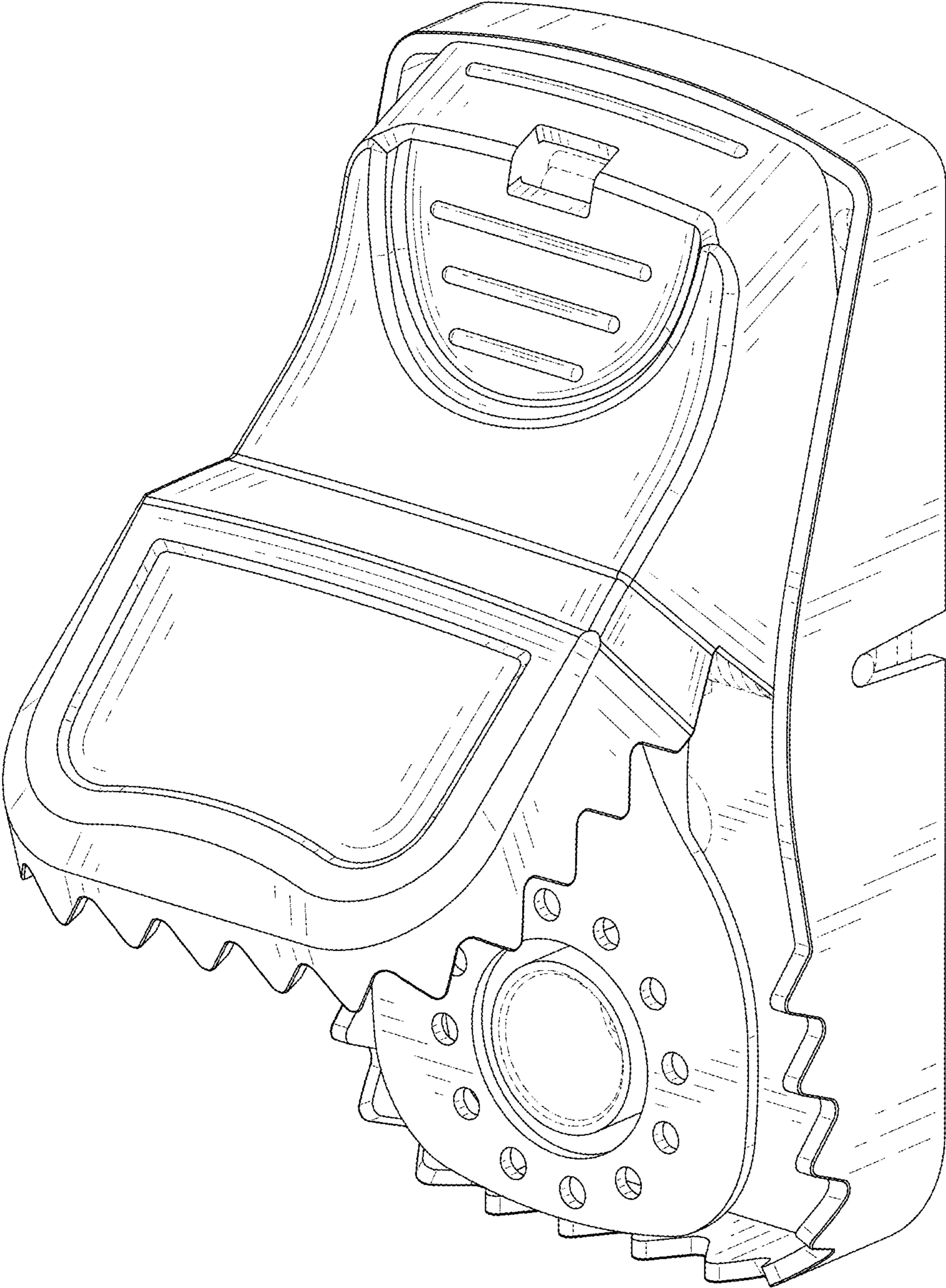


FIG. 2

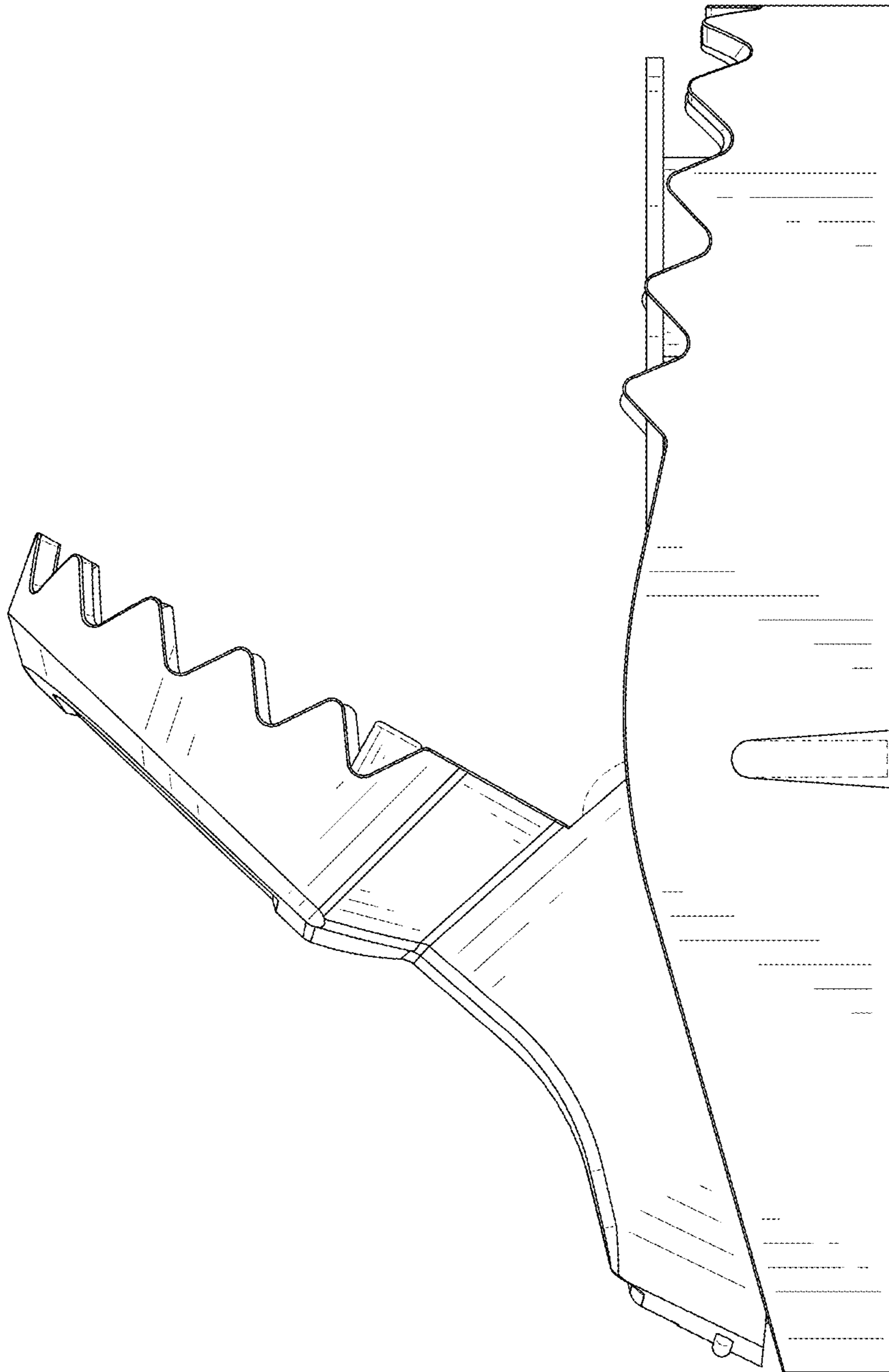


FIG. 3

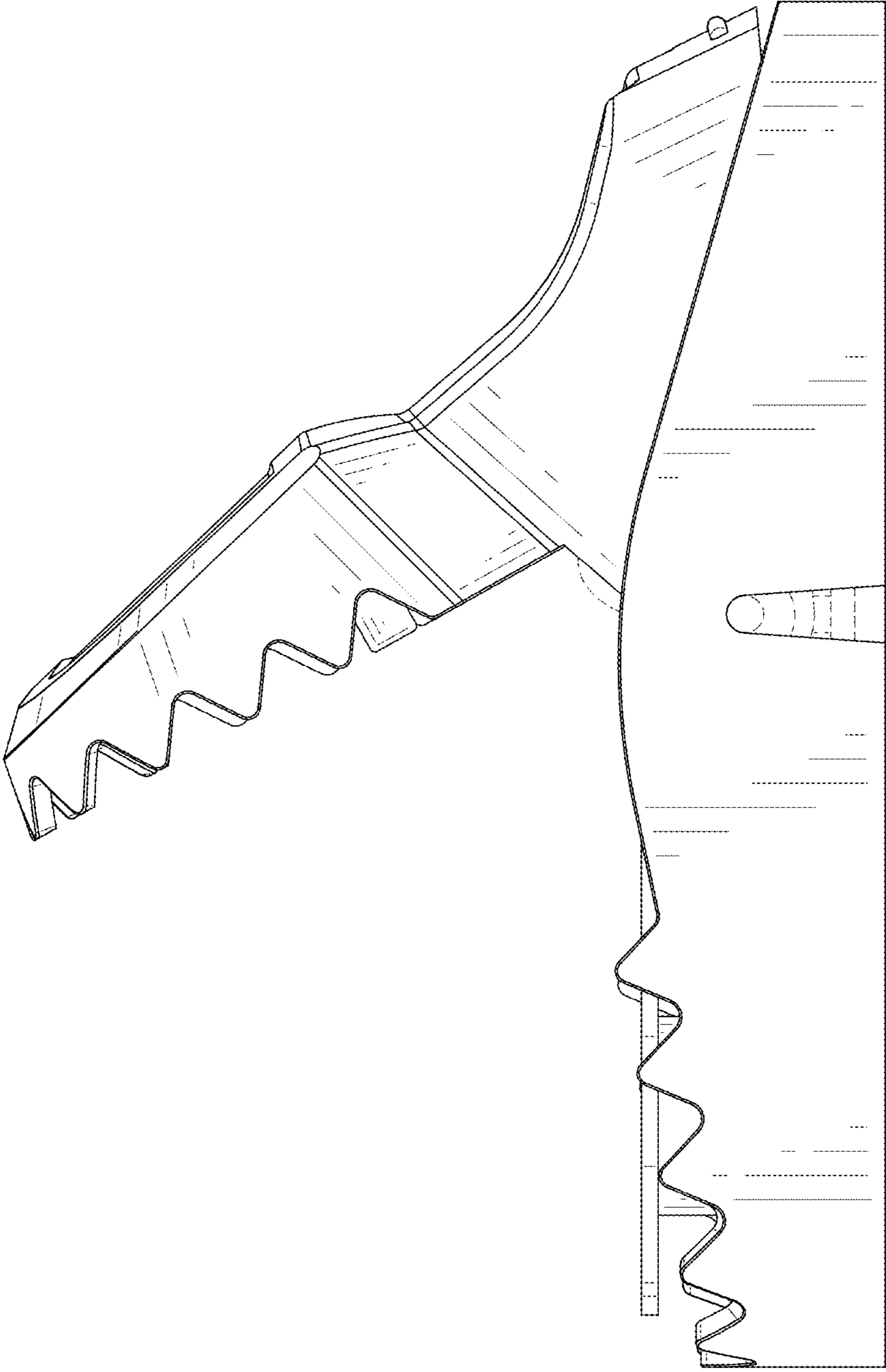


FIG. 4

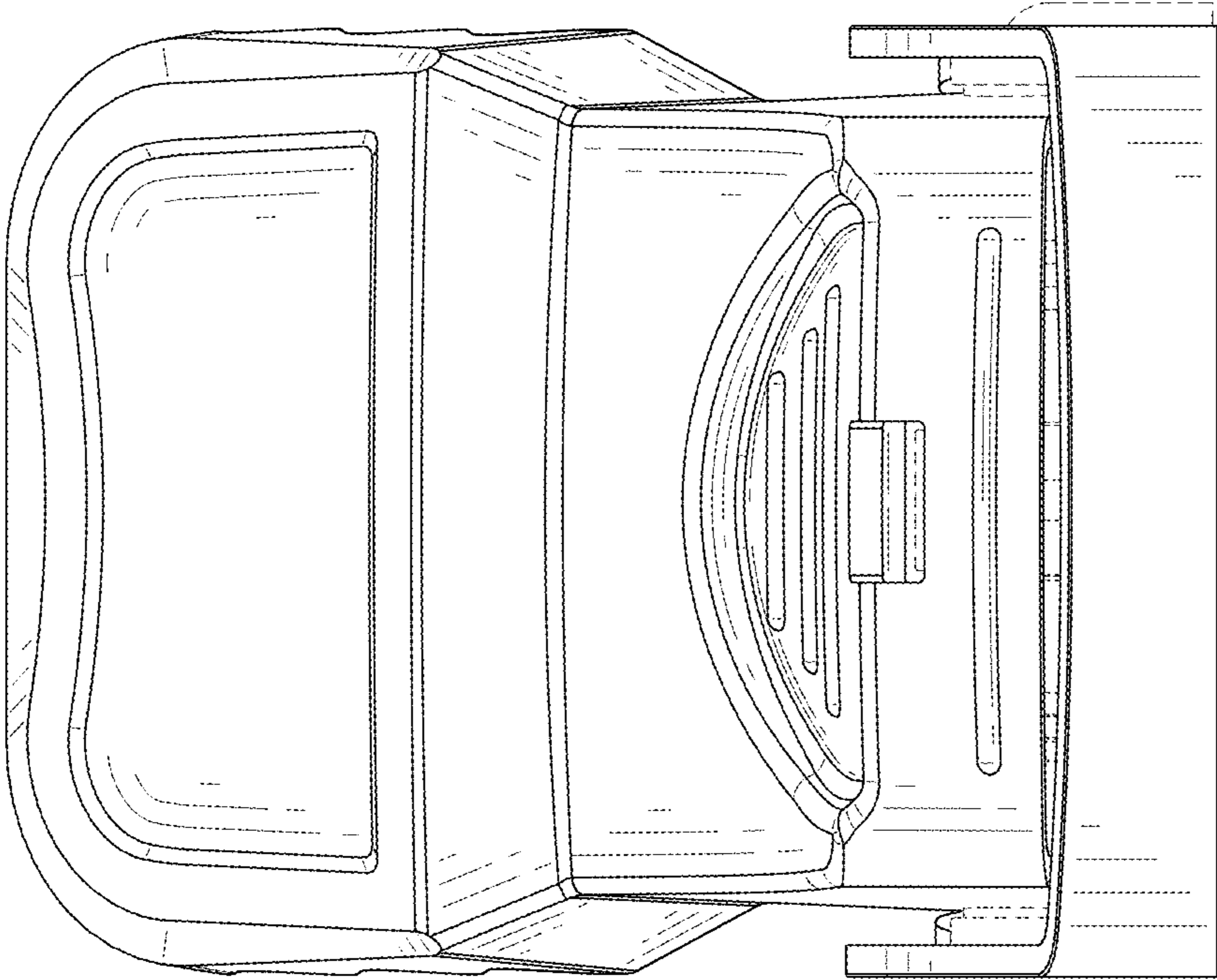


FIG. 5

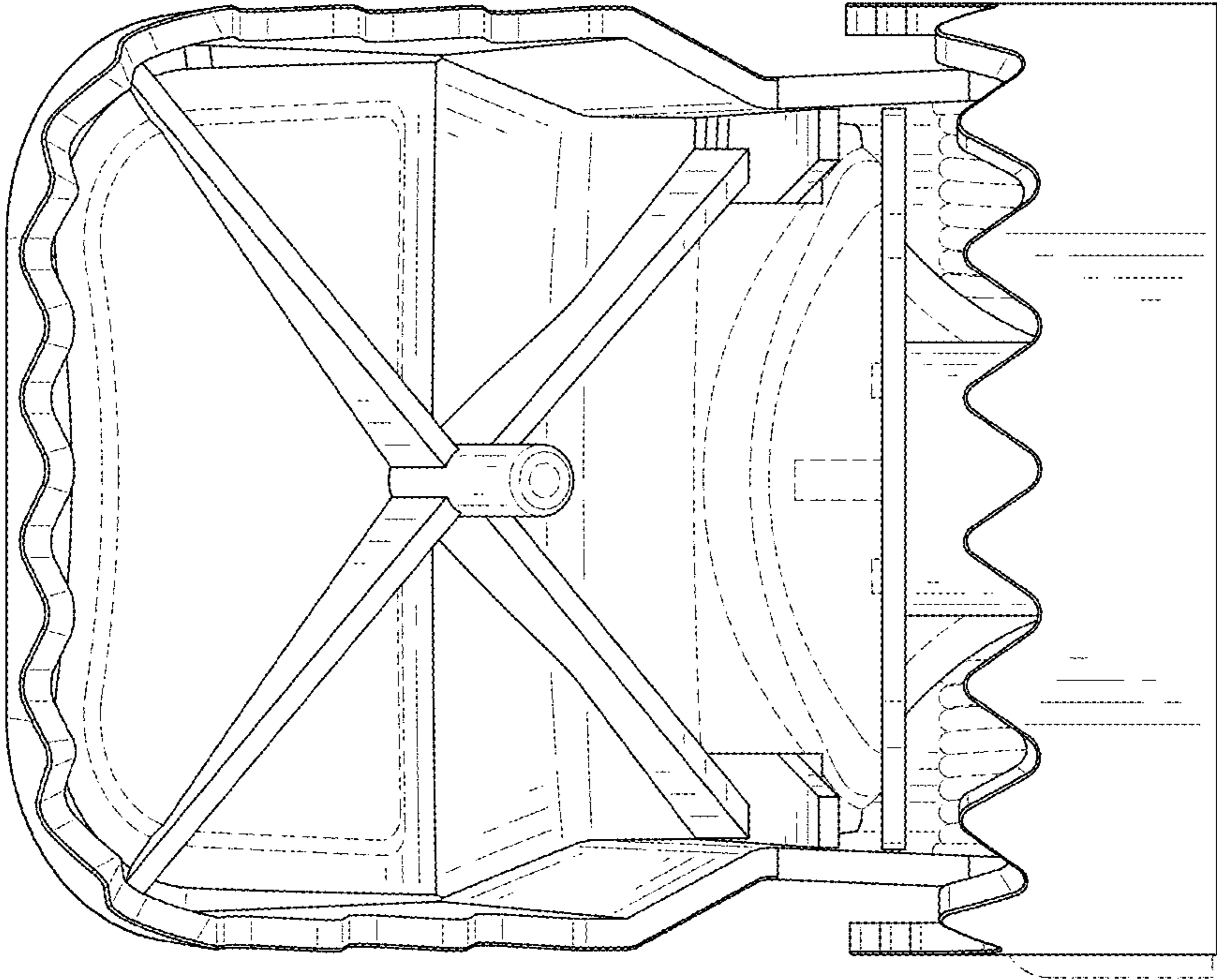


FIG. 6

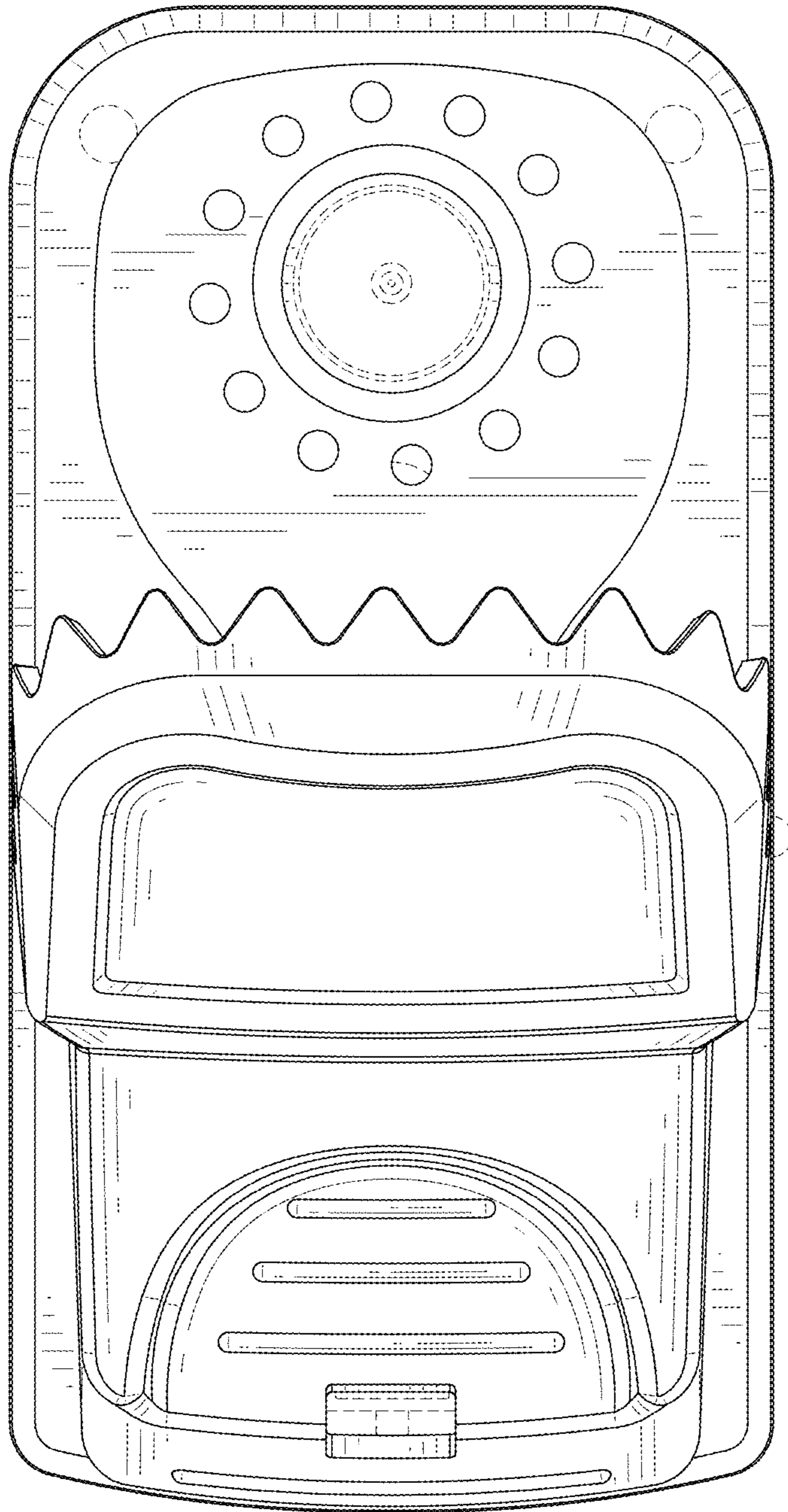


FIG. 7

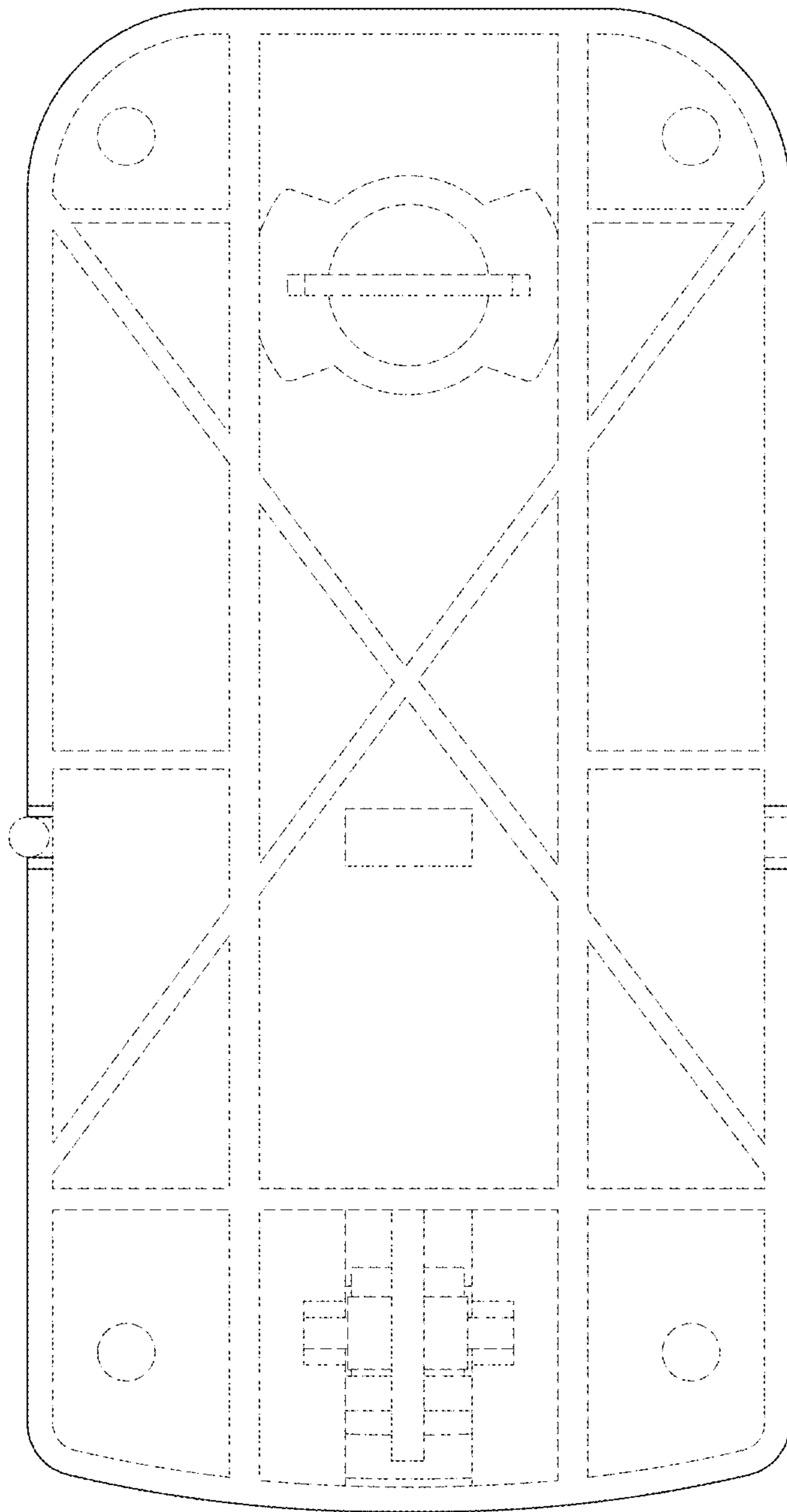


FIG. 8

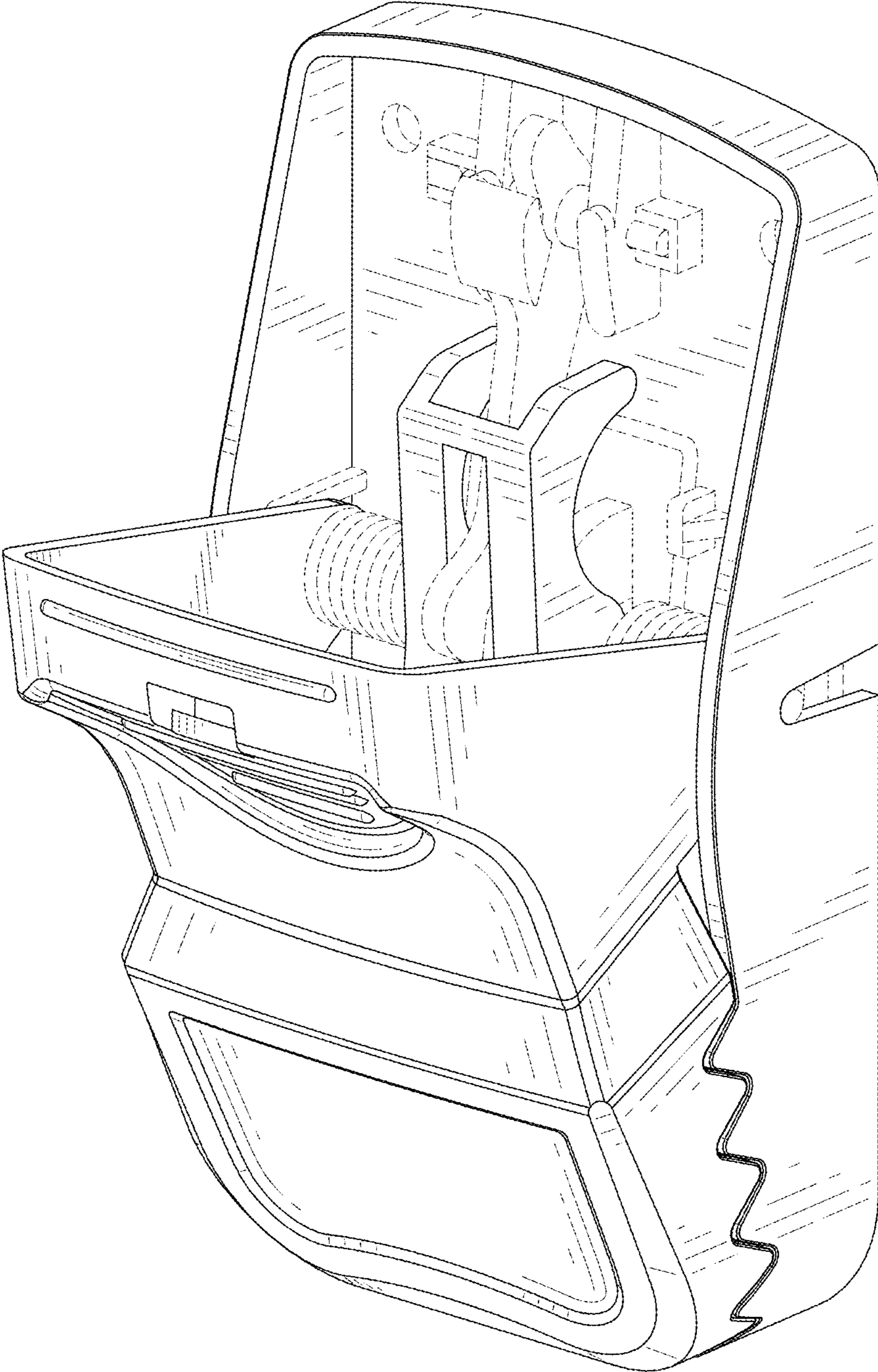


FIG. 9