



US00D912192S

(12) **United States Design Patent** (10) **Patent No.:** **US D912,192 S**
Baker (45) **Date of Patent:** **** Mar. 2, 2021**

(54) **ENCLOSURE FOR A MOUSETRAP**

(71) Applicant: **Jay Baker**, Mayville, NY (US)

(72) Inventor: **Jay Baker**, Mayville, NY (US)

(**) Term: **15 Years**

(21) Appl. No.: **29/717,596**

(22) Filed: **Dec. 18, 2019**

(51) **LOC (13) Cl.** **22-06**

(52) **U.S. Cl.**
USPC **D22/119**

(58) **Field of Classification Search**

USPC D22/119-120; D19/75-76; D3/294;
43/58, 60-62, 64-67, 69-70, 81, 81.5, 82,
43/83, 83.5, 121, 124
CPC A01M 23/00; A01M 23/02; A01M 23/08;
A01M 23/16; A01M 23/20

See application file for complete search history.

(56) **References Cited**

U.S. PATENT DOCUMENTS

D423,631 S *	4/2000	Shultz	D22/119
D690,789 S *	10/2013	Wauson	D22/119
D884,824 S *	5/2020	Baker	D22/119
2012/0180378 A1 *	7/2012	Studer	A01M 23/08 43/60

* cited by examiner

Primary Examiner — Catherine R Oliver-Garcia

(74) *Attorney, Agent, or Firm* — The Bilicki Law Firm,
P.C.; Carl A. Hjort, III

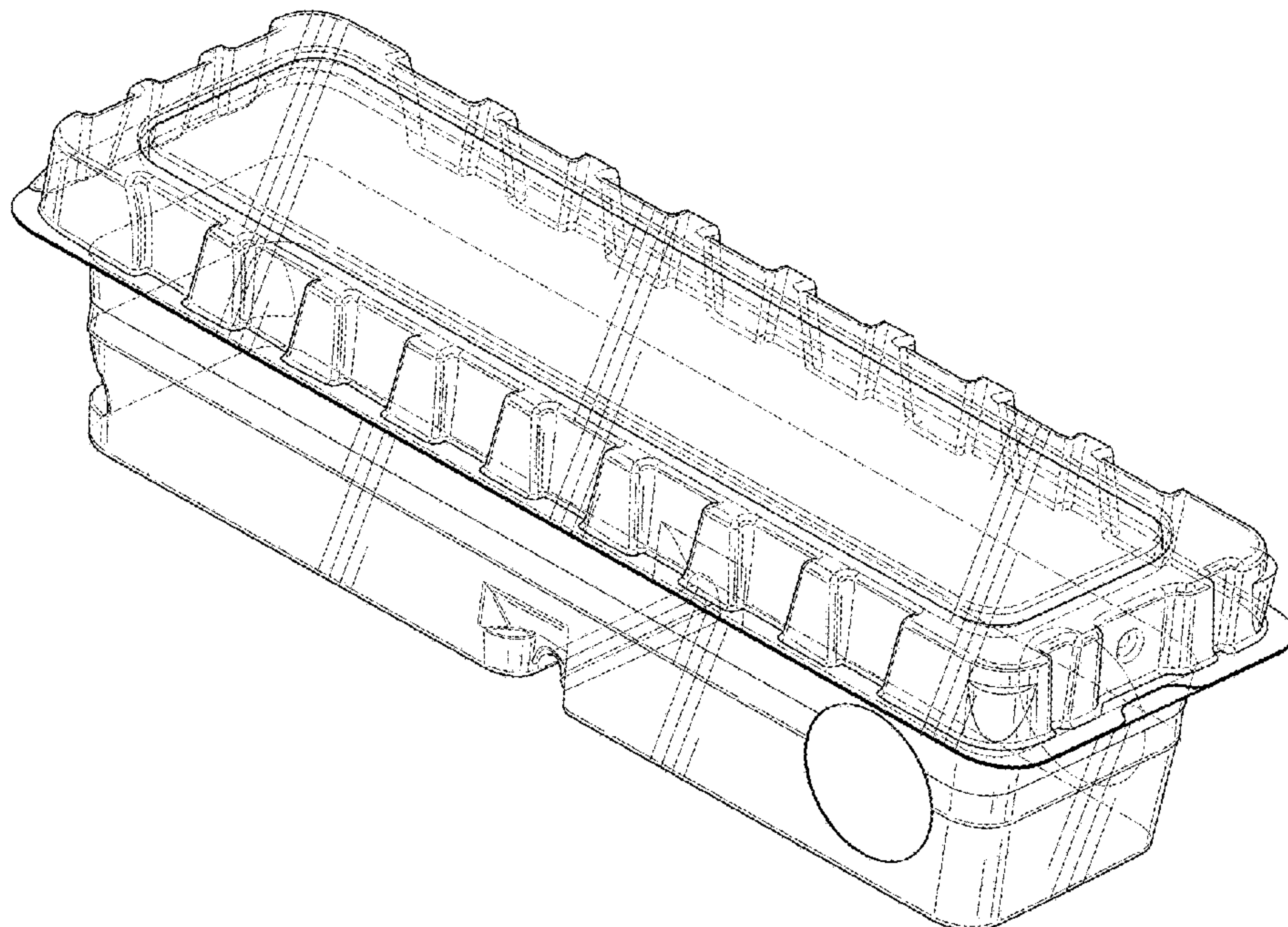
(57) **CLAIM**

The ornamental design for an enclosure for a mousetrap, as shown and described.

DESCRIPTION

FIG. 1 is a top perspective view of an enclosure for a mousetrap according to the present design;
FIG. 2 is a top view of an enclosure for a mousetrap according to the present design;
FIG. 3 is a bottom view of an enclosure for a mousetrap according to the present design;
FIG. 4 is a left side view of an enclosure for a mousetrap according to the present design;
FIG. 5 is a right side view of an enclosure for a mousetrap according to the present design;
FIG. 6 is a front view of an enclosure for a mousetrap according to the present design;
FIG. 7 is a rear view of an enclosure for a mousetrap according to the present design;
FIG. 8 is a top perspective view of an enclosure for a mousetrap according to the present design showing the position of the mousetrap, the elements shown in dashed lines are for illustration purposes only and form no part of the present invention;
FIG. 9 is a top perspective view of an enclosure for a mousetrap, showing the lid in an open configuration;
FIG. 10 is an enlarged view of the encircled portion in FIG. 9;
FIG. 11 is a bottom perspective view of the enclosure for a mousetrap, showing the lid in a partially open configuration;
FIG. 12 is an enlarged view of the encircled portion in FIG. 11;
FIG. 13 is a top perspective view of an enclosure for a mousetrap, showing the lid in a partially open configuration; and,
FIG. 14 is an enlarged view of the encircled portion in FIG. 13.

1 Claim, 13 Drawing Sheets



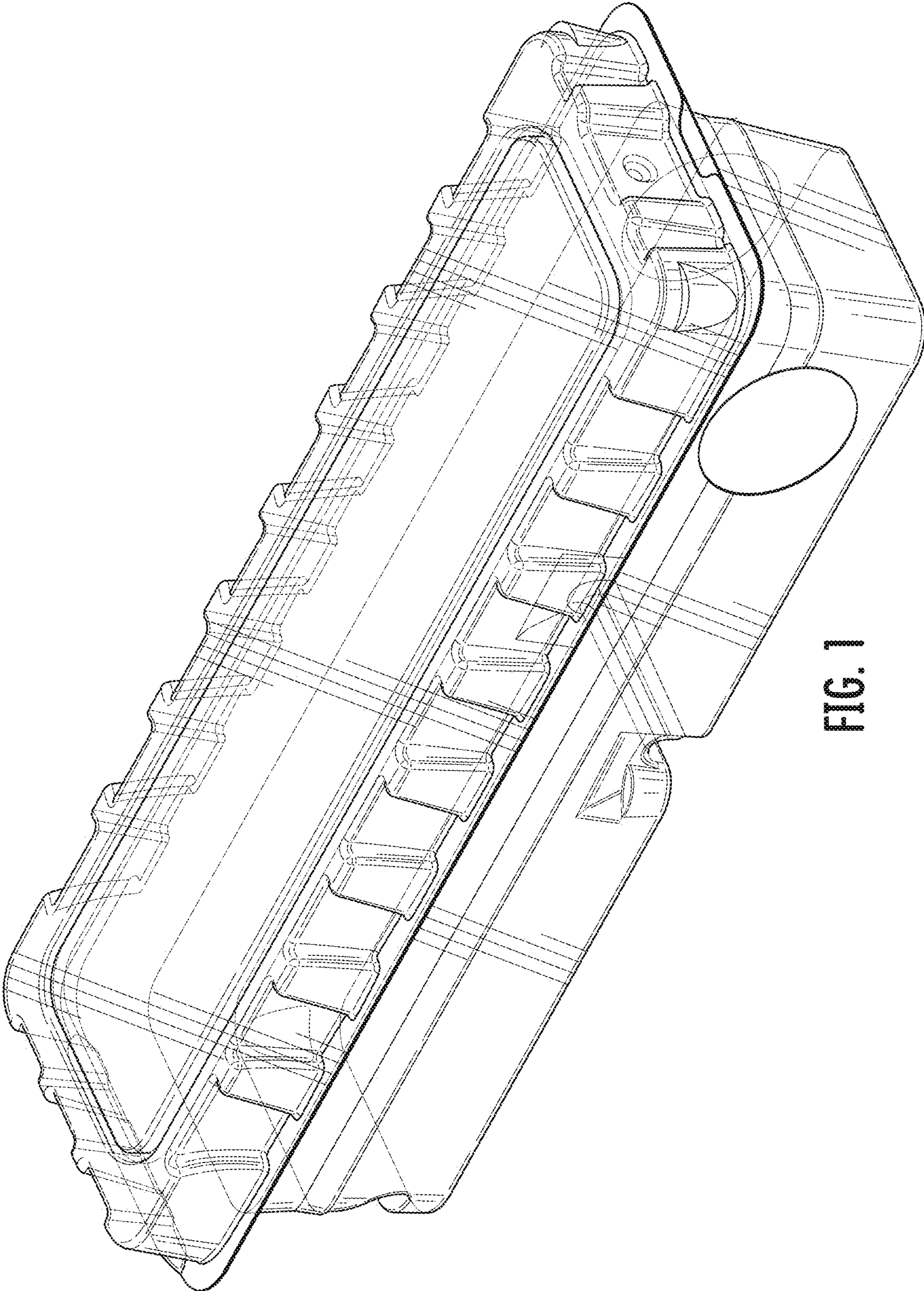


FIG. 1

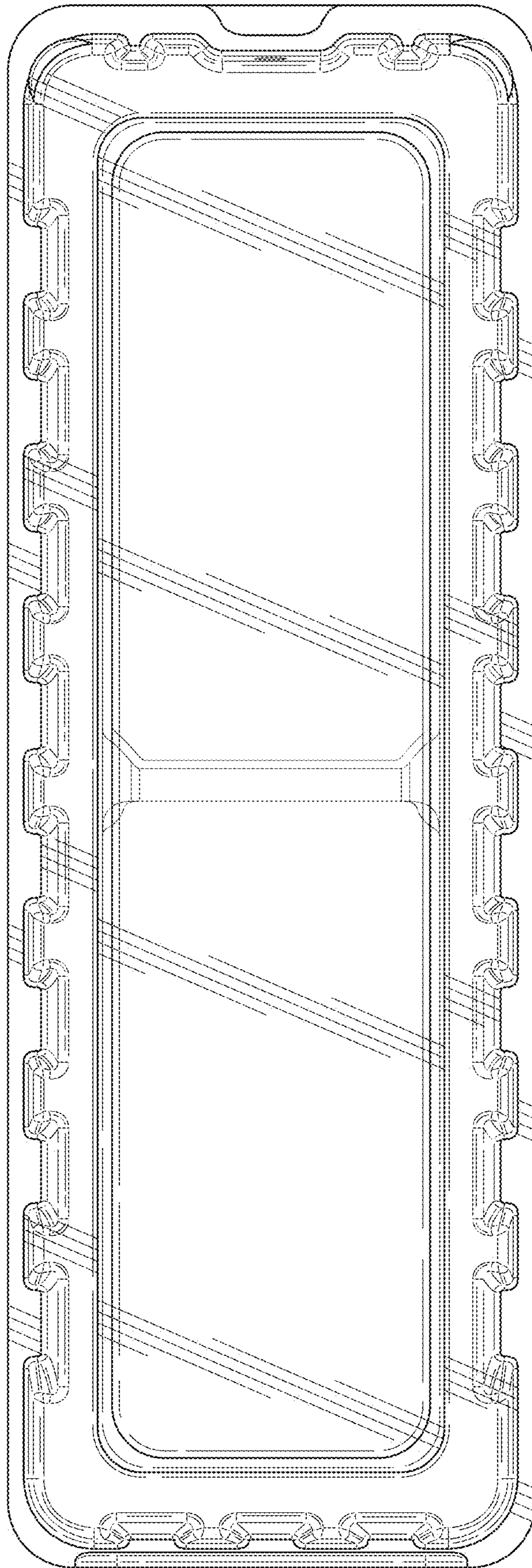


FIG. 2

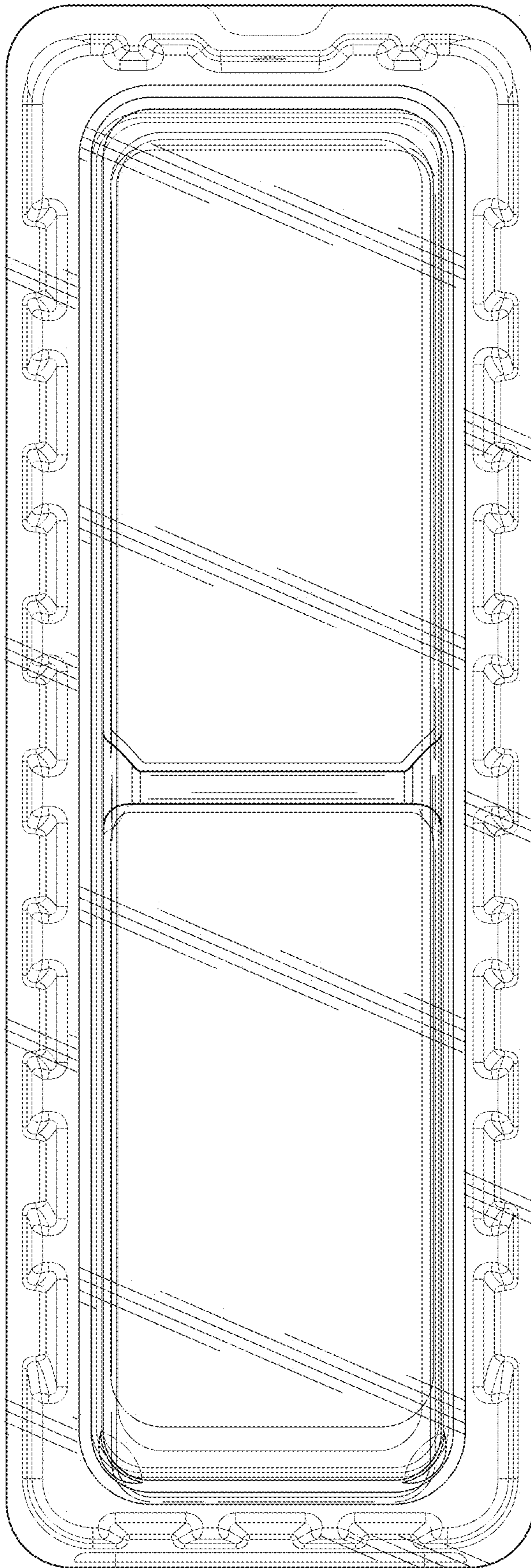


FIG. 3

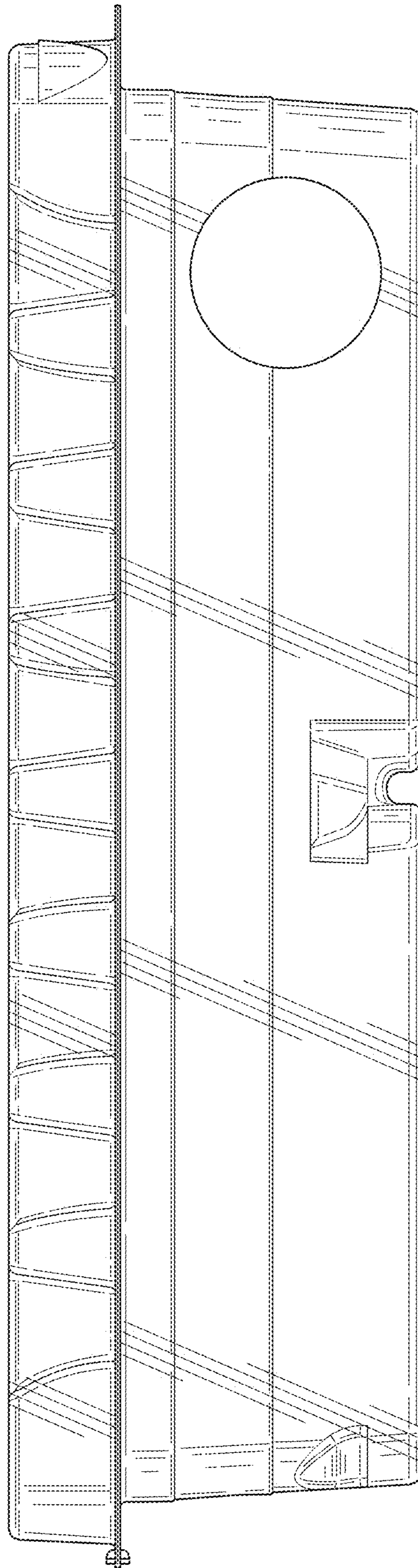


FIG. 4

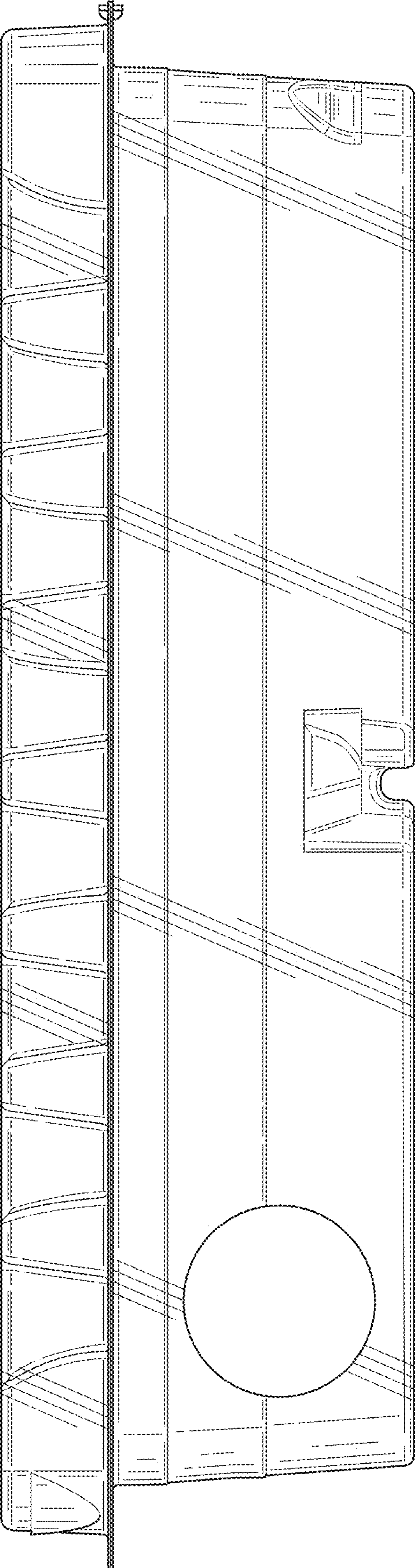


FIG. 5

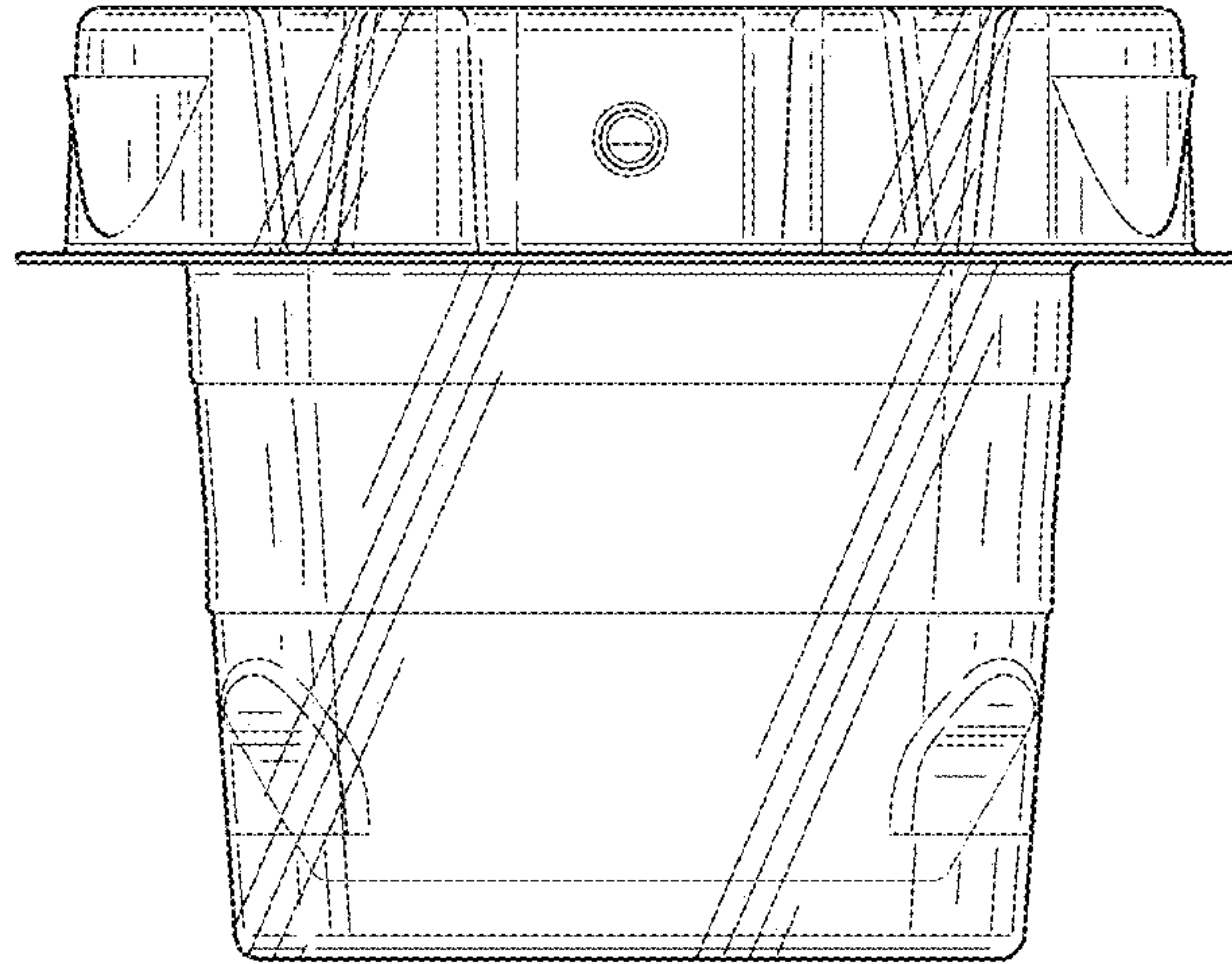


FIG. 6

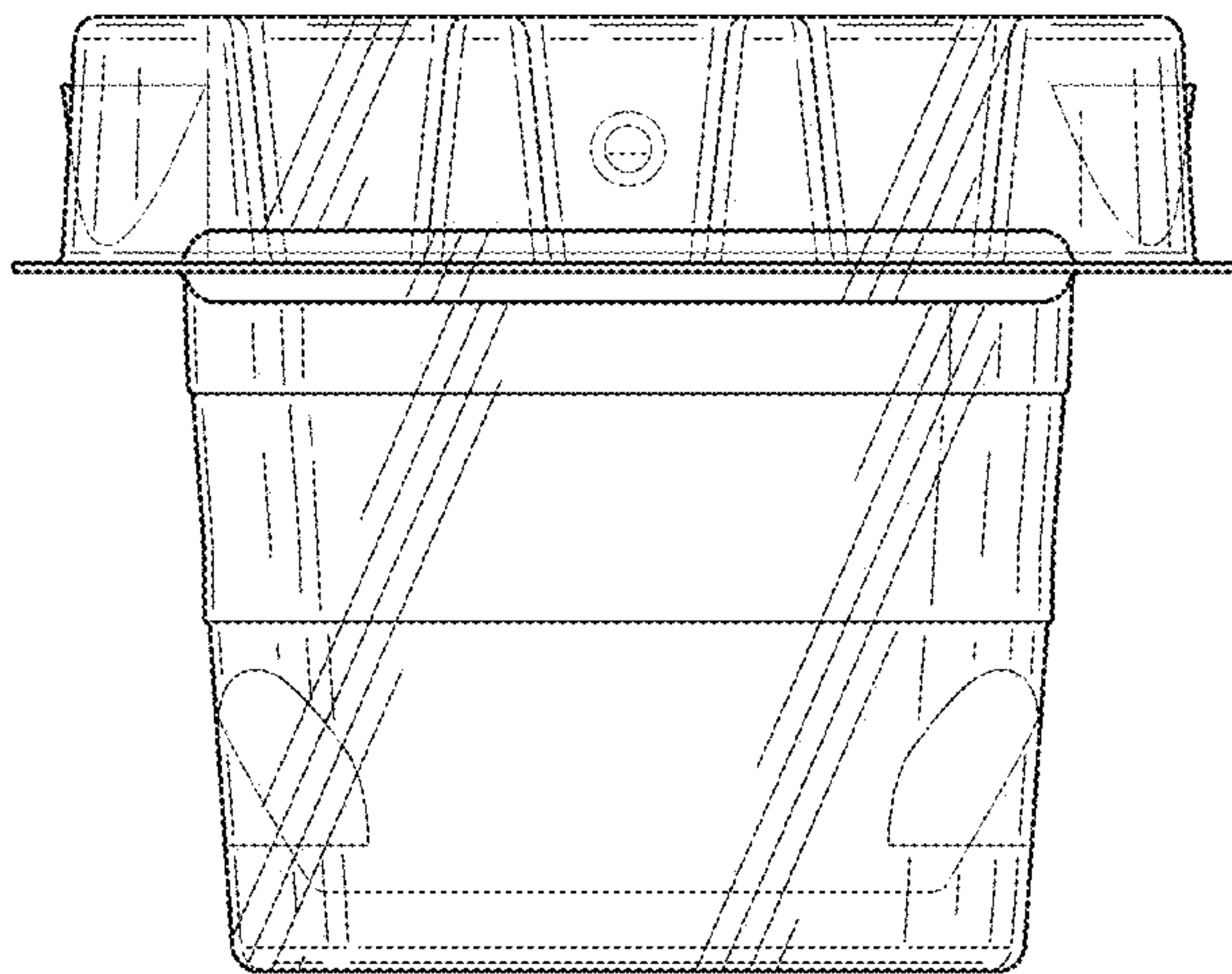


FIG. 7

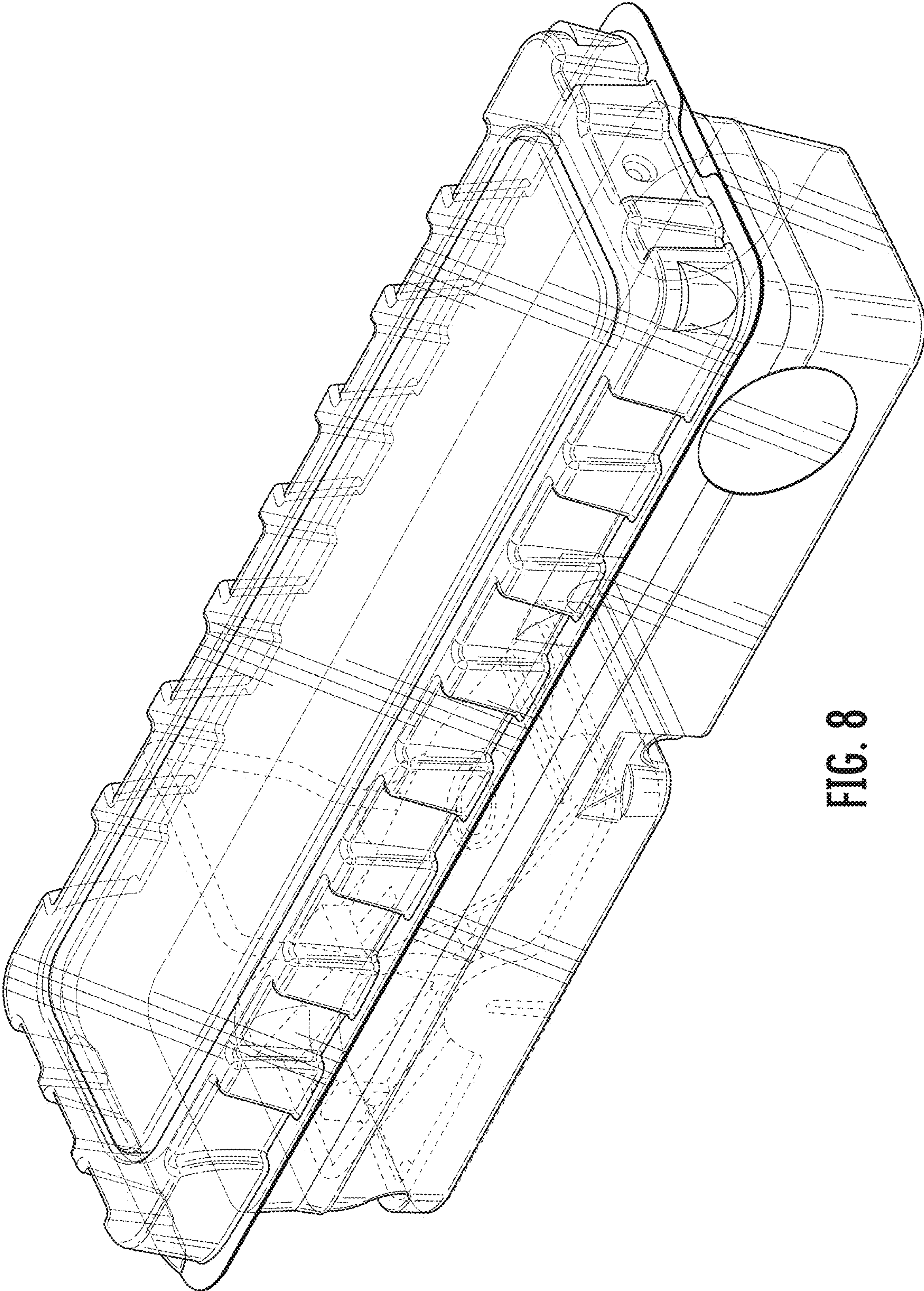


FIG. 8

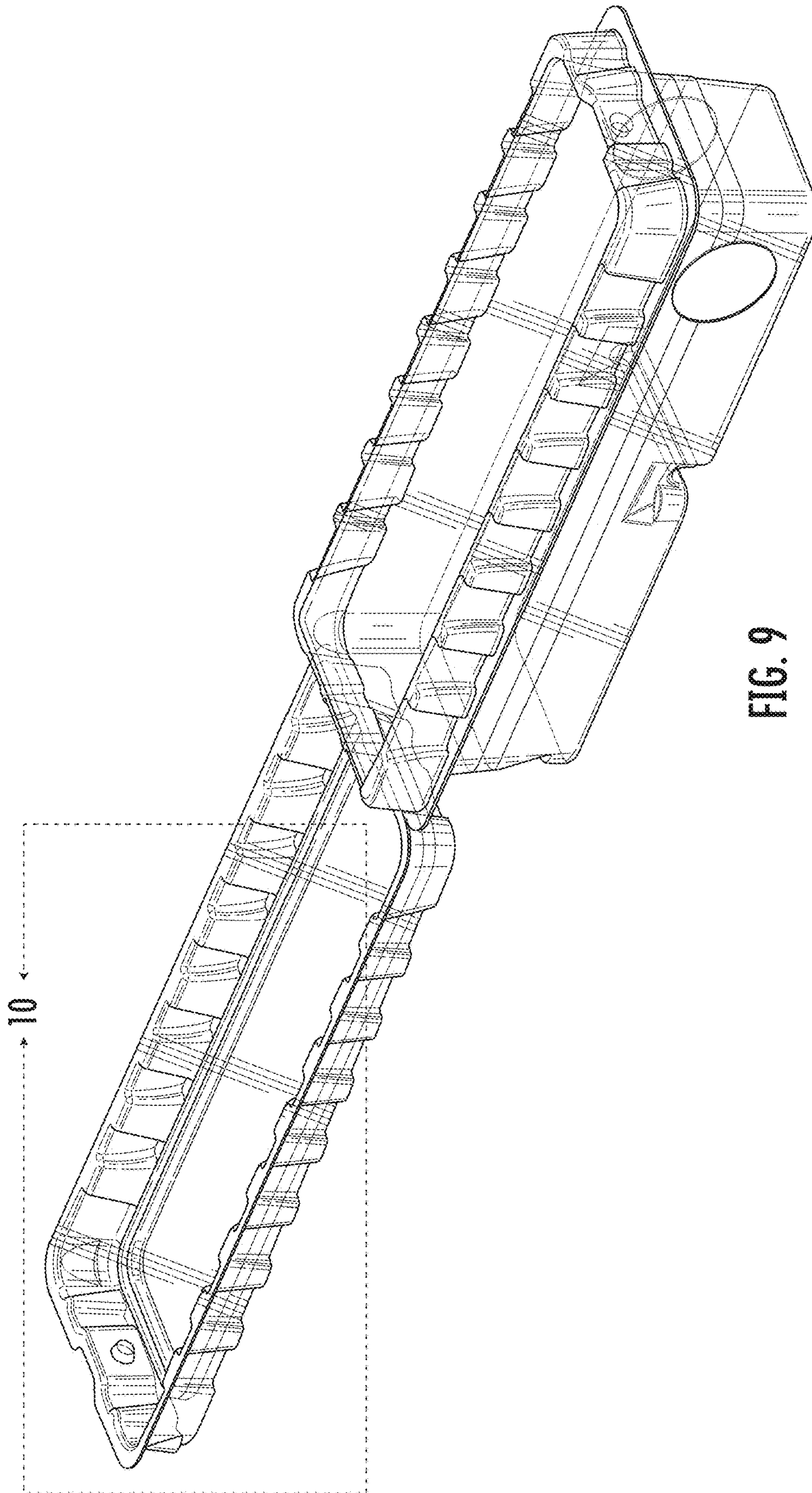


FIG. 9

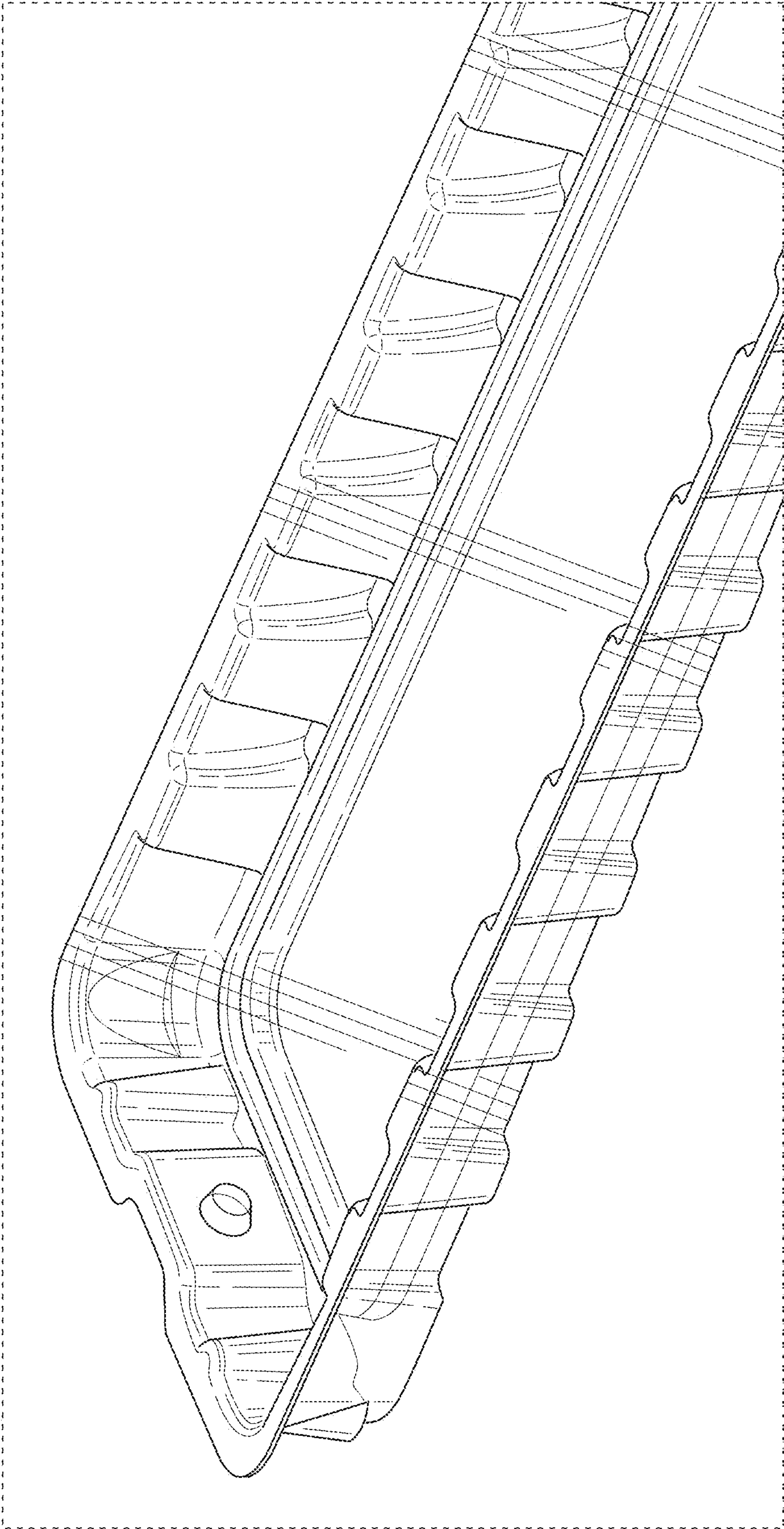


FIG. 10

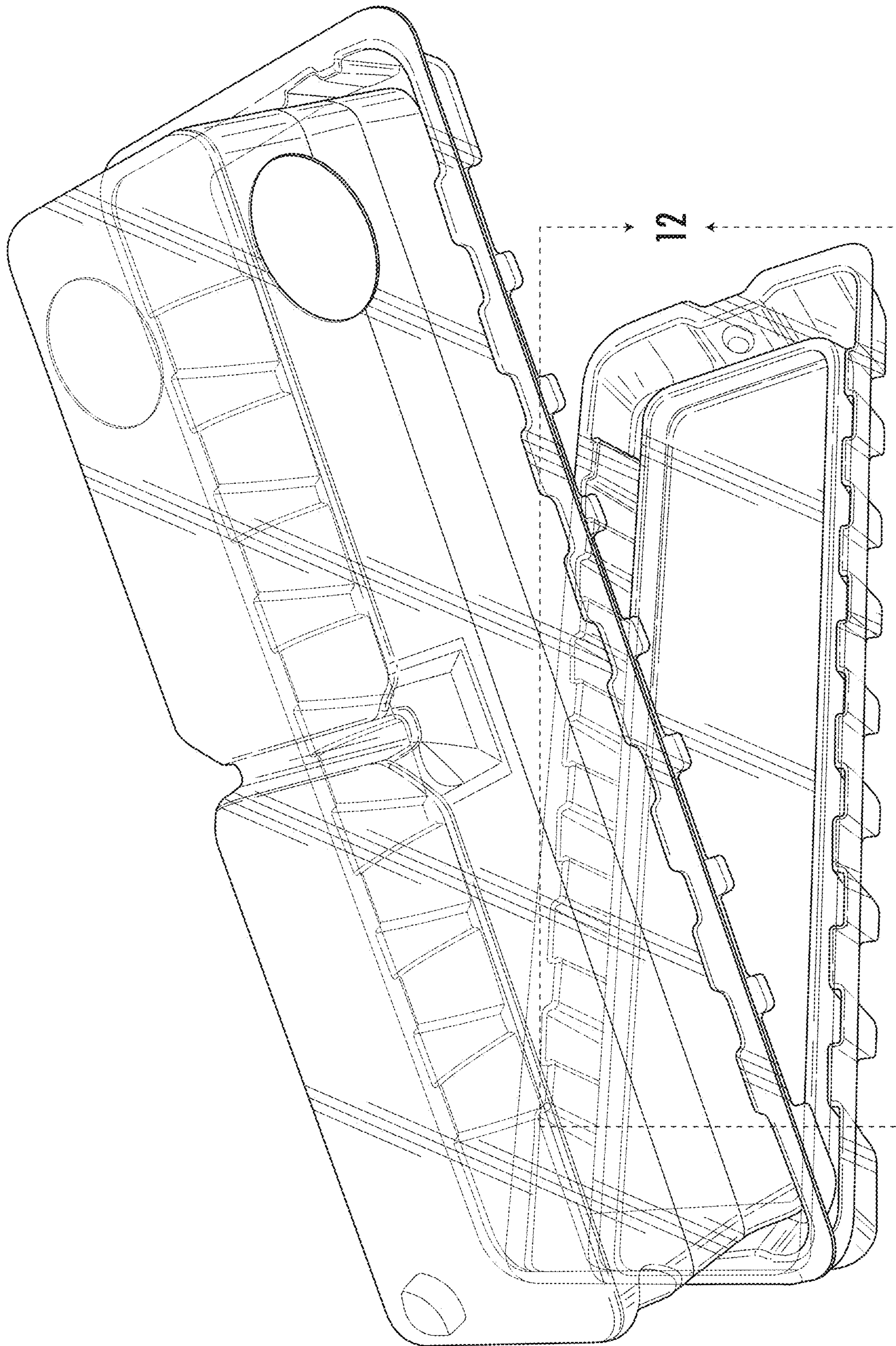


FIG. 11

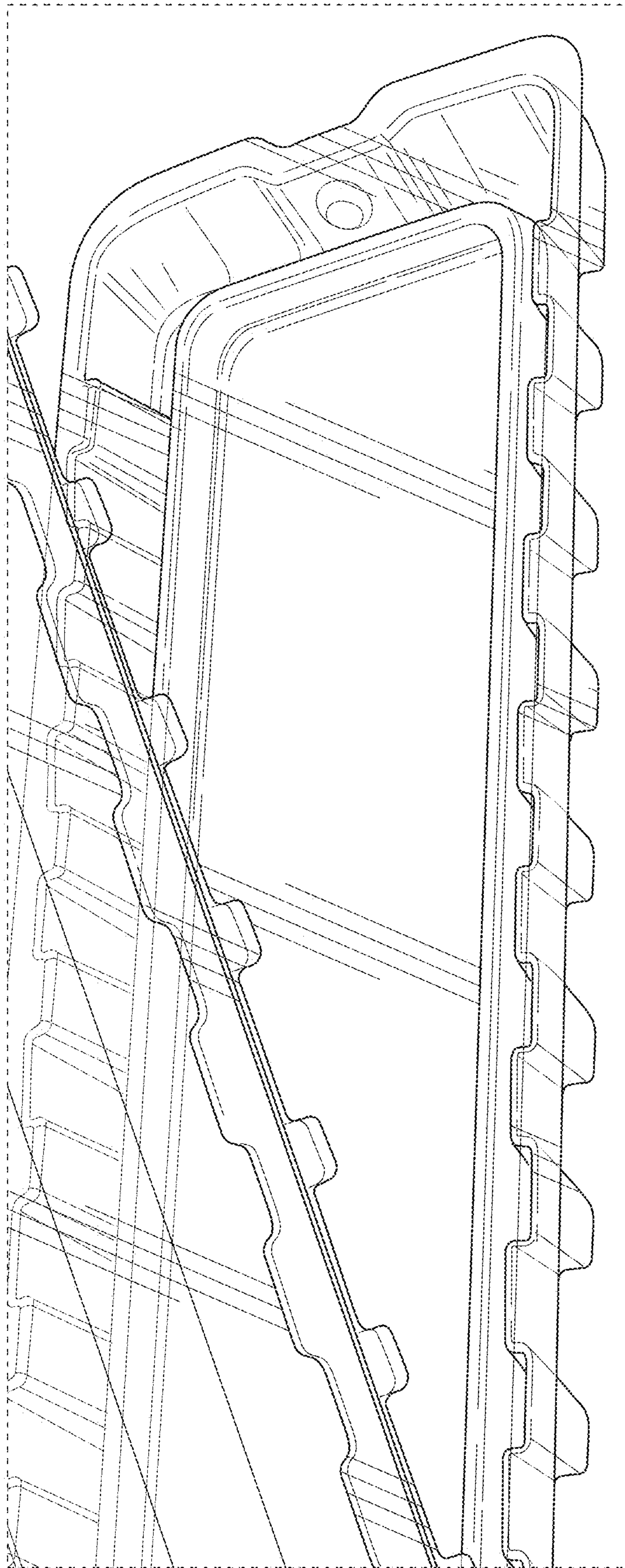


FIG. 12

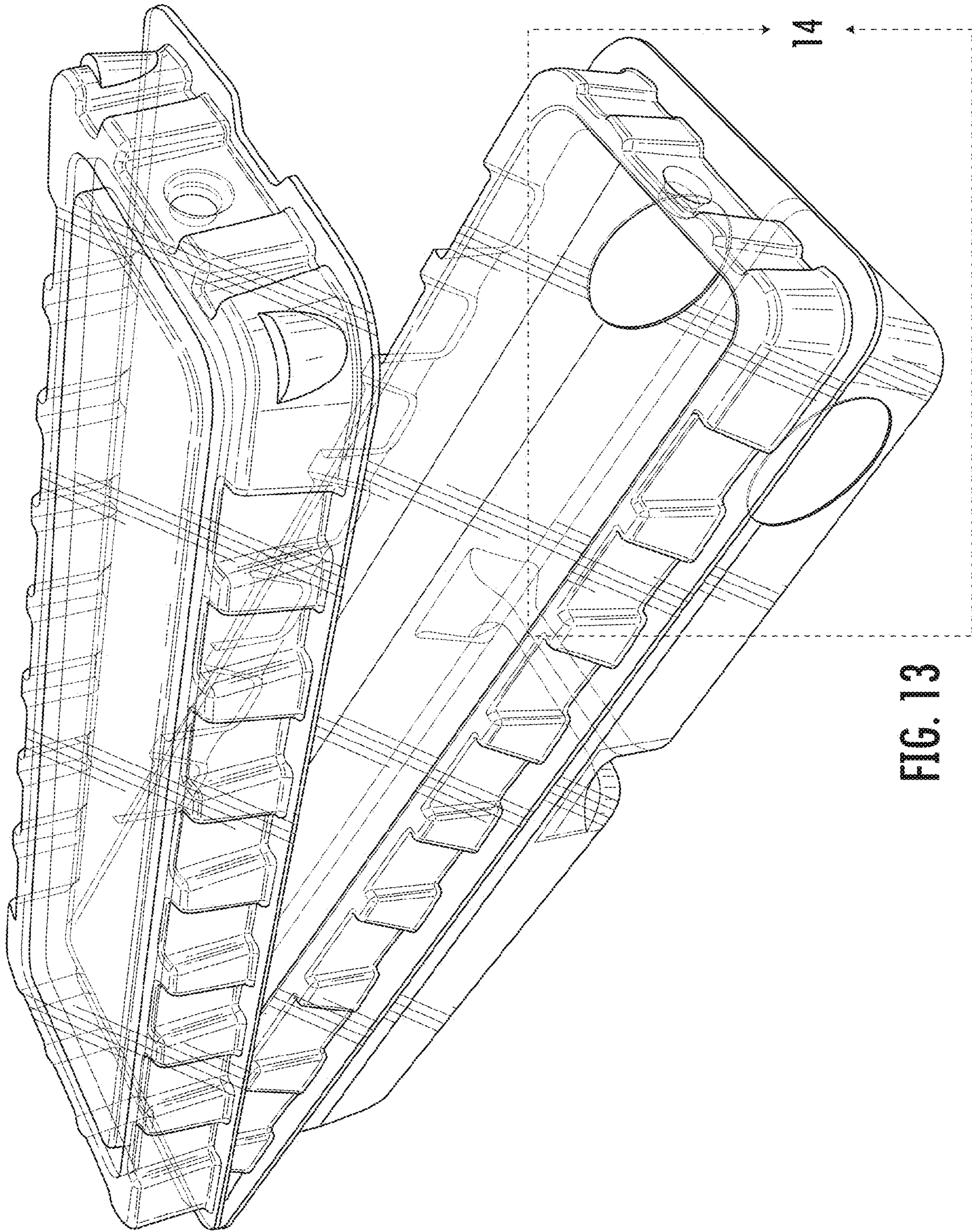


FIG. 13

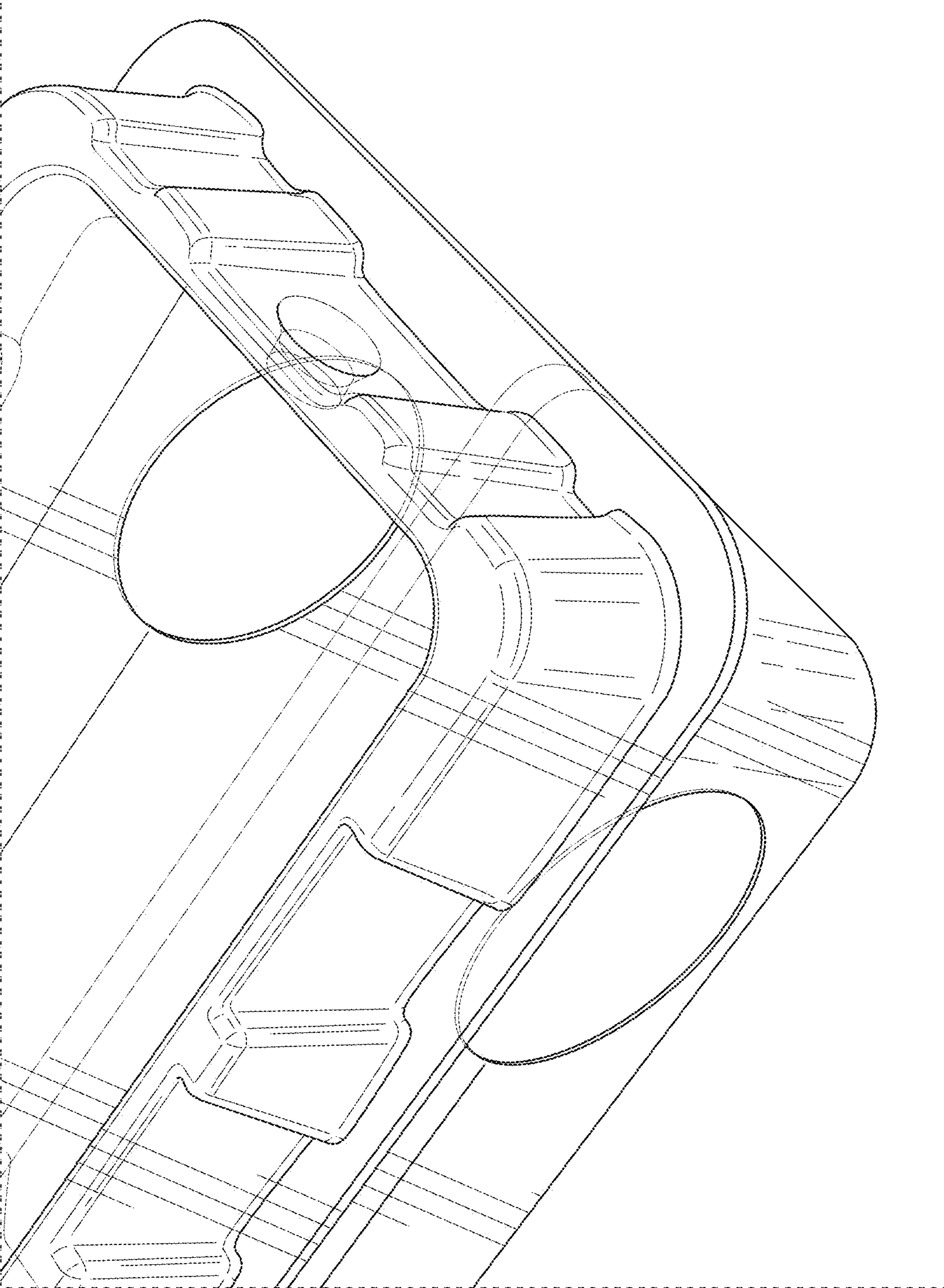


FIG. 14