



US00D912189S

(12) **United States Design Patent**
Kincel et al.

(10) **Patent No.:** **US D912,189 S**

(45) **Date of Patent:** **** *Mar. 2, 2021**

(54) **FIREARM HANDGUARD**

(71) Applicant: **BRAVO COMPANY MFG, INC.,**
Hartland, WI (US)

(72) Inventors: **Eric Stephen Kincel**, Coeur d'alene, ID (US); **Jeffrey James O'Brien**, Coeur d'alene, ID (US)

(73) Assignee: **BRAVO COMPANY MFG, INC.,**
Hartland, WI (US)

(*) Notice: This patent is subject to a terminal disclaimer.

(**) Term: **15 Years**

(21) Appl. No.: **29/689,346**

(22) Filed: **Apr. 29, 2019**

(51) **LOC (13) Cl.** **22-01**

(52) **U.S. Cl.**
USPC **D22/108**

(58) **Field of Classification Search**
USPC **D22/108**

(Continued)

(56) **References Cited**

U.S. PATENT DOCUMENTS

2,078,010 A 4/1937 Meepos
2,102,964 A 12/1937 Mosseberg

(Continued)

FOREIGN PATENT DOCUMENTS

EP 1832835 A1 9/2007
WO 2013010515 A1 1/2013

OTHER PUBLICATIONS

Magpul, "The M-LOK System," brochure (2014) 10 pages, www.magpul.com/foundations.

(Continued)

Primary Examiner — Michael A. Pratt

(74) *Attorney, Agent, or Firm* — Michael Best & Friedrich LLP

(57) **CLAIM**

We claim the ornamental design for a firearm handguard, as shown and described.

DESCRIPTION

FIG. 1 is a top front perspective view of a firearm handguard of a first length according to the present invention; FIG. 2 is a bottom rear perspective view of the firearm handguard of FIG. 1.

FIG. 3 is a front view of the firearm handguard of FIG. 1; FIG. 4 is a left side view of the firearm handguard of FIG. 1;

FIG. 5 is a rear end view of the firearm handguard of FIG. 1;

FIG. 6 is a right side view of the firearm handguard of FIG. 1;

FIG. 7 is a top view of the firearm handguard of FIG. 1; FIG. 8 is a bottom view of the firearm handguard of FIG. 1;

FIG. 9 is a top front perspective view of a firearm handguard of a second length according to the present invention;

FIG. 10 is a bottom rear perspective view of the firearm handguard of FIG. 9.

FIG. 11 is a front view of the firearm handguard of FIG. 9; FIG. 12 is a left side view of the firearm handguard of FIG. 9;

FIG. 13 is a rear end view of the firearm handguard of FIG. 9;

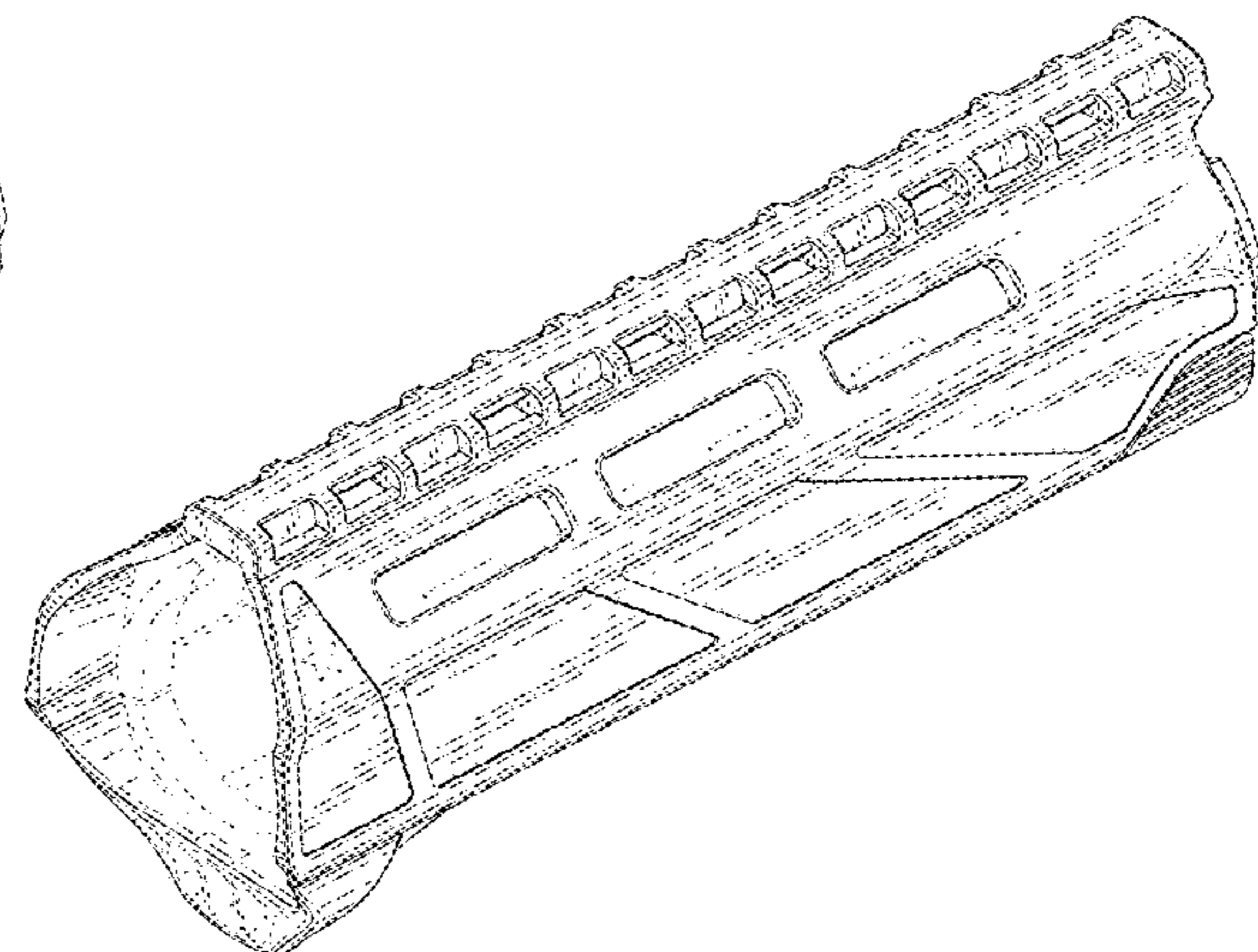
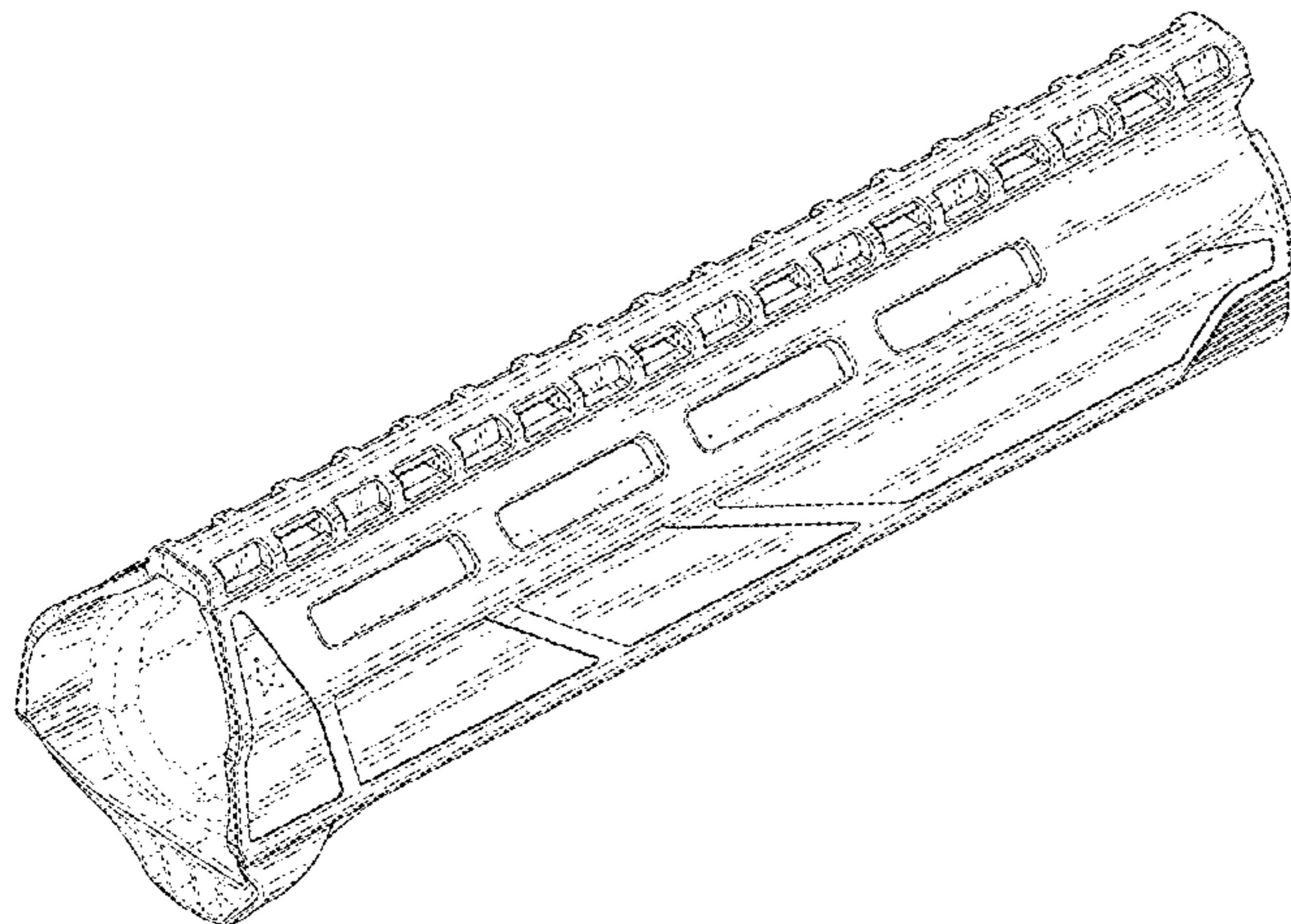
FIG. 14 is a right side view of the firearm handguard of FIG. 9;

FIG. 15 is a top view of the firearm handguard of FIG. 9; and,

FIG. 16 is a bottom view of the firearm handguard of FIG. 9.

The portions of the firearm handguard shown in broken lines are included for the purpose of illustrating environment and form no part of the claimed design. Claim

1 Claim, 16 Drawing Sheets



US D912,189 S

(58) **Field of Classification Search**
 CPC F41C 23/10; F41C 23/14; F41C 23/16;
 F41C 23/18
 See application file for complete search history.

(56) **References Cited**
 U.S. PATENT DOCUMENTS

2,685,754	A	8/1954	Crittendon et al.
3,066,375	A	12/1962	Knowles et al.
3,177,587	A	4/1965	Hart
3,512,653	A	5/1970	Erismann
3,559,940	A	2/1971	Kruzell
3,798,818	A	3/1974	Casull
3,844,627	A	10/1974	Gutner
3,861,070	A	1/1975	Wild et al.
4,167,884	A	9/1979	Santanna
4,663,875	A	5/1987	Tatro
4,905,396	A	3/1990	Bechtel
4,959,908	A	10/1990	Weyrauch
5,078,215	A	1/1992	Nau
5,412,895	A	5/1995	Krieger
5,590,484	A	1/1997	Mooney et al.
5,603,594	A	2/1997	Lincoln
5,632,108	A	5/1997	Ruger et al.
6,499,245	B1	12/2002	Swan
6,609,321	B2	8/2003	Faifer
6,671,990	B1	1/2004	Booth
6,836,990	B2	1/2005	Shiloni
6,874,269	B2	4/2005	Chen et al.
RE39,465	E	1/2007	Swan
7,216,451	B1	5/2007	Troy
7,325,352	B2	2/2008	Matthews et al.
7,430,829	B2	10/2008	Murello
7,458,179	B2	12/2008	Swan
7,464,495	B2	12/2008	Cahill
D613,811	S	4/2010	Swan
7,712,242	B2	5/2010	Matthews et al.
7,716,865	B2	5/2010	Daniel et al.
7,770,317	B1	8/2010	Tankersley
7,793,452	B1	9/2010	Samson et al.
D636,453	S	4/2011	Fitzpatrick et al.
D641,450	S	7/2011	Ding
7,971,384	B2	7/2011	Lippard
8,006,430	B2	8/2011	Wang
8,051,595	B2	11/2011	Hochstrate et al.
8,141,285	B2	3/2012	Brown
8,141,289	B2	3/2012	Gomez et al.
8,201,353	B1	6/2012	Swan
8,245,428	B2	8/2012	Griffin
8,251,051	B2	8/2012	Maggiore
8,276,303	B2	10/2012	Kapusta et al.
8,312,668	B2	11/2012	Kincel
8,438,770	B2	5/2013	Troy
8,448,367	B2	5/2013	Samson et al.
8,453,364	B2	6/2013	Kuczynko
8,490,316	B2	7/2013	Kincel et al.
8,539,708	B2	9/2013	Kenney et al.
8,578,647	B2	11/2013	Storch et al.
8,607,490	B1	12/2013	Zinsner
D703,286	S	4/2014	Chen et al.
8,739,448	B2	6/2014	Kimmel et al.
8,752,320	B2	6/2014	Masters
D709,582	S *	7/2014	Geissele D22/108
8,782,943	B2	7/2014	Jarboe
D710,964	S	8/2014	Chvala
8,819,980	B2	9/2014	Geissele
D717,907	S	11/2014	Montes
D717,908	S	11/2014	Montes
D720,421	S	12/2014	Chen
8,904,691	B1 *	12/2014	Kincel F41C 23/16 42/71.01
D721,407	S	1/2015	Chu
8,925,236	B1	1/2015	Mayberry et al.
D722,356	S	2/2015	Keller et al.
D725,723	S	3/2015	Eddie
9,103,625	B2	8/2015	Masters

9,140,506	B2	9/2015	Gomez
9,157,697	B2	10/2015	Leclair
D744,054	S	11/2015	Peterson et al.
D746,399	S	12/2015	Folkestad, II et al.
D746,936	S	1/2016	Huang
D747,426	S *	1/2016	Cheng D22/108
9,239,209	B2	1/2016	Mayberry et al.
9,239,210	B2	1/2016	Mayberry et al.
D749,181	S	2/2016	Hu
9,297,599	B2	3/2016	Underwood et al.
9,303,949	B1	4/2016	Oglesby
9,322,609	B2	4/2016	Davies
D755,338	S	5/2016	Slank
D757,201	S	5/2016	Meier
D757,204	S	5/2016	Chow et al.
D757,878	S	5/2016	Barroot et al.
9,377,274	B2	6/2016	Kincel
9,383,163	B2	7/2016	Kincel et al.
9,389,043	B1	7/2016	Zhang
D764,620	S	8/2016	Packard et al.
9,423,194	B2	8/2016	Fritz et al.
9,429,388	B2	8/2016	Mayberry et al.
D768,800	S	10/2016	Willits
9,459,078	B1	10/2016	Kincel
9,464,865	B2	10/2016	Shea et al.
9,470,472	B2	10/2016	Kincel et al.
9,476,672	B2	10/2016	Wells et al.
D771,216	S *	11/2016	Dubois D22/108
9,513,083	B1	12/2016	Oglesby
9,523,554	B2	12/2016	Mayberry et al.
9,528,793	B1	12/2016	Oglesby
D779,013	S	2/2017	Cheng et al.
D779,014	S	2/2017	Cheng et al.
9,581,412	B2	2/2017	Cheng et al.
9,599,439	B1	3/2017	Sylvester
D783,760	S *	4/2017	Pavlick D22/108
D783,761	S *	4/2017	Pavlick D22/108
D785,743	S *	5/2017	Pavlick D22/108
9,696,112	B2	7/2017	Gottzmann et al.
9,709,358	B2	7/2017	Kincel
D795,986	S *	8/2017	Frederickson D22/108
9,766,035	B2	9/2017	Storch
9,772,161	B1	9/2017	Cheng
9,791,239	B1	10/2017	Kincel et al.
D815,710	S	4/2018	Packard et al.
9,964,380	B1	5/2018	Oglesby
9,995,557	B2	6/2018	Geissele
D827,082	S *	8/2018	Dubois D22/108
D828,898	S *	9/2018	McKillips D22/108
10,126,094	B2	11/2018	Kincel et al.
10,126,095	B1	11/2018	Reid
10,145,648	B1	12/2018	Holder et al.
D844,091	S *	3/2019	Kincel D22/108
10,274,283	B1	4/2019	Oglesby
10,295,304	B1	5/2019	Kincel et al.
10,309,747	B2	6/2019	Samson et al.
10,345,075	B1	7/2019	Oglesby
10,401,122	B2	9/2019	Williams
D865,111	S *	10/2019	Storch D22/108
10,619,971	B2	4/2020	Hubbell et al.
D888,184	S *	6/2020	Bietsch D22/108
2001/0045046	A1	11/2001	Otteman
2003/0230022	A1	12/2003	Battaglia
2004/0009034	A1	1/2004	Miller
2004/0049964	A1	3/2004	Vais
2005/0268512	A1	12/2005	Battaglia
2006/0065112	A1	3/2006	Kuczynko et al.
2006/0191183	A1	8/2006	Griffin
2007/0017139	A1	1/2007	Lame
2008/0092422	A1	4/2008	Daniel et al.
2008/0301994	A1	12/2008	Langevin et al.
2009/0000175	A1	1/2009	Potterfield et al.
2009/0100734	A1	4/2009	Swan et al.
2009/0178325	A1	7/2009	Veilleux
2010/0095575	A1	4/2010	Swan
2010/0122485	A1	5/2010	Kincel
2010/0242332	A1	9/2010	Teetzal et al.
2010/0319231	A1	12/2010	Stone et al.
2011/0032694	A1	2/2011	Swan et al.

(56)

References Cited

U.S. PATENT DOCUMENTS

2011/0126443 A1 6/2011 Sirois
 2011/0192066 A1 8/2011 Kimmel et al.
 2011/0247254 A1 10/2011 Barnes
 2012/0042557 A1 2/2012 Gomez et al.
 2012/0097807 A1 4/2012 Rees
 2012/0124880 A1 5/2012 Leclair
 2012/0016743 A1 7/2012 Masters
 2012/0167434 A1 7/2012 Masters
 2012/0180359 A1 7/2012 Fitzpatrick et al.
 2012/0186123 A1 7/2012 Troy et al.
 2012/0311908 A1 12/2012 Kenney et al.
 2012/0324775 A1 12/2012 Troy et al.
 2013/0031820 A1 2/2013 Deros
 2013/0036646 A1 2/2013 Rubac et al.
 2013/0104441 A1 5/2013 Kincel
 2013/0133238 A1 5/2013 Quetschke
 2013/0180151 A1 7/2013 Moore
 2013/0276341 A1 10/2013 Wells et al.
 2013/0318848 A1 12/2013 Kincel
 2014/0000142 A1 1/2014 Patel
 2014/0026459 A1 1/2014 Yan et al.
 2014/0041273 A1 2/2014 Masters
 2014/0075817 A1 3/2014 Gomez
 2014/0082990 A1 3/2014 Lee
 2014/0115938 A1 5/2014 Jarboe
 2014/0115939 A1 5/2014 Troy et al.
 2014/0115940 A1 5/2014 Bonelli et al.
 2014/0130390 A1 5/2014 Geissele
 2014/0204566 A1 7/2014 Kay
 2014/0373419 A1 12/2014 Leclair
 2015/0000171 A1 1/2015 Roberts
 2015/0198408 A1 7/2015 Kincel et al.
 2015/0219422 A1 8/2015 Kincel
 2015/0267993 A1 9/2015 Cheng et al.
 2015/0285583 A1 10/2015 Mayberry et al.
 2015/0285584 A1* 10/2015 Mayberry F41G 11/003
 42/71.01
 2015/0285585 A1 10/2015 Hewes et al.
 2015/0316347 A1* 11/2015 Shea F41C 23/16
 42/75.02
 2015/0369555 A1 12/2015 Daniel et al.
 2015/0369558 A1 12/2015 Gottzmann
 2016/0010946 A1 1/2016 Gibbons et al.
 2016/0025120 A1 1/2016 Swan et al.
 2016/0054096 A1 2/2016 Dzwil
 2016/0091277 A1 3/2016 Mayberry et al.

2016/0169617 A1 6/2016 Daley, Jr.
 2016/0187100 A1 6/2016 Mayberry et al.
 2016/0195350 A1 7/2016 Packard et al.
 2016/0349011 A1 12/2016 Jen
 2017/0016695 A1 1/2017 Willits
 2017/0067718 A1 3/2017 Mayberry et al.
 2017/0097207 A1 4/2017 Hines
 2017/0205183 A1 7/2017 Ding et al.
 2017/0261276 A1 9/2017 Morris
 2017/0307328 A1 10/2017 Shelton et al.
 2018/0023919 A1* 1/2018 Kincel F41C 23/16
 42/71.01
 2019/0226799 A1 7/2019 Hubbell et al.

OTHER PUBLICATIONS

Magpul, "The M-LOK System," brochure (2014) pp. 1-10 Rev. 1.2, www.magpul.com/foundations.
 B5 Systems, "Keymod Hand Guard, Mid Length" <<http://b5systems.com/keymod-hand-guard-mid-length/>>, webpage publicly available at least as early as Jun. 22, 2016, 2 pages.
 Recoil, B5 Systems Color Wheels, <<http://www.recoilweb.com/b5-systems-color-wheels-39707.html>>, webpage publicly available at least as early as Dec. 20 2016, 4 pages.
 Image, <http://www.evike.com/images/large/HG_MP_PTSMOE2.jpg>, Dec. 20, 2016, 1 page.
 Evike, "Matrix Triple Rail Set w/ Screws for PTS/MOE/MASADA/ACR Handguards—Black" <<http://www.evike.com/products/30805/>>, Dec. 20, 2016, 3 pages.
 BCMGunfighter PKMR Mid Length-Black, BravoCompanyUSA.com, [online], [site visited Oct. 17, 2017]. <URL: [https:// www.bravocompanyusa.com/BCM-PKMR-POLYMER-KEYMOD-RAIL-Black](https://www.bravocompanyusa.com/BCM-PKMR-POLYMER-KEYMOD-RAIL-Black)> (Year: 2017).
 BCMGunfighter PKMR Carbine Length-Black, BravoCompanyUSA.com, [online], [site visited Oct. 17, 2017]. <URL: [https:// www.bravocompanyusa.com/BCM-PKMR-POLYMER-KEYMOD-RAIL-CARBINE-Black](https://www.bravocompanyusa.com/BCM-PKMR-POLYMER-KEYMOD-RAIL-CARBINE-Black)> (Year: 2017).
 RECOILtv Mail Call: Some Fall 2016 New BCM Products (full episode), YouTube.com, RECOILweb, Published on Sep. 26, 2016, [online], [site visited Oct. 17, 2017]. <URL: https://www.youtube.com/watch?v=_FKkwuh4kCg> (Year 2016).
 Magpul MOE M-LOK AR-15M4 Mid-Length Hand Guard, Academy.com, [online], [site visited Oct. 17, 2017]. <URL: [http:// www.academy.com/shop/pdp/magpul-moe-m-lok-ar-15m4-mid-length-hand-guard](http://www.academy.com/shop/pdp/magpul-moe-m-lok-ar-15m4-mid-length-hand-guard)> (Year: 2017).

* cited by examiner

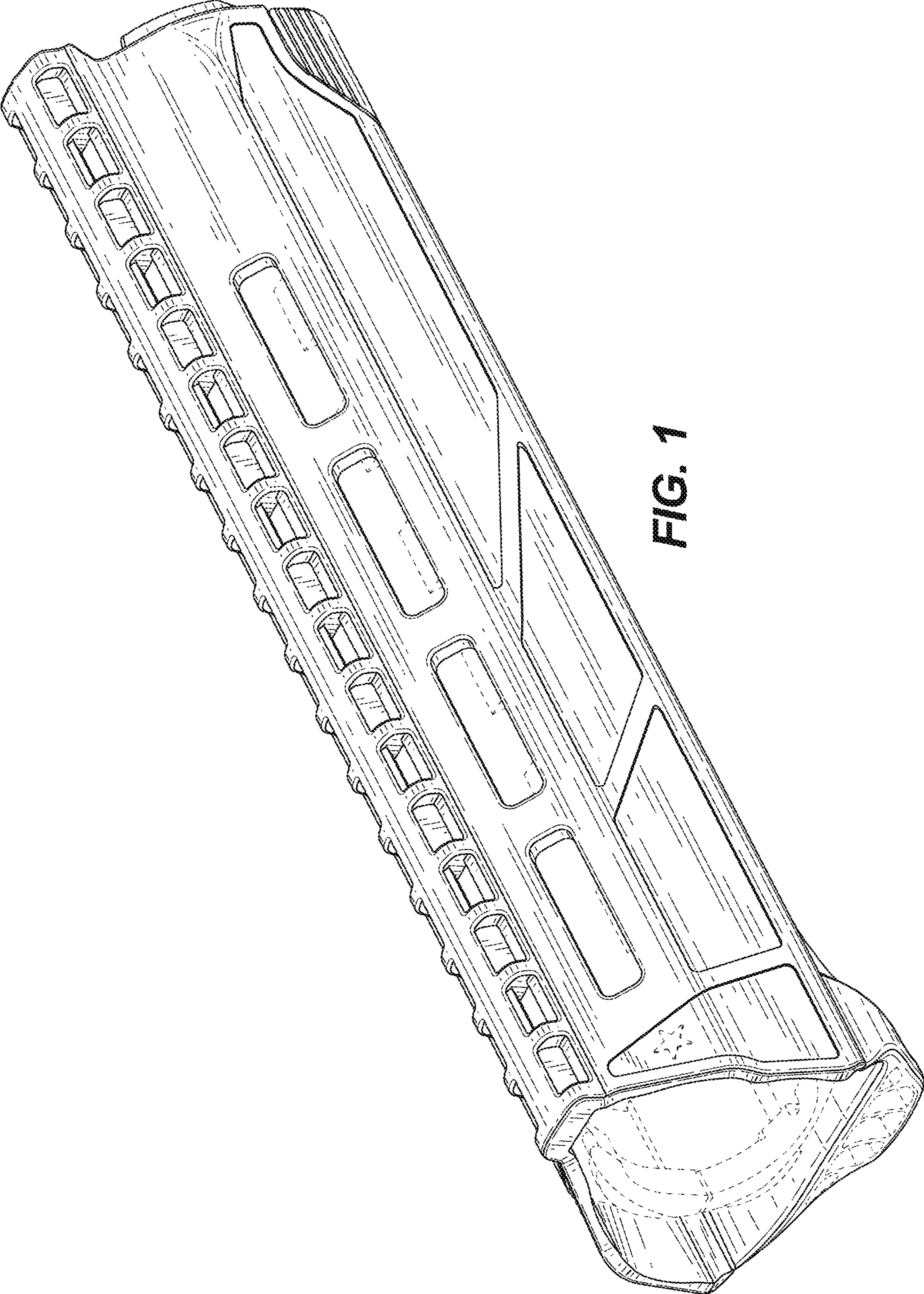


FIG. 1

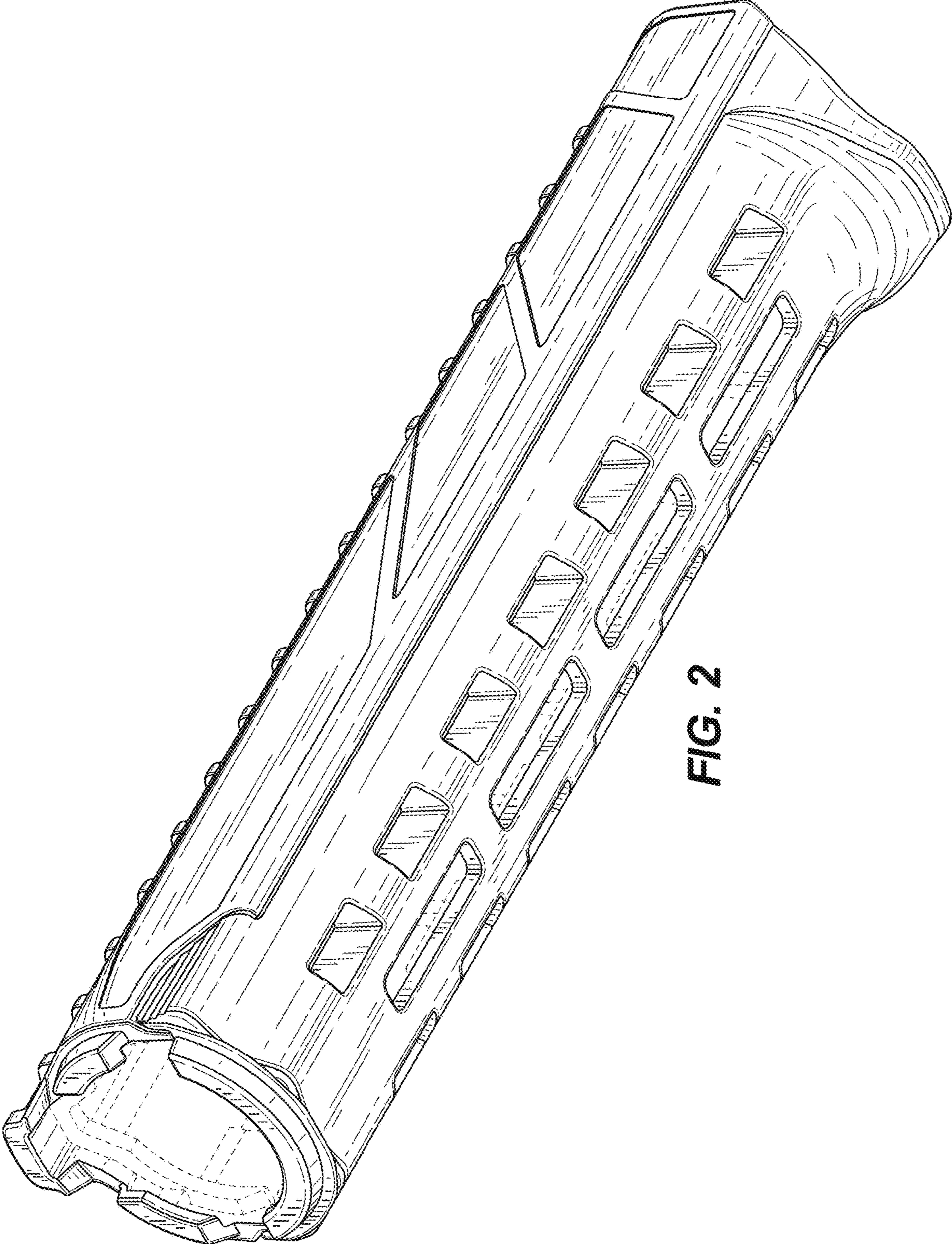


FIG. 2

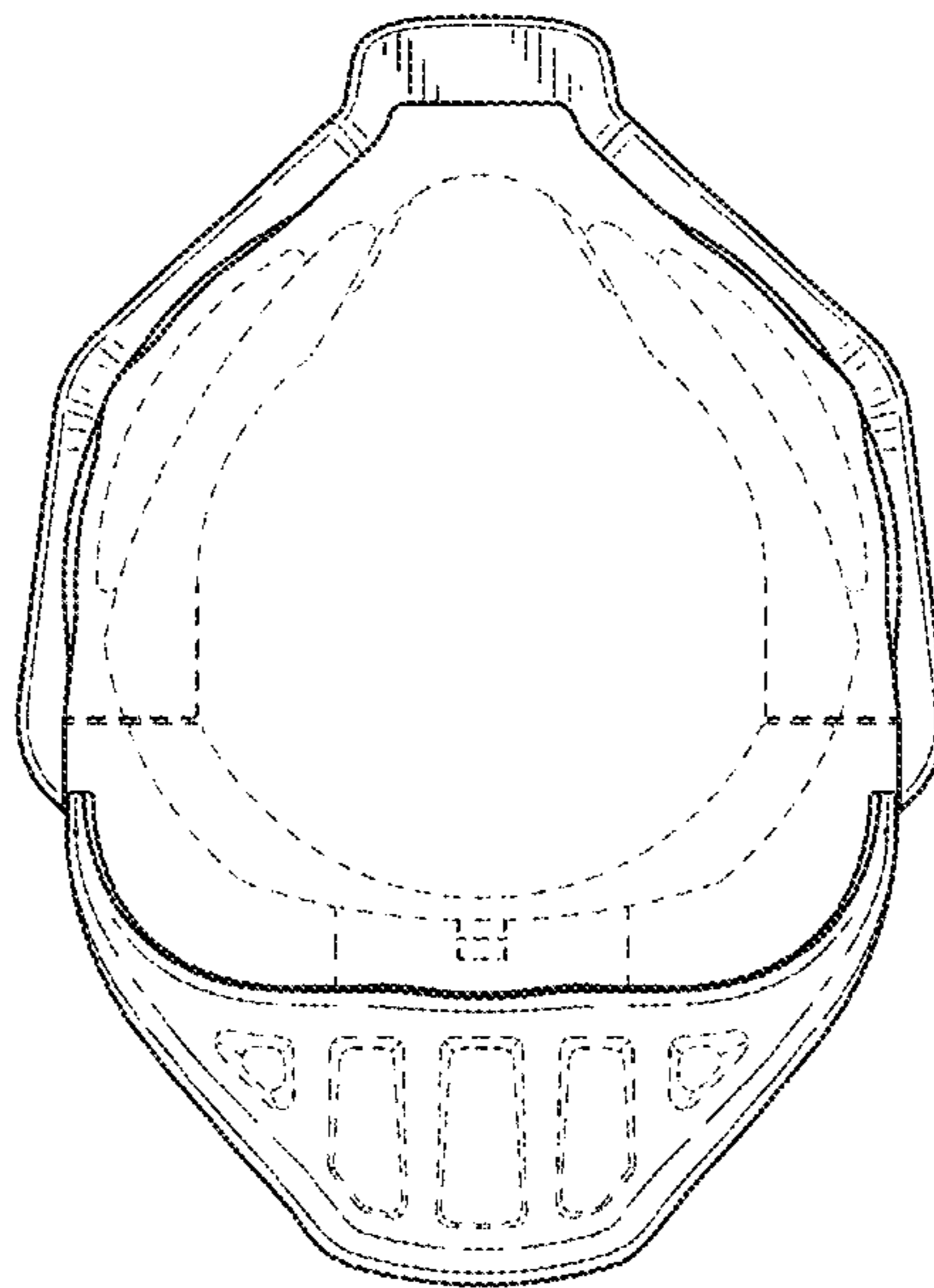


FIG. 3

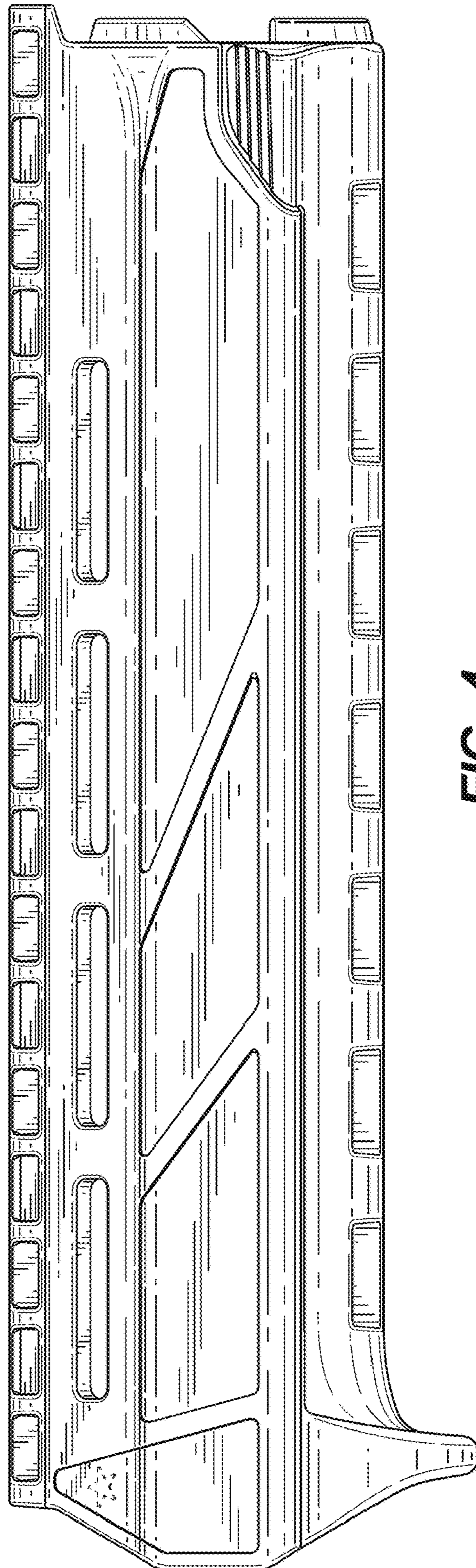


FIG. 4

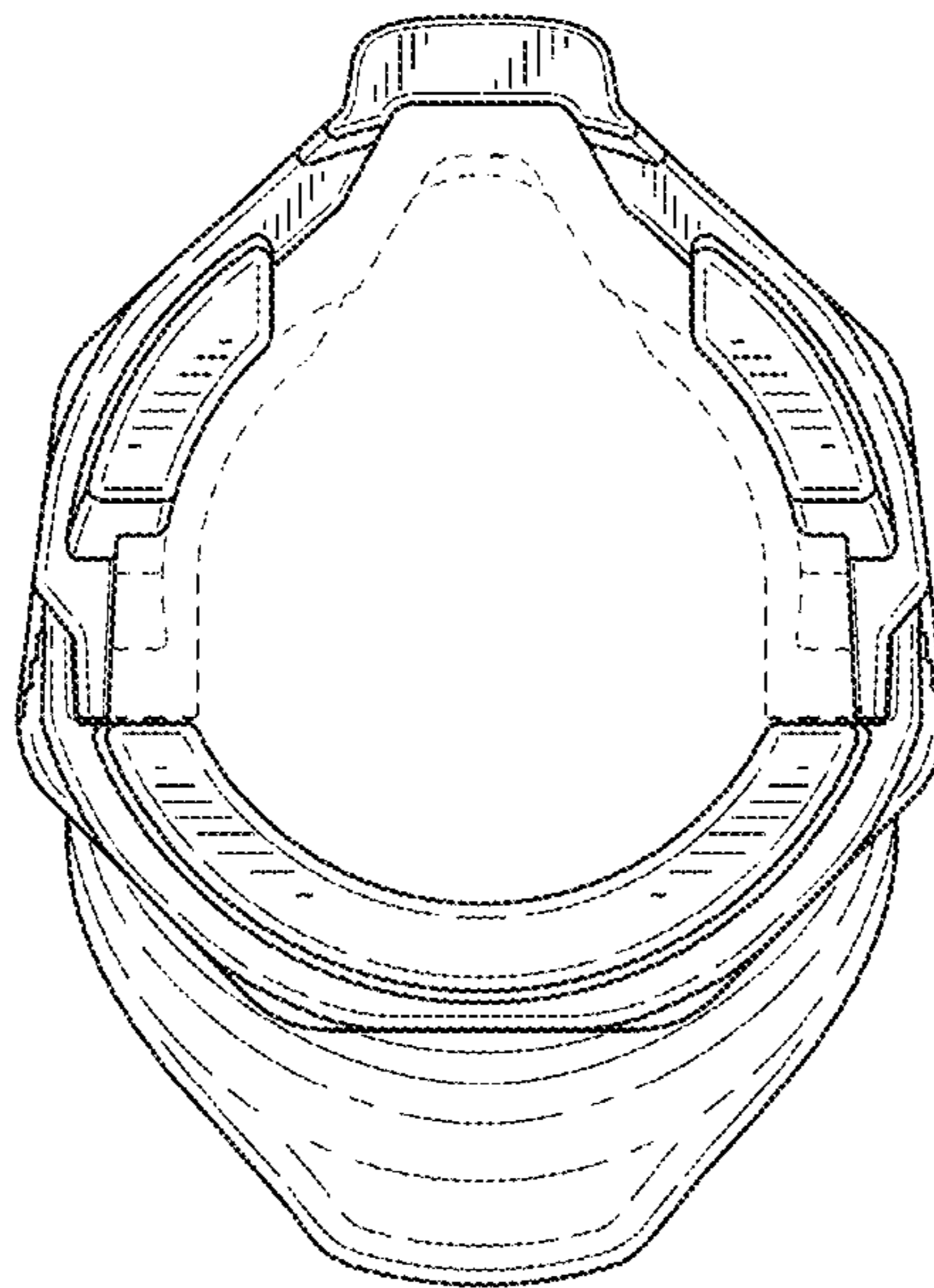


FIG. 5

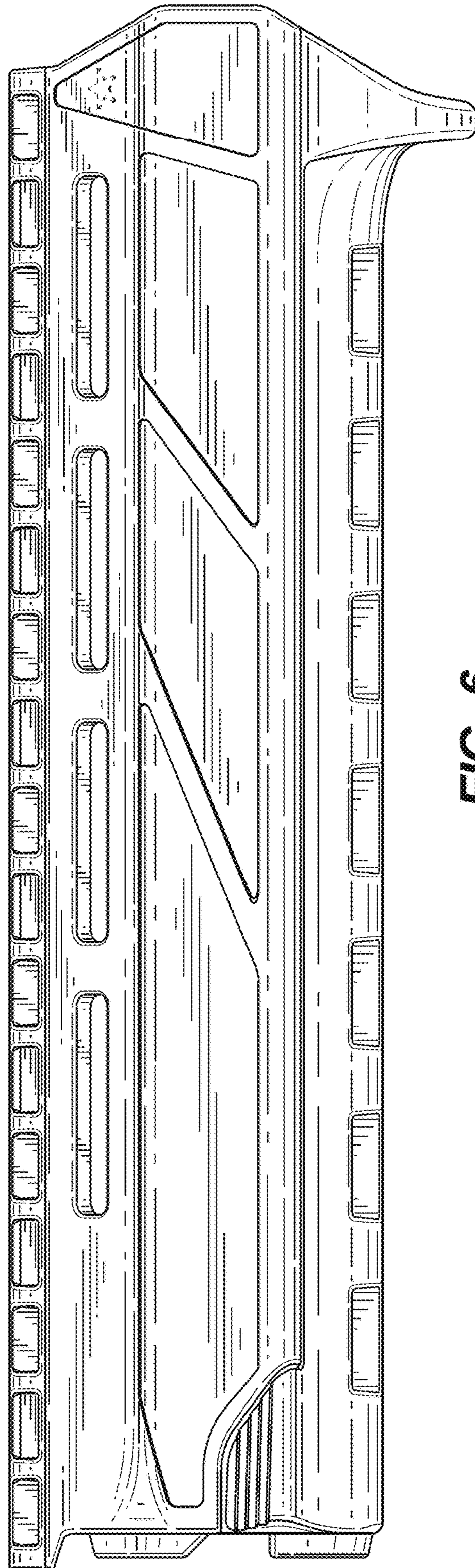


FIG. 6

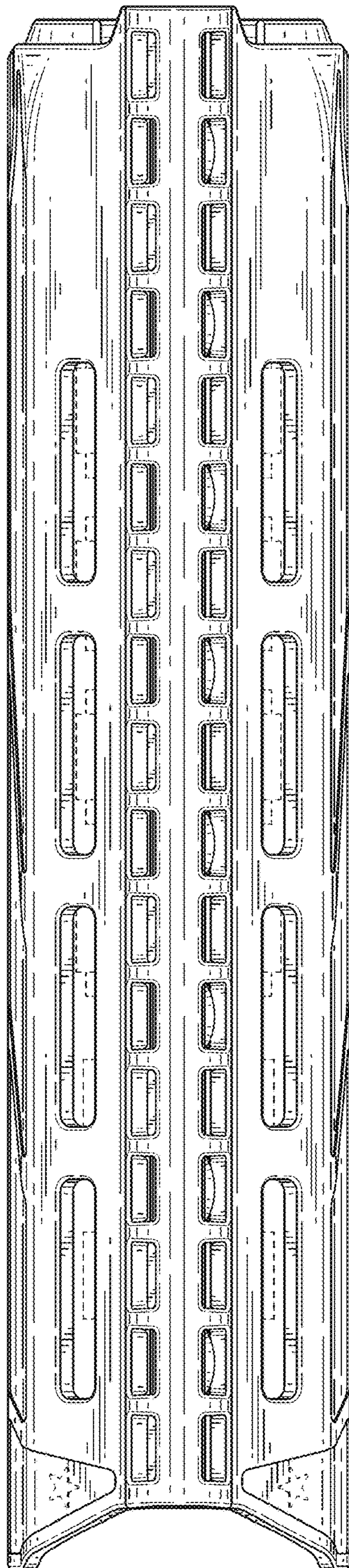


FIG. 7

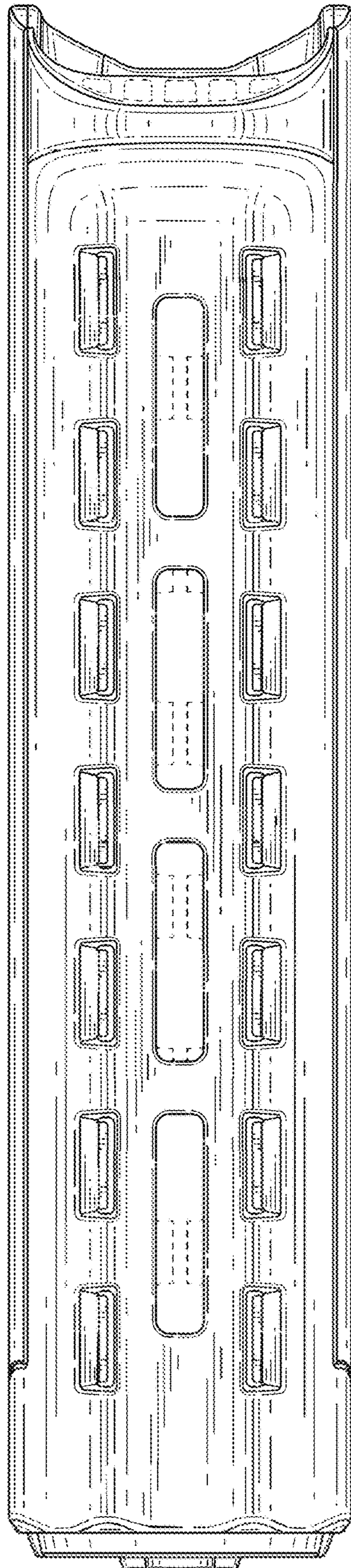


FIG. 8

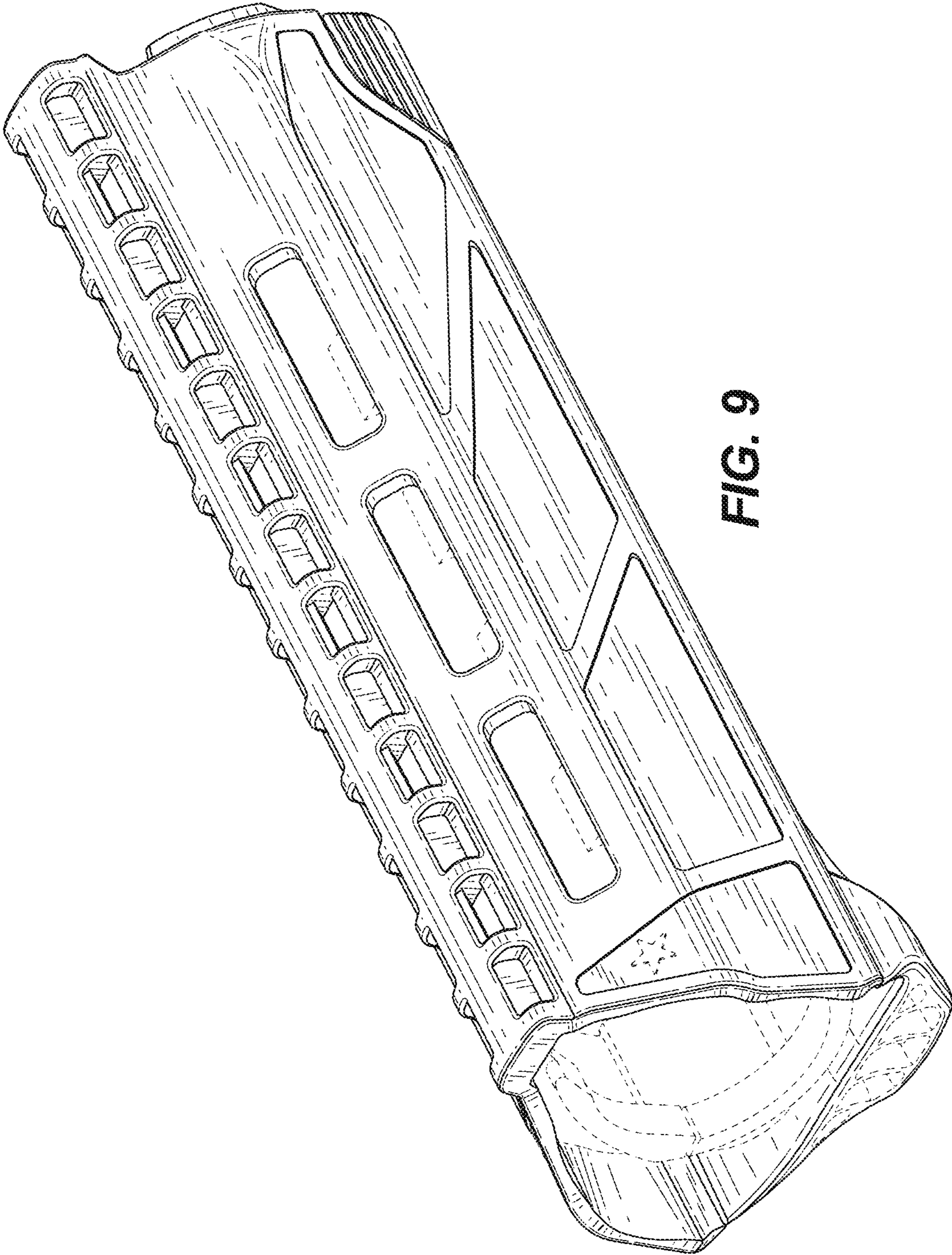


FIG. 9

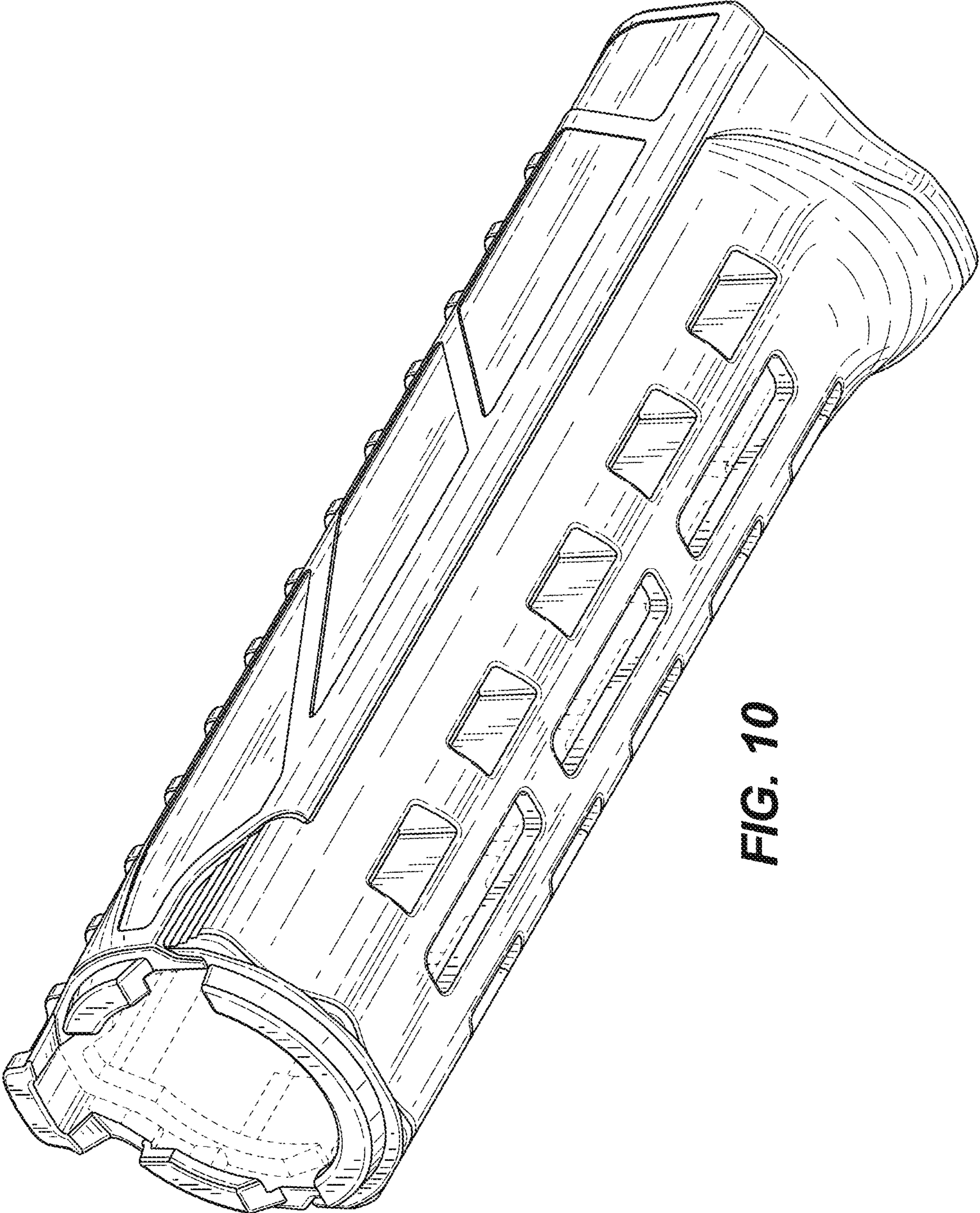


FIG. 10

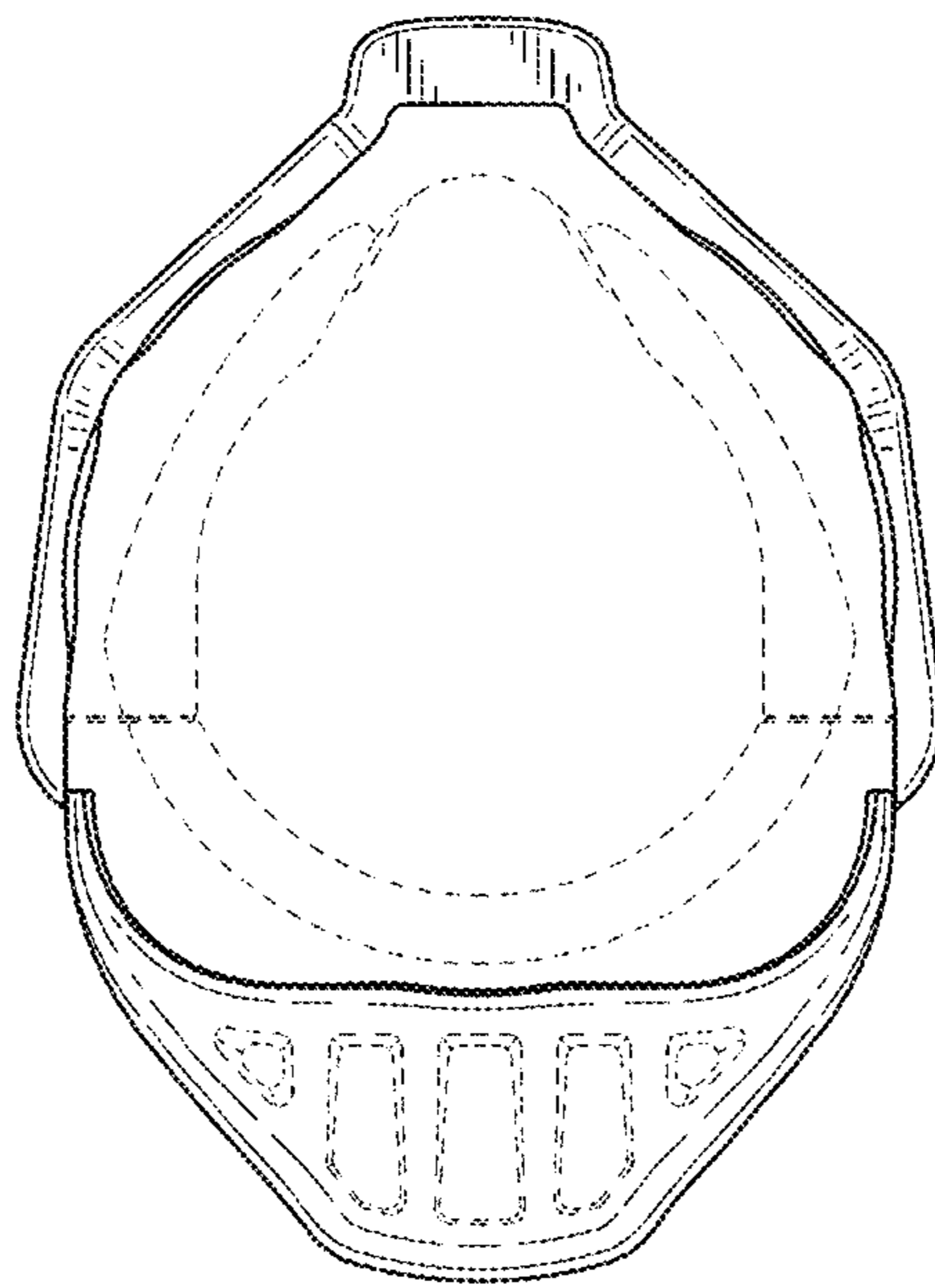


FIG. 11

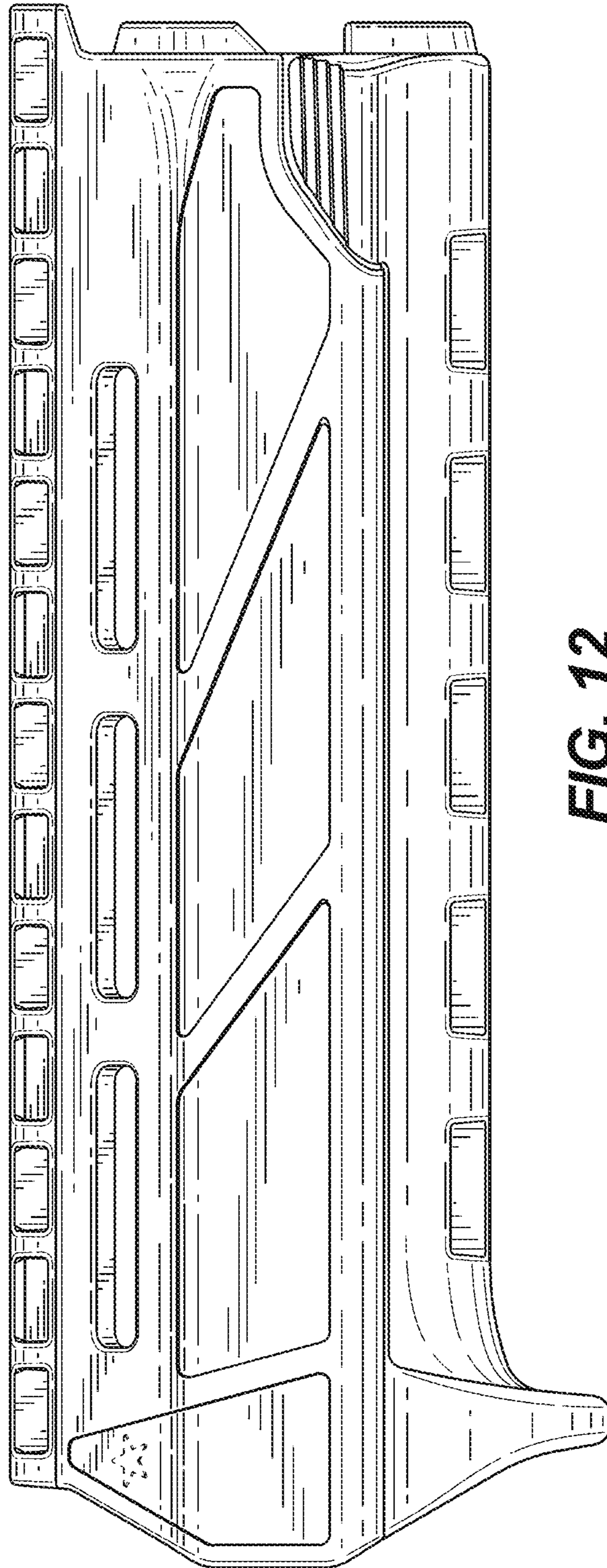


FIG. 12

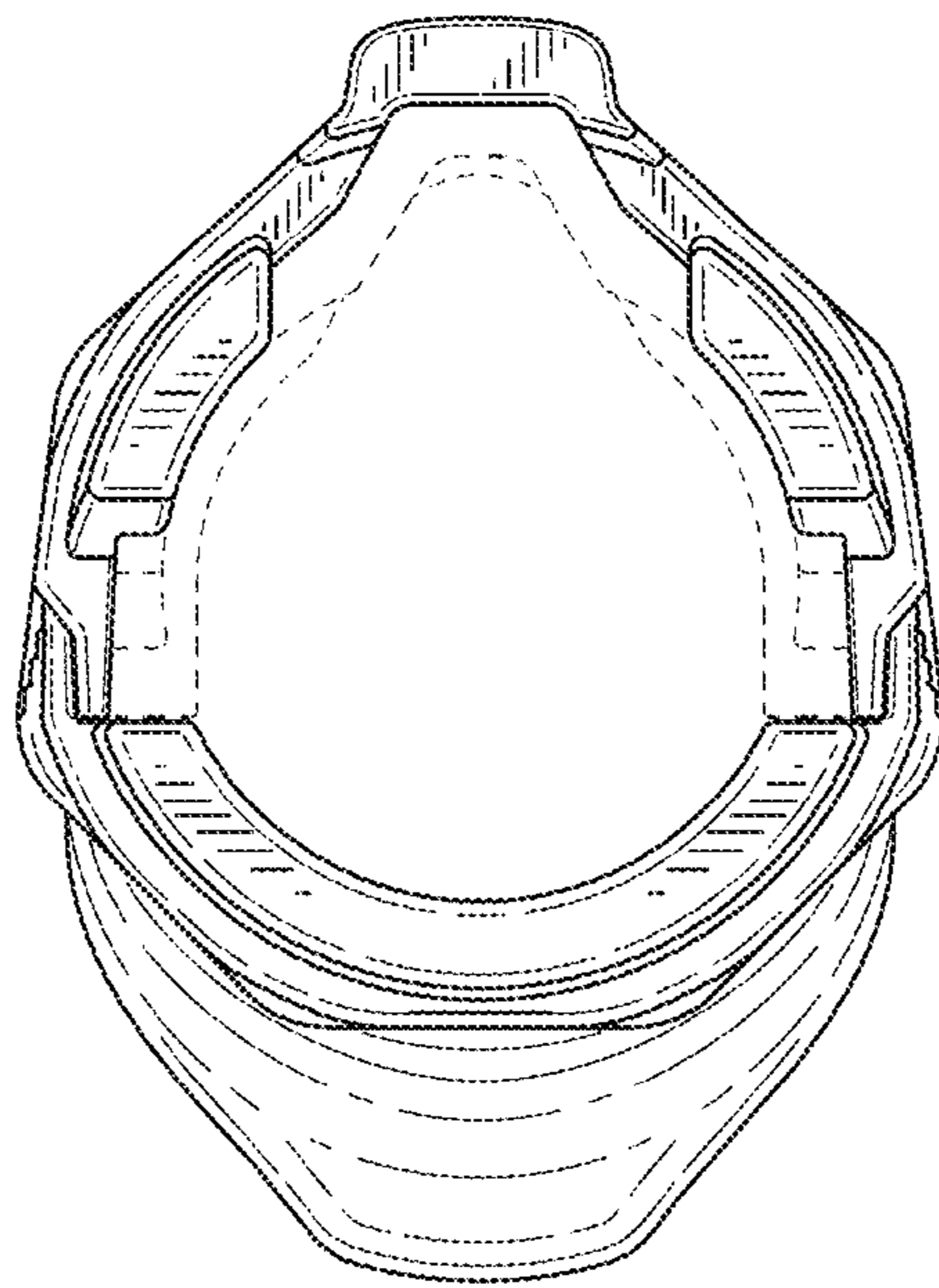


FIG. 13

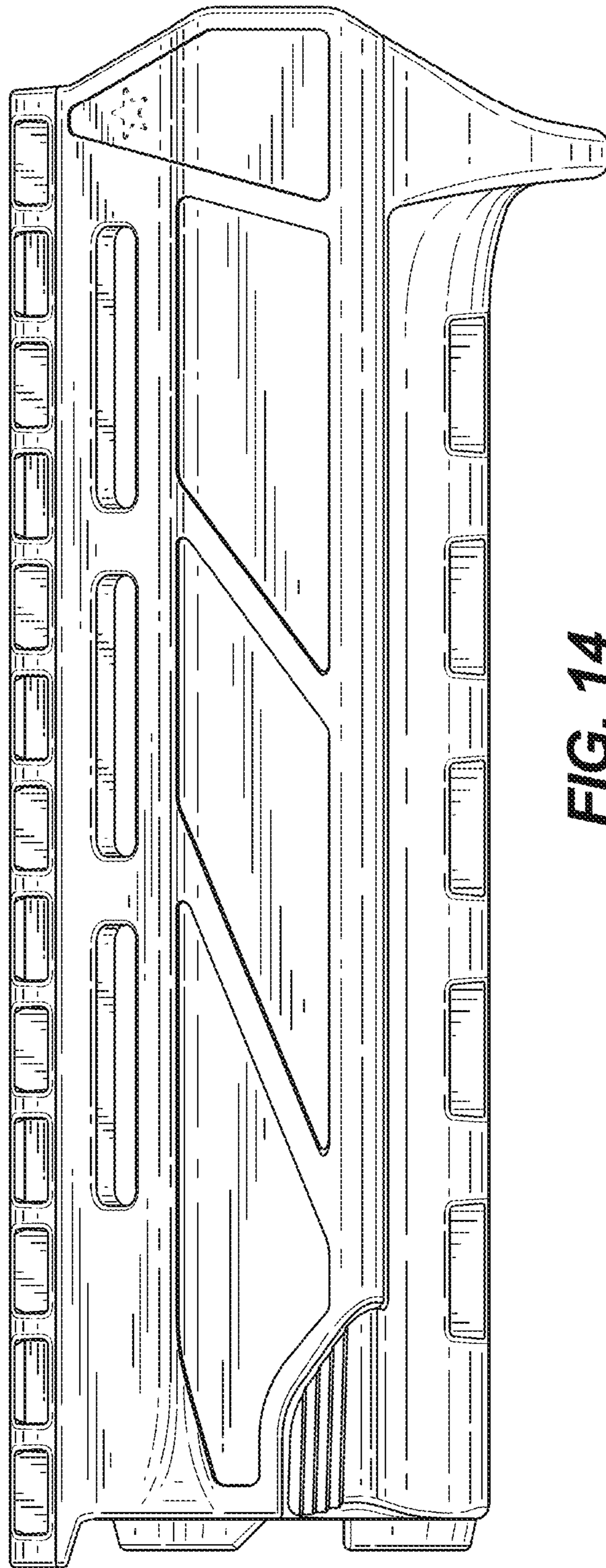


FIG. 14

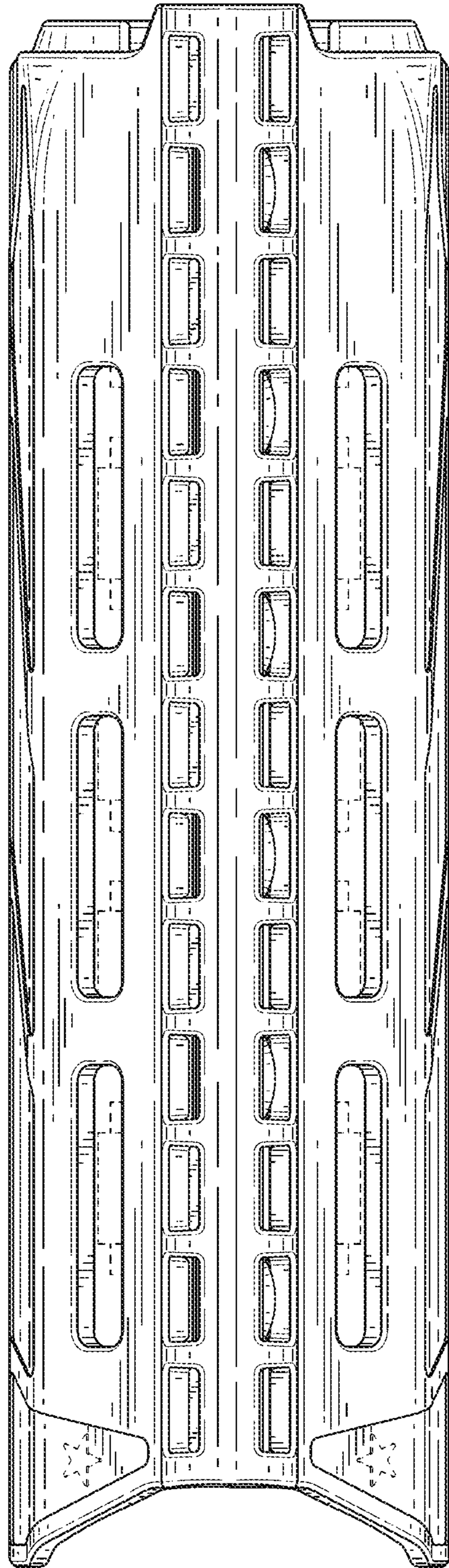


FIG. 15

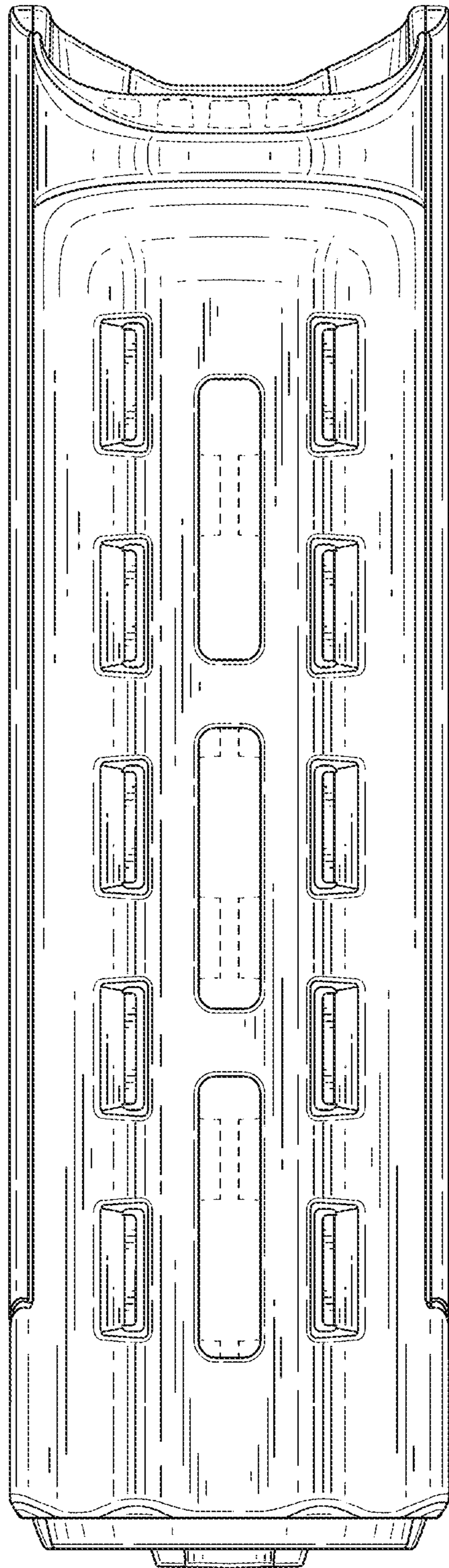


FIG. 16