



US00D912188S

(12) **United States Design Patent** (10) **Patent No.:** **US D912,188 S**
Chin (45) **Date of Patent:** **** Mar. 2, 2021**

(54) **HANDGUARD FOR A PUMP ACTION SHOTGUN**

(71) Applicant: **David Chin**, Irvine, CA (US)

(72) Inventor: **David Chin**, Irvine, CA (US)

(**) Term: **15 Years**

(21) Appl. No.: **29/658,004**

(22) Filed: **Jul. 26, 2018**

(51) **LOC (13) Cl.** **22-01**

(52) **U.S. Cl.**
USPC **D22/108**

(58) **Field of Classification Search**
USPC D22/100, 101, 103, 104, 105, 108, 109,
D22/110, 111, 199; D21/567, 573, 574,
D21/575

CPC F41A 23/02; F41A 35/00; F41C 23/04;
F41C 23/12; F41C 27/22

See application file for complete search history.

(56) **References Cited**

U.S. PATENT DOCUMENTS

D604,793 S *	11/2009	Fitzpatrick	D22/108
D615,142 S *	5/2010	Bentley	D22/108
D672,838 S *	12/2012	Mayberry	D22/108
D718,405 S *	11/2014	Fitzpatrick	D22/108
9,121,664 B2 *	9/2015	Fitzpatrick	F41C 23/16
D750,188 S *	2/2016	Fitzpatrick	D22/108
D751,164 S *	3/2016	Fitzpatrick	D22/108
D757,203 S *	5/2016	Chow	D22/108
D757,204 S *	5/2016	Chow	D22/108
D757,878 S *	5/2016	Barfoot	D22/108
D779,014 S *	2/2017	Cheng	D22/108
D840,494 S *	2/2019	Storch	D22/108
D844,091 S *	3/2019	Kincel	D22/108
2015/0285583 A1 *	10/2015	Mayberry	F41G 11/005 42/71.01

2015/0285584 A1* 10/2015 Mayberry F41C 23/16
42/71.01
2017/0016695 A1* 1/2017 Willits F41G 11/003

OTHER PUBLICATIONS

“Review: Strike Industries Viper Handguards” [online]. Patrick R. [Published on Jul. 27, 2015]. Retrieved from the Internet: <https://www.thefirearmblog.com/blog/2015/07/27/review-strike-industries-viper-handguards/>.*

“Briley 3Gun M-LOK Handguard for Benelli M2 Shotguns” [online]. Hrachya H. [Published on Sep. 4, 2018]. Retrieved from the Internet: <https://www.thefirearmblog.com/blog/2018/09/04/briley-3gun-m-lok-handguard-for-benelli-m2-shotguns/>.*

“TFB Review: New Remington 870 DM Detachable Magazine Fed Shotguns” [online]. Phil White. [Published on Dec. 4, 2017]. Retrieved from the Internet: <https://www.thefirearmblog.com/blog/2017/12/04/tfb-review-new-remington-870-dm-magazine-fed-shotguns/>.*

* cited by examiner

Primary Examiner — Khawaja Anwar

Assistant Examiner — Mojtaba Tehrani

(74) *Attorney, Agent, or Firm* — Kafantaris Law Offices;
Theo Kafantaris

(57) **CLAIM**

I claim the ornamental design for a handguard for a pump action shotgun, as shown and described.

DESCRIPTION

FIG. 1 is a front view of the handguard for a pump action shotgun, showing my new design;

FIG. 2 is a left side view thereof, the right side being a mirror image;

FIG. 3 is a top view thereof;

FIG. 4 is a bottom view thereof;

FIG. 5 is a rear view thereof;

FIG. 6 is a rear perspective view thereof; and,

FIG. 7 is a front perspective view thereof.

1 Claim, 3 Drawing Sheets

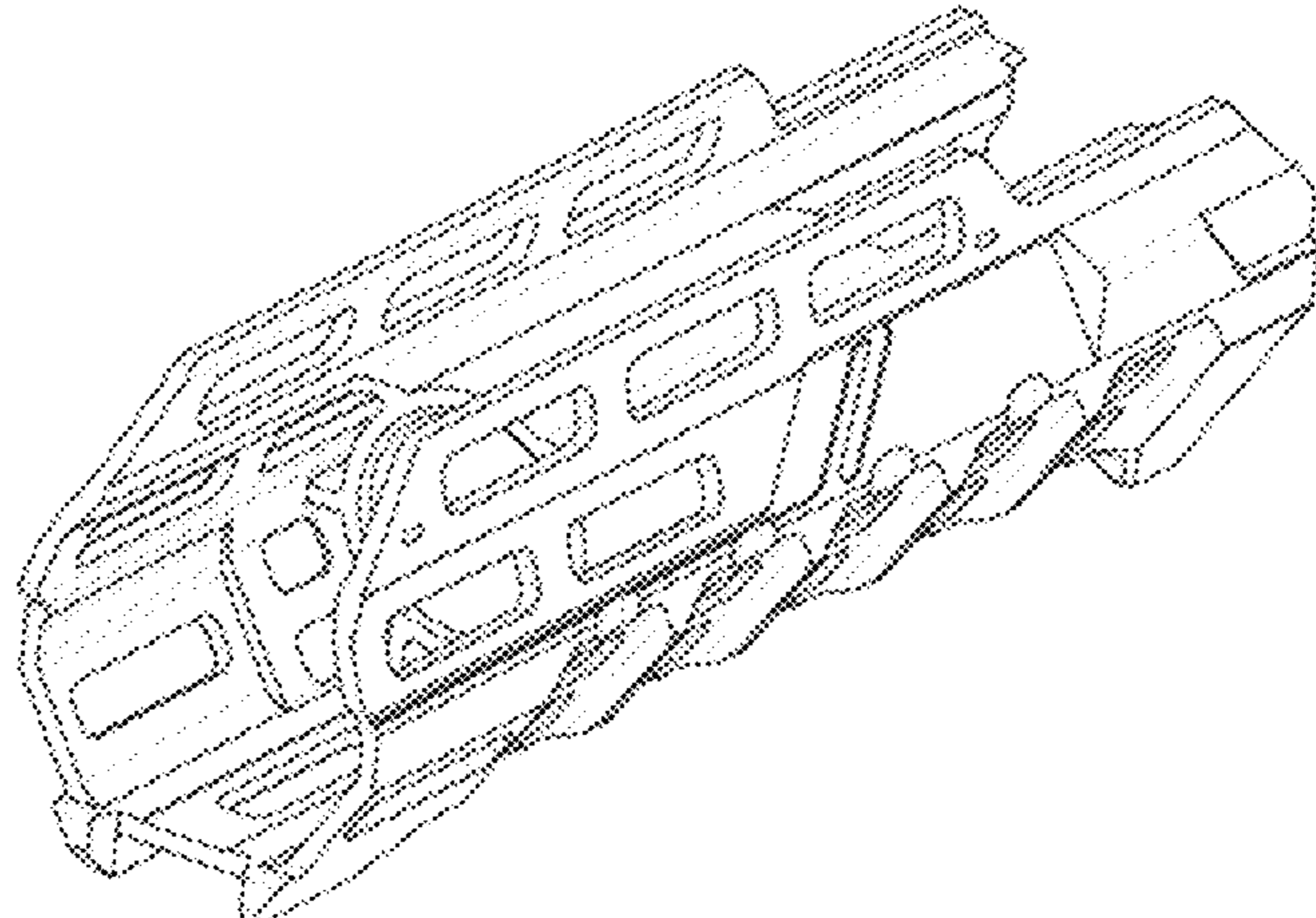
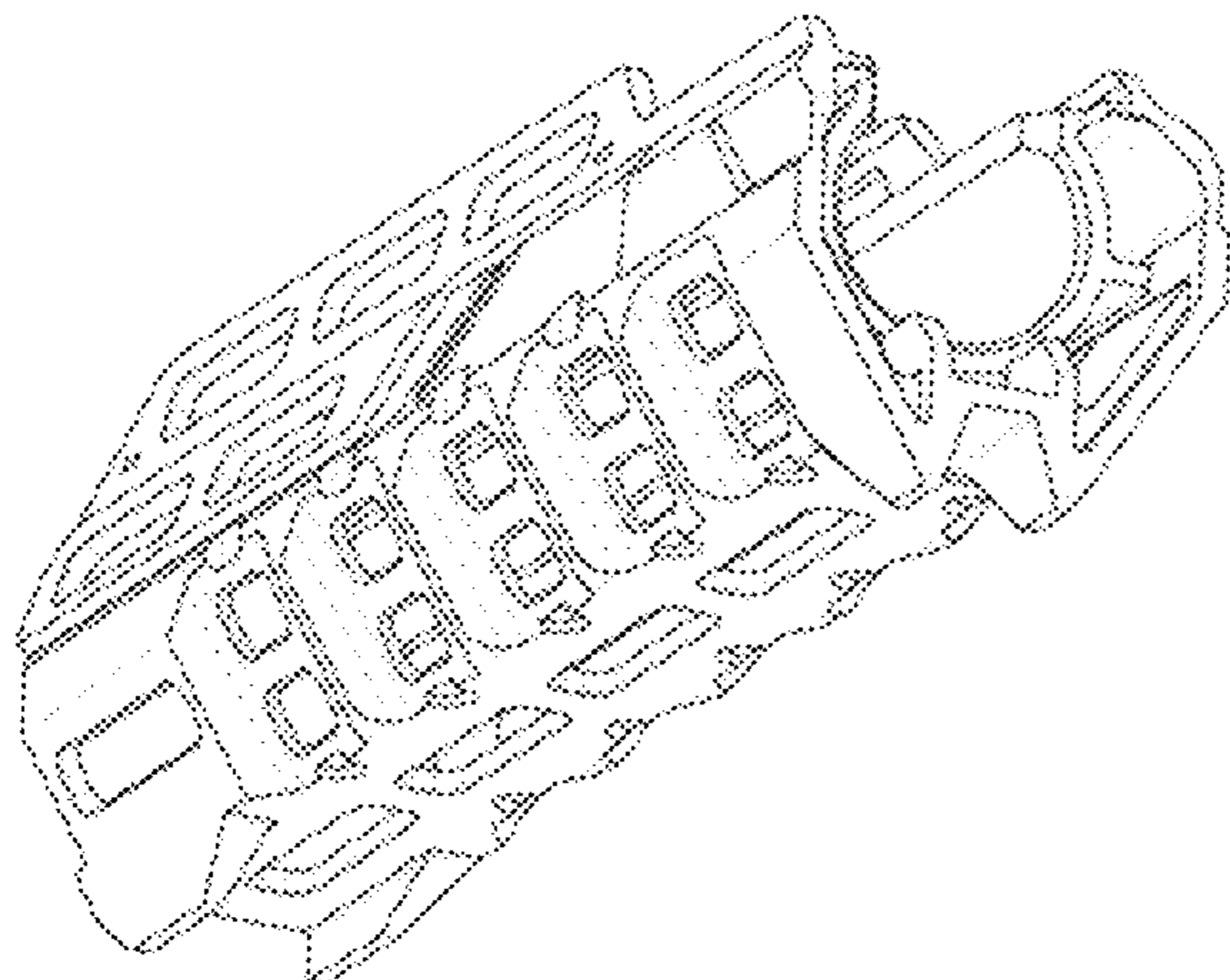


FIG. 1

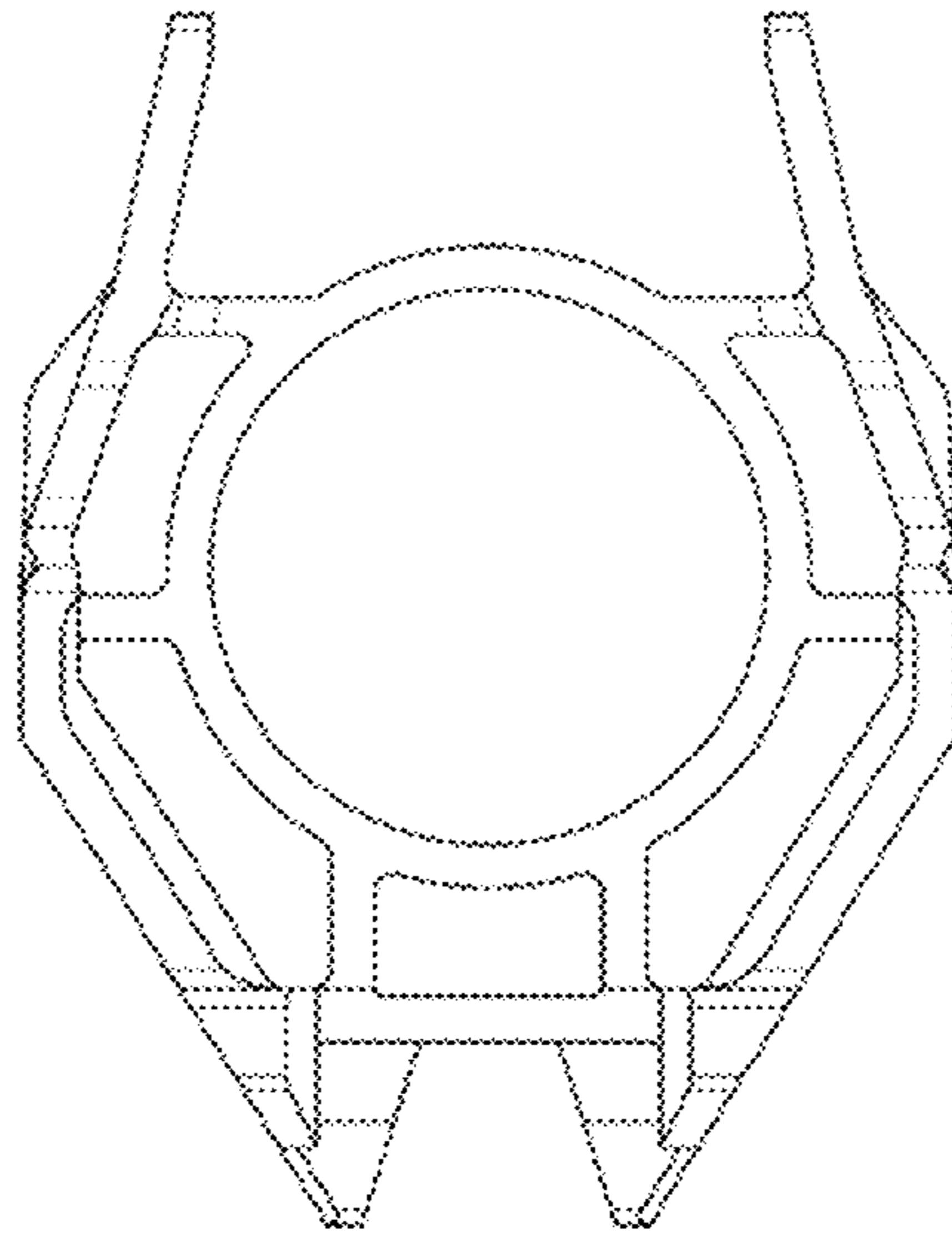


FIG. 2

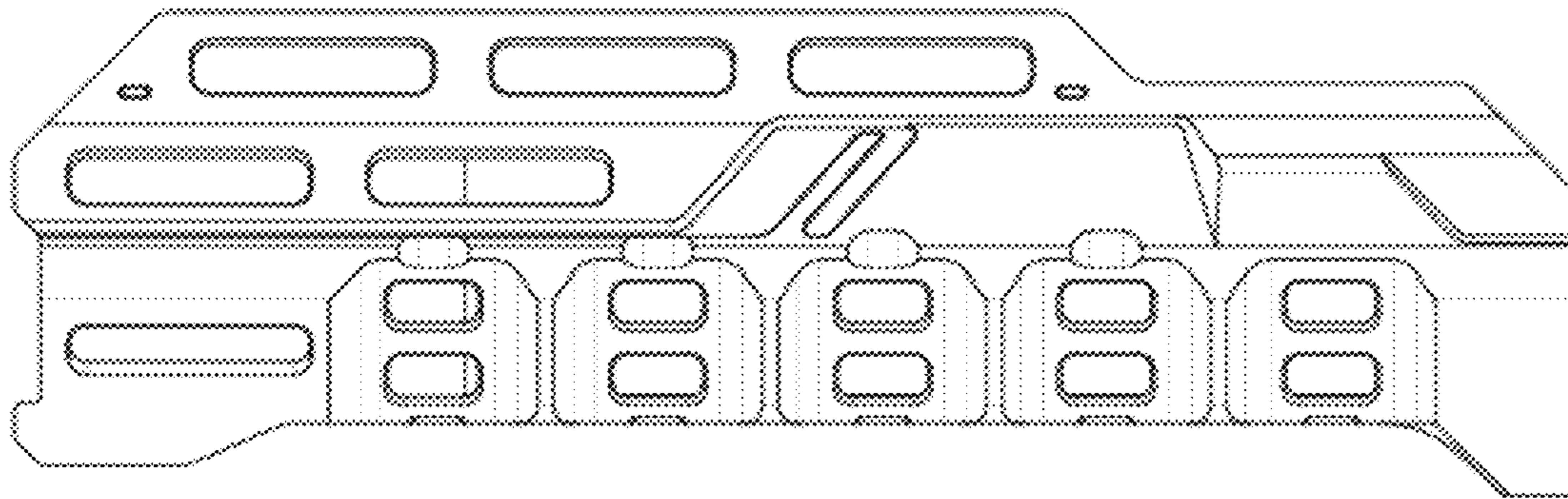


FIG. 3



FIG. 4

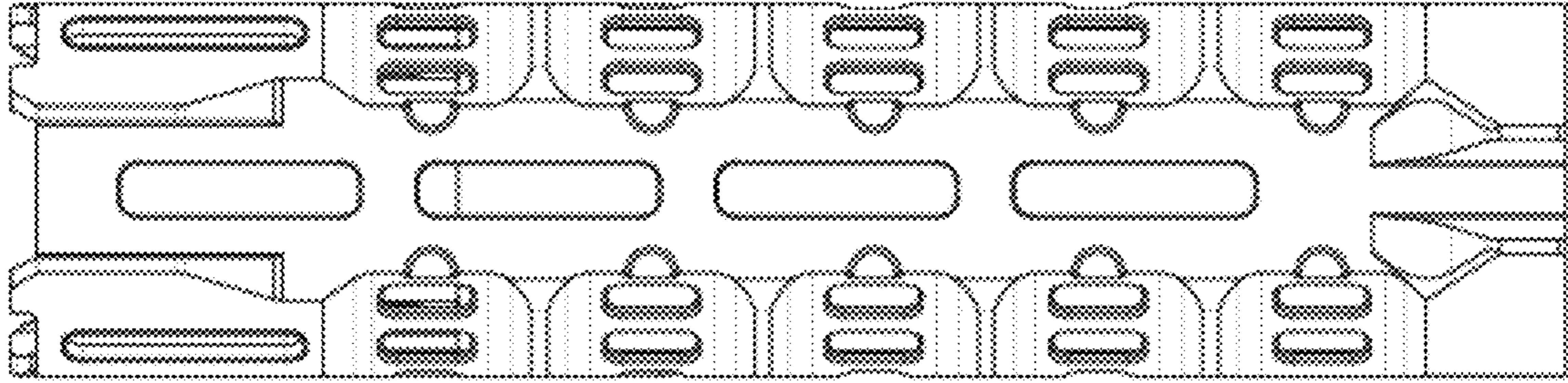


FIG. 5

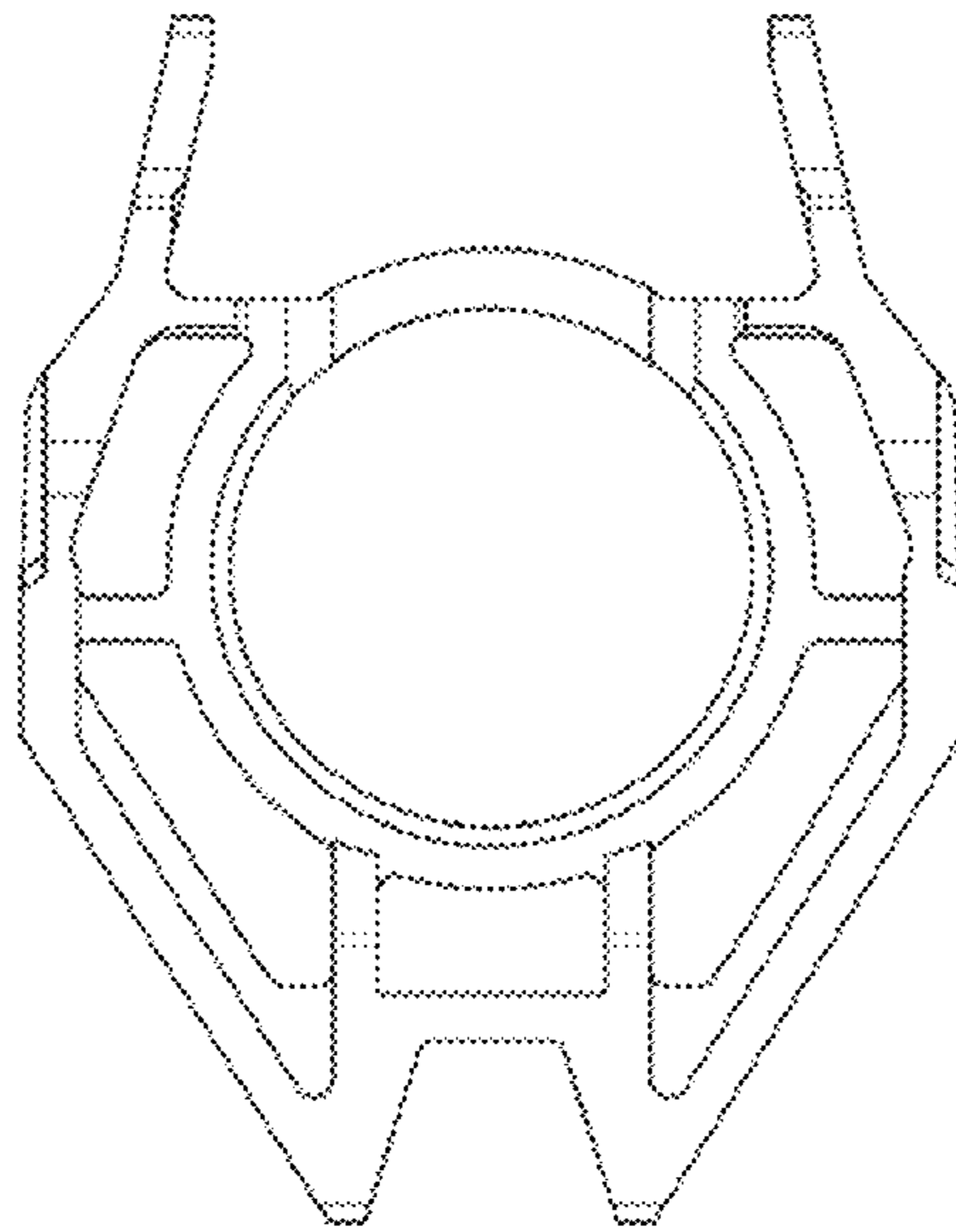


FIG. 6

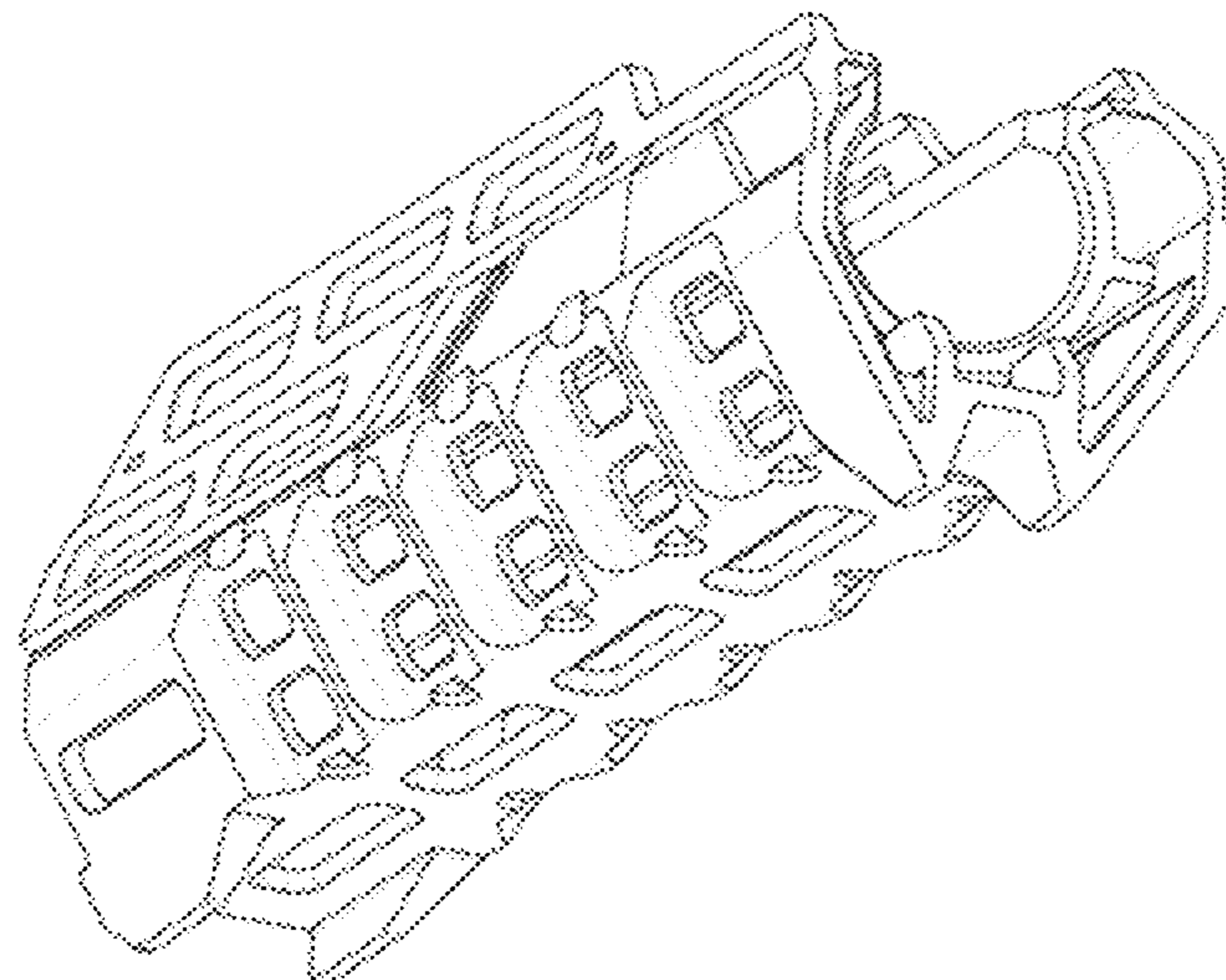


FIG. 7

