



US00D912185S

(12) **United States Design Patent**  
**Schinko**

(10) **Patent No.:** **US D912,185 S**

(45) **Date of Patent:** **\*\* Mar. 2, 2021**

(54) **WEIGHTED SWING TRAINING APPARATUS**

(71) Applicant: **Steven Schinko**, Laguna Hills, CA (US)

(72) Inventor: **Steven Schinko**, Laguna Hills, CA (US)

(\*\*) Term: **15 Years**

(21) Appl. No.: **29/697,893**

(22) Filed: **Jul. 12, 2019**

(51) **LOC (13) Cl.** ..... **21-02**

(52) **U.S. Cl.**  
USPC ..... **D21/791**

(58) **Field of Classification Search**  
USPC ..... D21/789, 791, 753  
CPC ..... A63B 69/3632; A63B 69/3638; A63B  
60/08-16; A63B 60/50-52  
See application file for complete search history.

(56) **References Cited**

**U.S. PATENT DOCUMENTS**

4,588,191	A *	5/1986	Stewart	.....	A63B 69/3638 273/DIG. 30
D290,150	S *	6/1987	Stewart	.....	D21/759
5,374,062	A *	12/1994	Kochevar	.....	A63B 53/08 473/312
5,769,734	A *	6/1998	Qualey, Sr.	.....	A63B 15/005 473/233
5,776,006	A *	7/1998	Gruber	.....	A63B 69/3638 473/256
6,083,116	A *	7/2000	Loredo	.....	A63B 69/3638 473/256

D444,838	S *	7/2001	Loredo	.....	D21/791
6,939,237	B1 *	9/2005	Voden	.....	A63D 15/08 473/44
D659,212	S *	5/2012	Smith	.....	D21/753
D682,964	S *	5/2013	Smith	.....	D21/753
D733,235	S *	6/2015	Smith	.....	D21/753
9,234,336	B2 *	1/2016	Yang	.....	E03C 1/0404
2002/0128085	A1 *	9/2002	Kallassy	.....	A63B 60/00 473/256

\* cited by examiner

*Primary Examiner* — Mitchell I. Siegel

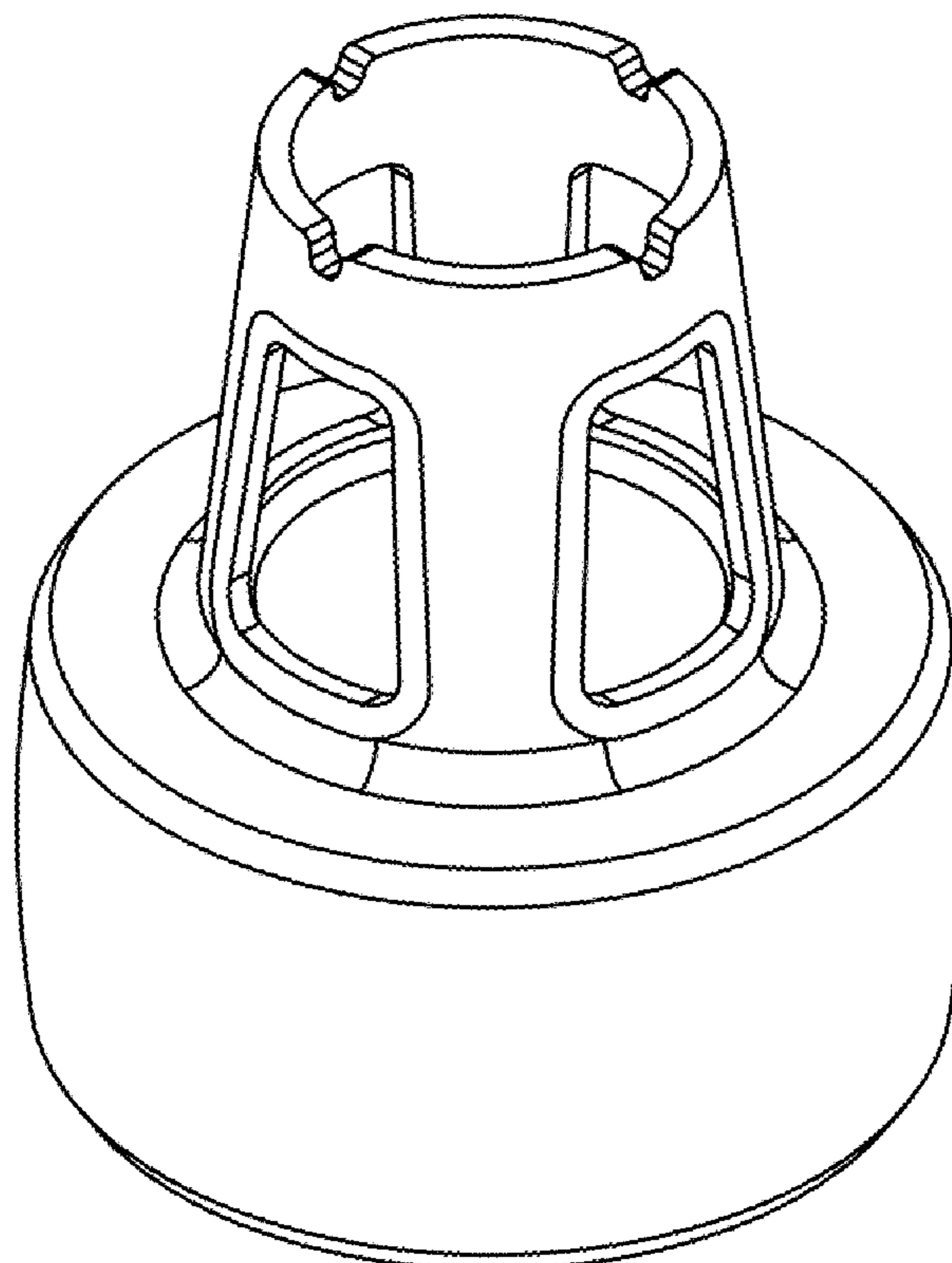
(57) **CLAIM**

The ornamental design for a weighted swing training apparatus, as shown.

**DESCRIPTION**

FIG. 1 is a perspective view of a weighted swing training apparatus showing my design;  
 FIG. 2 is a front elevational view of the weighted swing training apparatus;  
 FIG. 3 is a rear elevational view of the weighted swing training apparatus;  
 FIG. 4 is a right side elevational view of the weighted swing training apparatus;  
 FIG. 5 is a left side elevational view of the weighted swing training apparatus;  
 FIG. 6 is a top plan view of the weighted swing training apparatus; and,  
 FIG. 7 is a bottom plan view of the weighted swing training apparatus.

**1 Claim, 1 Drawing Sheet**



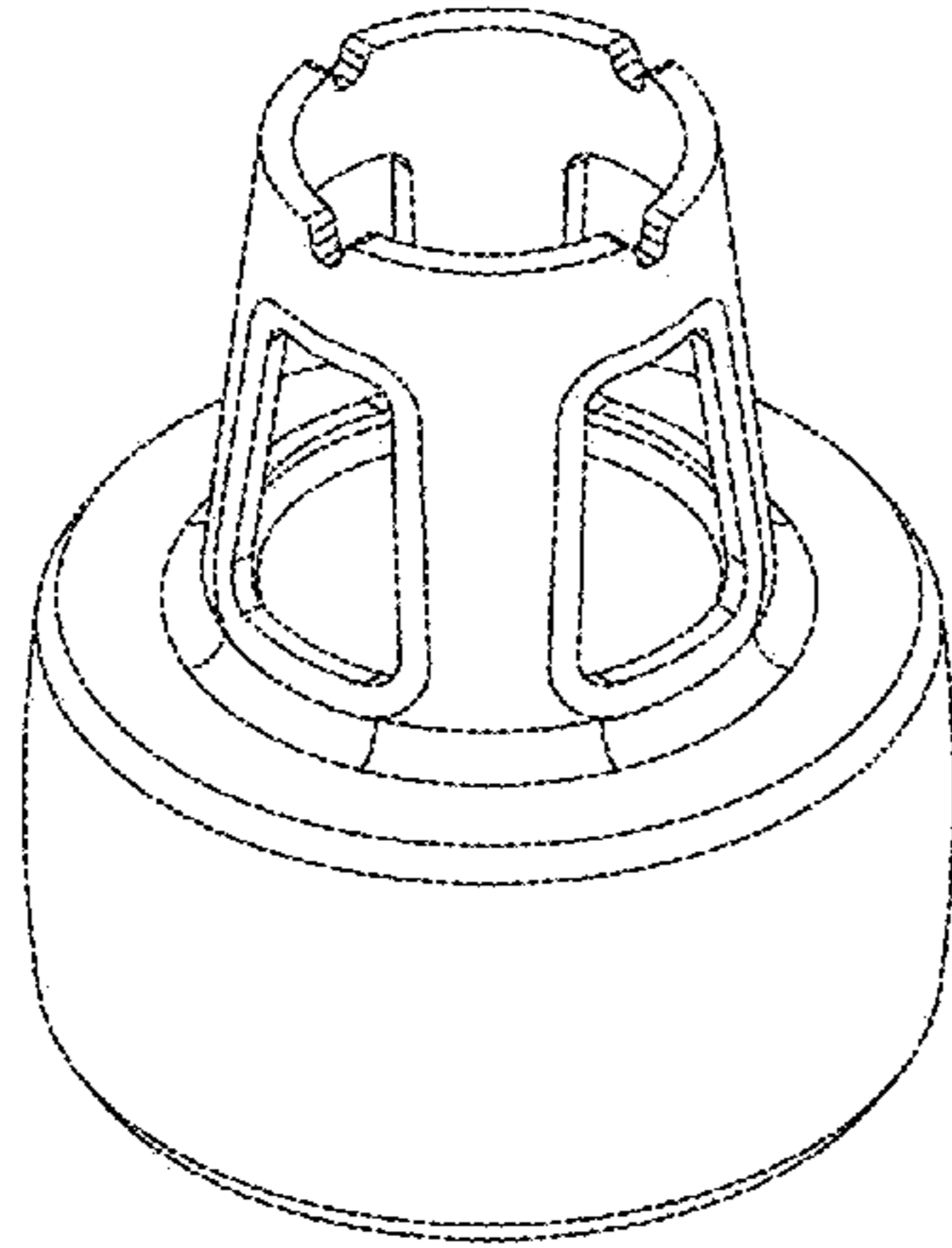


FIG. 1

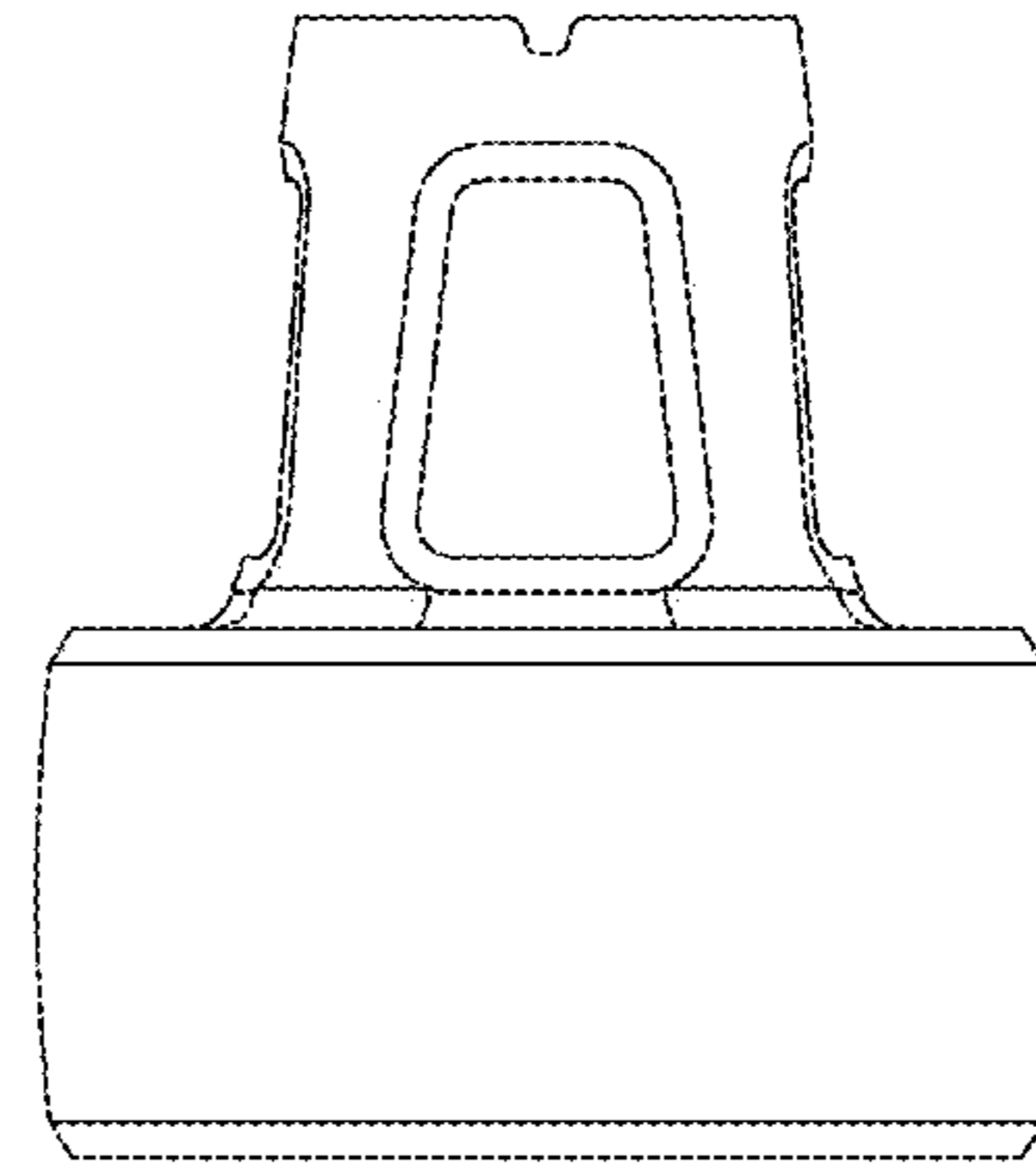


FIG. 2

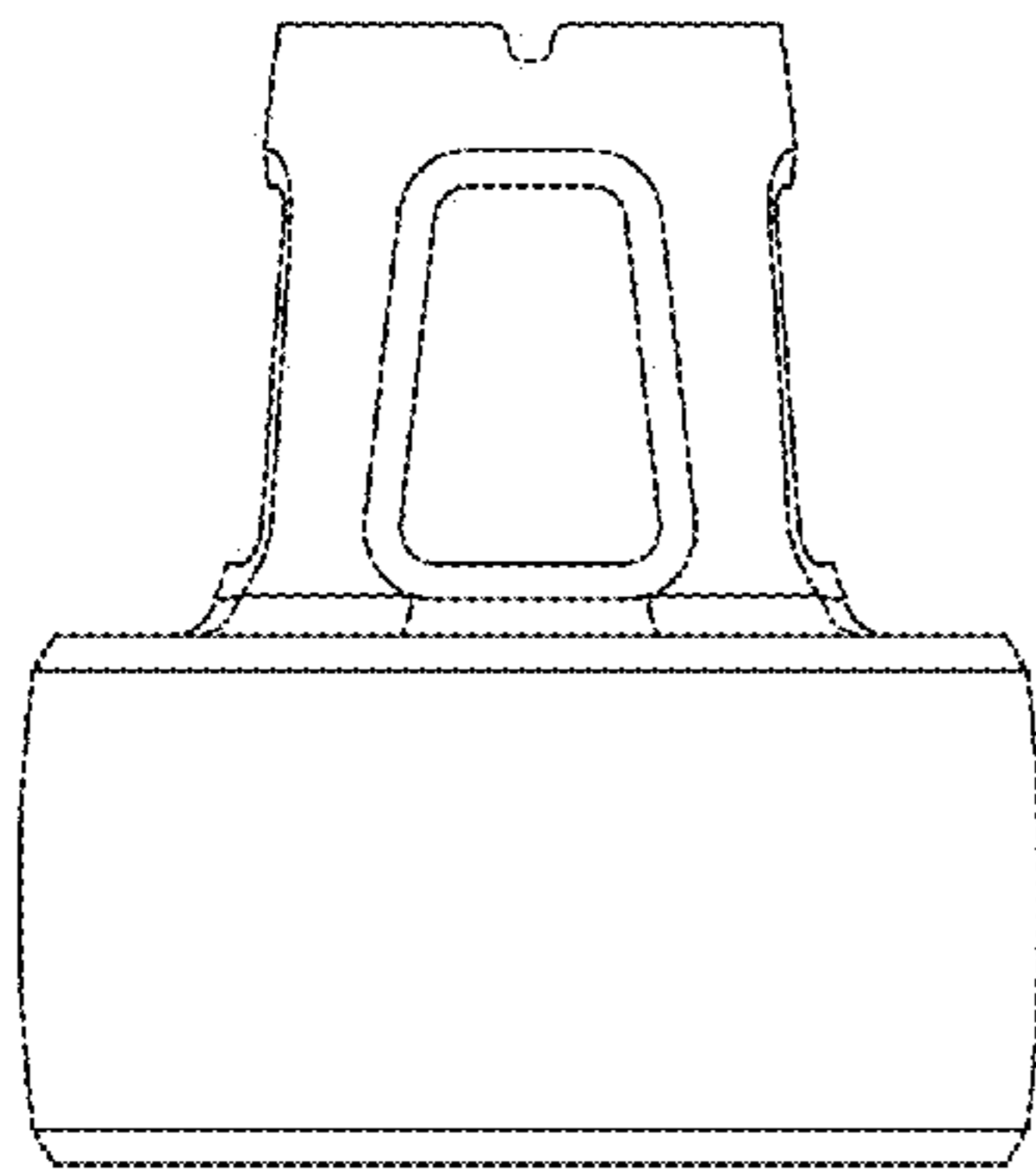


FIG. 3

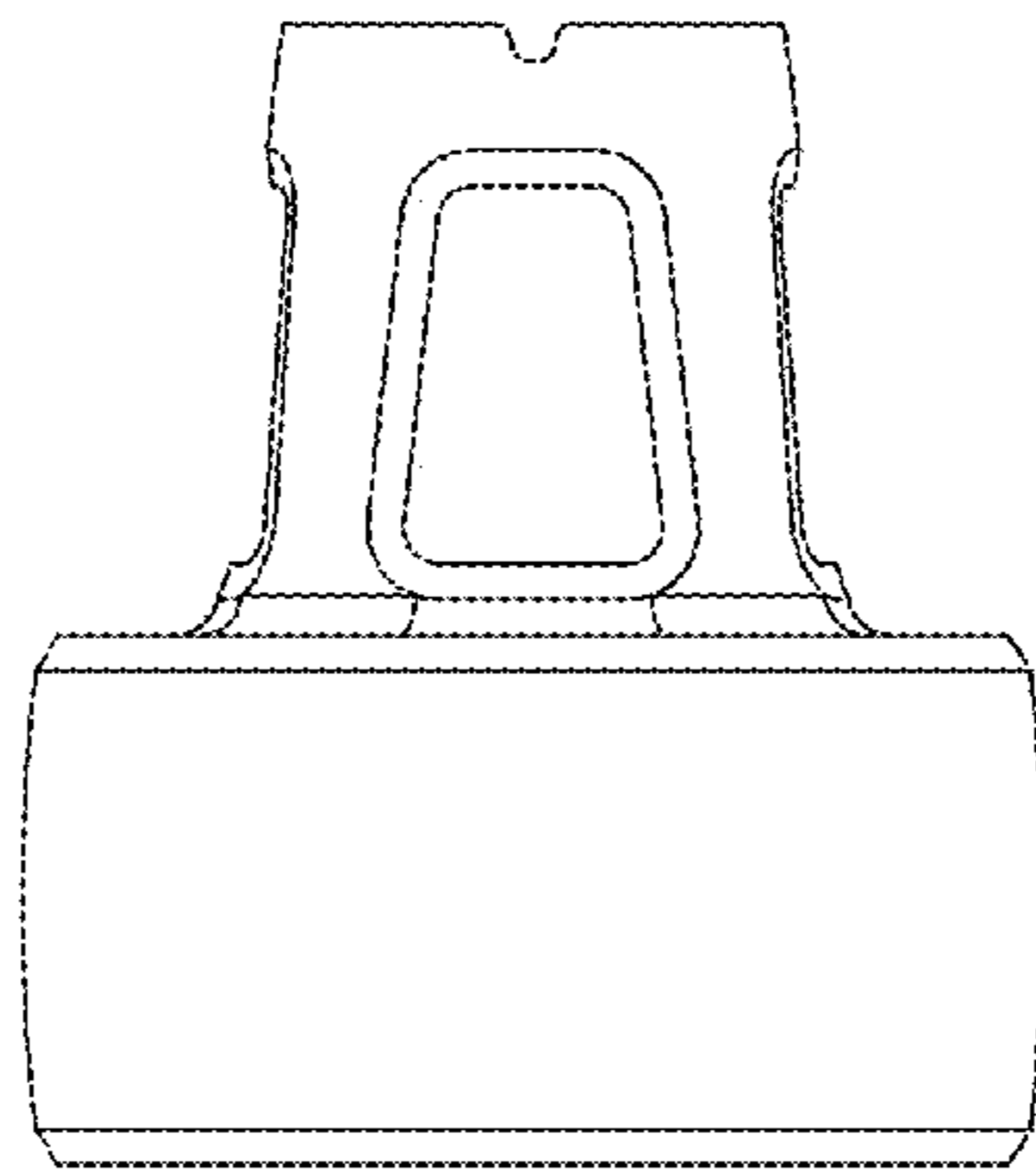


FIG. 4

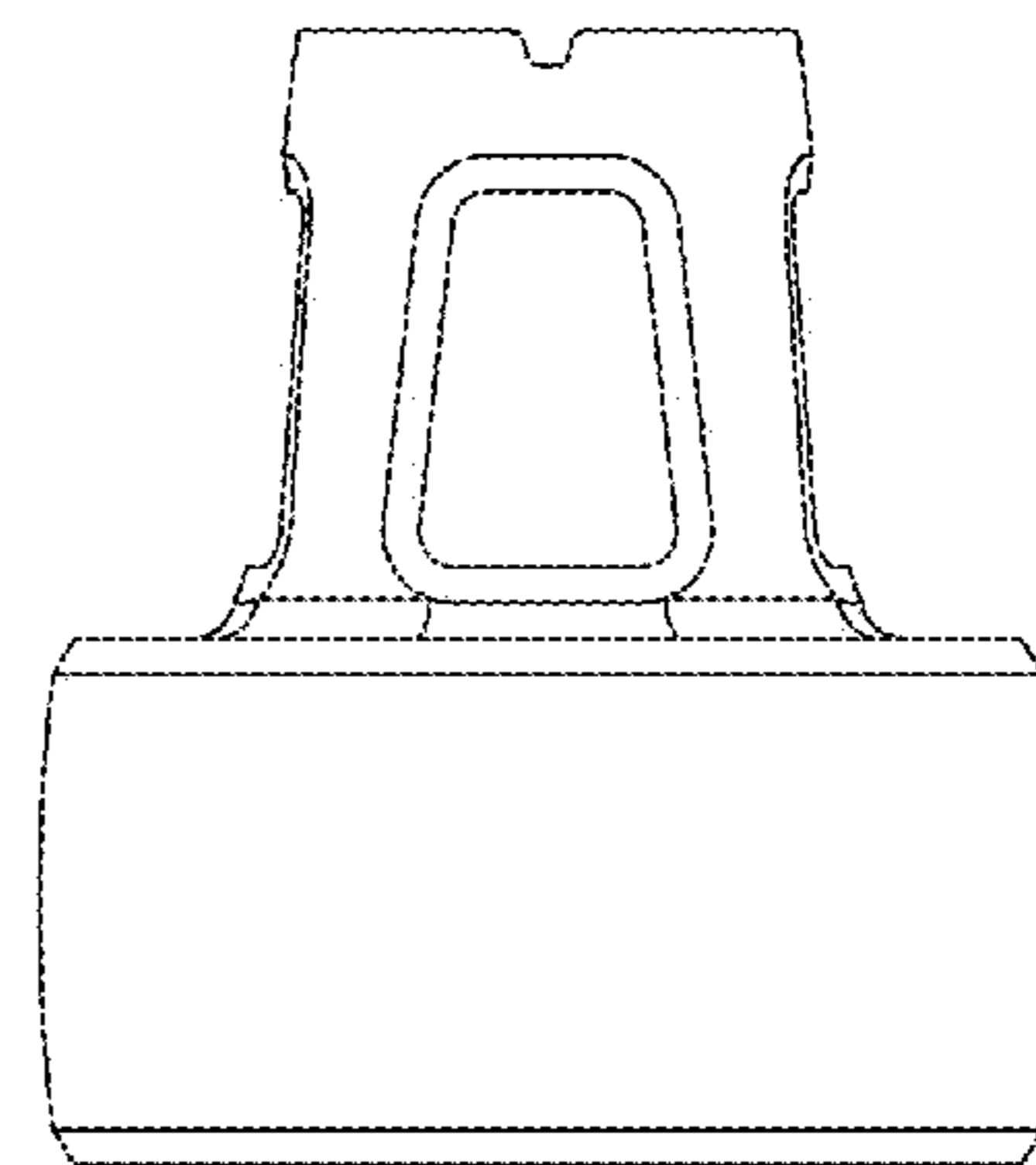


FIG. 5

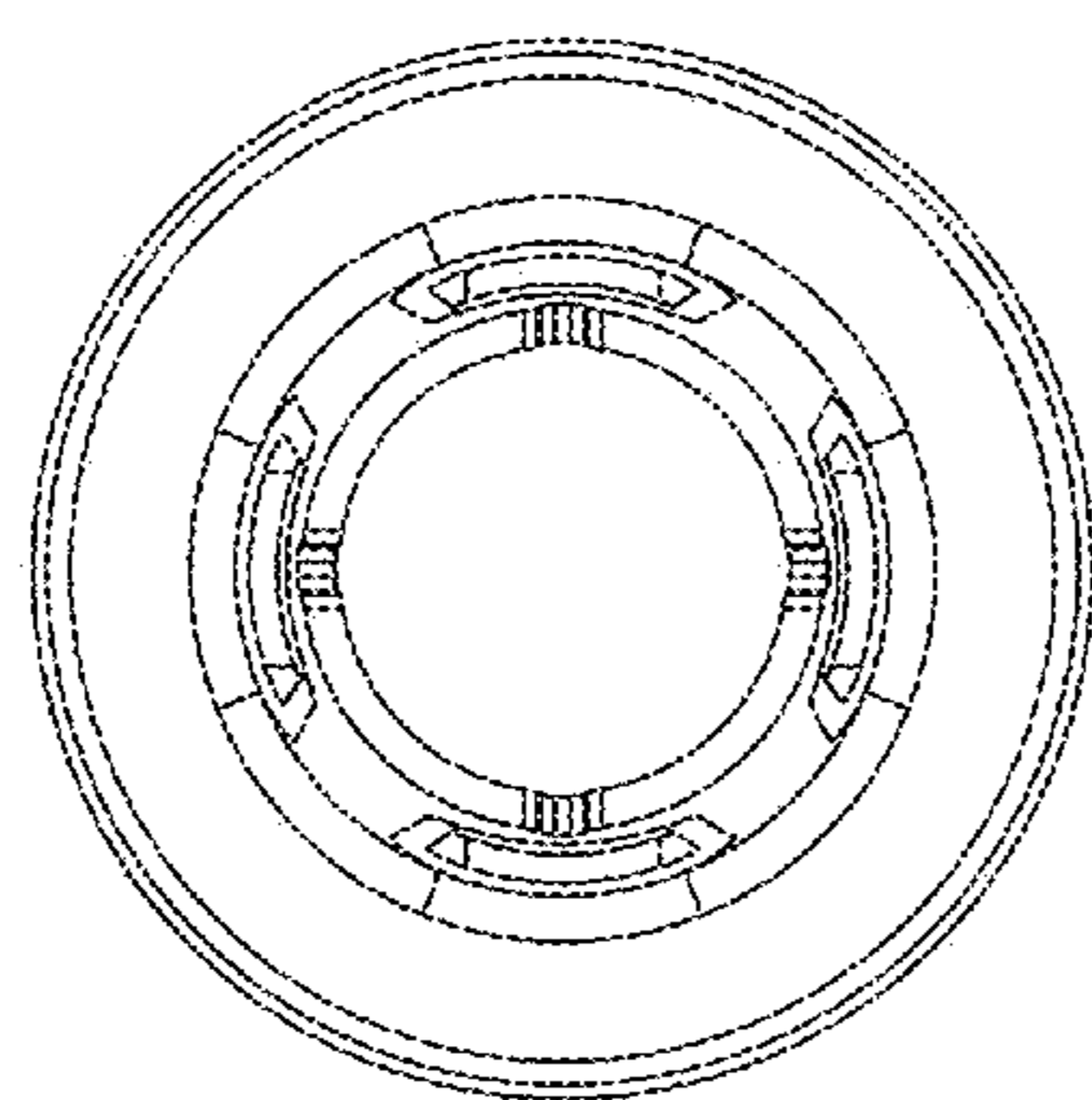


FIG. 6

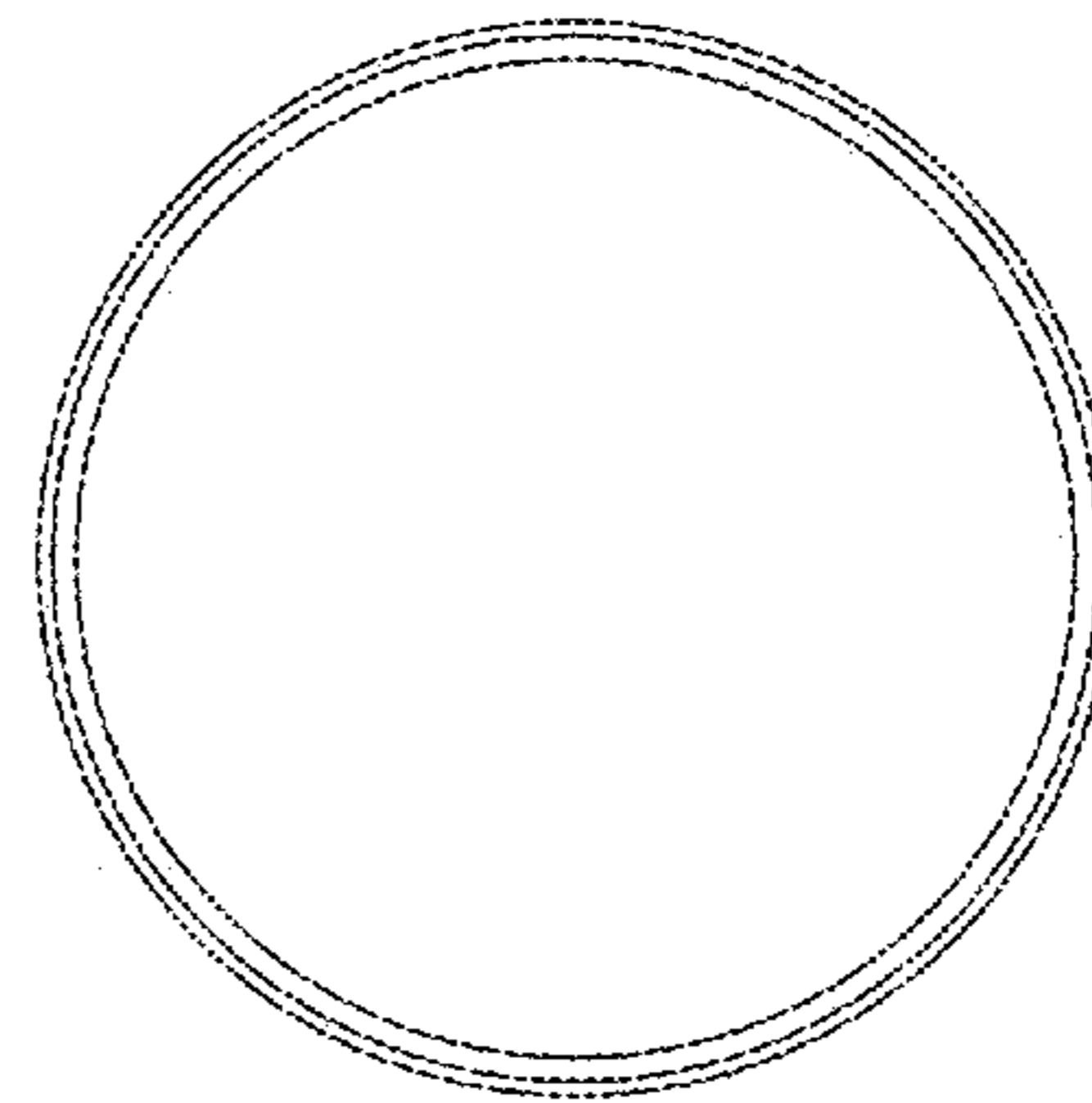


FIG. 7