



US00D912183S

(12) **United States Design Patent**  
**Chen**

(10) **Patent No.:** **US D912,183 S**

(45) **Date of Patent:** **\*\* Mar. 2, 2021**

- (54) **SWIMMING RESISTANCE ROPE**
- (71) Applicant: **Yong Chen**, Shenzhen (CN)
- (72) Inventor: **Yong Chen**, Shenzhen (CN)
- (\*\*) Term: **15 Years**
- (21) Appl. No.: **29/736,463**
- (22) Filed: **May 30, 2020**
- (51) **LOC (13) Cl.** ..... **21-02**
- (52) **U.S. Cl.**  
USPC ..... **D21/774**
- (58) **Field of Classification Search**  
USPC ..... D21/684-685, 760-761, 765-766,  
D21/768-77; D3/215, 327; D28/41  
CPC ..... B63B 32/70; B63B 32/73  
See application file for complete search history.

- 2015/0004859 A1\* 1/2015 Tascheri D'Ausilio .....  
B63B 32/70  
441/75
- 2017/0042124 A1\* 2/2017 Cooper ..... A01K 27/005
- 2019/0106839 A1\* 4/2019 Norrie ..... D07B 1/02
- 2019/0144085 A1\* 5/2019 Ventura ..... B63B 32/70  
441/75
- 2019/0176943 A1\* 6/2019 Sun ..... A45F 5/02
- 2019/0351980 A1\* 11/2019 Lundstedt, Jr. .... B63B 32/70
- 2020/0269958 A1\* 8/2020 West ..... B63B 34/60

\* cited by examiner

*Primary Examiner* — Zenia I Bennett

(74) *Attorney, Agent, or Firm* — Law Offices of Steven W. Weinrieb

(57) **CLAIM**

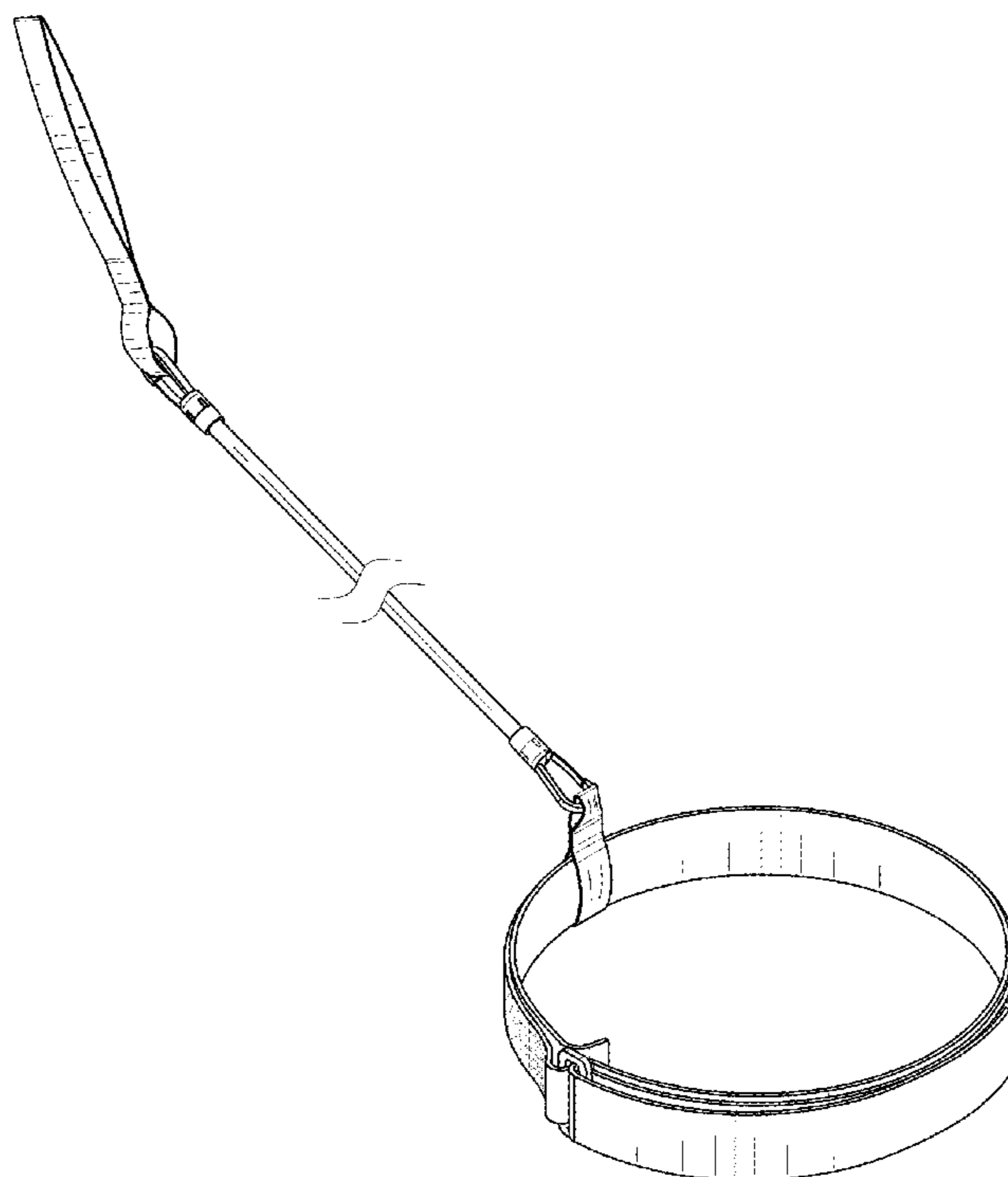
The ornamental design for a swimming resistance rope, as shown and described.

**DESCRIPTION**

FIG. 1 is a front, right side, top perspective view of a swimming resistance rope showing my new design;  
 FIG. 2 is a front elevational view thereof;  
 FIG. 3 is a rear elevational view thereof;  
 FIG. 4 is a left side elevational view thereof;  
 FIG. 5 is a right side elevational view thereof;  
 FIG. 6 is a top plan view thereof; and  
 FIG. 7 is a bottom plan view thereof; and,  
 FIG. 8 is a front, right side, top perspective view thereof showing the rope in a contracted coiled state.  
 The broken away symbols in the drawings indicate the appearance of any portion of the swimming resistance rope between the break lines form no part of the claimed design.

**1 Claim, 8 Drawing Sheets**

- (56) **References Cited**  
U.S. PATENT DOCUMENTS
- 4,041,562 A \* 8/1977 Nealy ..... B63B 32/70  
441/75
- 4,044,415 A \* 8/1977 Wood ..... B63B 32/70  
441/75
- D342,560 S 12/1993 Cross
- D360,452 S 7/1995 Gessler
- D389,549 S 1/1998 Beers
- D451,569 S 12/2001 Marx
- 8,894,457 B1 \* 11/2014 Crozier ..... B63B 32/70  
441/75
- 2014/0315455 A1 \* 10/2014 Simon Hanska ..... B63B 32/70  
441/75
- 2014/0357140 A1 \* 12/2014 Falken ..... B63B 32/70  
441/75



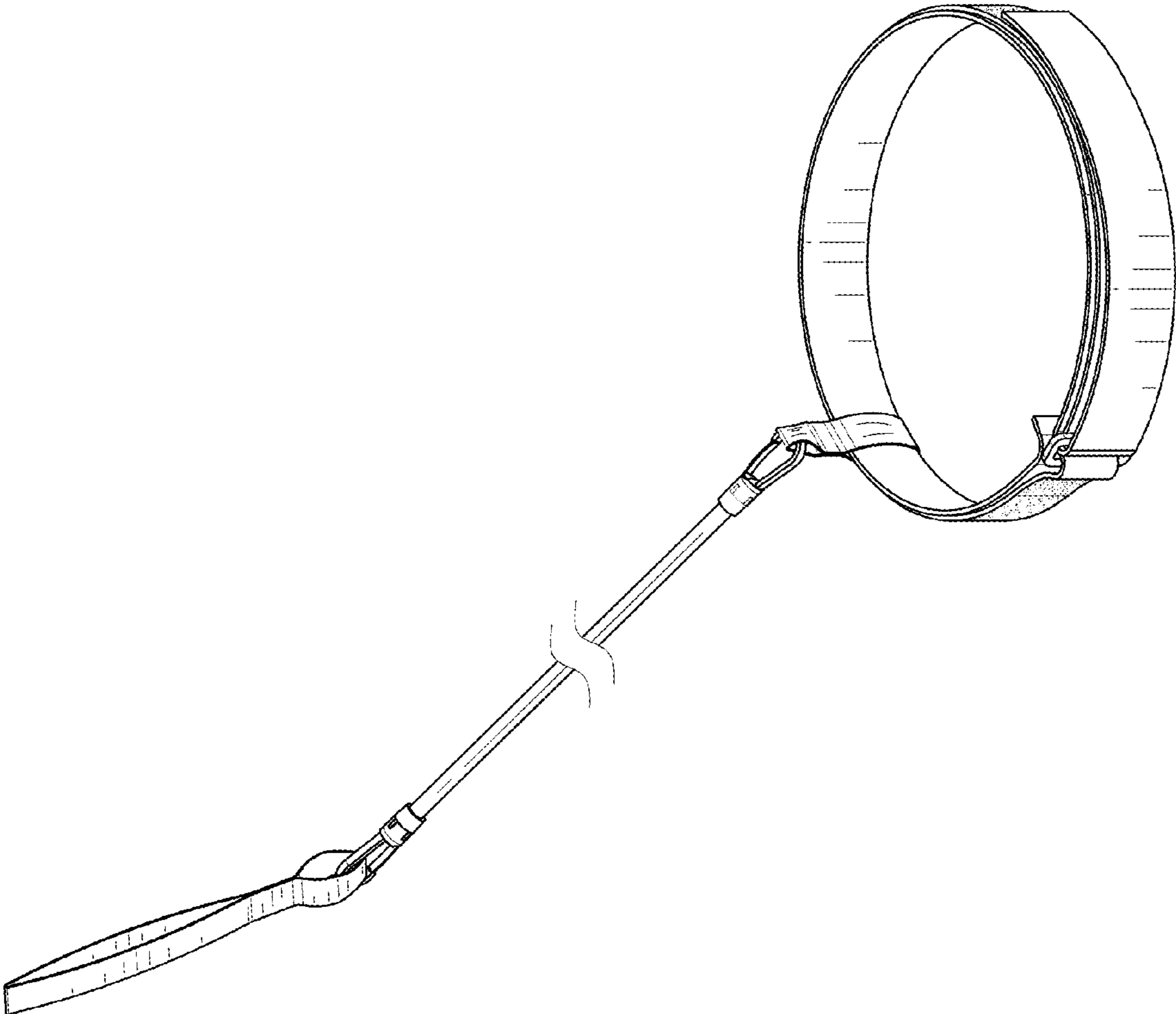


FIG.1

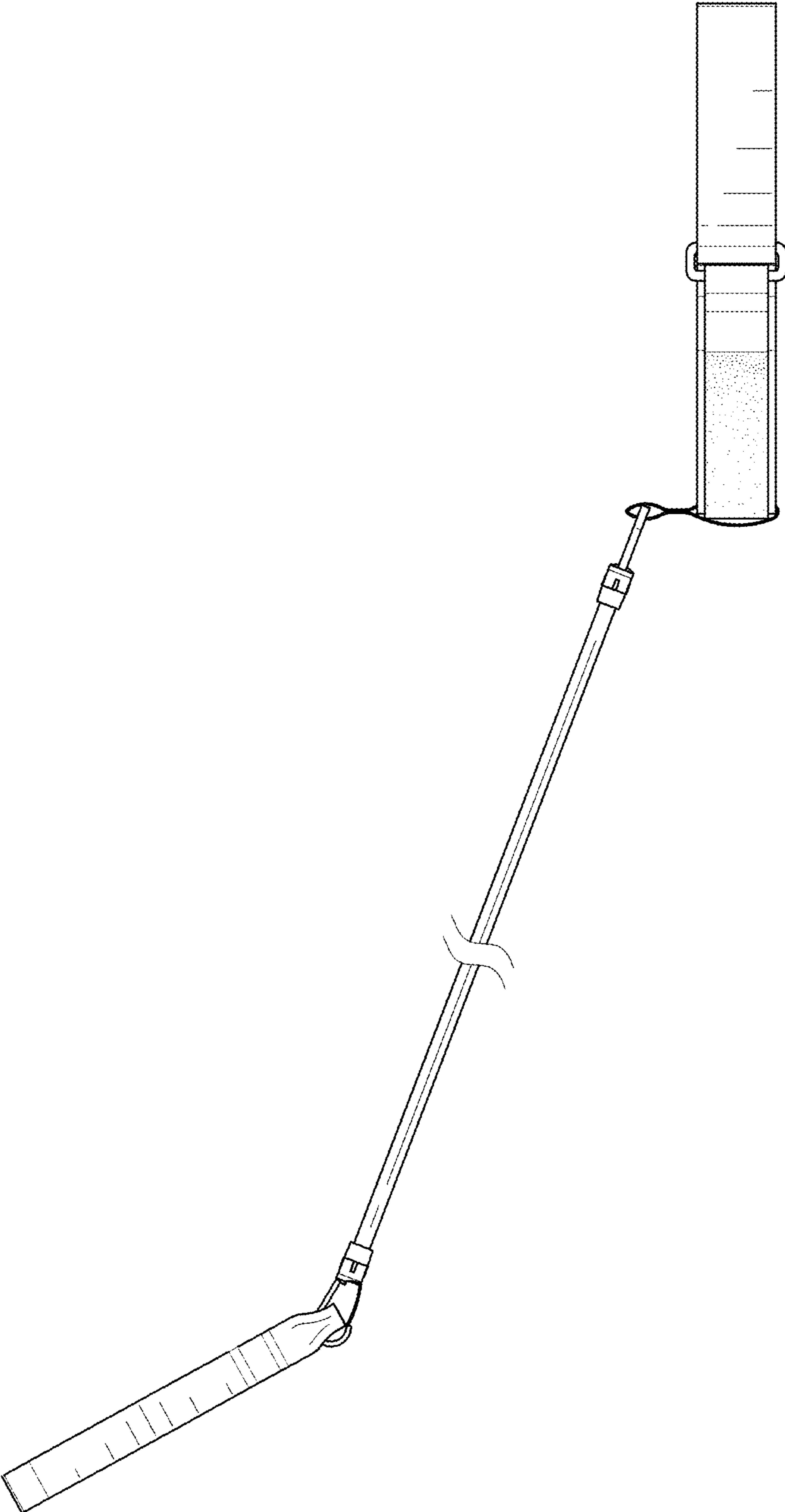


FIG.2

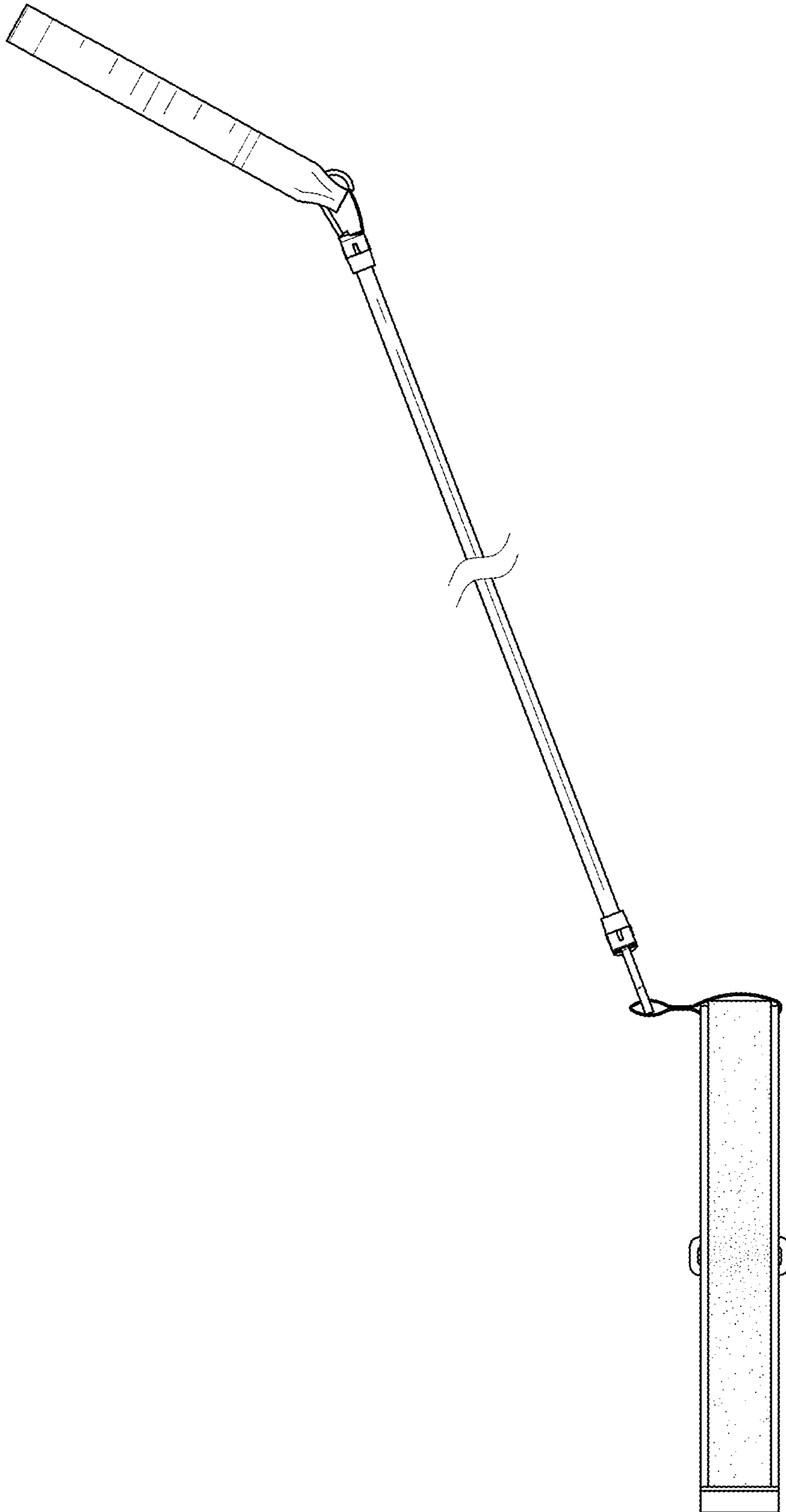


FIG.3

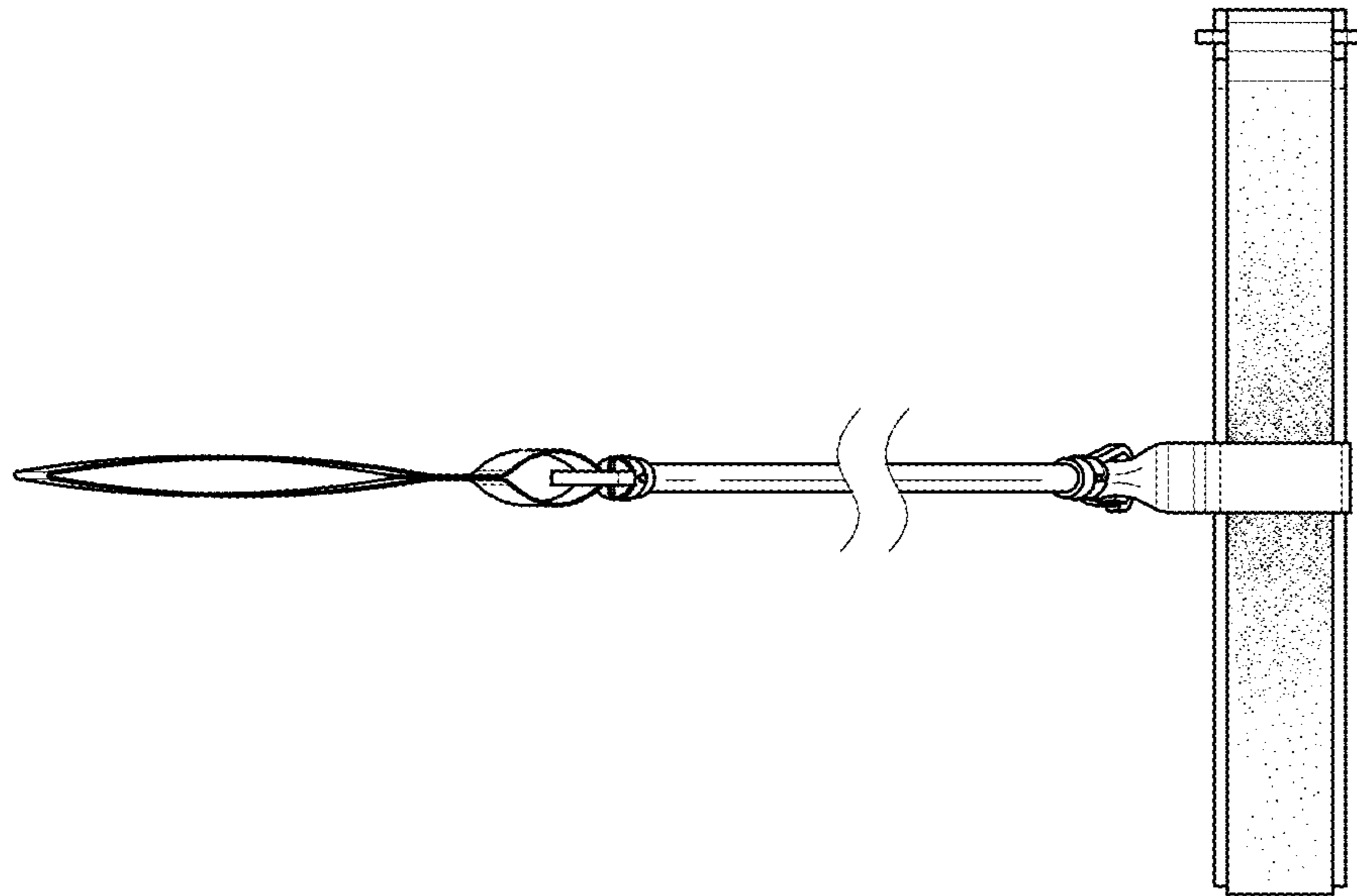


FIG.4

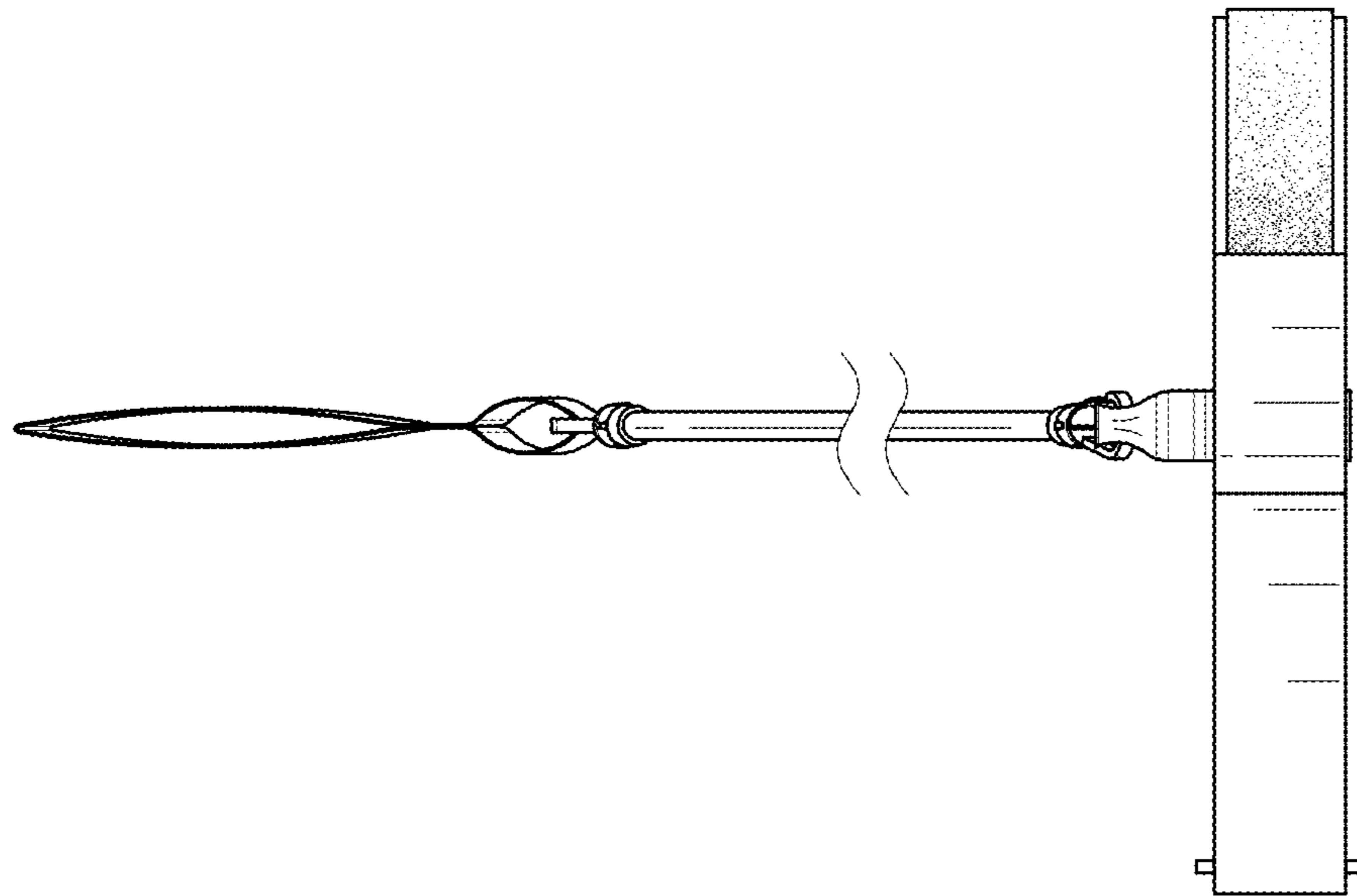


FIG.5

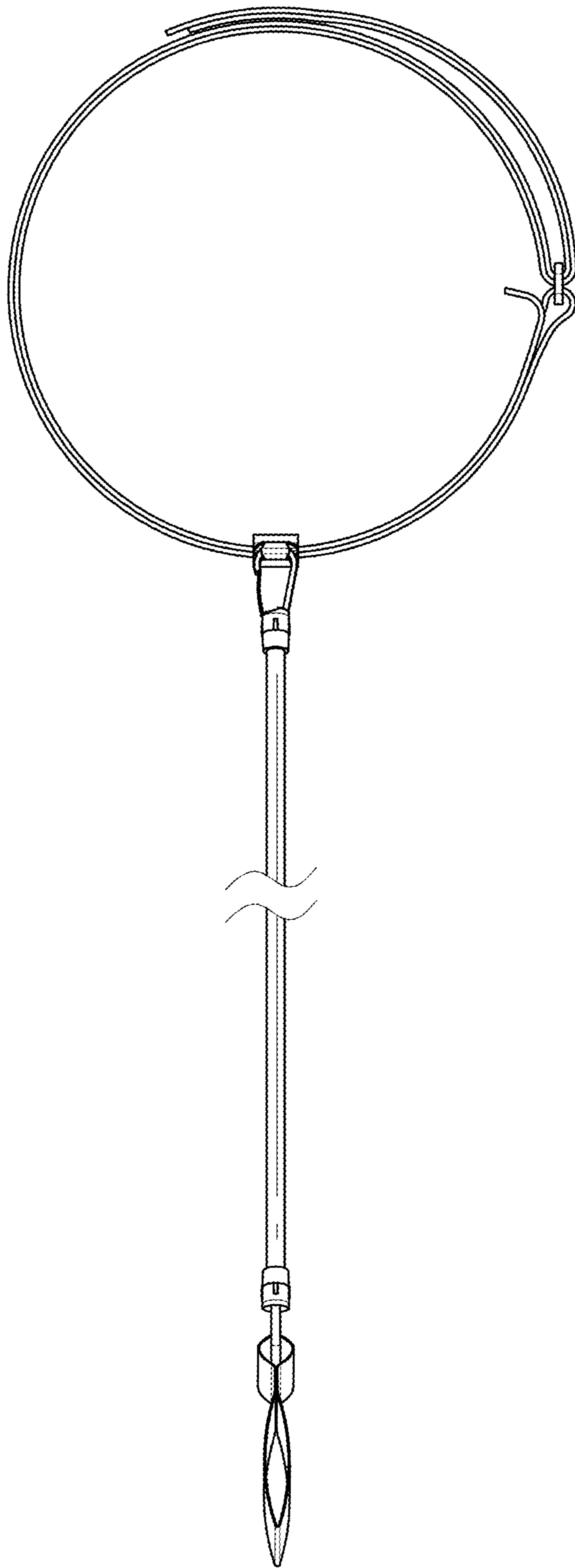


FIG.6

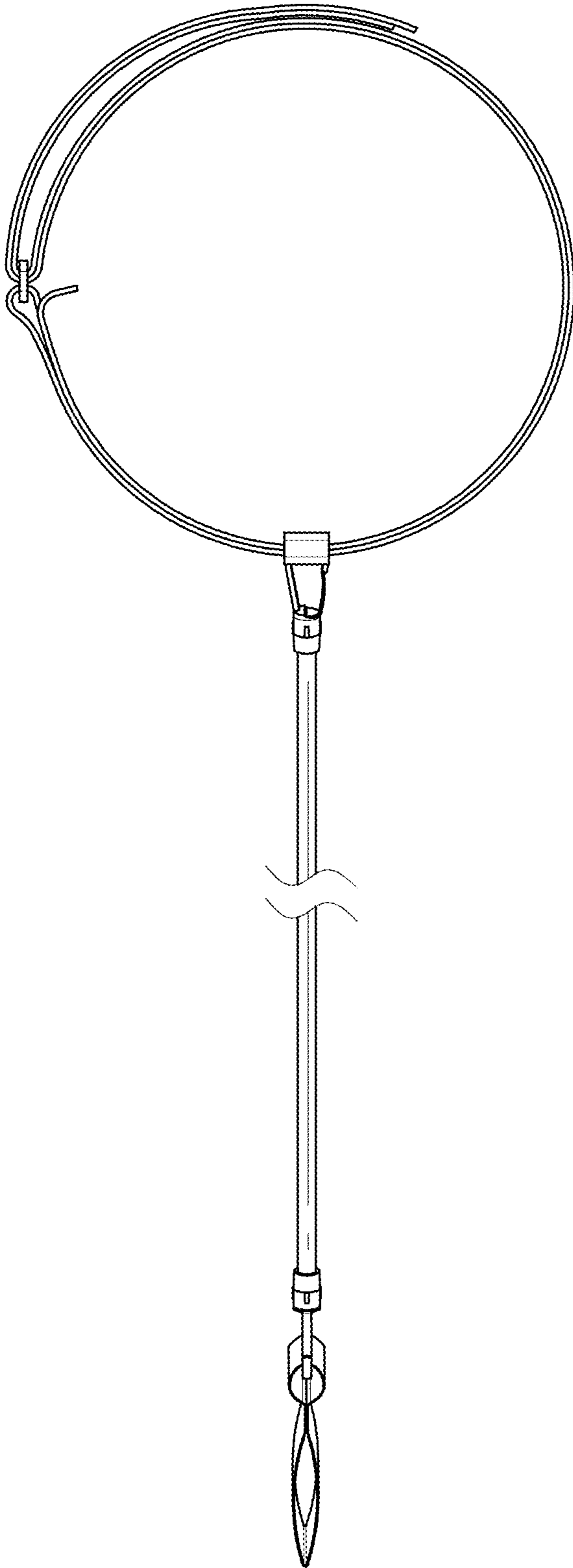


FIG.7



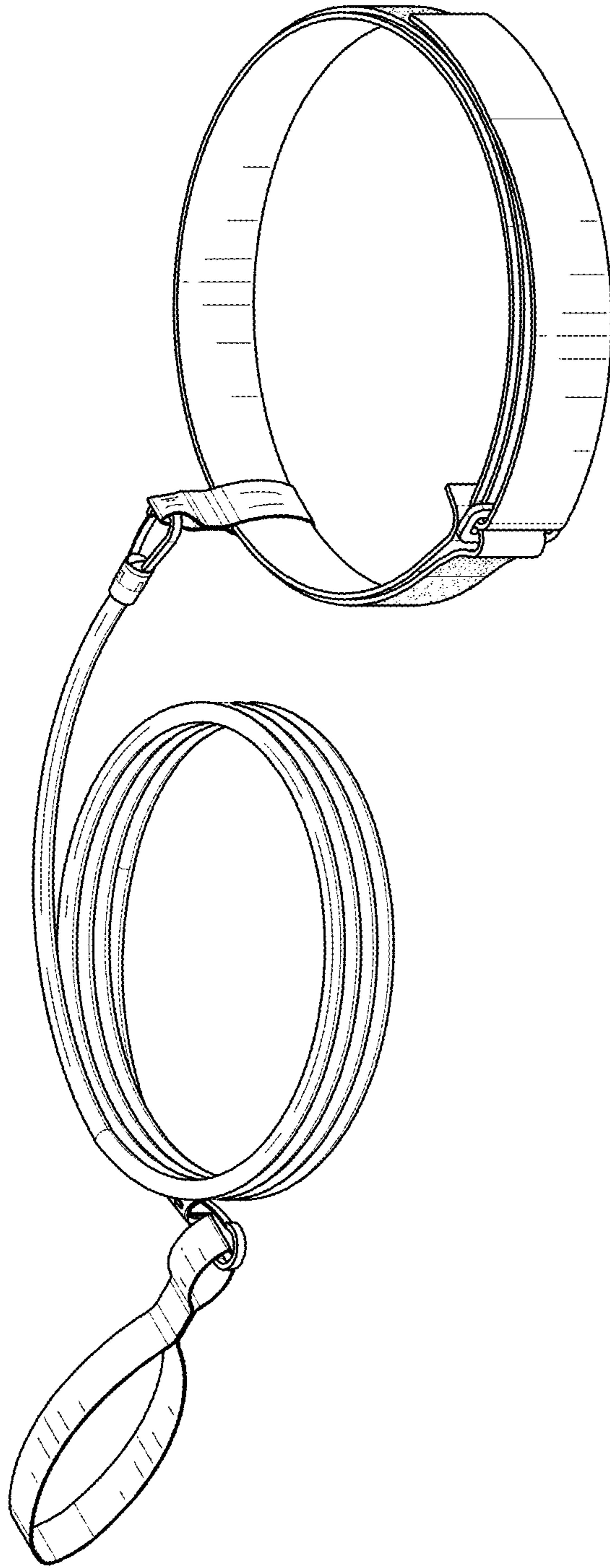


FIG.8