



US00D912180S

(12) **United States Design Patent** (10) **Patent No.:** **US D912,180 S**
Desberg et al. (45) **Date of Patent:** **** Mar. 2, 2021**

(54) **PERSONAL MOBILITY VEHICLE**
(71) Applicant: **RAZOR USA LLC**, Cerritos, CA (US)
(72) Inventors: **Ian Desberg**, Cerritos, CA (US);
Marco Alferez, Cerritos, CA (US)

1,194,102 A 8/1916 Webb
1,387,091 A 8/1921 Woolley et al.
1,550,985 A 8/1925 Schluesselburg
1,603,529 A 10/1926 Faust
(Continued)

(73) Assignee: **RAZOR USA LLC**, Cerritos, CA (US)
(**) Term: **15 Years**

FOREIGN PATENT DOCUMENTS

AU 2005100475 6/2005
CN 2273210 Y 1/1998
(Continued)

(21) Appl. No.: **29/618,005**

OTHER PUBLICATIONS

(22) Filed: **Sep. 18, 2017**
(51) **LOC (13) Cl.** **21-02**
(52) **U.S. Cl.**
USPC **D21/763**

<https://www.amazon.com/Razor-Turbo-Jetts-Electric-Wheels/dp/B07H6RB4MX?th=1> (Year: 2018).*
(Continued)

(58) **Field of Classification Search**
USPC D12/86, 88, 90-92, 164, 173, 184-186,
D12/190, 196; D21/419, 421, 423,
D21/424-426, 433-434, 435, 548, 549,
D21/550, 552, 559, 561, 763
CPC A63H 17/26; A63H 17/262; A63H 17/264;
A63H 17/266; A63H 17/36; A63H 17/38;
A63H 29/00; A63H 29/22; A63H 29/24;
A63H 30/04

Primary Examiner — Manpreet S Matharu
Assistant Examiner — Keith J Wilson
(74) *Attorney, Agent, or Firm* — Knobbe Martens Olson
& Bear, LLP

See application file for complete search history.

(57) **CLAIM**

The ornamental design for a personal mobility vehicle, as shown and described.

(56) **References Cited**

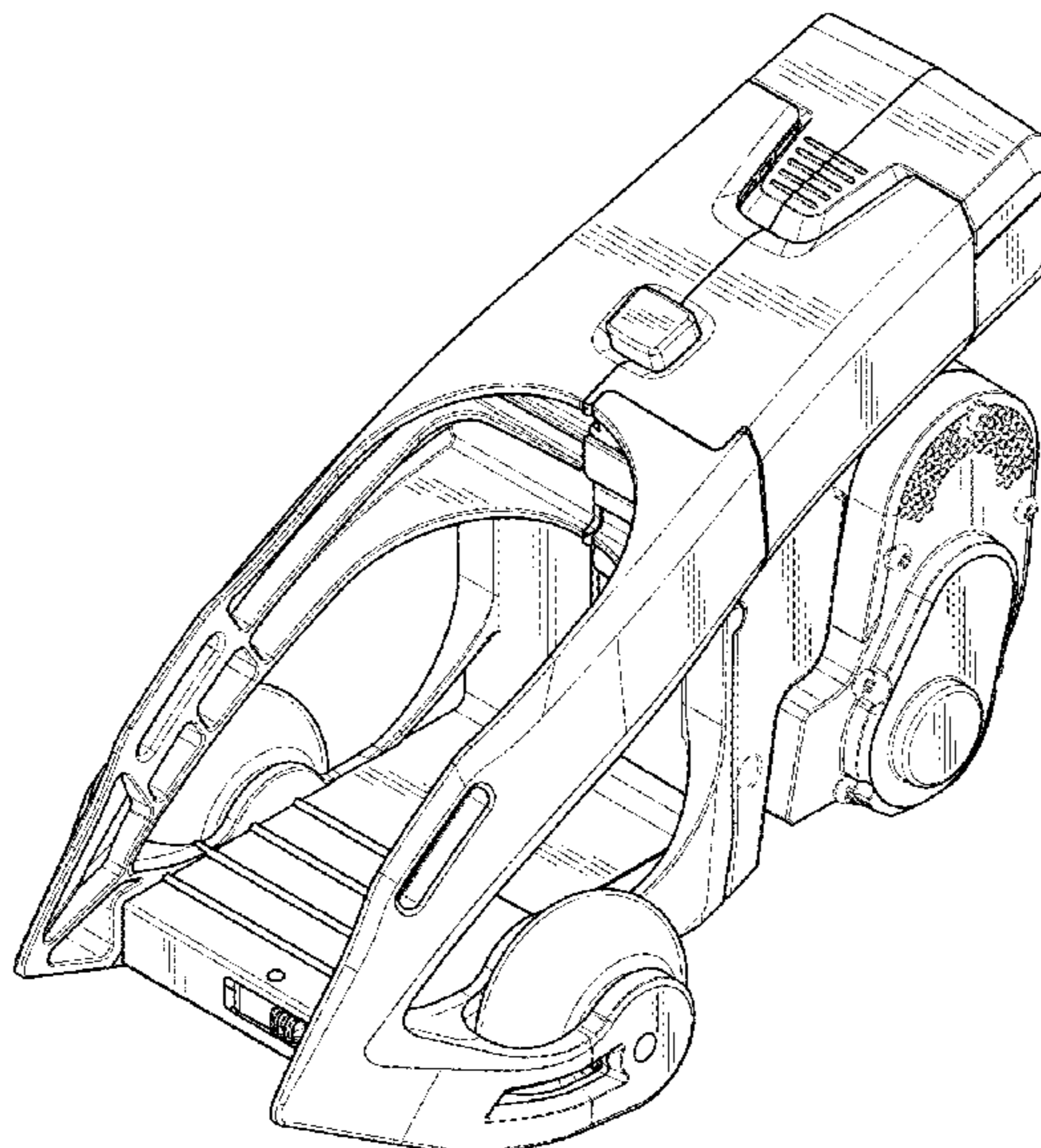
U.S. PATENT DOCUMENTS

213,546 A 3/1879 Cornelius
215,081 A 5/1879 Turnbull
252,970 A 1/1882 Price et al.
253,735 A 2/1882 Marshall
304,949 A 9/1884 Mitchell
311,936 A 2/1885 Wisewell
319,839 A 6/1885 Nelson
321,434 A 7/1885 Hanson
321,466 A 7/1885 Wall
329,927 A 11/1885 Mendenhall
1,018,512 A 2/1912 Mees
1,075,250 A 10/1913 Gingold

DESCRIPTION

FIG. 1 is a front, top, and left side perspective view of an embodiment of a personal mobility vehicle of our design; FIG. 2 is a front, top, and right side perspective view thereof; FIG. 3 is a front view thereof; FIG. 4 is a rear view thereof; FIG. 5 is a left side view thereof; FIG. 6 is a right side view thereof; FIG. 7 is a top view thereof; and, FIG. 8 is a bottom view thereof. The broken lines shown represent portions of a personal mobility vehicle and form no part of the claimed design.

1 Claim, 8 Drawing Sheets



(56)

References Cited

U.S. PATENT DOCUMENTS

1,632,997 A	6/1927	Connolly	6,189,898 B1	2/2001	Benoit
1,728,063 A	9/1929	James	6,206,388 B1	3/2001	Ouboter
1,784,761 A	12/1930	Smith	6,241,264 B1	6/2001	Page
1,854,188 A	4/1932	Gregory	6,286,843 B1	9/2001	Lin
1,935,187 A	11/1933	Kitselman	6,298,952 B1	10/2001	Tsai
2,051,762 A	8/1936	Vincent	6,299,186 B1	10/2001	Kao et al.
2,077,274 A	4/1937	Silkman	6,302,415 B1	10/2001	Wang et al.
2,126,359 A	8/1938	Vogt	6,406,039 B1	1/2002	Chen
2,216,359 A	10/1940	Spencer	6,345,827 B1	2/2002	Benoit
2,413,530 A	12/1946	Taylor	6,352,270 B1	3/2002	Wu
2,430,037 A	11/1947	Vincent	6,386,330 B1	5/2002	Wei
2,474,082 A	6/1949	Wutz	6,416,063 B1	7/2002	Stillinger et al.
2,509,324 A	5/1950	Horn	6,428,021 B1	8/2002	Tung
3,087,739 A	4/1963	Ware	6,467,560 B1	10/2002	Anderson
3,288,251 A	11/1966	Sakwa	6,481,728 B2	11/2002	Chen
3,331,612 A	7/1967	Tietge	D468,236 S *	1/2003	Pollitzer D12/85
D214,252 S	5/1969	Andersen	D472,596 S	4/2003	Schnuckle et al.
3,476,399 A	11/1969	Finn	D473,905 S	4/2003	Schnuckle et al.
3,671,055 A	6/1972	Aarup	6,557,861 B2	5/2003	Saylor
D226,440 S	3/1973	Bentley	6,557,873 B2	5/2003	Nardone
4,003,582 A	1/1977	Maurer	6,604,593 B1	8/2003	Mullet
4,037,852 A	7/1977	Bayer et al.	6,612,592 B1	9/2003	Soo
4,043,566 A	8/1977	Johnson	D482,750 S	11/2003	Magerer et al.
4,061,350 A	12/1977	Schmidt, Jr. et al.	6,676,138 B1	1/2004	Rosso
4,152,001 A	5/1979	Christianson	6,679,505 B2	1/2004	Yang
4,168,076 A	9/1979	Johnson	6,796,394 B1	9/2004	Lin
4,180,278 A	12/1979	Gottlieb	D505,469 S	5/2005	Joung et al.
4,185,847 A	1/1980	Johnson	6,981,711 B2	1/2006	Seta
4,272,091 A	6/1981	Ried, Jr.	7,007,977 B1	3/2006	Gallagher
4,398,735 A	8/1983	Evans et al.	D527,536 S	9/2006	Mcoy
4,402,521 A	9/1983	Mongeon	7,150,461 B2	12/2006	Schnuckle et al.
4,403,784 A	9/1983	Gray	7,163,210 B1	1/2007	Rehkemper et al.
4,504,072 A	3/1985	Klawitter	7,204,330 B1	4/2007	Lauren
4,508,187 A	4/1985	Wenzel	7,214,337 B2	5/2007	Grande
4,523,767 A	6/1985	Le Page	7,226,063 B2	6/2007	Paddock
4,681,333 A	1/1987	Rouge et al.	7,232,139 B2	6/2007	Cole
4,645,223 A	2/1987	Grossman	D574,296 S *	8/2008	Keski-Luopa D12/85
4,708,352 A	11/1987	Vullierme	7,610,972 B2	11/2009	Adams et al.
4,709,937 A	12/1987	Lin et al.	7,900,731 B2	3/2011	McKinzie
4,738,456 A	4/1988	Creason	8,186,693 B2	5/2012	Kortschot
D299,260 S *	1/1989	Vullierme D21/763	8,251,377 B2	8/2012	Green et al.
4,844,491 A	7/1989	Wheelwright	8,292,308 B2	10/2012	Green et al.
4,930,794 A	6/1990	Chan	8,348,284 B2	1/2013	Green
4,955,626 A	9/1990	Smith et al.	D678,124 S *	3/2013	Canni D12/85
4,998,358 A	3/1991	Girardelli	D681,759 S *	5/2013	Treadway D21/763
5,046,747 A	9/1991	Nielsen	D695,644 S *	12/2013	Timonen D12/85
5,062,630 A	11/1991	Nelson	8,668,039 B2	3/2014	Tuli
5,092,614 A	3/1992	Malewicz	8,672,074 B2	3/2014	Ganeous
5,143,388 A	9/1992	Chen	8,684,121 B2	4/2014	Treadway
5,232,235 A	8/1993	Brooks	8,727,359 B2	5/2014	Green
5,236,058 A	8/1993	Yamet et al.	8,985,602 B2	3/2015	Chan
5,263,725 A	11/1993	Gesmer et al.	9,027,690 B2	5/2015	Chavand
5,330,026 A	7/1994	Hsu et al.	9,056,241 B2	6/2015	Green
5,347,681 A	9/1994	Wattron et al.	D741,969 S *	10/2015	Green D21/763
5,513,863 A	5/1996	Klamer et al.	9,339,720 B2	5/2016	Kortschot
5,513,865 A	5/1996	Brooks et al.	D764,615 S *	8/2016	Treadway D21/763
5,547,204 A	8/1996	Gamzo	9,452,345 B2	9/2016	Doerksen et al.
5,730,241 A	3/1998	Shyr et al.	9,616,318 B2	4/2017	Rogers
5,741,018 A	4/1998	Huang	9,630,085 B2	4/2017	Treadway et al.
D395,479 S	6/1998	Gamzo	9,682,309 B2	6/2017	Huang
5,797,466 A	8/1998	Gendle	9,764,218 B2	9/2017	Treadway et al.
5,848,660 A	12/1998	McGreen	9,808,705 B2	11/2017	Treadway et al.
5,860,657 A	1/1999	Kroher	D810,623 S *	2/2018	Adcock D12/85
D410,268 S *	5/1999	Yung D21/763	9,919,200 B2	3/2018	Mo
5,915,707 A	6/1999	Steffen	D817,228 S *	5/2018	Kroll D12/85
5,950,754 A	9/1999	Ondrish, Jr.	9,956,473 B2	5/2018	Chiu
5,971,411 A	10/1999	Jones et al.	9,987,547 B2	6/2018	Ruschkowski
5,997,018 A	12/1999	Lee	D824,805 S *	8/2018	Karka D12/85
D421,282 S	2/2000	Orr	10,071,303 B2	9/2018	Pikulski
6,050,357 A	4/2000	Staelin et al.	D830,468 S	10/2018	Liu
D424,979 S *	5/2000	Hanagan D12/85	10,137,356 B2	11/2018	Kortschot
6,059,062 A	5/2000	Staelin	D842,409 S *	3/2019	Novick D21/763
6,070,885 A	6/2000	Ferone	D842,758 S *	3/2019	Hall D12/85
6,139,035 A	10/2000	Tsai	D849,601 S *	5/2019	Li D12/107
6,158,752 A	12/2000	Kay	D861,538 S *	10/2019	Frahm D12/85
			2002/0105152 A1	8/2002	Miller
			2002/0105157 A1	8/2002	Chen
			2002/0109313 A1	8/2002	Johnsen
			2002/0149165 A1	10/2002	Lin

(56)

References Cited

FOREIGN PATENT DOCUMENTS

U.S. PATENT DOCUMENTS

2002/0158437 A1 10/2002 Carbonero
 2002/0167146 A1 11/2002 Chang
 2002/0180169 A1 12/2002 Kwok
 2003/0020244 A1 1/2003 Sung
 2003/0042058 A1 3/2003 Chen
 2003/0127816 A1 7/2003 Schnuckle et al.
 2004/0041359 A1 3/2004 Im
 2004/0217562 A1 11/2004 Haugen et al.
 2005/0012290 A1 1/2005 McClain
 2005/0116430 A1 6/2005 Chen
 2005/0127629 A1 6/2005 Nelson et al.
 2006/0049595 A1 3/2006 Crigler et al.
 2006/0125200 A1 6/2006 Cole
 2006/0279055 A1 12/2006 Morabito
 2007/0126191 A1 6/2007 Kay, III
 2008/0197594 A1 8/2008 Ling
 2009/0160150 A1 6/2009 Johnson
 2009/0273152 A1 11/2009 Chung
 2010/0090422 A1 4/2010 Chan et al.
 2012/0086181 A1 4/2012 Kinnaman
 2013/0282216 A1 10/2013 Edney
 2014/0158446 A1 6/2014 Treadway
 2014/0332297 A1 11/2014 Kortschot
 2015/0196831 A1 7/2015 Treadway et al.
 2015/0306511 A1 10/2015 Norman et al.
 2015/0352430 A1 12/2015 Treadway et al.
 2016/0129963 A1 5/2016 Ying et al.
 2016/0213999 A1 7/2016 Treadway et al.
 2016/0332061 A1 11/2016 Kortschot
 2017/0259162 A1 9/2017 Mo
 2018/0015355 A1* 1/2018 Desberg A63C 17/0046
 2018/0029659 A1 2/2018 Desberg
 2019/0314709 A1 10/2019 Kortschot
 2019/0367116 A1 12/2019 Desberg et al.

CN 1143702 C 3/2004
 CN 2619503 Y 6/2004
 CN 2717494 Y 8/2005
 CN 2785659 Y 6/2006
 CN 2915189 Y 6/2007
 CN 200966900 Y 10/2007
 CN 104787183 7/2015
 CN 106422285 A 2/2017
 CN 206138715 U 5/2017
 DE 4424297 1/1996
 EP 0 995 468 4/2000
 GB 2 441 394 9/2008
 JP 56085381 7/1981
 KR 200378761 Y1 3/2005
 WO WO 96/20762 7/1996
 WO WO 2000/03773 1/2000
 WO WO 2002/089933 11/2002
 WO WO 2008/006275 1/2008
 WO WO 2008/019482 2/2008
 WO WO 2016/128488 8/2016
 WO WO 2017/050247 3/2017
 WO WO 2018/013994 A1 1/2018
 WO WO 2019/0232248 12/2019

OTHER PUBLICATIONS

International Preliminary Report on Patentability in Application No. PCT/US2017/042249, dated Oct. 4, 2018, in 13 pages.
 International Search Report and Written Opinion in corresponding International Patent Application No. PCT/US2017/042249, dated Sep. 13, 2017, in 7 pages.

* cited by examiner

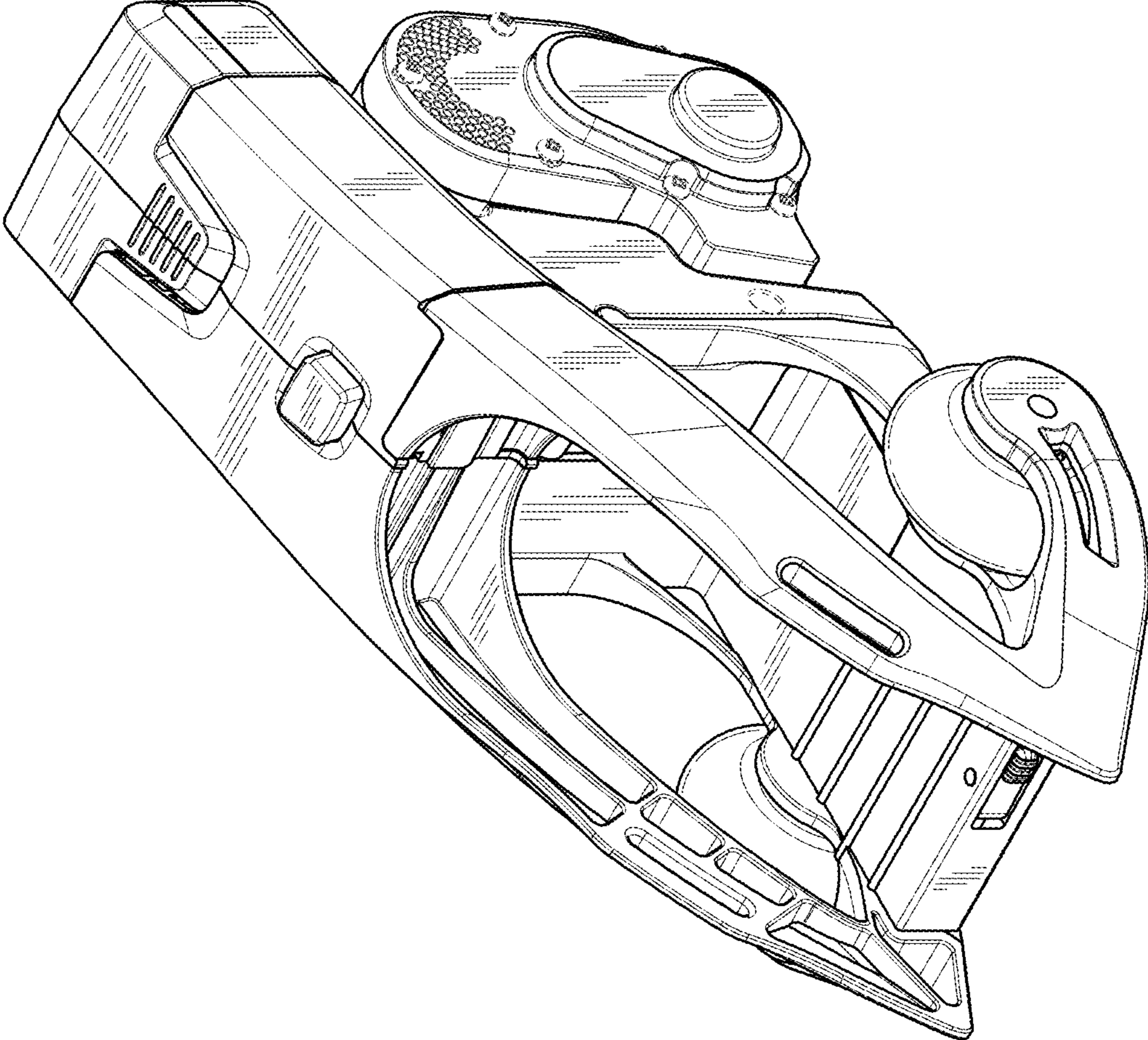


FIG. 1

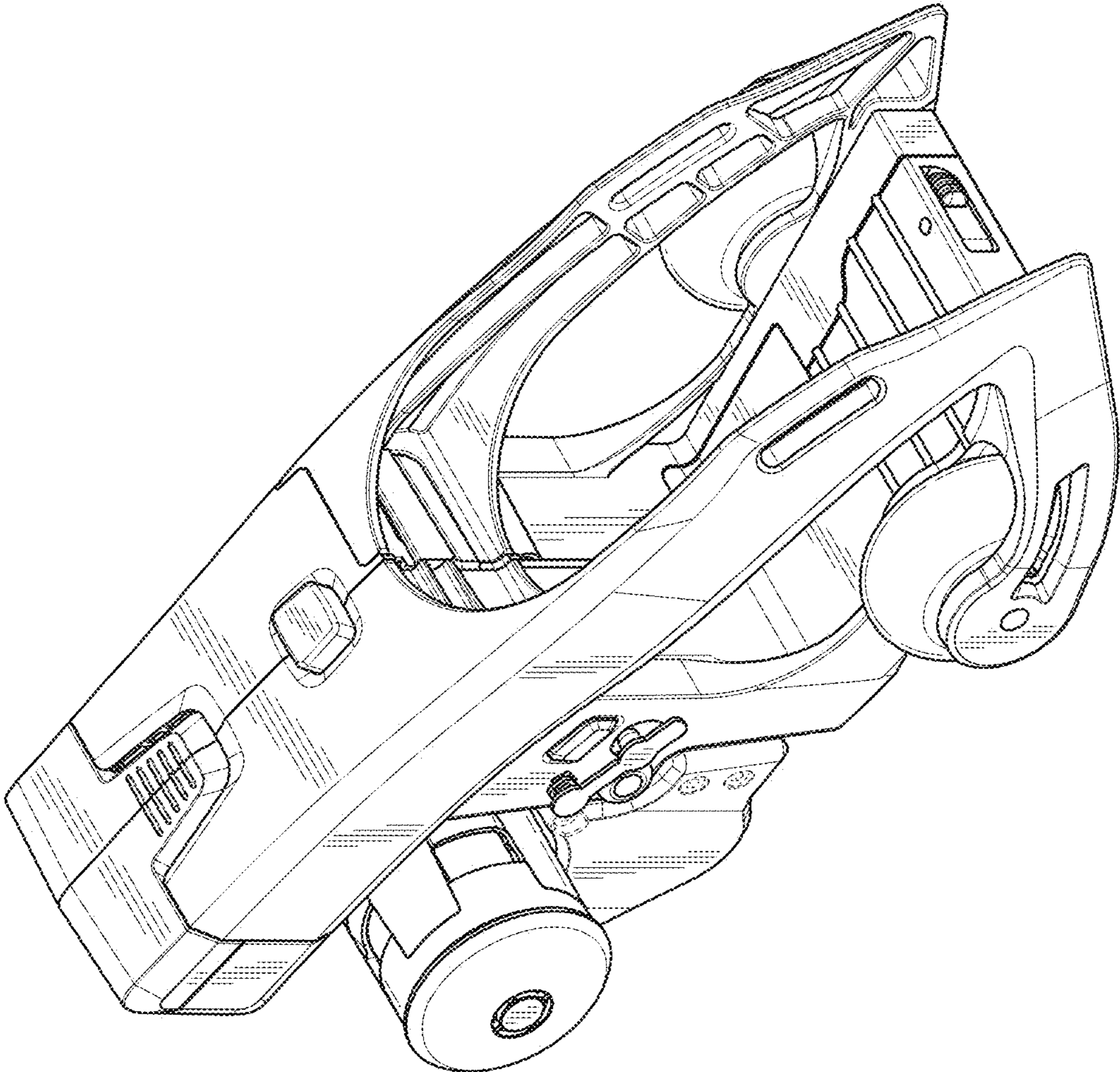


FIG. 2

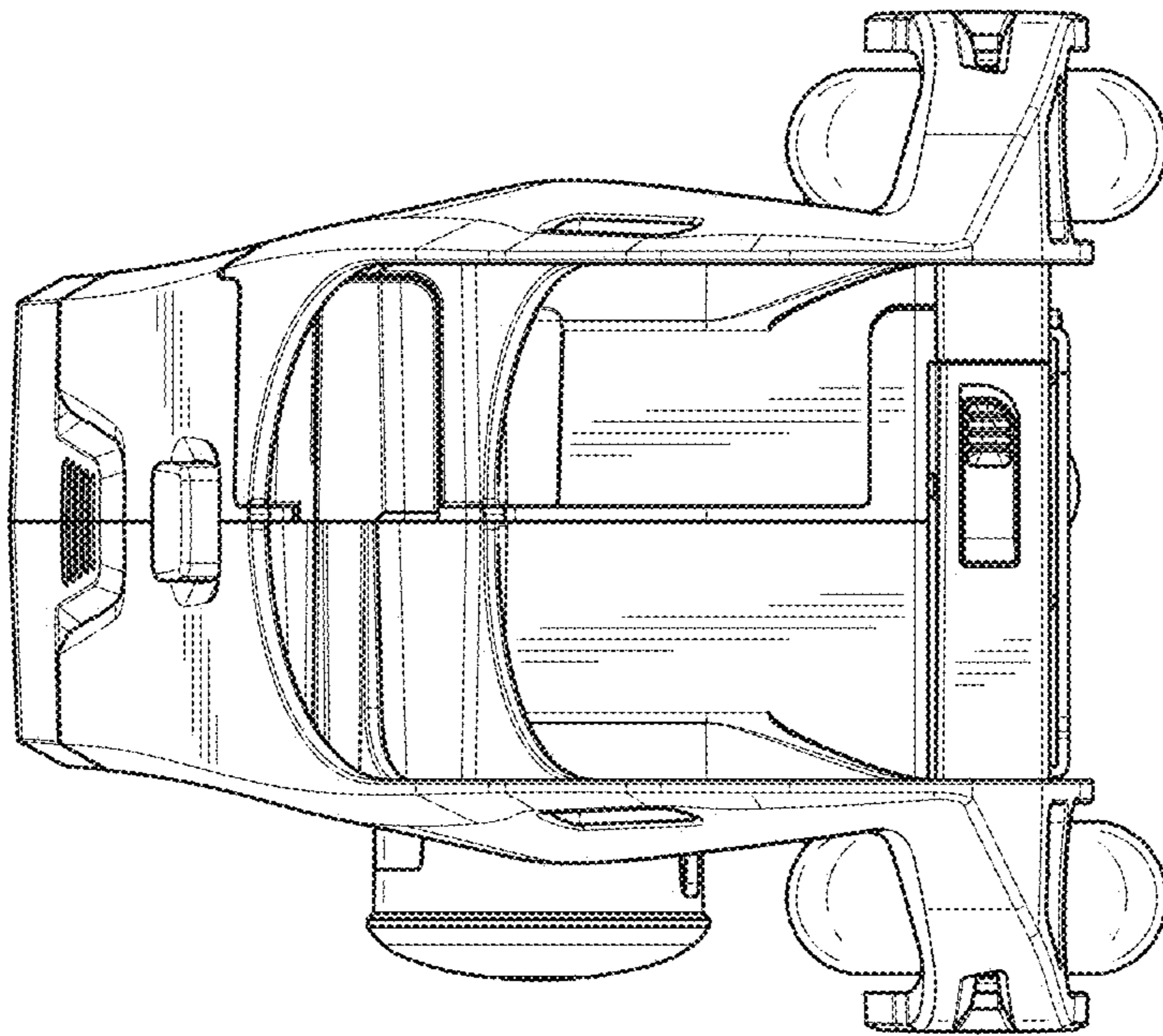


FIG. 3

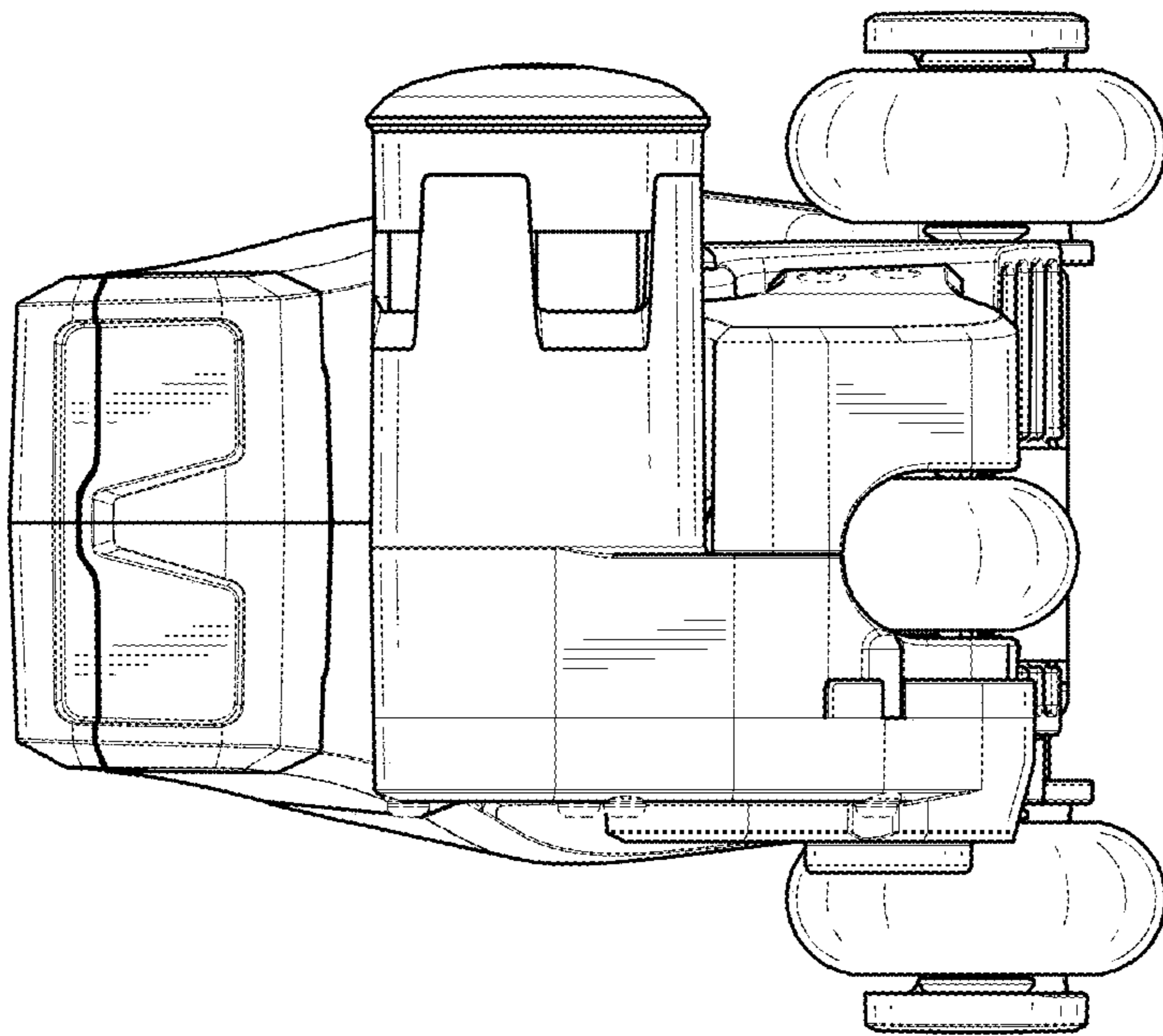


FIG. 4

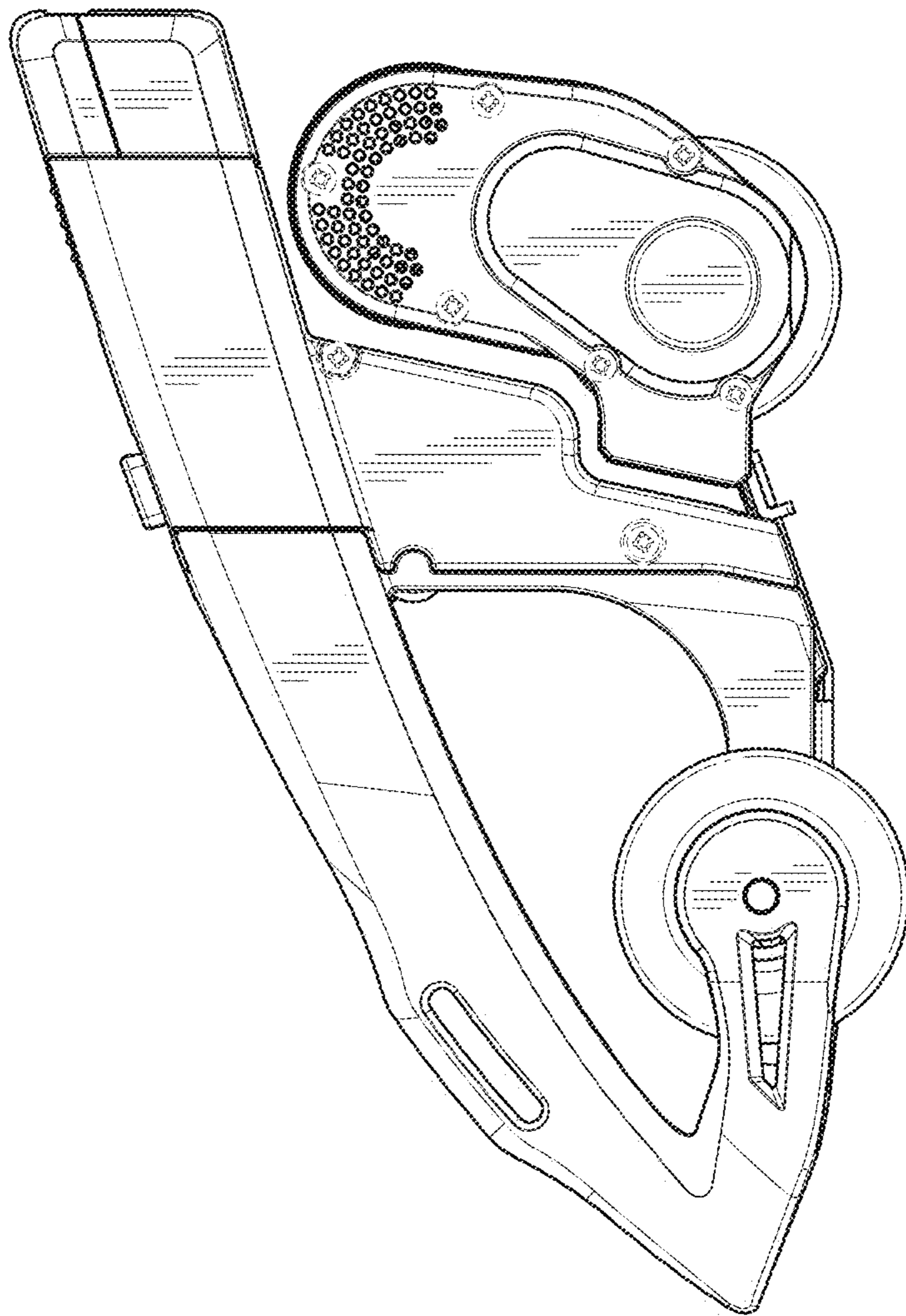


FIG. 5

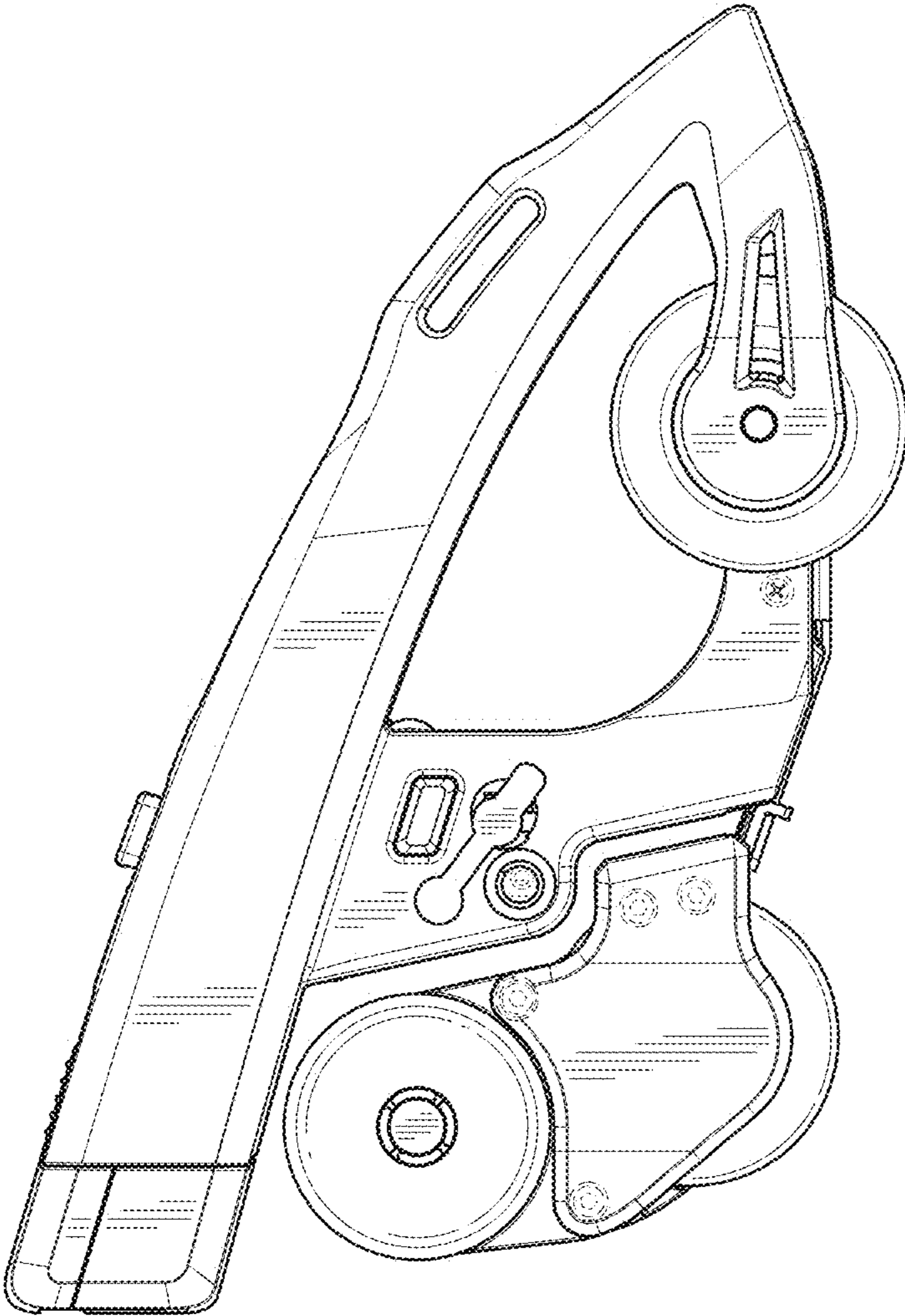


FIG. 6

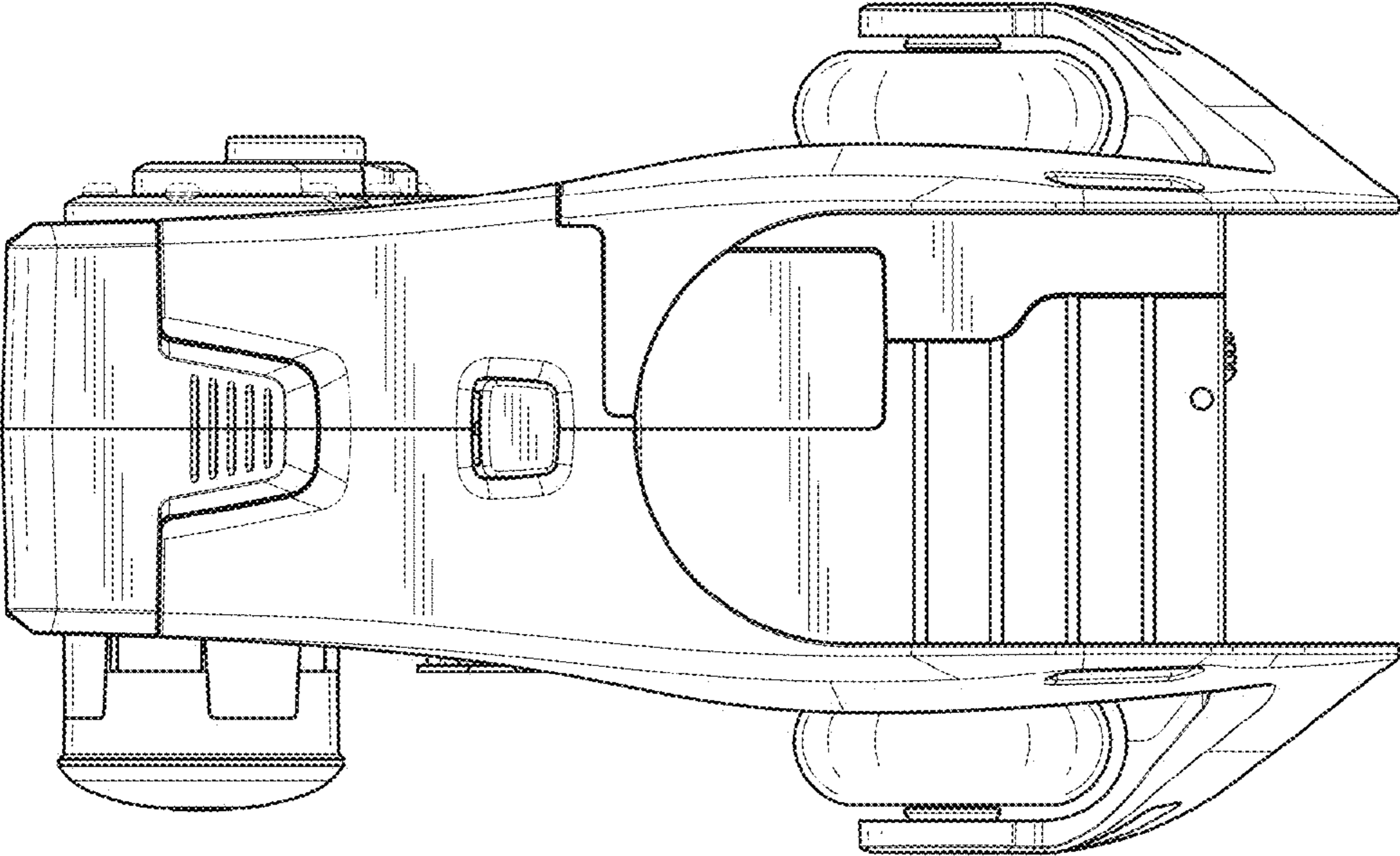


FIG. 7

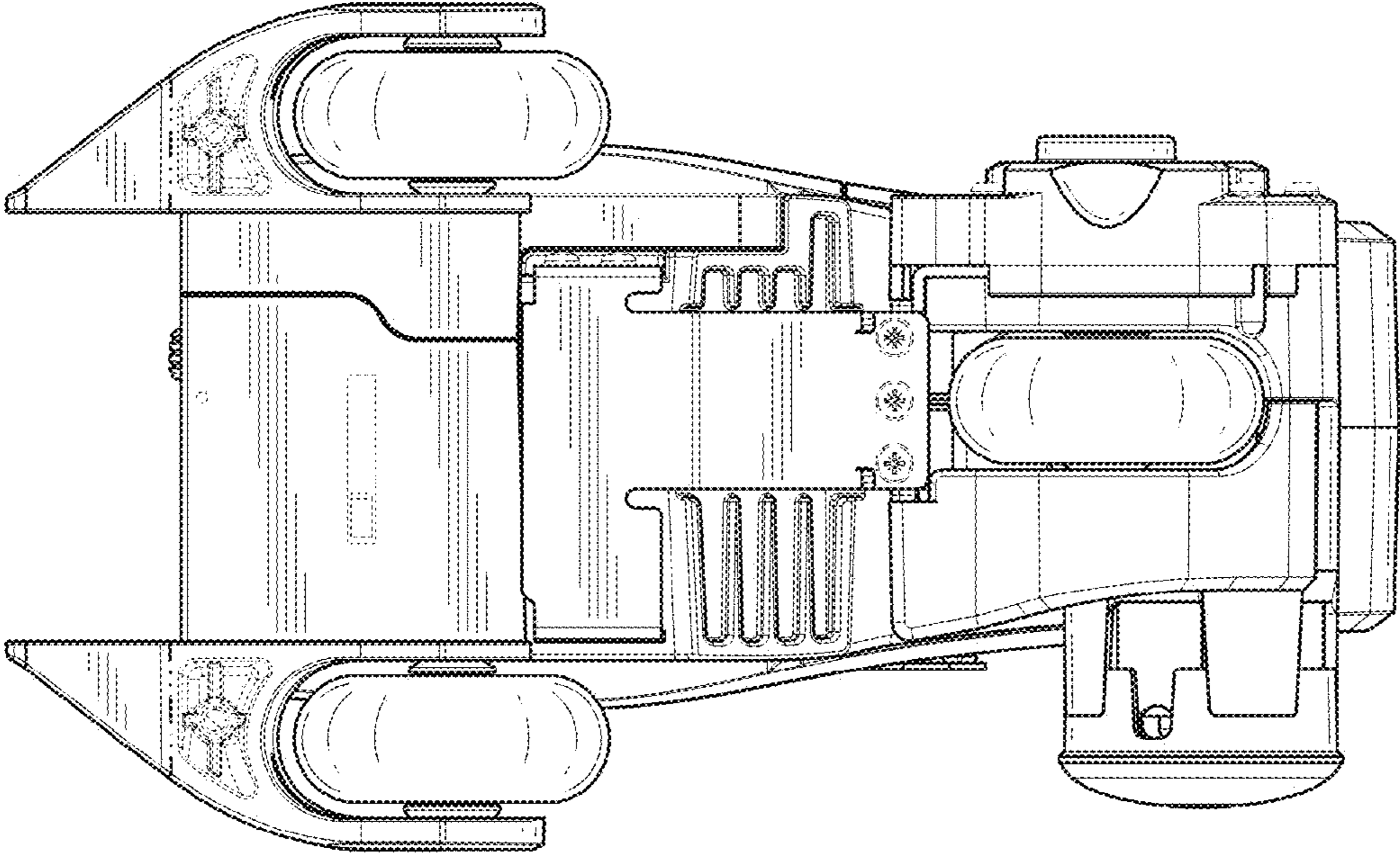


FIG. 8