



US00D912179S

(12) **United States Design Patent**
Kam

(10) **Patent No.:** **US D912,179 S**

(45) **Date of Patent:** **** Mar. 2, 2021**

- (54) **HANDLE FOR TOY SPORTS EQUIPMENT**
- (71) Applicant: **Ao Jie Plastic Toys Factory Ltd.,**
Kwun Tong (HK)
- (72) Inventor: **Chi Hang Kam,** Kwun Tong (HK)
- (73) Assignee: **Ao Jie Plastic Toys Factory Ltd.,**
Kwun Tong (HK)
- (**) Term: **15 Years**
- (21) Appl. No.: **29/698,863**
- (22) Filed: **Jul. 20, 2019**
- (51) **LOC (13) Cl.** **21-02**
- (52) **U.S. Cl.**
USPC **D21/758**
- (58) **Field of Classification Search**
USPC D21/725, 756-758; D8/80, 83, 94, 97,
D8/107, 300, 321
CPC A63B 60/06-60/34; A63B 60/00; A63B
60/46; A63B 59/60-59/80; A63B
49/00-49/14; A63B 53/14; A63B
2102/00; A63B 2102/10; A63B 2102/12;
A63B 2102/26; A63B 2102/28; A63B
2102/30; A63B 2102/38
See application file for complete search history.

- (56) **References Cited**
U.S. PATENT DOCUMENTS
D182,077 S * 2/1958 MacMinn D8/77
D210,021 S * 1/1968 Prifogle D13/154
D245,443 S * 8/1977 Sweet D21/756
D355,463 S * 2/1995 Markward D21/756
D399,545 S * 10/1998 Albarelli, Jr. D21/725

- 5,931,748 A * 8/1999 Hsieh A63B 49/08
473/523
- D418,181 S * 12/1999 Lau D21/725
- D422,473 S * 4/2000 Spierer D8/107
- D425,593 S * 5/2000 Kirch D21/722
- D443,907 S * 6/2001 Tarica D21/758
- D466,574 S * 12/2002 Vito D21/756
- D485,876 S * 1/2004 Andrews D21/725
- D525,670 S * 7/2006 Green D21/722
- D601,648 S * 10/2009 Comello, Jr. D21/725
- D654,972 S * 2/2012 Green D21/756
- D734,415 S * 7/2015 Clare, Jr. D21/758
- D800,237 S * 10/2017 Su D21/731
- D828,884 S * 9/2018 DePaoli A63B 69/0002
D21/756
- D851,717 S * 6/2019 Zawitz D21/725
- D860,362 S * 9/2019 Phillips D21/758
- 2010/0222188 A1 * 9/2010 Winger A63B 59/50
482/111

* cited by examiner

Primary Examiner — Michelle I. Siegel
(74) *Attorney, Agent, or Firm* — LaMorte & Associates
P.C.

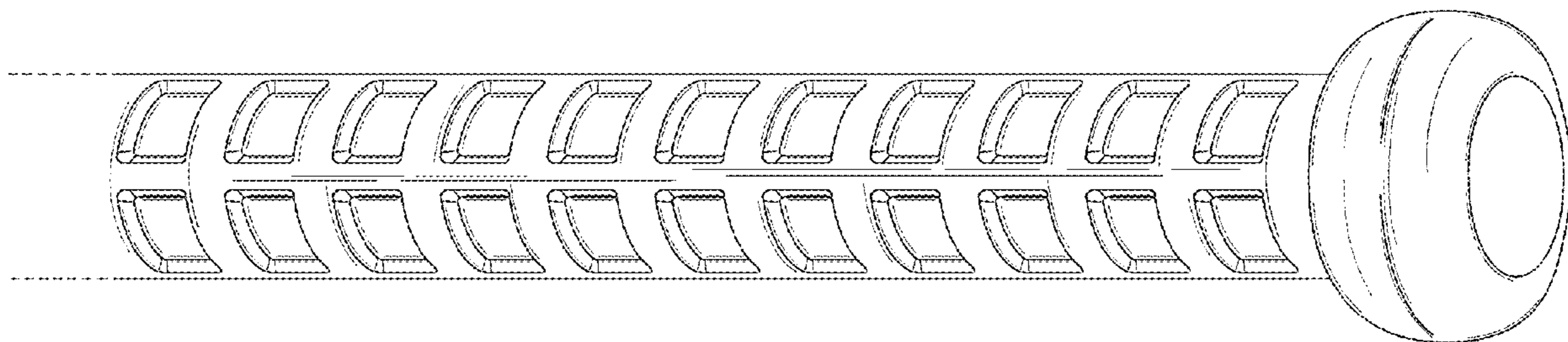
(57) **CLAIM**

The ornamental design for a handle for toy sports equip-
ment, as shown and described.

DESCRIPTION

FIG. 1 is a front view of a handle for toy sports equipment,
the rear view, right side view and left side view all being the
same;
FIG. 2 is a top view thereof;
FIG. 3 is a bottom view thereof; and,
FIG. 4 is a perspective view thereof.
Broken lines form no part of the claimed design.

1 Claim, 4 Drawing Sheets



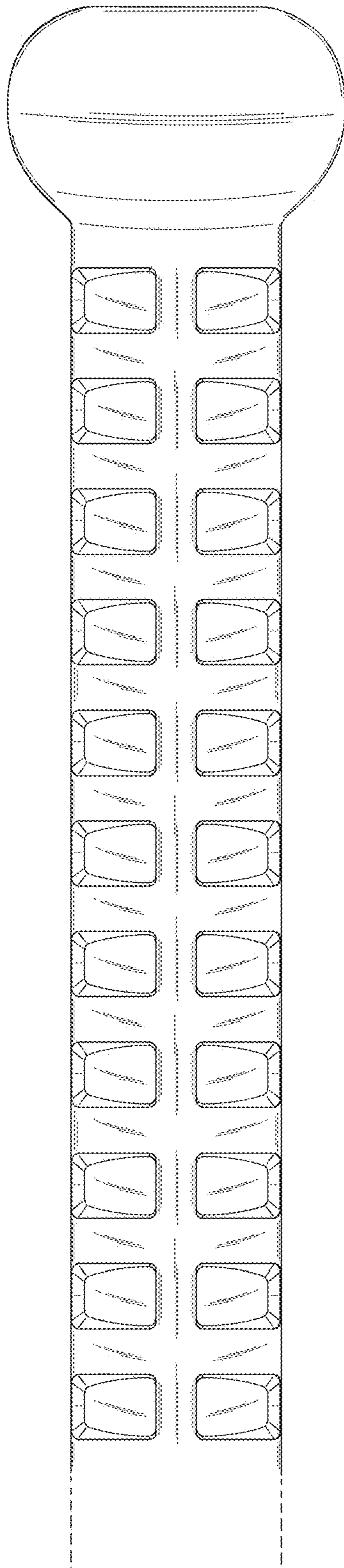


FIG. 1

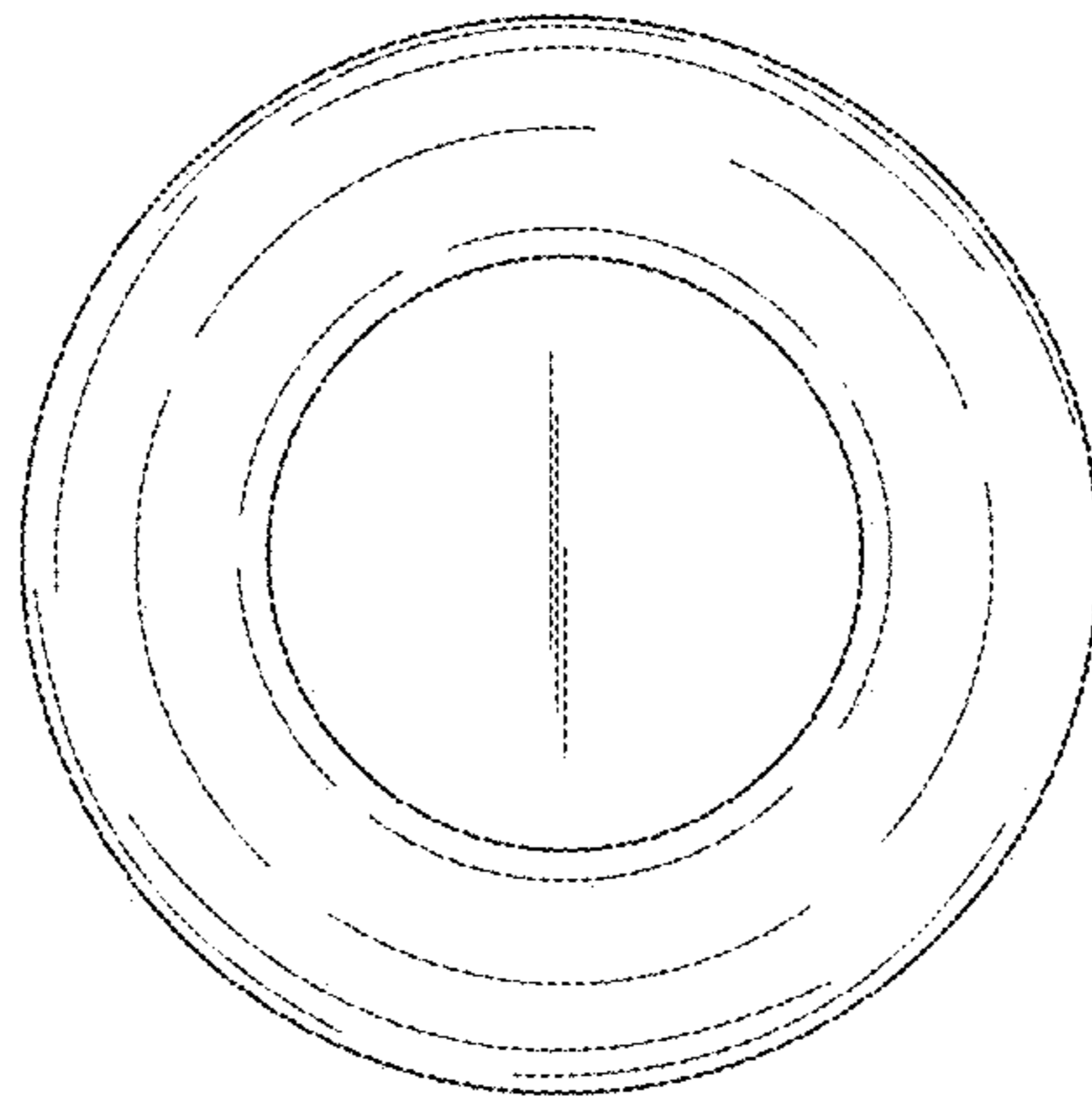


FIG. 2

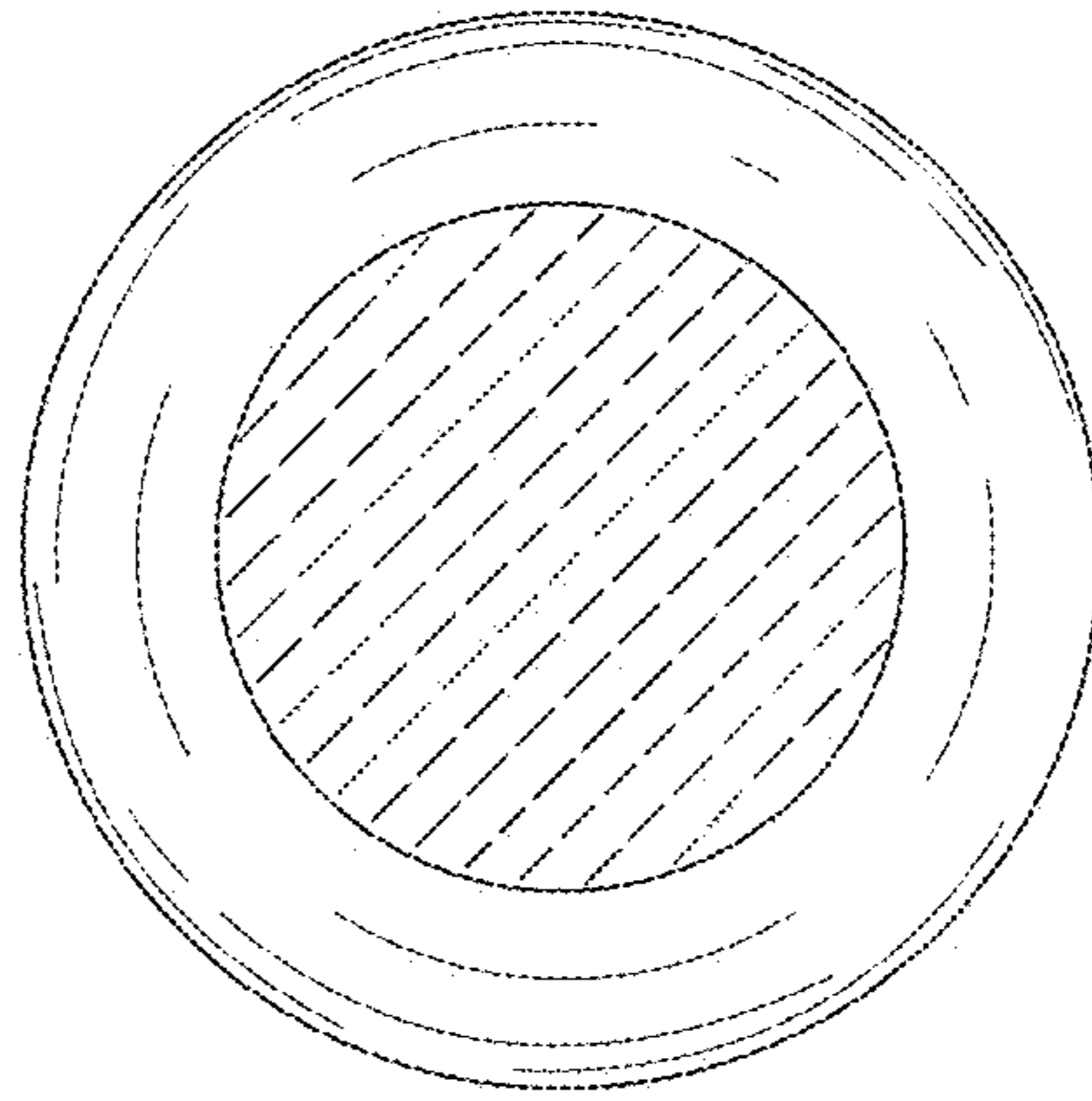


FIG. 3

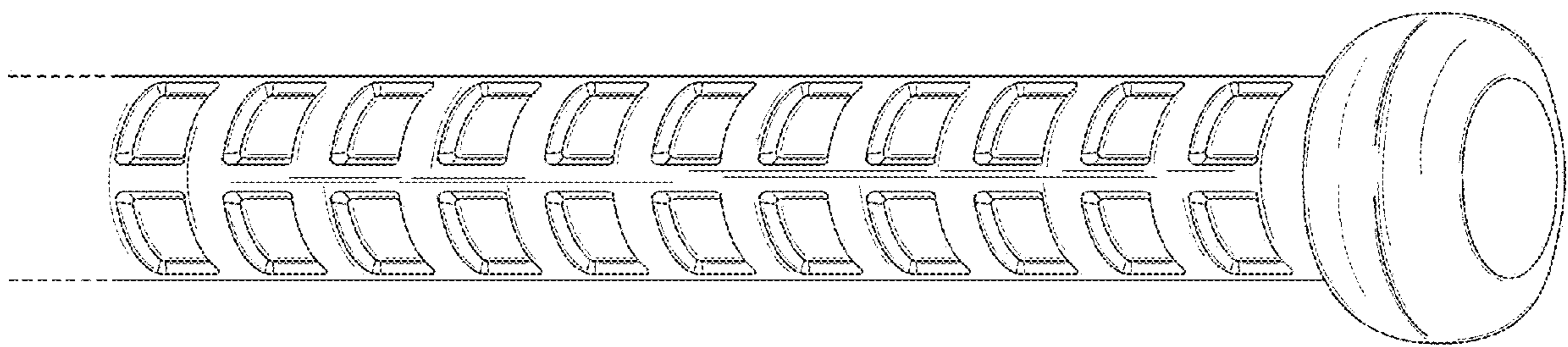


FIG. 4