



US00D912177S

(12) **United States Design Patent**
Greer et al.

(10) **Patent No.:** **US D912,177 S**
(45) **Date of Patent:** **** Mar. 2, 2021**

(54) **GOLF CLUB HEAD**

OTHER PUBLICATIONS

(71) Applicant: **KARSTEN MANUFACTURING CORPORATION**, Phoenix, AZ (US)

Scottsdale TR Half Pipe!: Takeo Nomura No Golf Baka Nikki!.
Publication Date: Oct. 17, 2013. Source: <http://blog.livedoor.jp/nomtak/archives/51830590.html>.

(72) Inventors: **Evan Greer**, Phoenix, AZ (US);
Anthony D. Serrano, Anthem, AZ (US); **Calvin S. Wang**, Chandler, AZ (US); **David A. Higdon**, Cave Creek, AZ (US); **Xiaojian Chen**, Phoenix, AZ (US)

(Continued)

Primary Examiner — Mitchell I. Siegel

(73) Assignee: **KARSTEN MANUFACTURING CORPORATION**, Phoenix, AZ (US)

(57) **CLAIM**

The ornamental design for a golf club head, as shown and described.

(**) Term: **15 Years**

DESCRIPTION

(21) Appl. No.: **29/673,182**

(22) Filed: **Dec. 12, 2018**

(51) **LOC (13) Cl.** **21-02**

(52) **U.S. Cl.**
USPC **D21/744**

(58) **Field of Classification Search**
USPC D21/736–746, 759
CPC A63B 53/00; A63B 53/04; A63B 53/007;
A63B 53/065; A63B 53/0487; A63B
60/00; A63B 60/46
See application file for complete search history.

FIG. 1 is a top perspective view of a golf club head;
FIG. 2 is a bottom perspective view of the golf club head of FIG. 1;
FIG. 3 is a top view of the golf club head of FIG. 1;
FIG. 4 is a bottom view of the golf club head of FIG. 1;
FIG. 5 is a front view of the golf club head of FIG. 1;
FIG. 6 is a rear view of the golf club head of FIG. 1;
FIG. 7 is a heel side view of the golf club head of FIG. 1;
FIG. 8 is a toe side view of the golf club head of FIG. 1;
FIG. 9 is a top perspective view of another embodiment a golf club head;
FIG. 10 is a bottom perspective view of the golf club head of FIG. 9;
FIG. 11 is a top view of the golf club head of FIG. 9;
FIG. 12 is a bottom view of the golf club head of FIG. 9;
FIG. 13 is a front view of the golf club head of FIG. 9;
FIG. 14 is a rear view of the golf club head of FIG. 9;
FIG. 15 is a heel side view of the golf club head of FIG. 9;
and,
FIG. 16 is a toe side view of the golf club head of FIG. 9.
The broken line showing is included for the purpose of illustrating unclaimed subject matter and forms no part of the claimed design.

(56) **References Cited**

U.S. PATENT DOCUMENTS

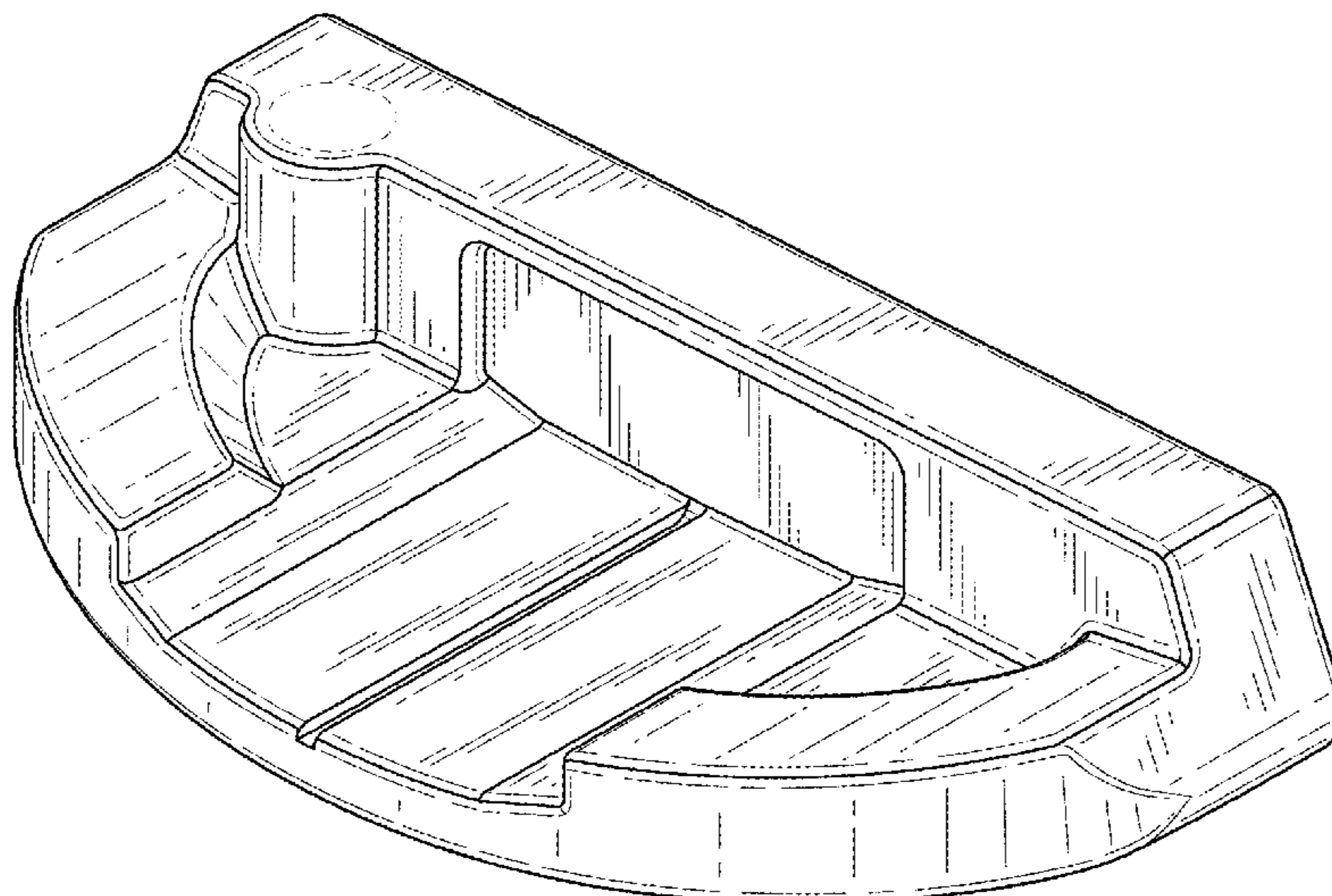
| | | | | |
|-----------|-----|---------|---------------|---------|
| 3,042,405 | A | 7/1962 | Solheim | |
| D235,668 | S | 7/1975 | Swash | |
| 3,954,265 | A | 5/1976 | Taylor | |
| D255,373 | S * | 6/1980 | Solheim | D21/743 |
| 4,714,252 | A | 12/1987 | Roraback | |
| 4,834,387 | A | 5/1989 | Waites et al. | |

(Continued)

FOREIGN PATENT DOCUMENTS

JP 1316692 12/2007

1 Claim, 10 Drawing Sheets



(56)

References Cited

U.S. PATENT DOCUMENTS

D333,331 S 2/1993 Evans
 5,211,401 A 5/1993 Hailey
 D342,112 S 12/1993 Diesterheft
 5,320,353 A 6/1994 Moore
 5,324,031 A 6/1994 Green
 5,482,281 A 1/1996 Anderson
 5,820,481 A 10/1998 Raudman
 D428,457 S * 7/2000 Rollinson D21/743
 6,273,831 B1 * 8/2001 Dewanjee A63B 53/04
 473/324
 D449,085 S 10/2001 Brier
 6,634,956 B1 10/2003 Pegg
 D485,592 S 1/2004 Hettinger
 D488,200 S 4/2004 Olsavsky et al.
 D493,857 S 8/2004 Cameron
 D500,109 S 12/2004 Solheim et al.
 D500,110 S 12/2004 Solheim et al.
 D502,234 S 2/2005 Grace
 D502,748 S 3/2005 Burrows
 D505,702 S 5/2005 Wood
 D506,796 S 6/2005 Li
 D508,273 S 8/2005 Garner et al.
 D510,394 S 10/2005 Tang et al.
 6,960,140 B2 11/2005 Solheim et al.
 6,966,845 B2 11/2005 Solheim et al.
 D514,182 S 1/2006 Olsavsky et al.
 D515,646 S 2/2006 Perry
 7,004,849 B2 2/2006 Cameron
 D517,143 S 3/2006 Petsel et al.
 D520,583 S 5/2006 Rollinson et al.
 D521,582 S 5/2006 Souza et al.
 7,052,411 B2 5/2006 Solheim et al.
 D522,598 S 6/2006 Solheim et al.
 D526,035 S 8/2006 Hueber
 D527,777 S 9/2006 Solheim et al.
 D529,560 S 10/2006 Madore
 D532,842 S 11/2006 Jones et al.
 D532,843 S 11/2006 Jones et al.
 D532,846 S 11/2006 Lee et al.
 D533,243 S 12/2006 Fife, Jr. et al.
 D533,609 S 12/2006 Moore et al.
 D534,974 S 1/2007 Haack
 D536,400 S 2/2007 DiBattista, Sr.
 D542,873 S 5/2007 Oldknow
 D547,405 S 7/2007 Serrano et al.
 D548,295 S 8/2007 Jertson et al.
 7,255,650 B2 8/2007 Braynt et al.
 D552,197 S 10/2007 Wells et al.
 D564,606 S 3/2008 Oldknow et al.
 D564,608 S 3/2008 Oldknow et al.
 7,390,267 B2 6/2008 Grace
 D574,907 S 8/2008 Jones et al.
 D574,908 S 8/2008 Hettinger et al.
 D575,366 S 8/2008 Rollinson
 D577,398 S 9/2008 Hilton
 D579,505 S 10/2008 Jones
 7,455,599 B2 11/2008 Jones

D582,497 S 12/2008 Rollinson
 D583,886 S 12/2008 Cameron
 D587,325 S 2/2009 Solheim et al.
 D588,657 S 3/2009 Hettinger
 D590,035 S 4/2009 Hilton
 D590,461 S 4/2009 Kim et al.
 D591,371 S 4/2009 Hilton
 D591,806 S 5/2009 Cameron
 D591,807 S 5/2009 Rollinson
 D595,372 S 6/2009 Rollinson
 D595,373 S 6/2009 Kim et al.
 D596,685 S 7/2009 Wallans
 D599,425 S 9/2009 Laub
 D599,870 S 9/2009 Serrano et al.
 D600,760 S 9/2009 Serrano et al.
 D600,761 S 9/2009 Solheim et al.
 D600,762 S 9/2009 Serrano et al.
 D603,008 S 10/2009 Donahue
 D604,782 S * 11/2009 Franklin D21/736
 D621,458 S 8/2010 Serrano et al.
 D621,460 S 8/2010 Serrano et al.
 D621,461 S 8/2010 Serrano et al.
 D621,462 S 8/2010 Serrano et al.
 D621,891 S 8/2010 Serrano et al.
 D623,709 S 9/2010 Serrano et al.
 D634,381 S * 3/2011 Cardani D21/736
 D635,625 S * 4/2011 Rollinson D21/743
 D641,057 S 7/2011 Rollinson
 D641,440 S 7/2011 Hettinger
 D641,442 S 7/2011 Rollinson
 D644,703 S * 9/2011 Serrano D21/743
 D650,457 S 12/2011 Rollinson
 D650,458 S 12/2011 Rollinson
 8,083,611 B2 12/2011 Kuan et al.
 D652,092 S 1/2012 Rollinson
 8,109,838 B2 2/2012 Solheim et al.
 D688,762 S 8/2013 Hilton
 D690,378 S 9/2013 Rollinson
 D720,024 S * 12/2014 Rollinson D21/736
 D720,411 S * 12/2014 Rollinson D21/743
 D720,412 S * 12/2014 Rollinson D21/743
 D733,233 S 6/2015 Dolezel
 D759,172 S * 6/2016 Rollinson D21/743
 D768,247 S * 10/2016 Rollinson D21/744
 D769,995 S * 10/2016 Rollinson D21/744
 D820,927 S * 6/2018 Seagram D21/742
 D860,352 S * 9/2019 Rollinson D21/743

OTHER PUBLICATIONS

Ping "SIGMA 2" Putter Happyo Kai & Kojo Kengaku. Publication Date: Oct. 18, 2018. Source: <https://club-pcm.ip/2018/10/17/12-14%e7%99%ba%e5%a3%b2-ping%e3%80%8esigma%ef%bc%88%e3%82%b7%e3%82%b0%e3%83%9e%ef%bc%89%ef%bc%92%e3%80%8f%e3%83%91%e3%82%bf%e3%83%bc%e7%99%ba%e8%a1%a8%e4%bc%9a%ef%bc%86%e5%b7%a5%e5%a0%b4%e8%a6%8b/>.

* cited by examiner

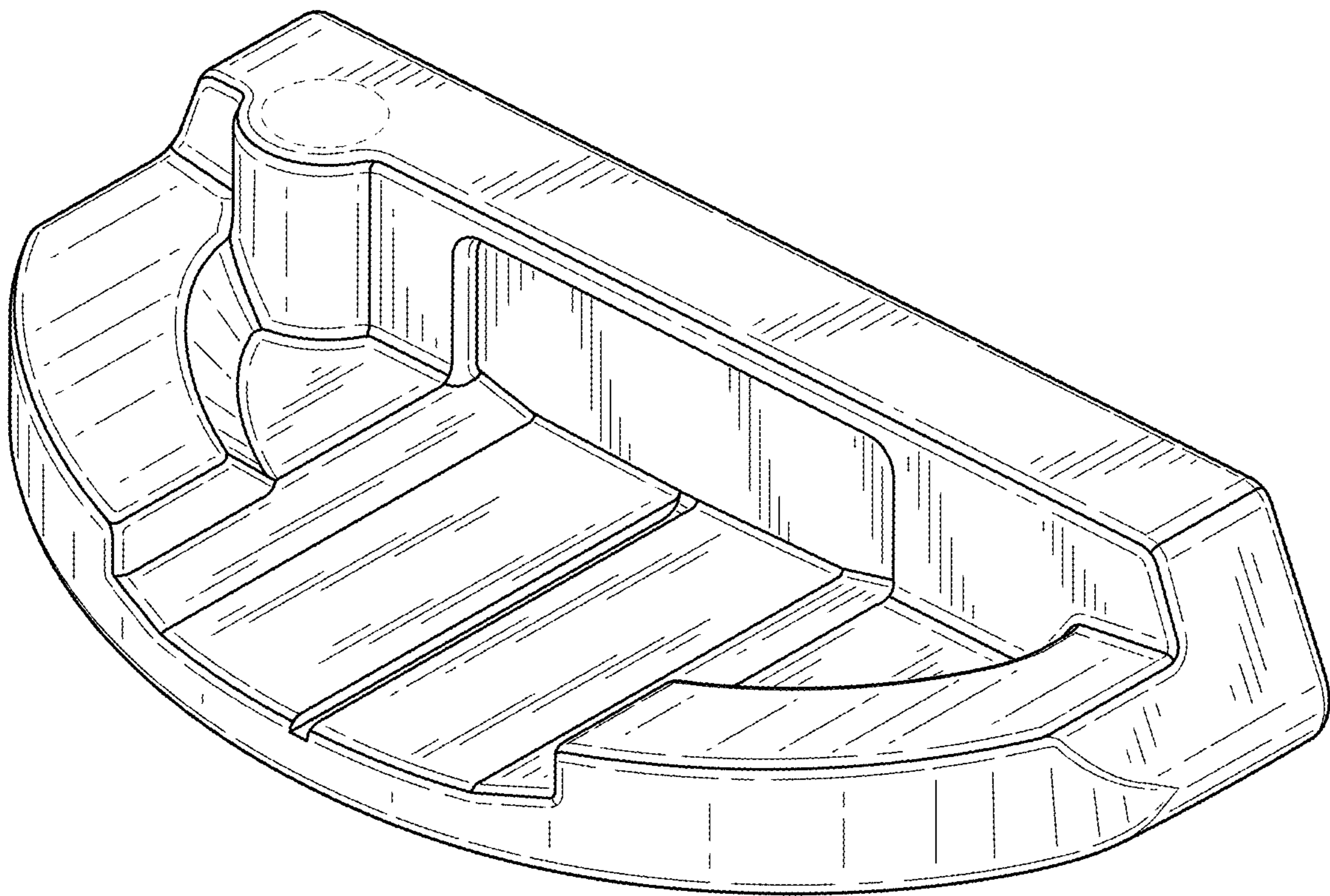


FIG. 1

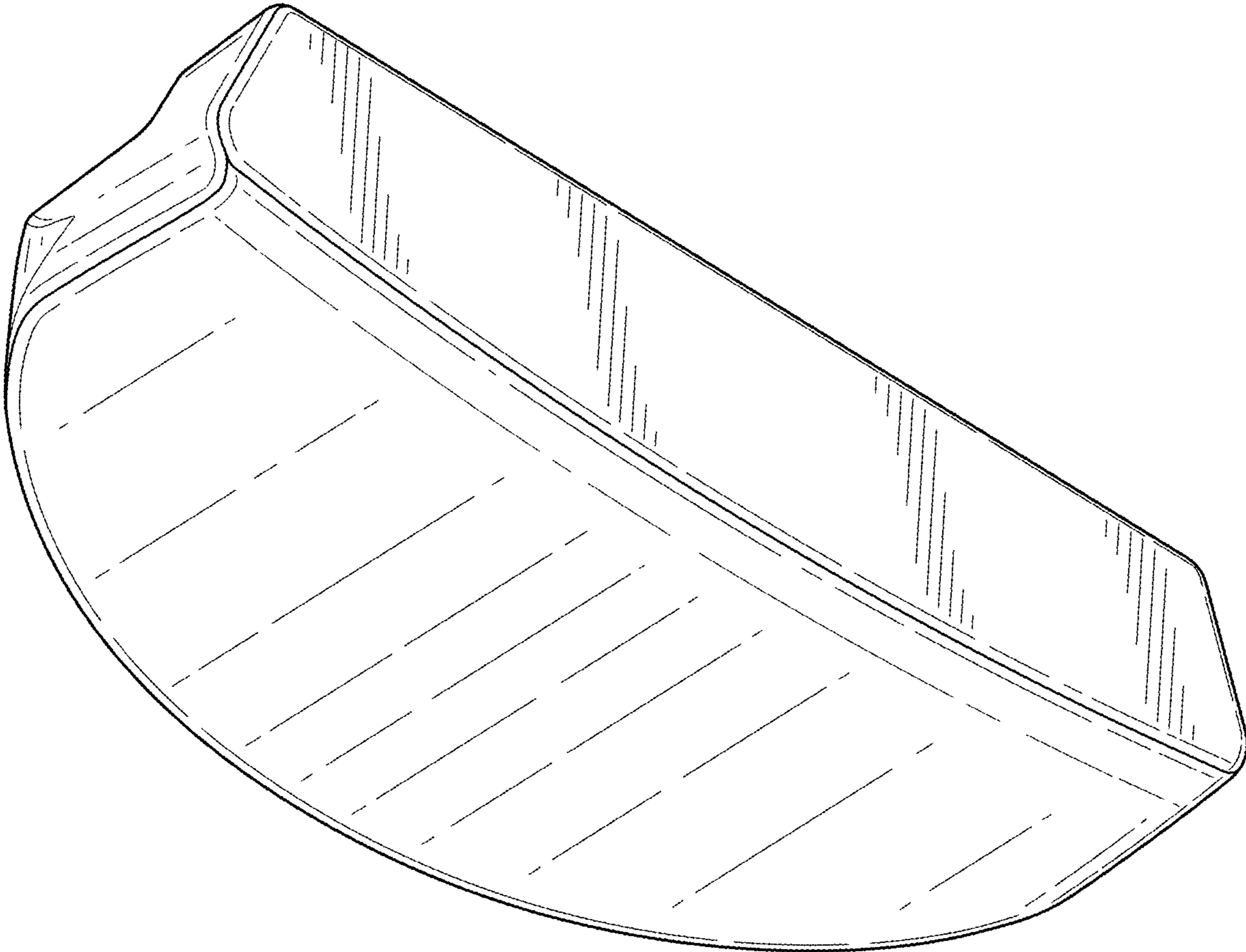


FIG. 2

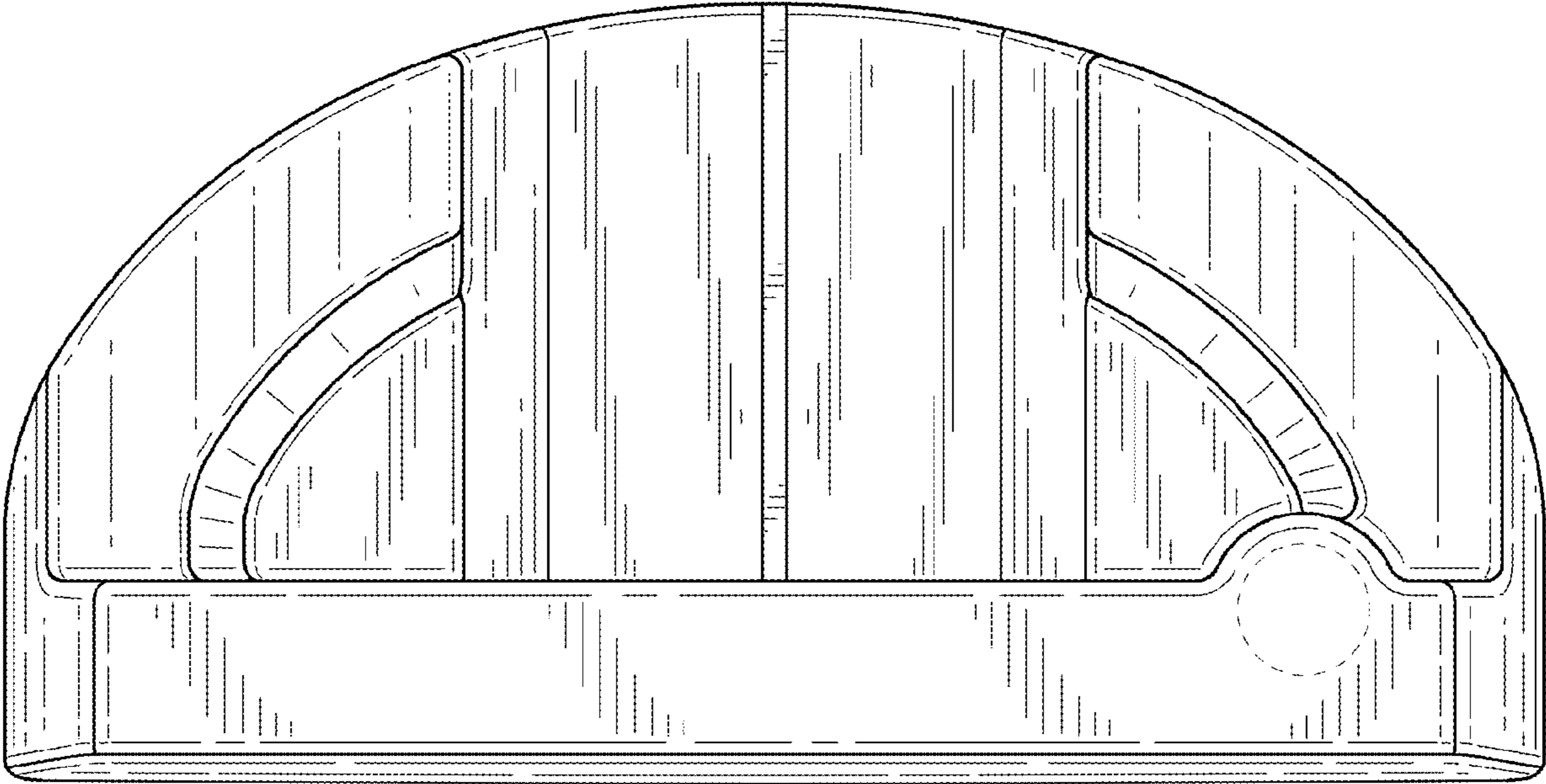


FIG. 3

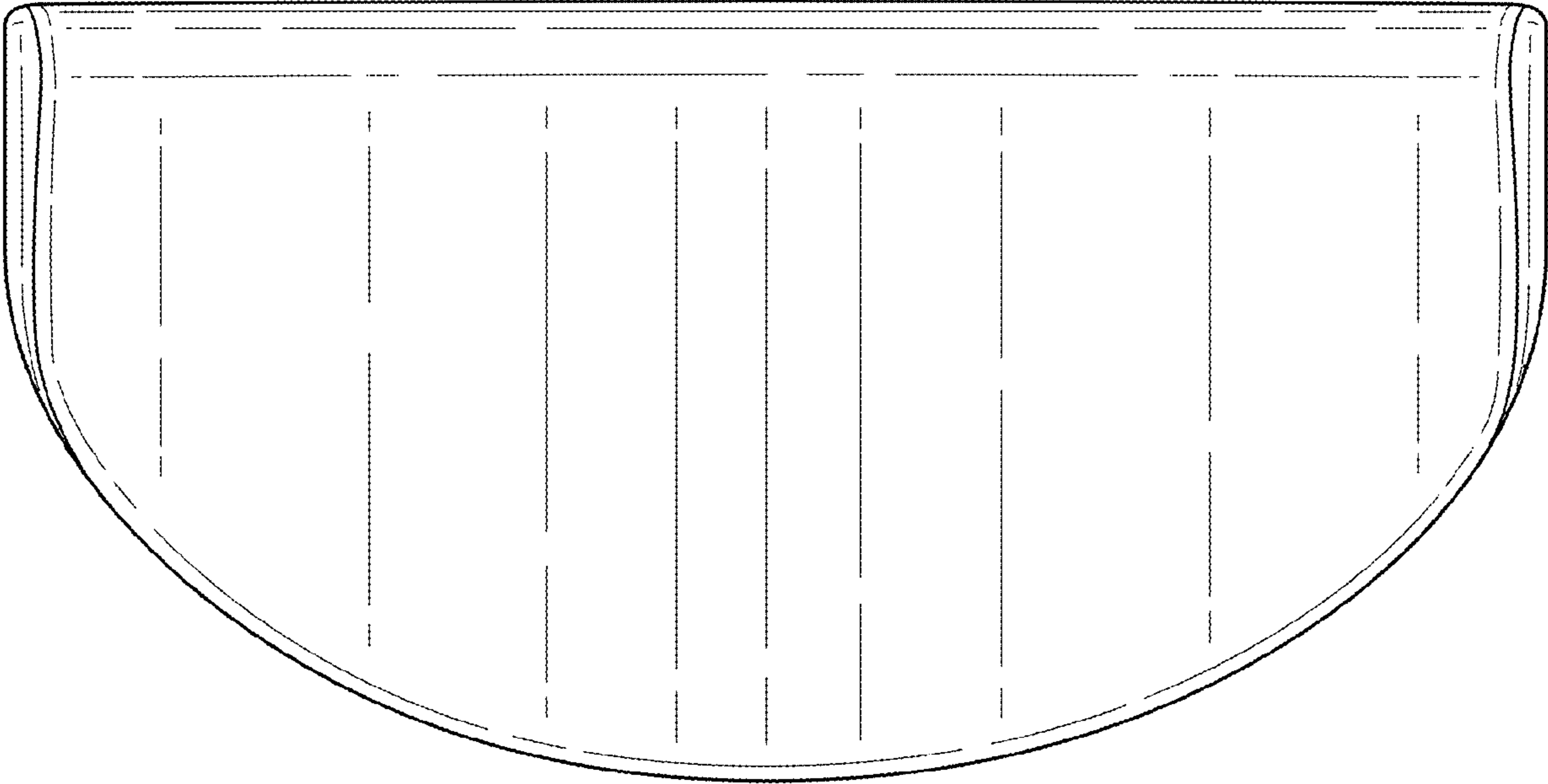


FIG. 4

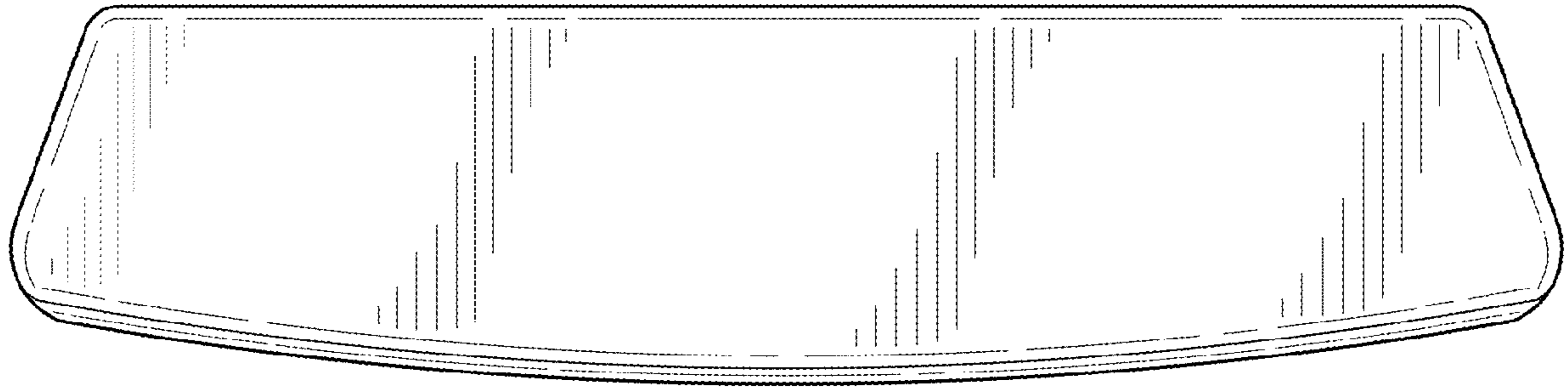


FIG. 5

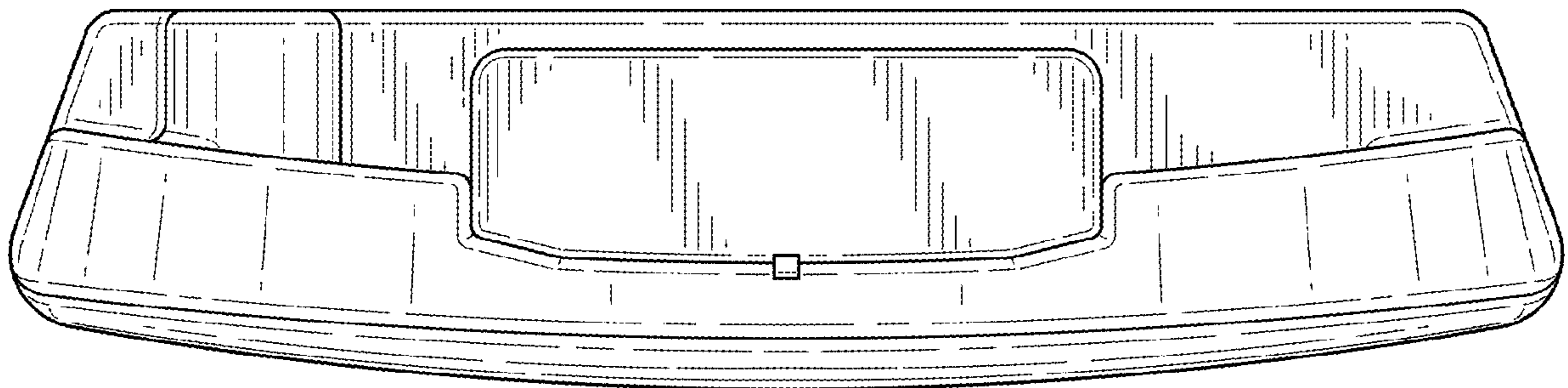


FIG. 6

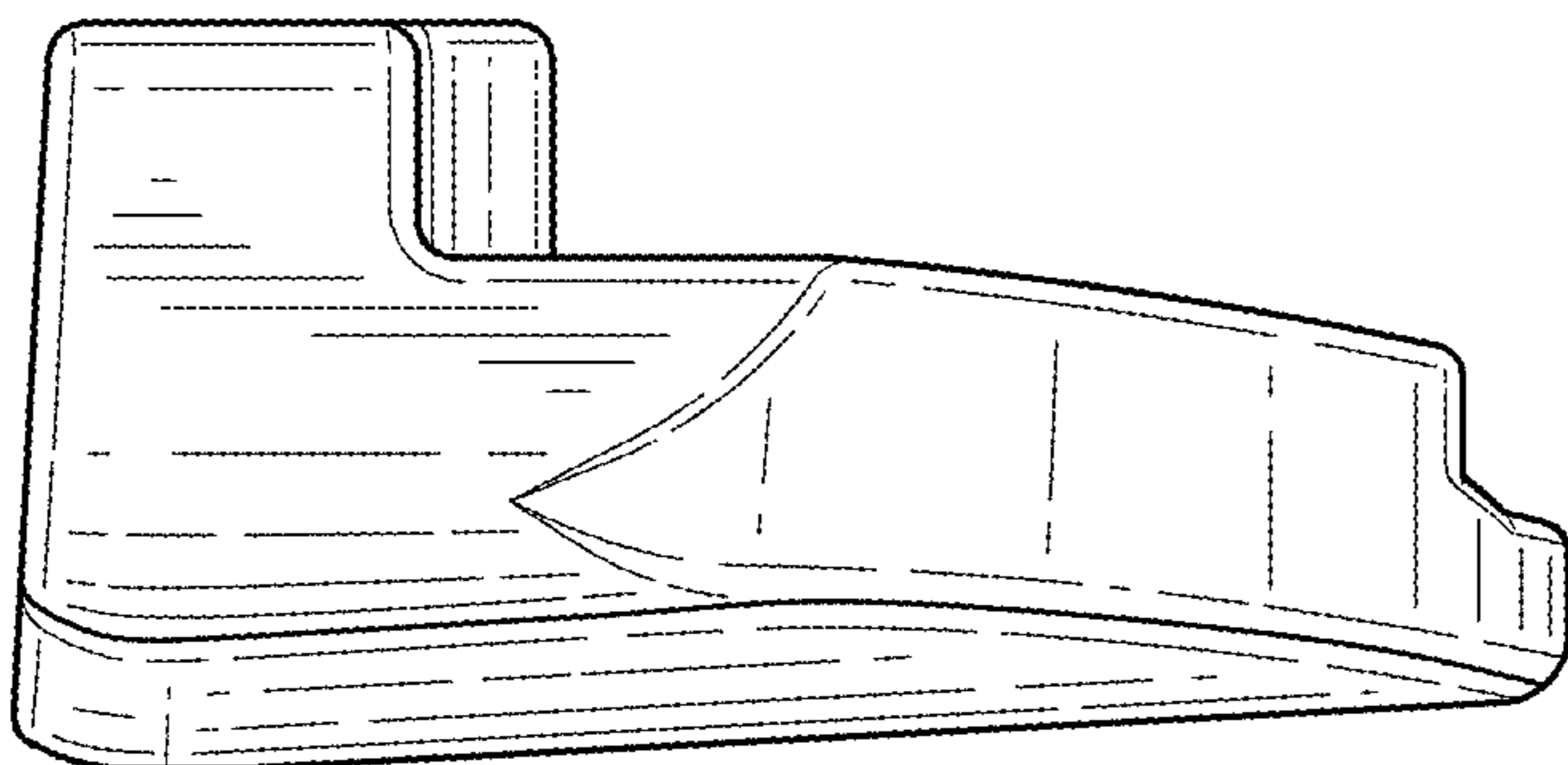


FIG. 7

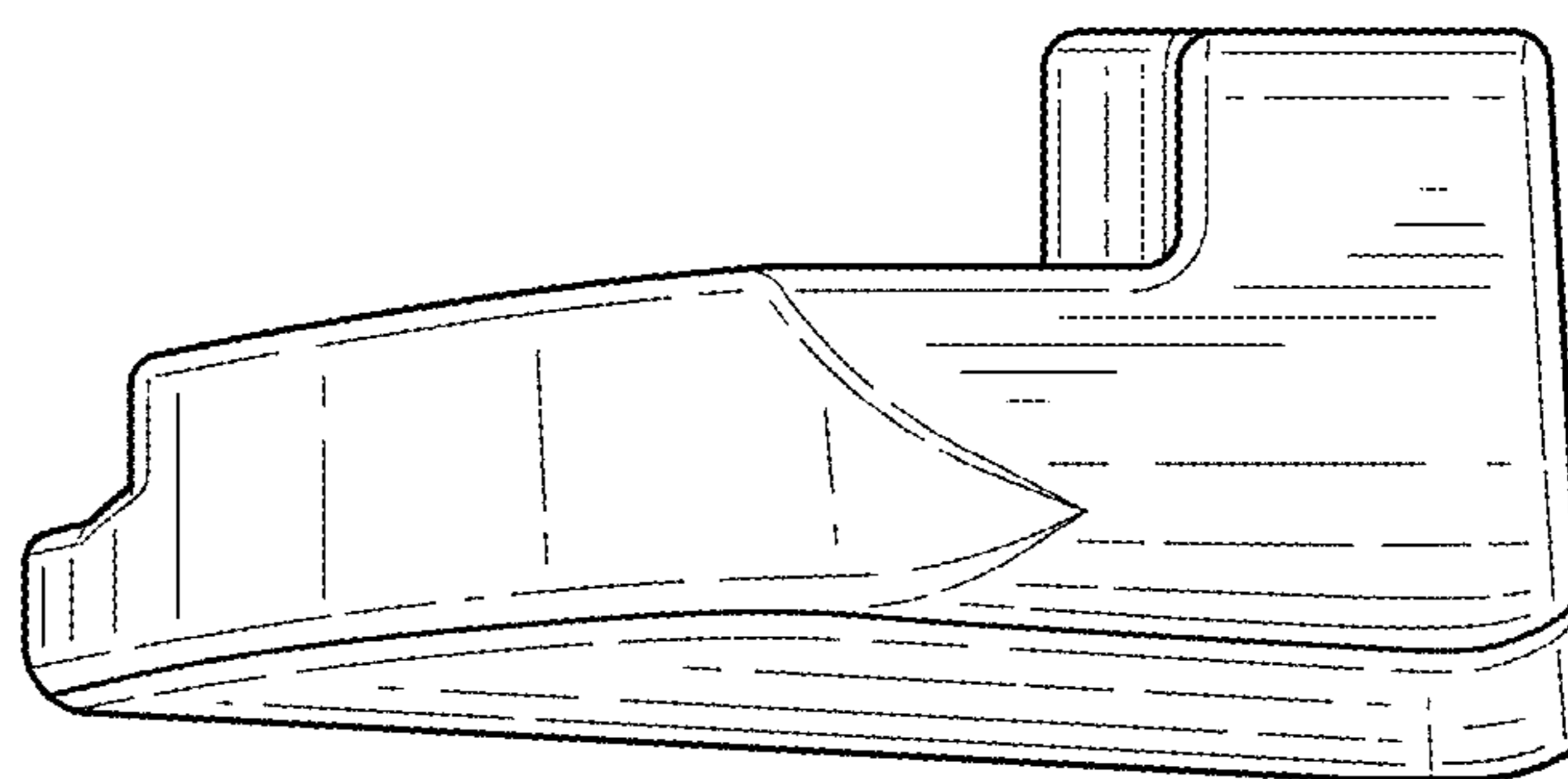


FIG. 8

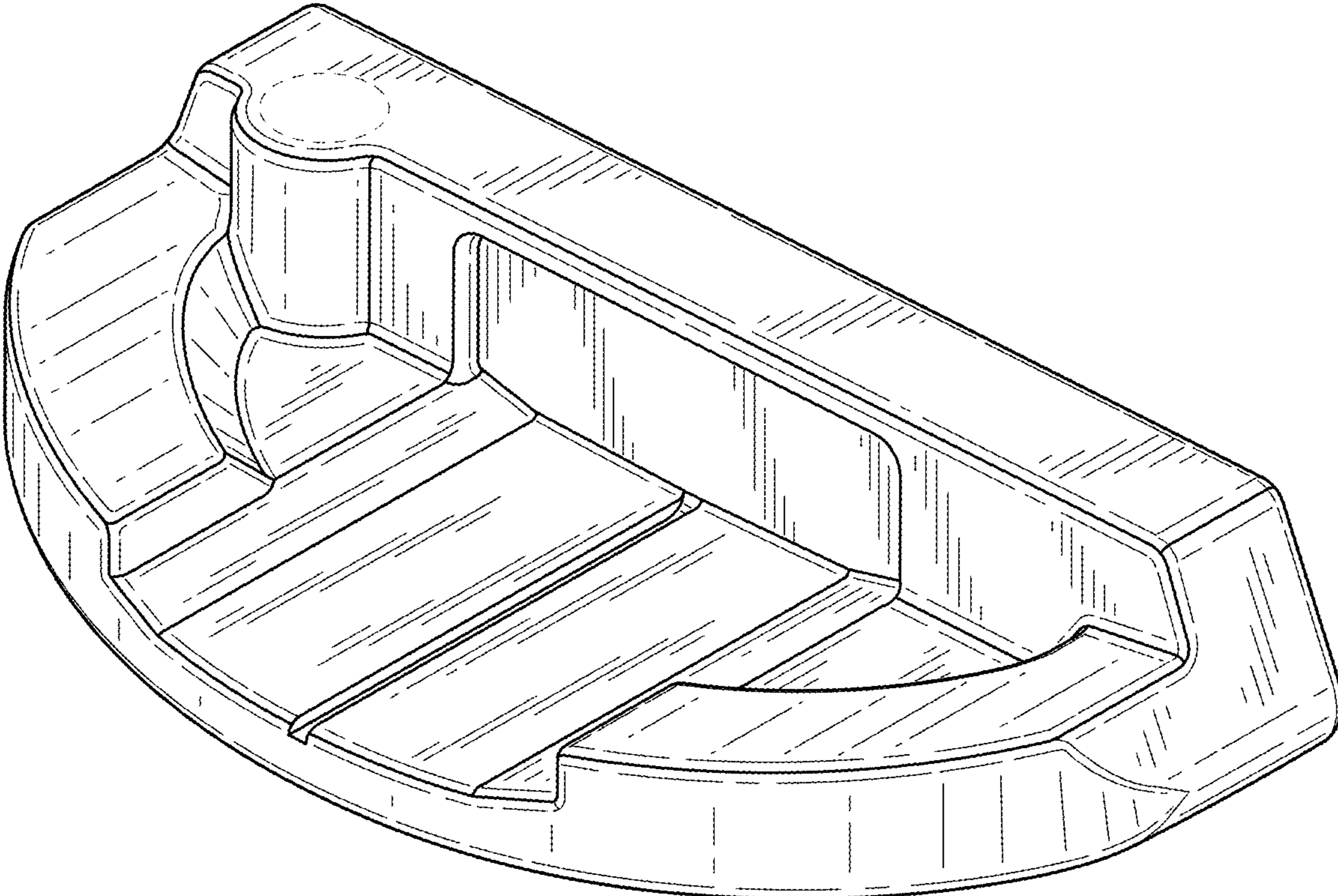


FIG. 9

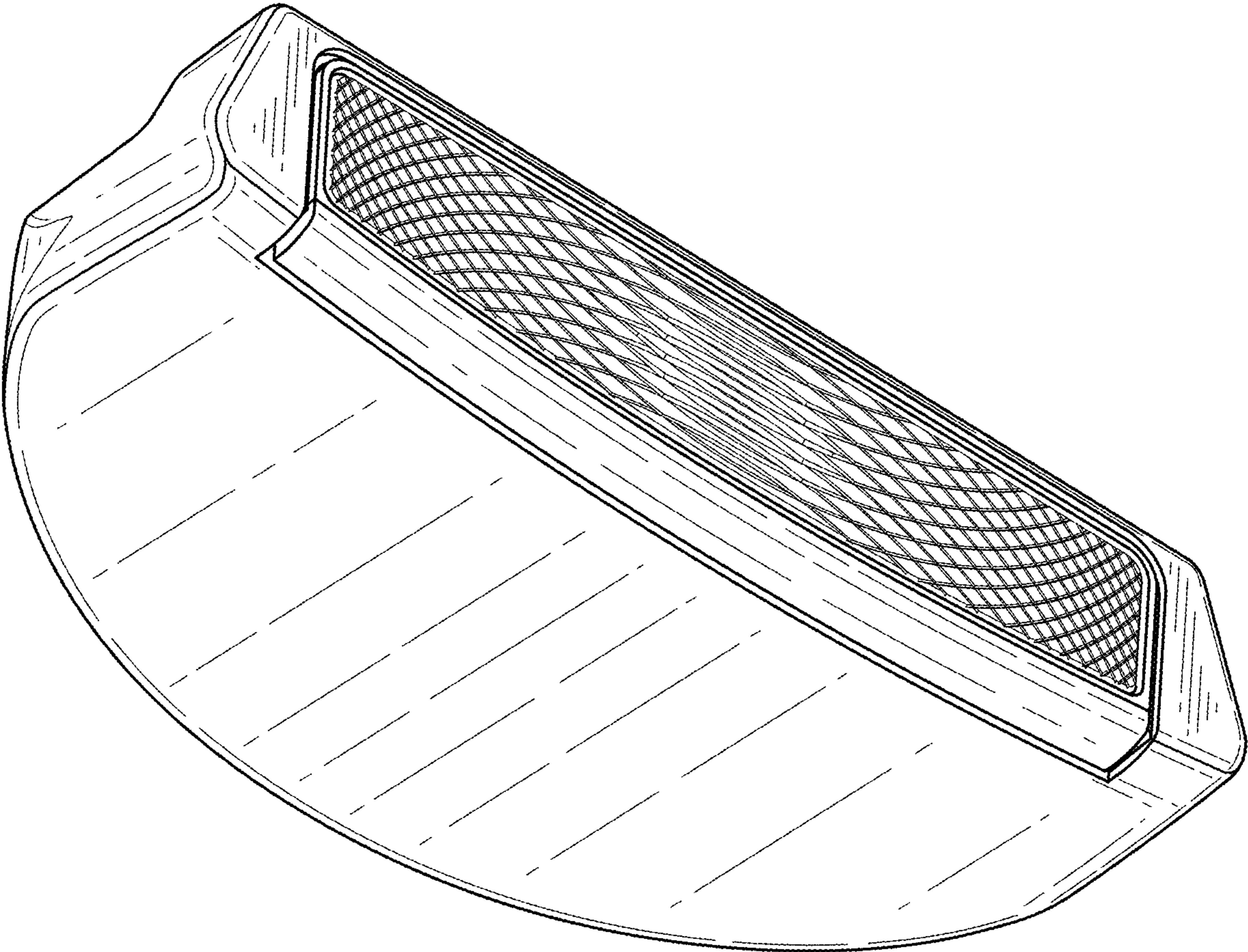


FIG. 10

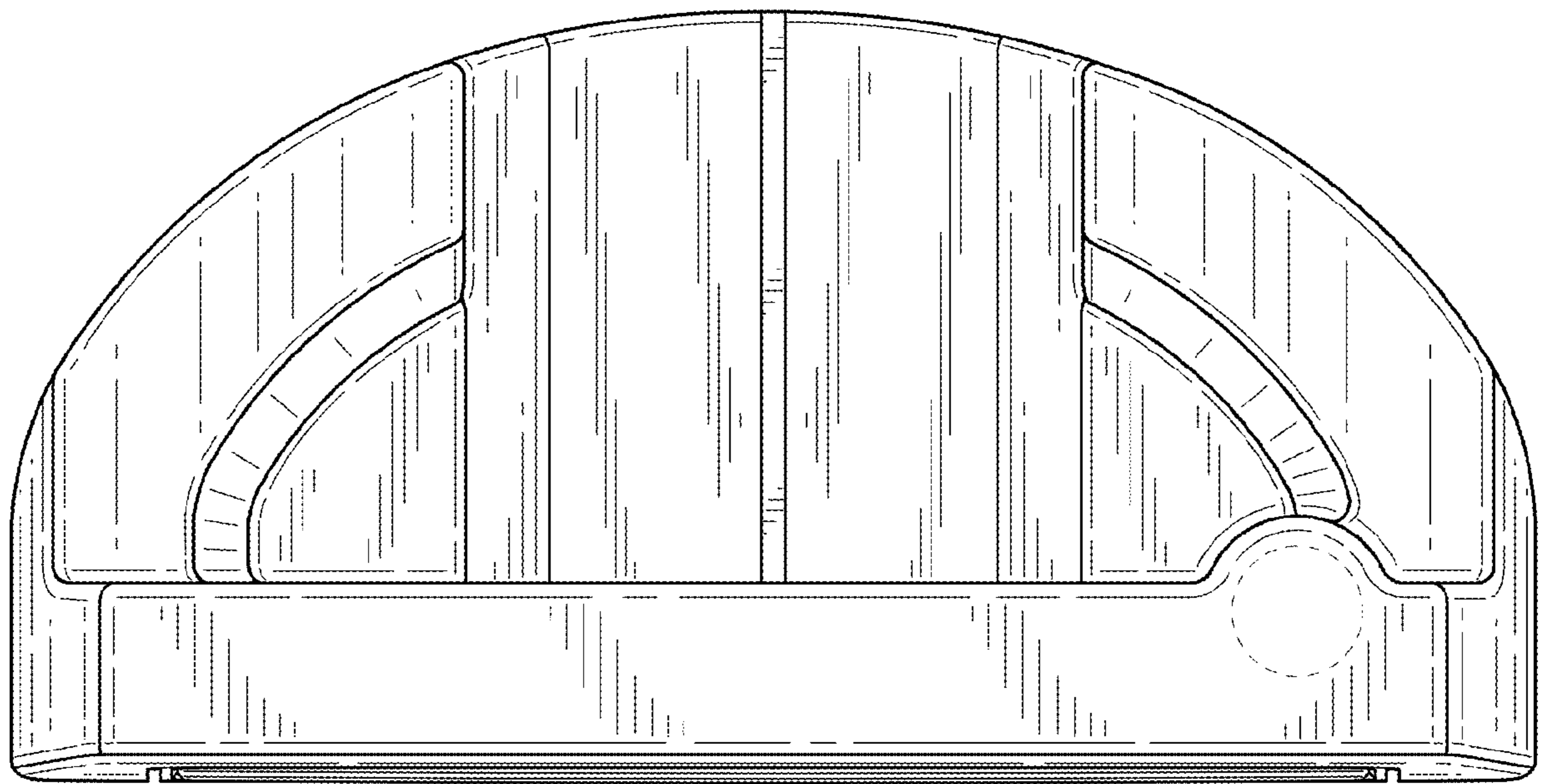


FIG. 11

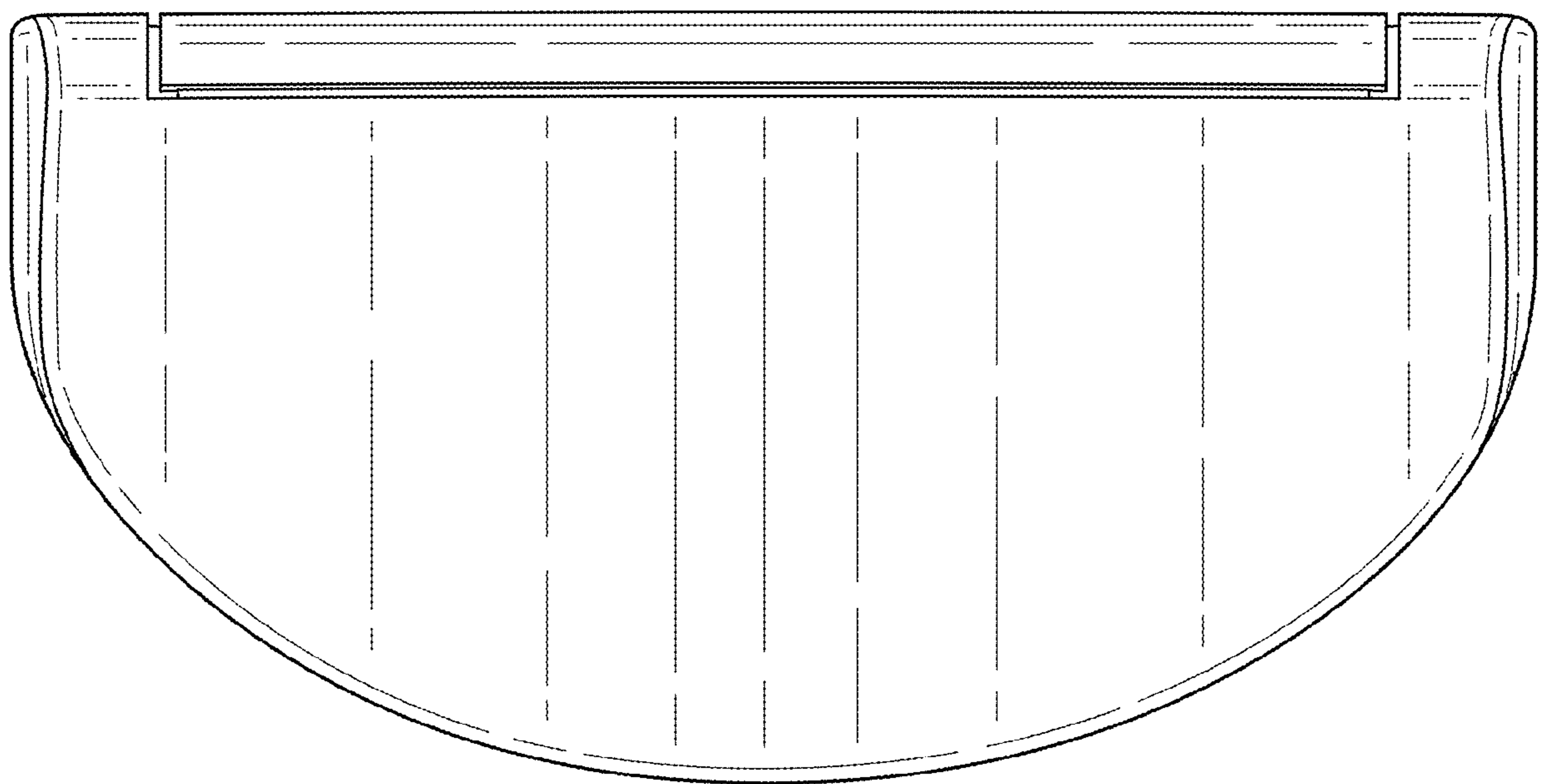


FIG. 12

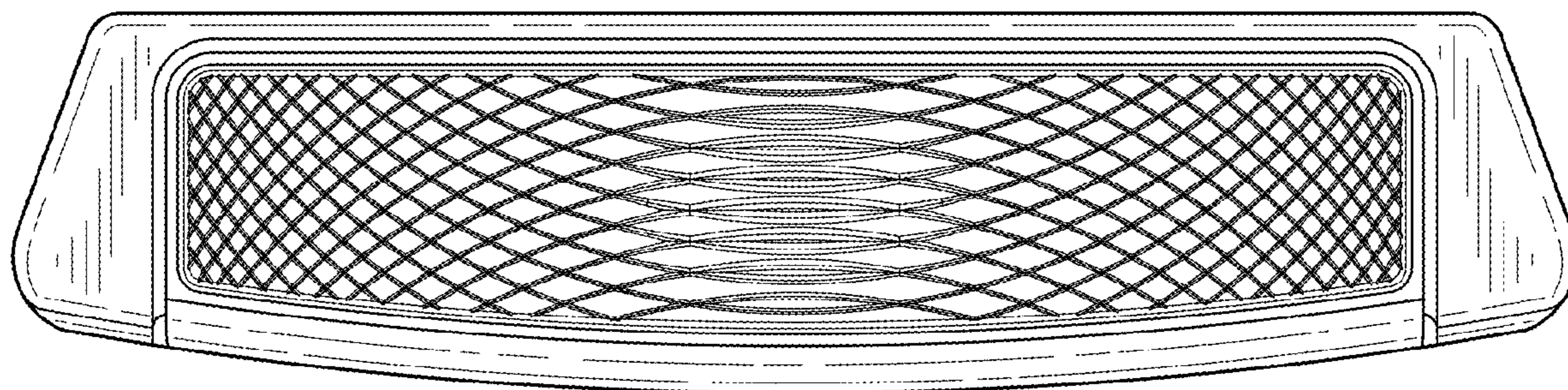


FIG. 13

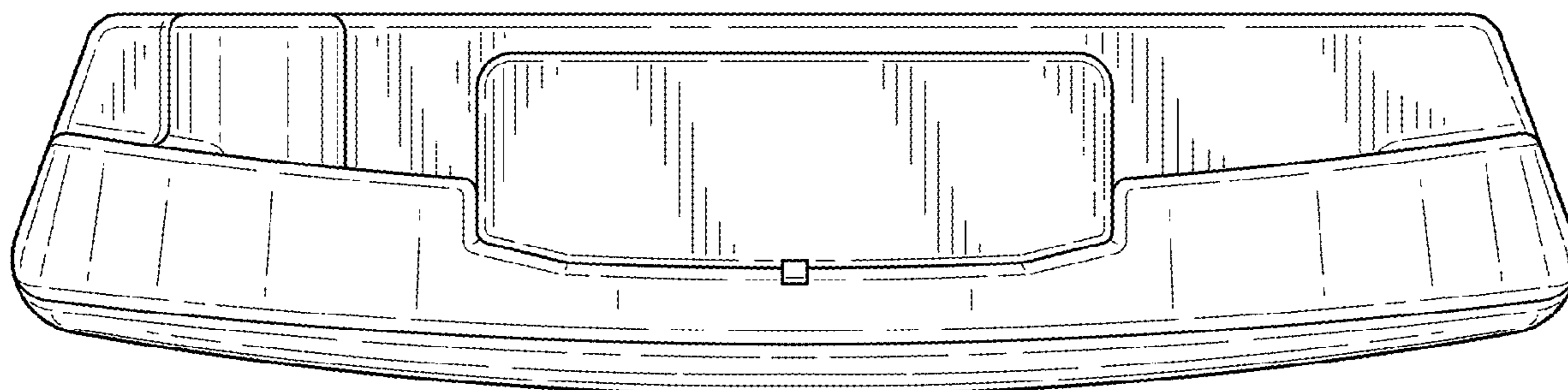


FIG. 14

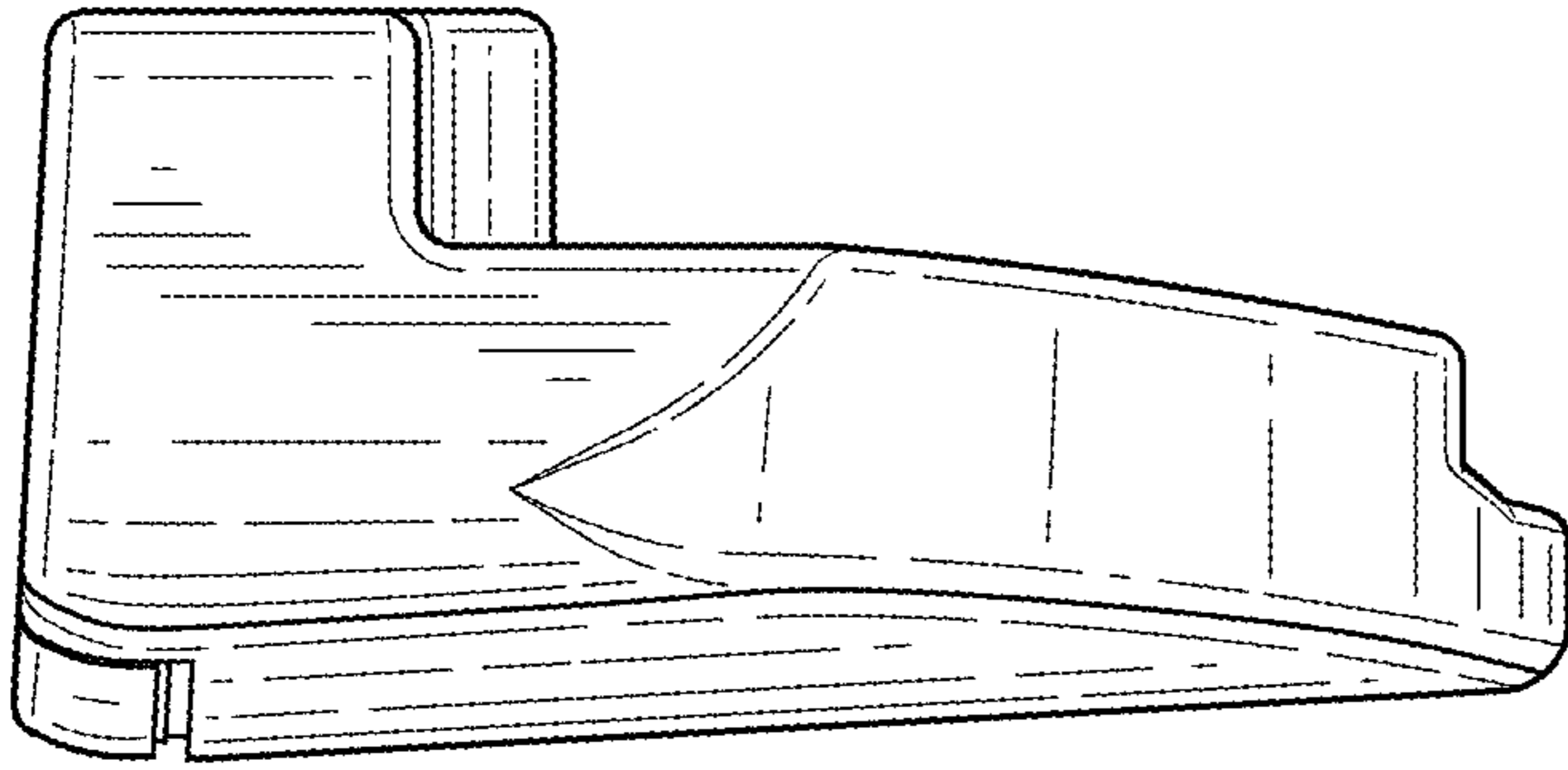


FIG. 15

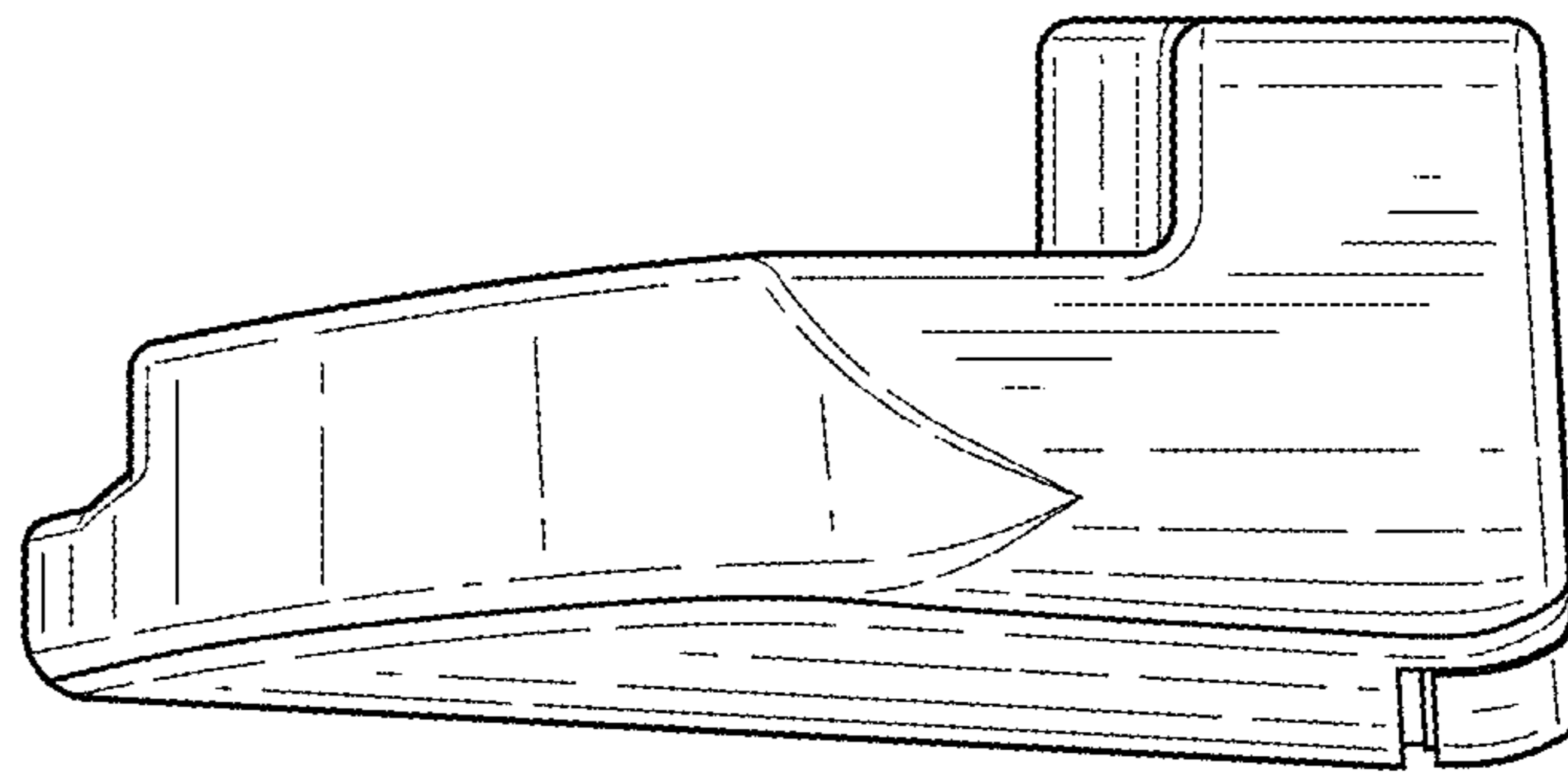


FIG. 16