



US00D912176S

(12) **United States Design Patent** (10) **Patent No.:** **US D912,176 S**
Toulon et al. (45) **Date of Patent:** **** Mar. 2, 2021**

(54) **PUTTER HEAD**
(71) Applicant: **Callaway Golf Company**, Carlsbad, CA (US)
(72) Inventors: **Sean Toulon**, Vista, CA (US); **Augustin W. Rollinson**, Solana Beach, CA (US); **Joseph Edward Toulon**, San Marcos, CA (US); **Anthony J. Toulon**, Carlsbad, CA (US)
(73) Assignee: **Callaway Golf Company**, Carlsbad, CA (US)
(**) Term: **15 Years**
(21) Appl. No.: **29/702,661**
(22) Filed: **Aug. 21, 2019**
(51) **LOC (13) Cl.** **21-02**
(52) **U.S. Cl.**
USPC **D21/743**
(58) **Field of Classification Search**
USPC D21/736-746, 759
CPC A63B 53/00; A63B 53/04; A63B 53/007; A63B 53/065; A63B 53/0487; A63B 60/00; A63B 60/46
See application file for complete search history.

(56) **References Cited**
U.S. PATENT DOCUMENTS
D316,129 S * 4/1991 Bryson D21/739
D320,251 S * 9/1991 Mermillod D21/739
D320,638 S * 10/1991 Mermillod D21/739
D449,085 S * 10/2001 Breier D21/744
D583,886 S * 12/2008 Cameron D21/743
D588,657 S * 3/2009 Hettinger D21/744
D641,057 S * 7/2011 Rollinson D21/744
D641,442 S * 7/2011 Rollinson D21/744
D643,894 S * 8/2011 Price D21/744

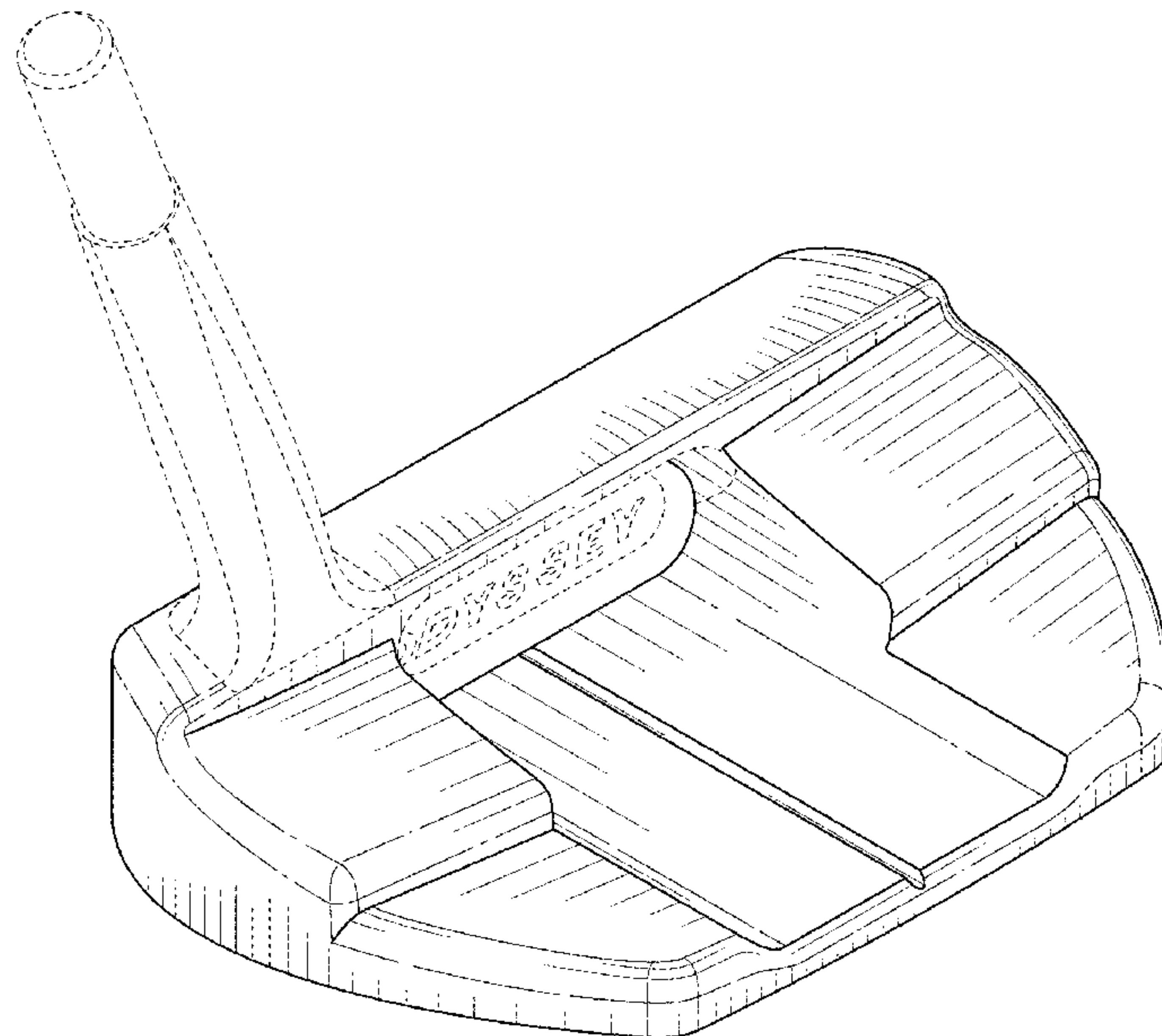
D645,923 S * 9/2011 Price D21/736
D650,457 S * 12/2011 Rollinson D21/743
D650,458 S * 12/2011 Rollinson D21/744
D652,092 S * 1/2012 Rollinson D21/743
D688,762 S * 8/2013 Hilton D21/736
D690,378 S * 9/2013 Rollinson D21/743
D704,781 S * 5/2014 Pak D21/736
D733,233 S * 6/2015 Dolezel D21/742
D741,966 S * 10/2015 Davis D21/736
D777,268 S * 1/2017 Becktor D21/742
D792,536 S * 7/2017 Wang D21/743
D826,353 S * 8/2018 Cameron D21/736
D835,218 S * 12/2018 Rollinson D21/743
D845,411 S * 4/2019 Cameron D21/742
D847,923 S * 5/2019 Wang D21/736
D875,195 S * 2/2020 Serrano D21/743
D895,747 S * 9/2020 Rollinson D21/743
2015/0080148 A1 * 3/2015 Cameron A63B 53/007
473/340

* cited by examiner
Primary Examiner — Mitchell I. Siegel
(74) *Attorney, Agent, or Firm* — Rebecca Hanovice; Michael Catania; Sonia Lari

(57) **CLAIM**
The ornamental design for a putter head, as shown and described.

DESCRIPTION
FIG. 1 is a rear perspective view of the putter head claimed herein;
FIG. 2 is a rear elevational view thereof;
FIG. 3 is a front elevational view thereof;
FIG. 4 is a right side elevational view thereof;
FIG. 5 is a left side elevational view thereof;
FIG. 6 is a top plan view thereof; and,
FIG. 7 is a bottom plan view thereof.
The broken lines shown on the drawing figures form no part of the claimed design.

1 Claim, 5 Drawing Sheets



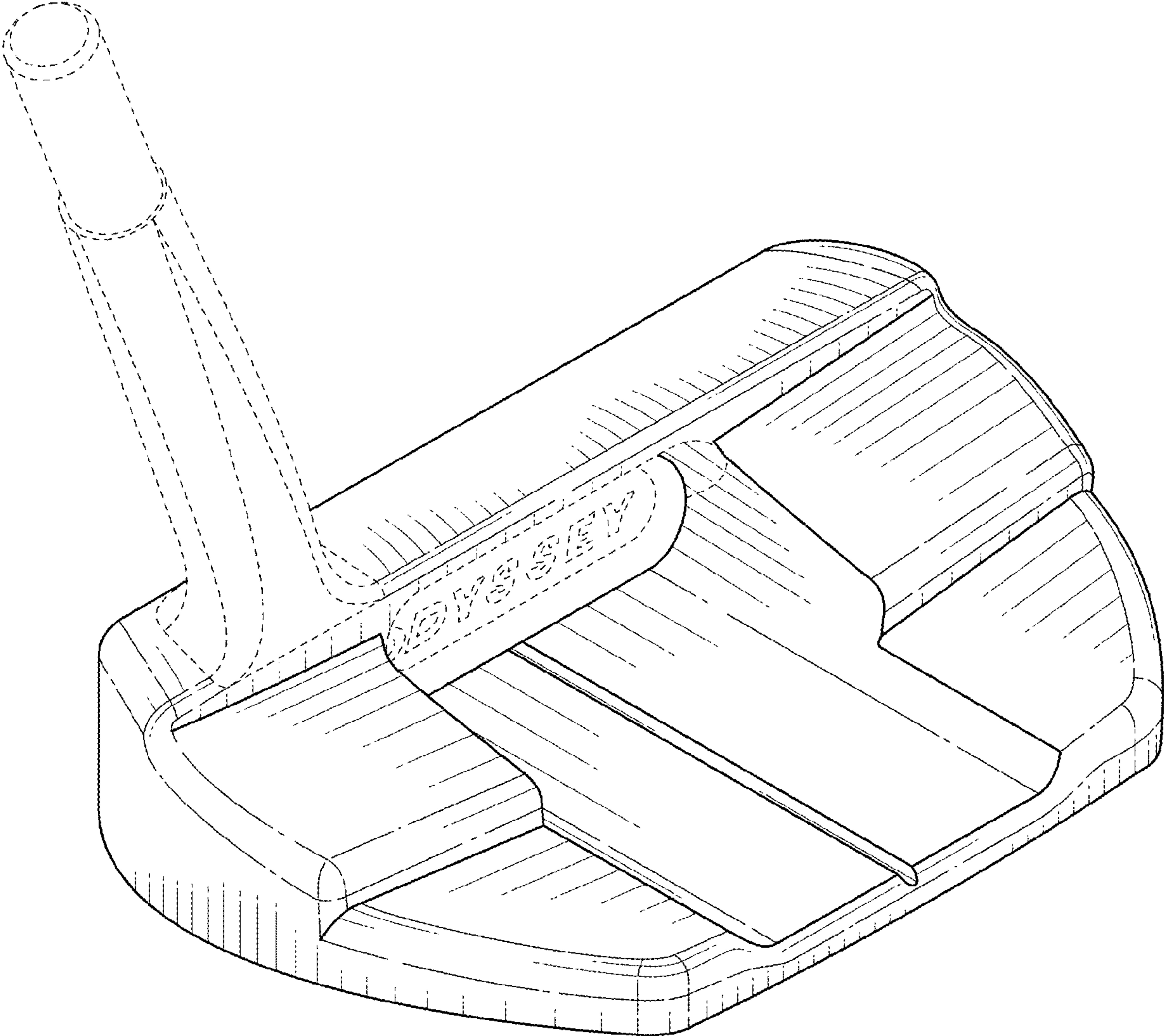


FIG. 1

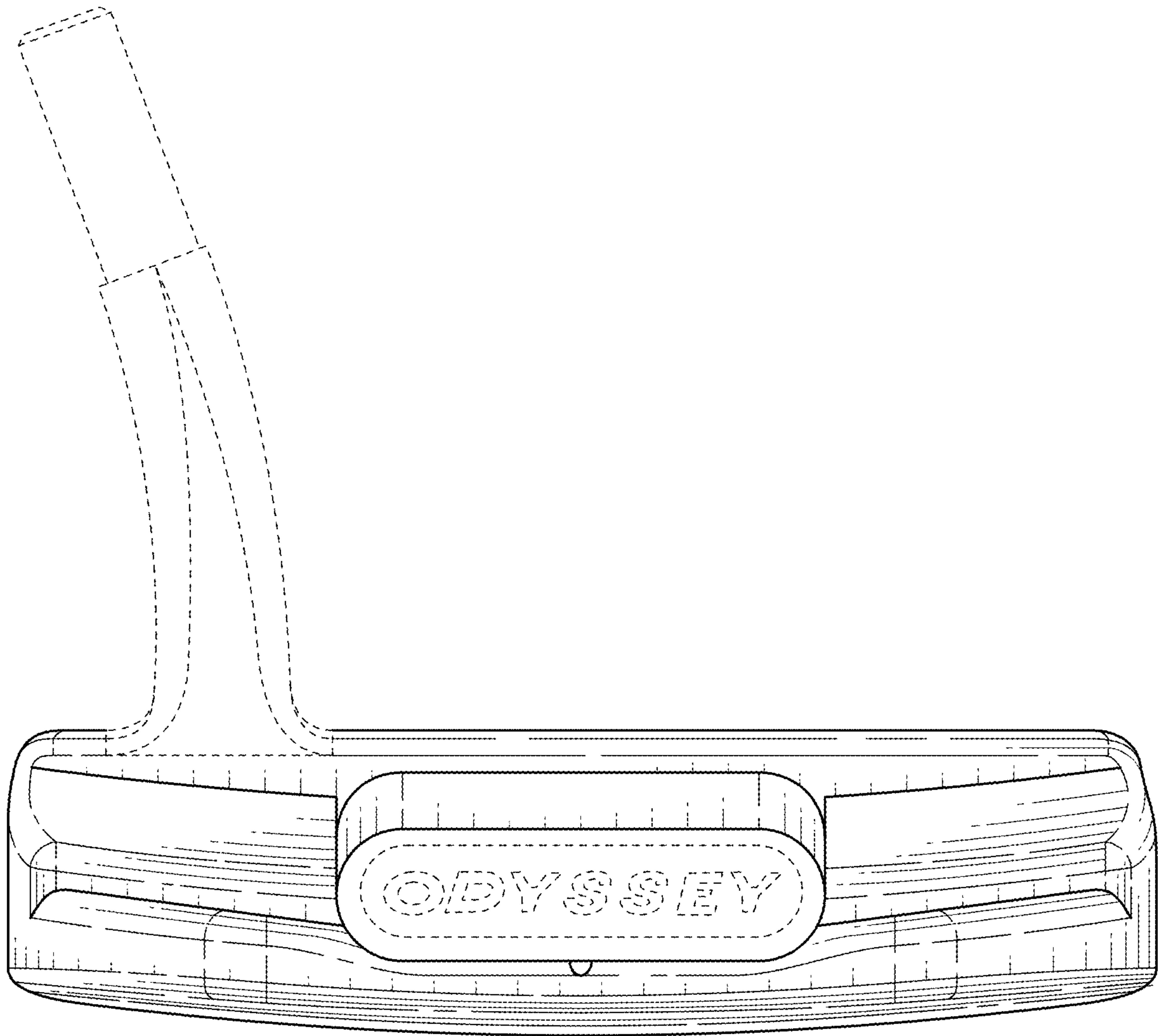


FIG. 2

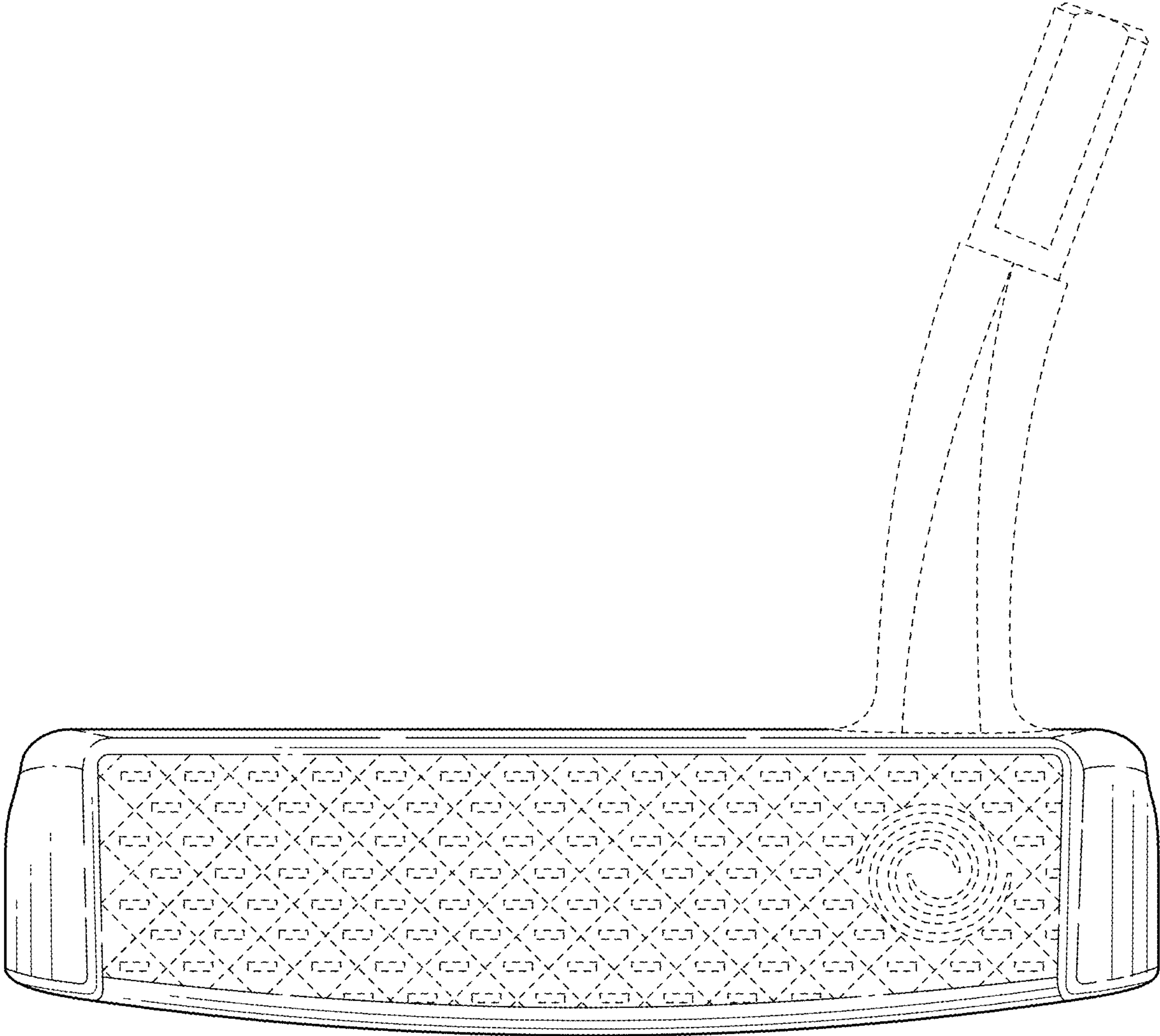


FIG. 3

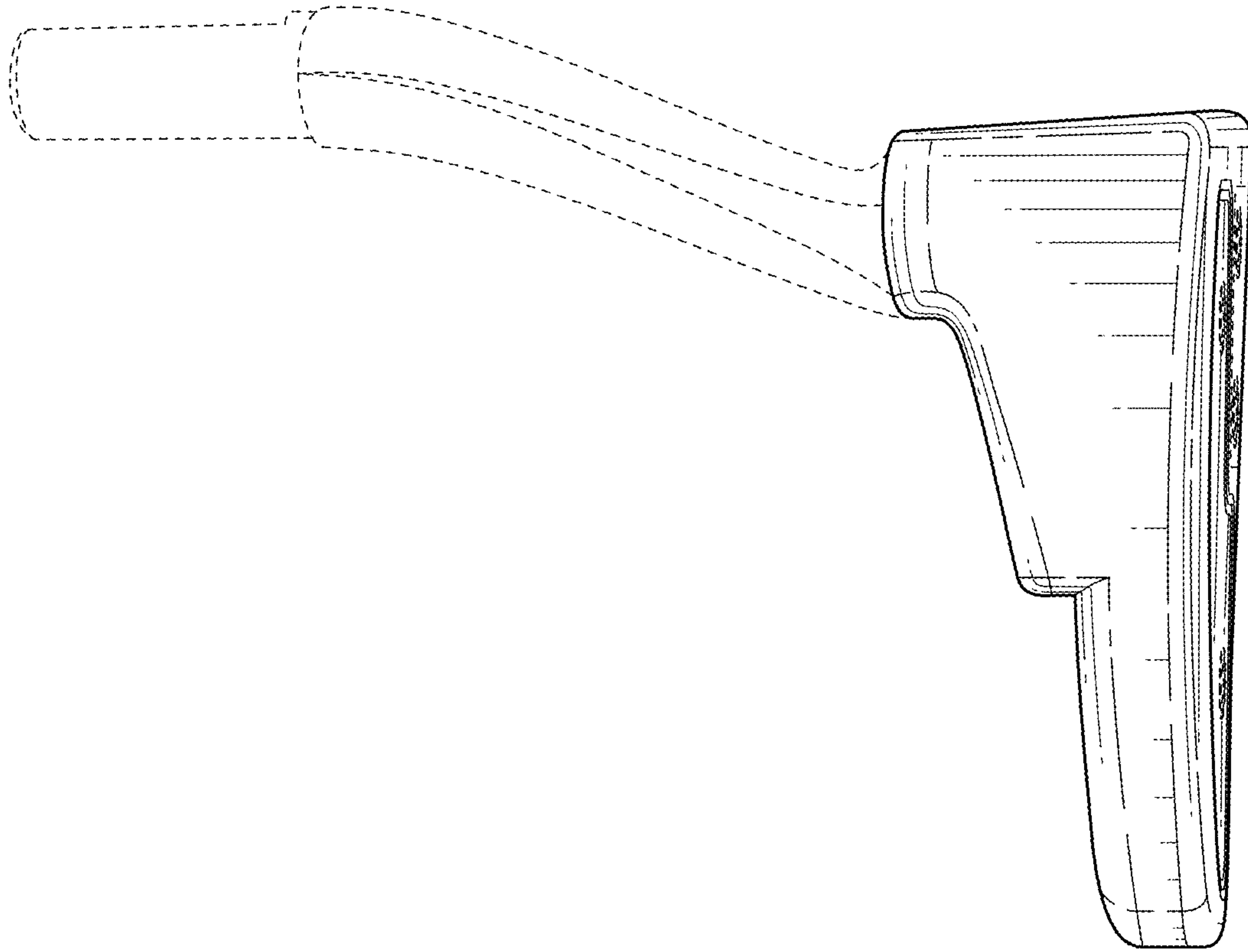


FIG. 5

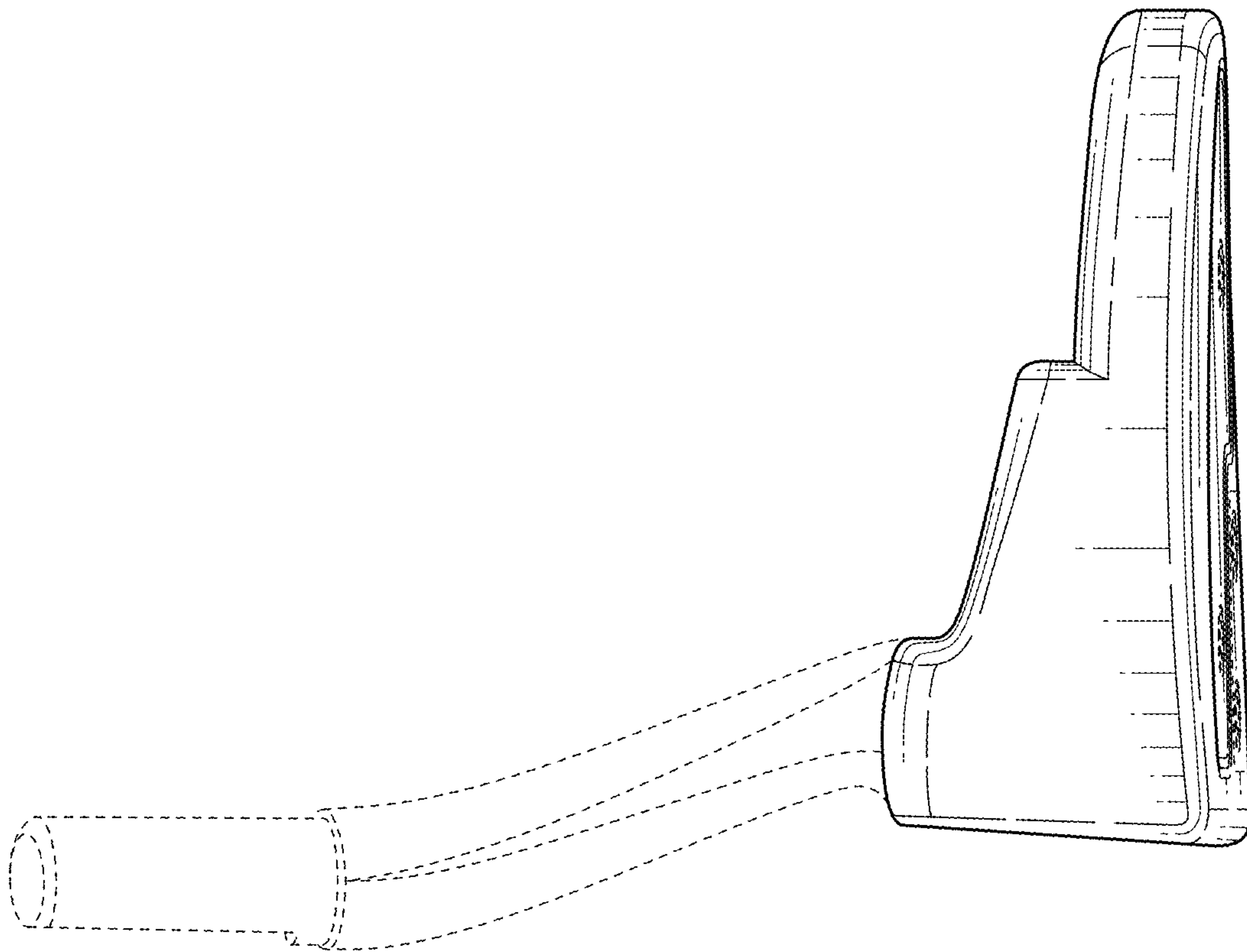


FIG. 4

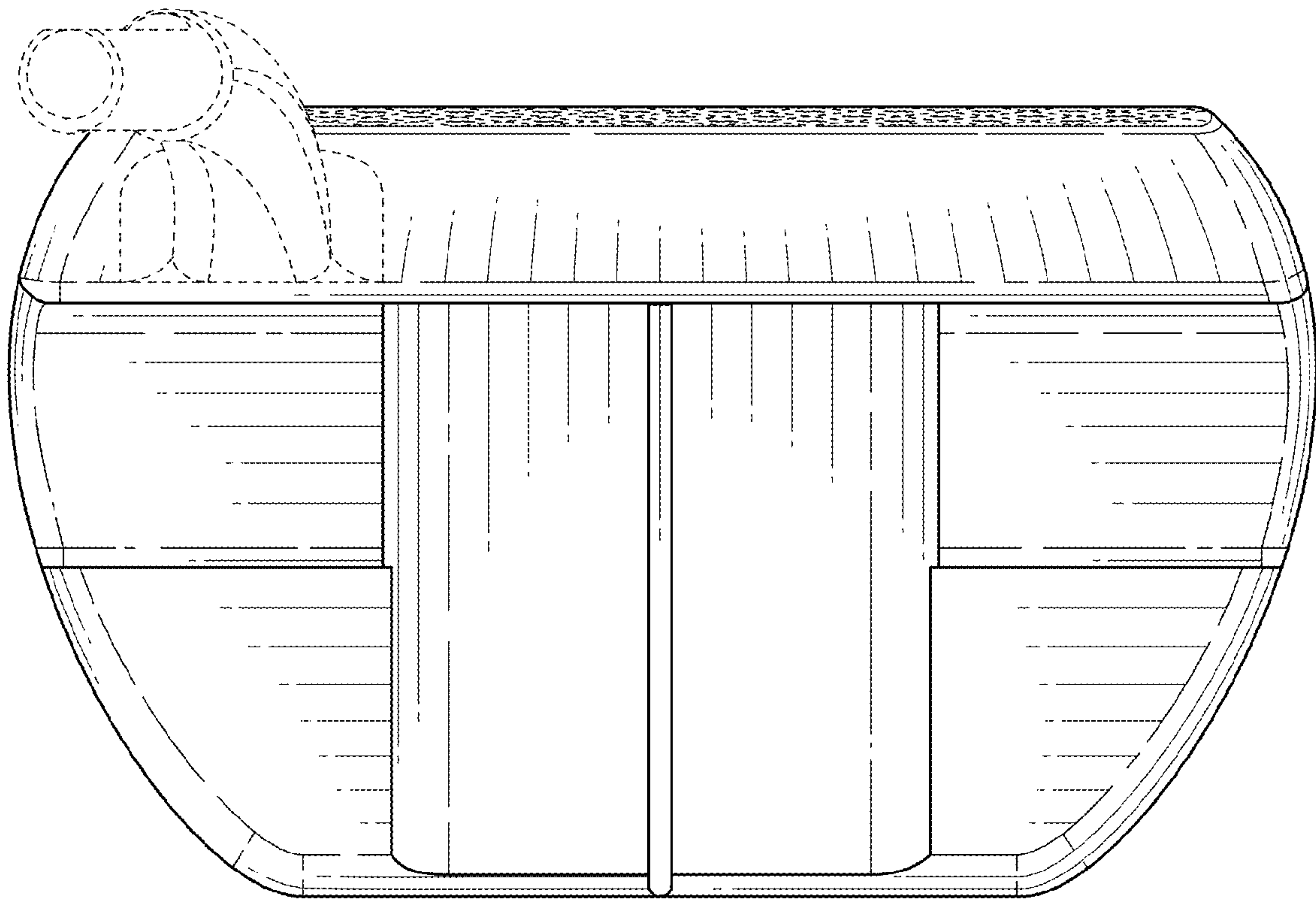


FIG. 6

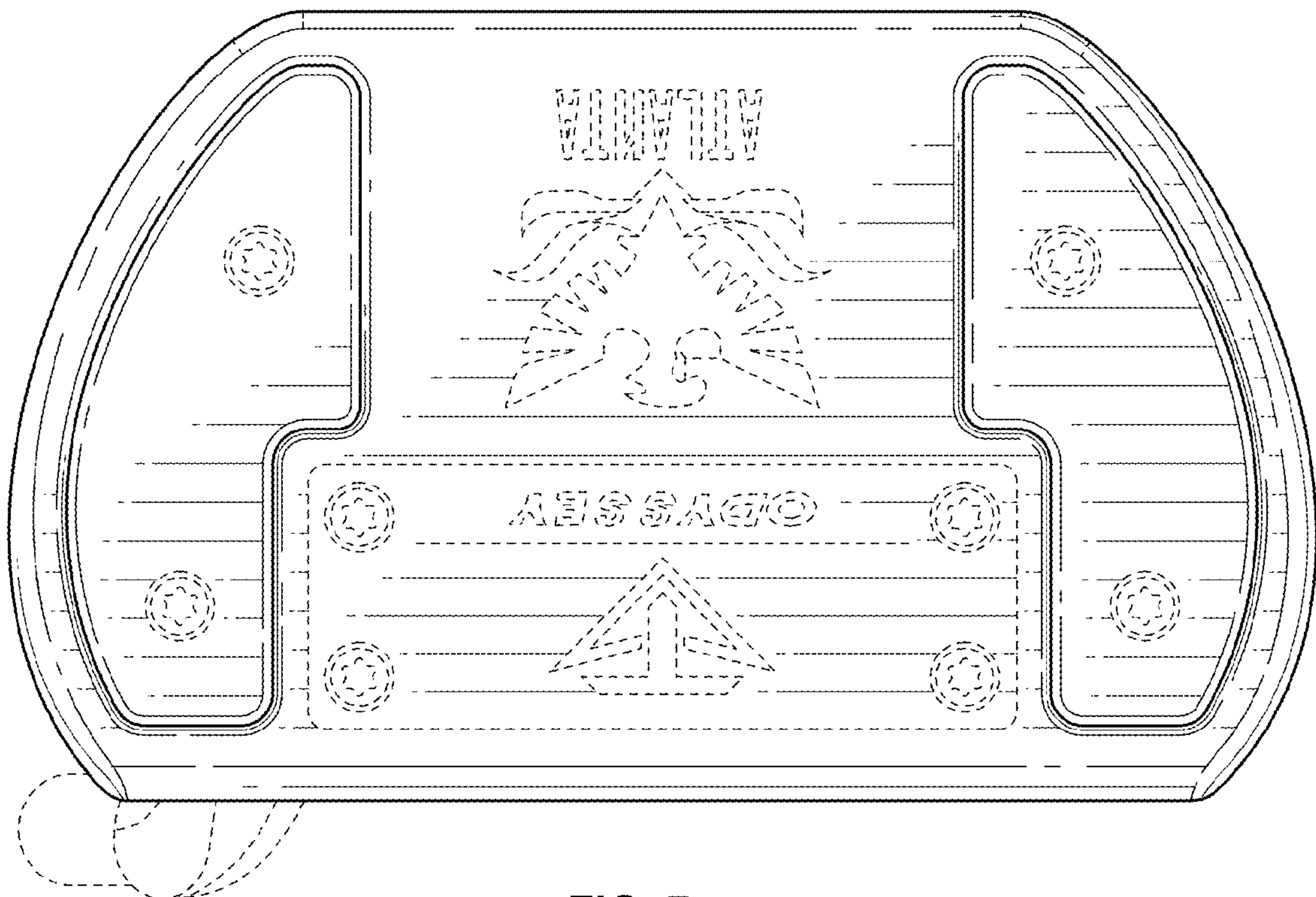


FIG. 7