



US00D912175S

(12) **United States Design Patent** (10) **Patent No.:** **US D912,175 S**
Toulon et al. (45) **Date of Patent:** **** Mar. 2, 2021**

- (54) **PUTTER HEAD**
- (71) Applicant: **Callaway Golf Company**, Carlsbad, CA (US)
- (72) Inventors: **Sean Toulon**, Vista, CA (US); **Augustin W. Rollinson**, Solana Beach, CA (US); **Joseph Edward Toulon**, San Marcos, CA (US); **Patrick Dawson**, San Diego, CA (US); **Anthony J. Toulon**, Carlsbad, CA (US)
- (73) Assignee: **Callaway Golf Company**, Carlsbad, CA (US)
- (**) Term: **15 Years**
- (21) Appl. No.: **29/702,655**
- (22) Filed: **Aug. 21, 2019**
- (51) **LOC (13) Cl.** **21-02**
- (52) **U.S. Cl.**
USPC **D21/743**
- (58) **Field of Classification Search**
USPC D21/736-746, 759
CPC A63B 53/00; A63B 53/04; A63B 53/007; A63B 53/065; A63B 53/0487; A63B 60/00; A63B 60/46
See application file for complete search history.

D645,923 S *	9/2011	Price	D21/736
D650,457 S *	12/2011	Rollinson	D21/743
D650,458 S *	12/2011	Rollinson	D21/744
D652,092 S *	1/2012	Rollinson	D21/743
D688,762 S *	8/2013	Hilton	D21/736
D690,378 S *	9/2013	Rollinson	D21/743
D704,781 S *	5/2014	Pak	D21/736
D733,233 S *	6/2015	Dolezel	D21/742
D741,966 S *	10/2015	Davis	D21/736
D777,268 S *	1/2017	Becktor	D21/742
D792,536 S *	7/2017	Wang	D21/743
D826,353 S *	8/2018	Cameron	D21/736
D835,218 S *	12/2018	Rollinson	D21/743
D845,411 S *	4/2019	Cameron	D21/742
D847,923 S *	5/2019	Wang	D21/736
D875,195 S *	2/2020	Serrano	D21/743
D895,747 S *	9/2020	Rollinson	D21/743
2015/0080148 A1 *	3/2015	Cameron	A63B 53/007 473/340

* cited by examiner

Primary Examiner — Mitchell I. Siegel
(74) *Attorney, Agent, or Firm* — Rebecca Hanovice; Michael Catania; Sonia Lari

(57) **CLAIM**

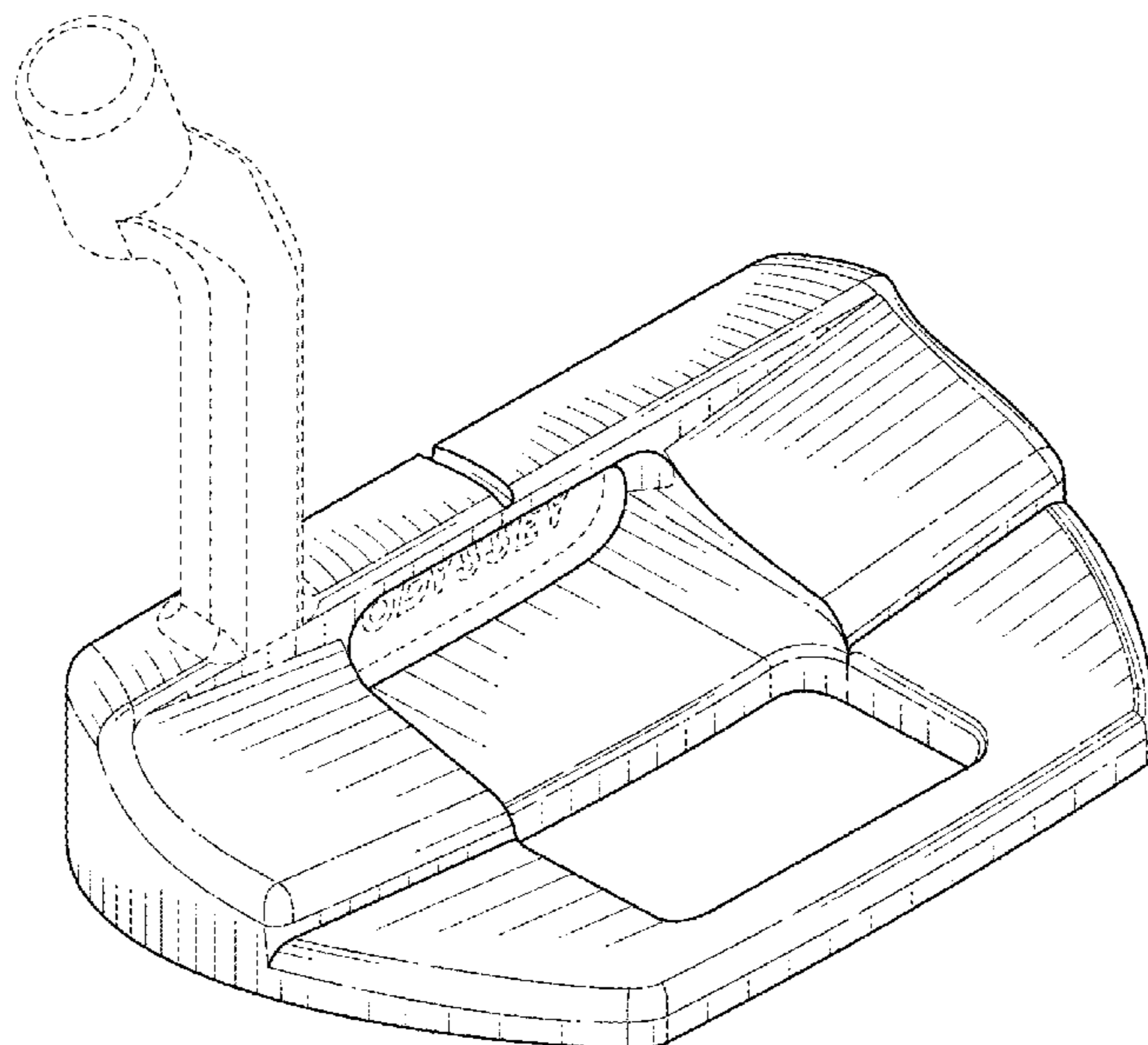
The ornamental design for a putter head, as shown and described.

DESCRIPTION

FIG. 1 is a rear perspective view of the putter head claimed herein;
FIG. 2 is a rear elevational view thereof;
FIG. 3 is a front elevational view thereof;
FIG. 4 is a right side elevational view thereof;
FIG. 5 is a left side elevational view thereof;
FIG. 6 is a top plan view thereof; and,
FIG. 7 is a bottom plan view thereof.
The broken lines shown on the drawing figures form no part of the claimed design.

1 Claim, 4 Drawing Sheets

- (56) **References Cited**
U.S. PATENT DOCUMENTS
- | | | | | |
|--------------|---------|-----------|-------|---------|
| D316,129 S * | 4/1991 | Bryson | | D21/739 |
| D320,251 S * | 9/1991 | Mermillod | | D21/739 |
| D320,638 S * | 10/1991 | Mermillod | | D21/739 |
| D449,085 S * | 10/2001 | Breier | | D21/744 |
| D583,886 S * | 12/2008 | Cameron | | D21/743 |
| D588,657 S * | 3/2009 | Hettinger | | D21/744 |
| D641,057 S * | 7/2011 | Rollinson | | D21/744 |
| D641,442 S * | 7/2011 | Rollinson | | D21/744 |
| D643,894 S * | 8/2011 | Price | | D21/744 |



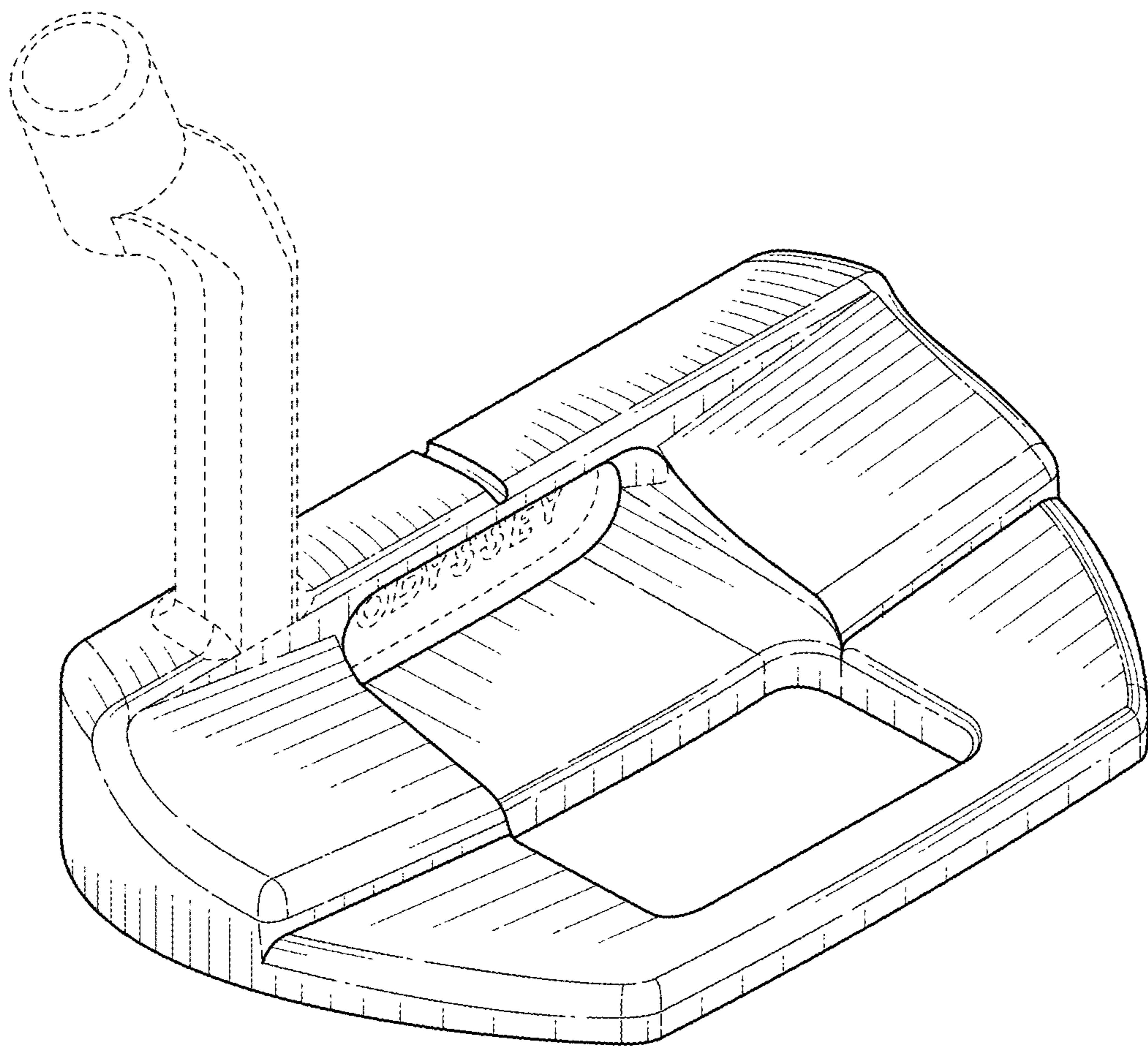


FIG. 1

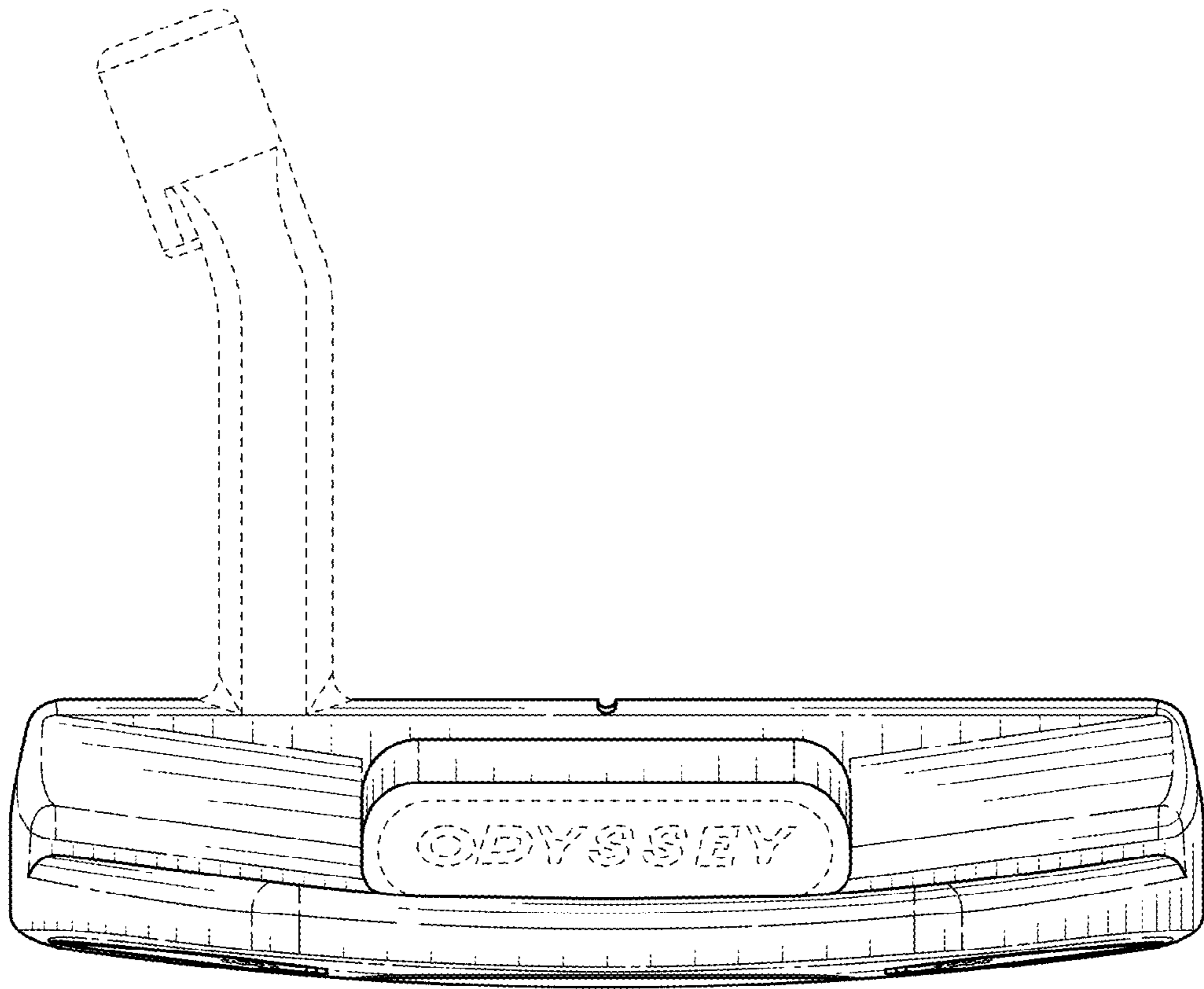


FIG. 2

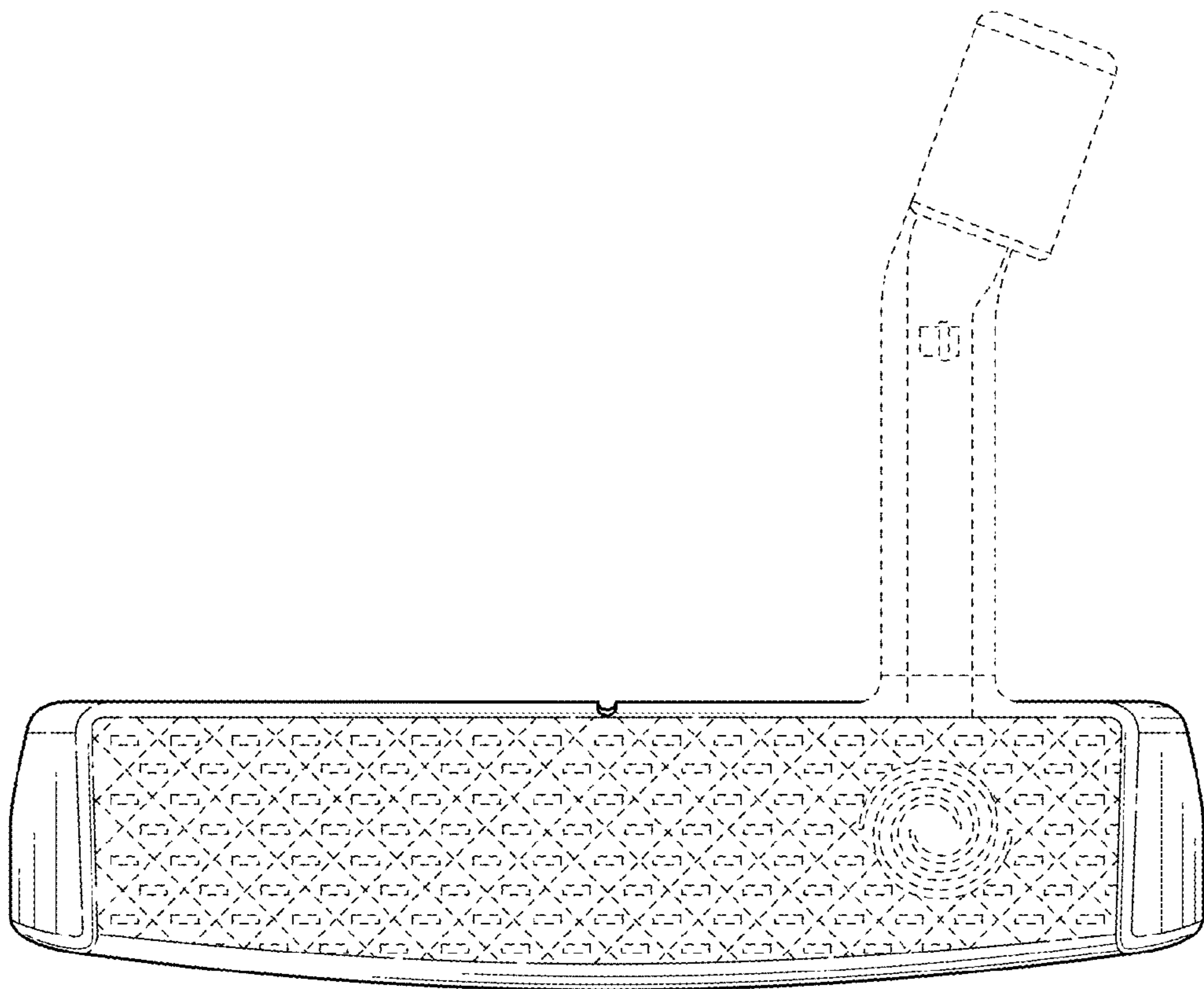


FIG. 3

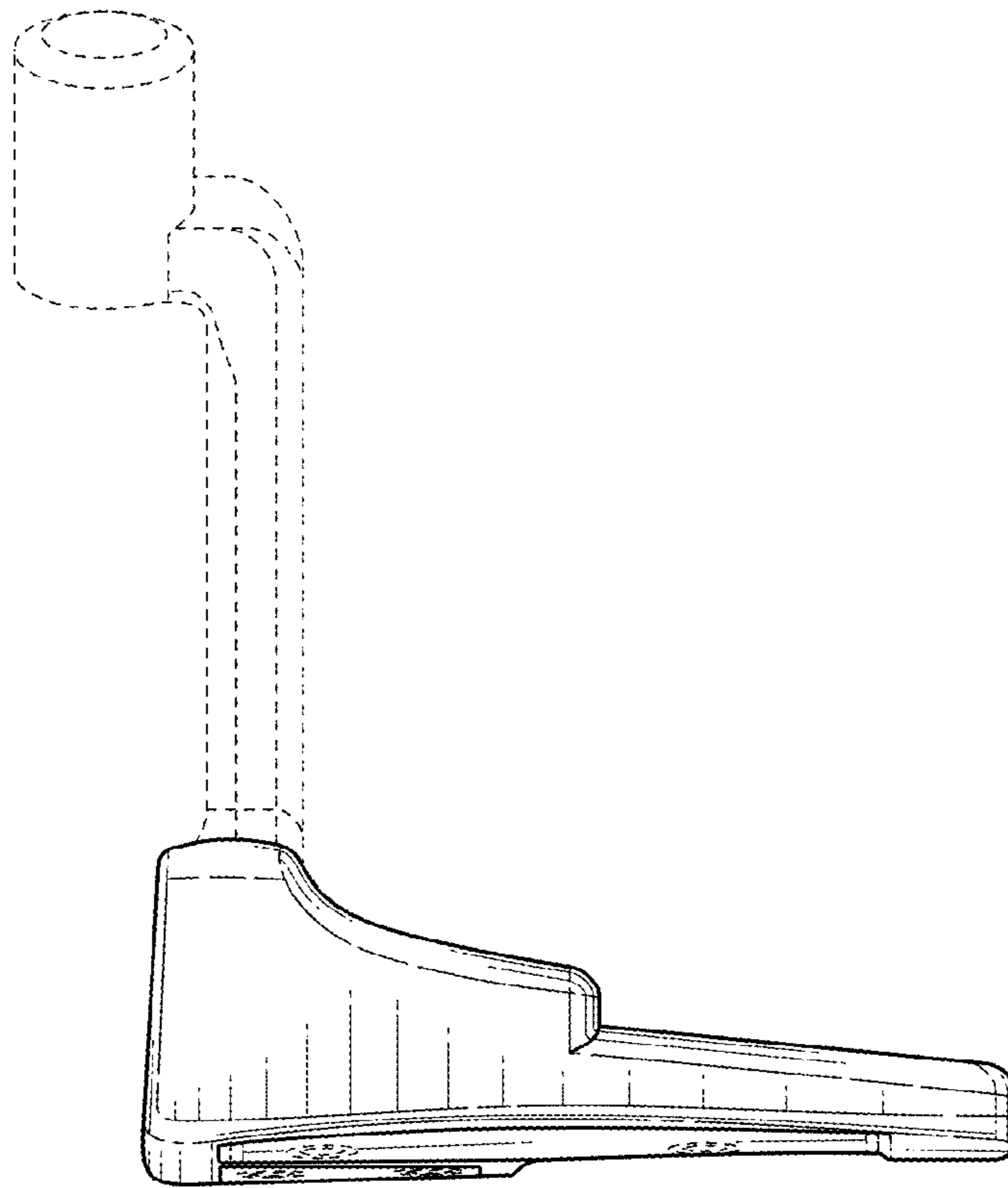


FIG. 4

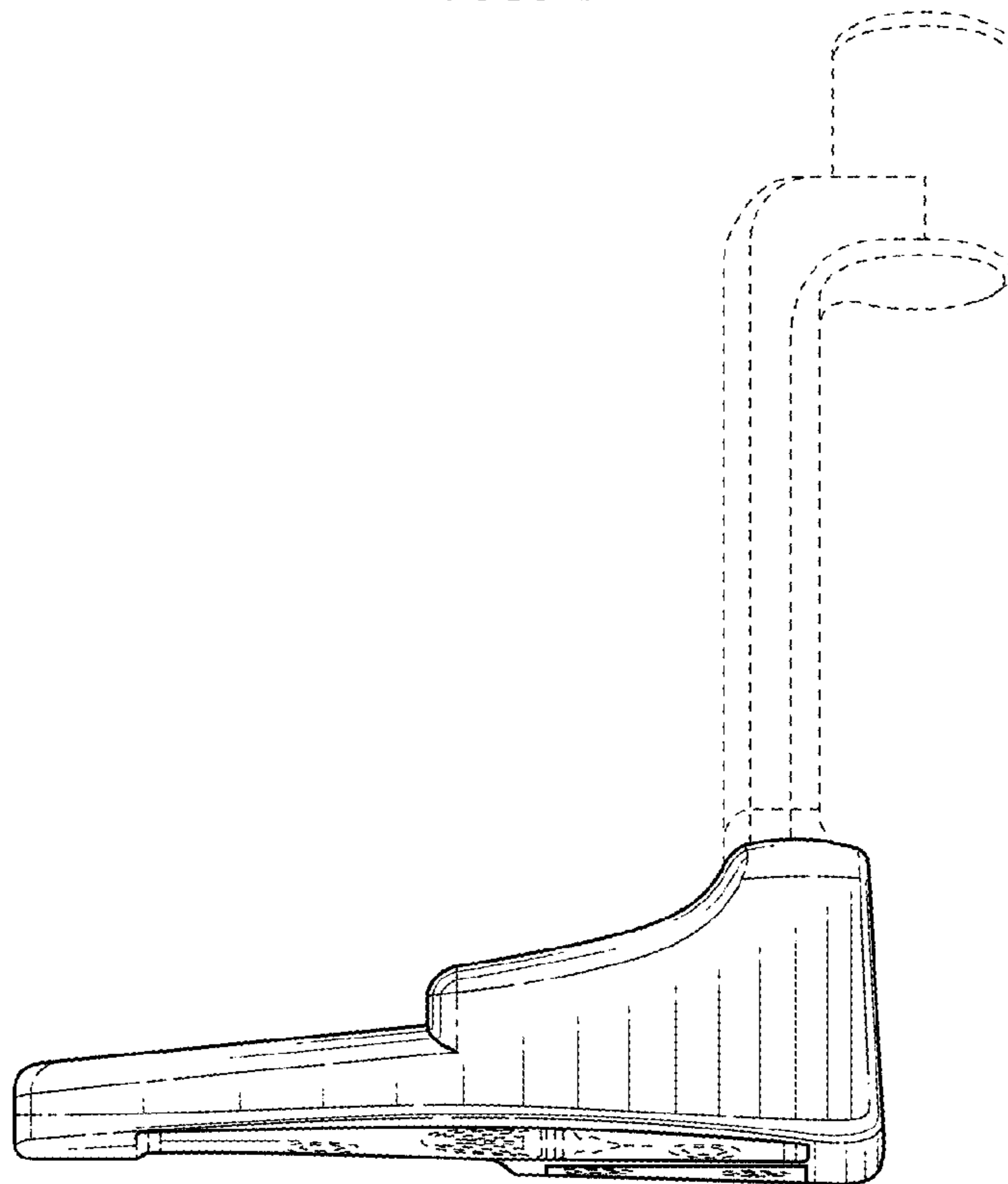


FIG. 5

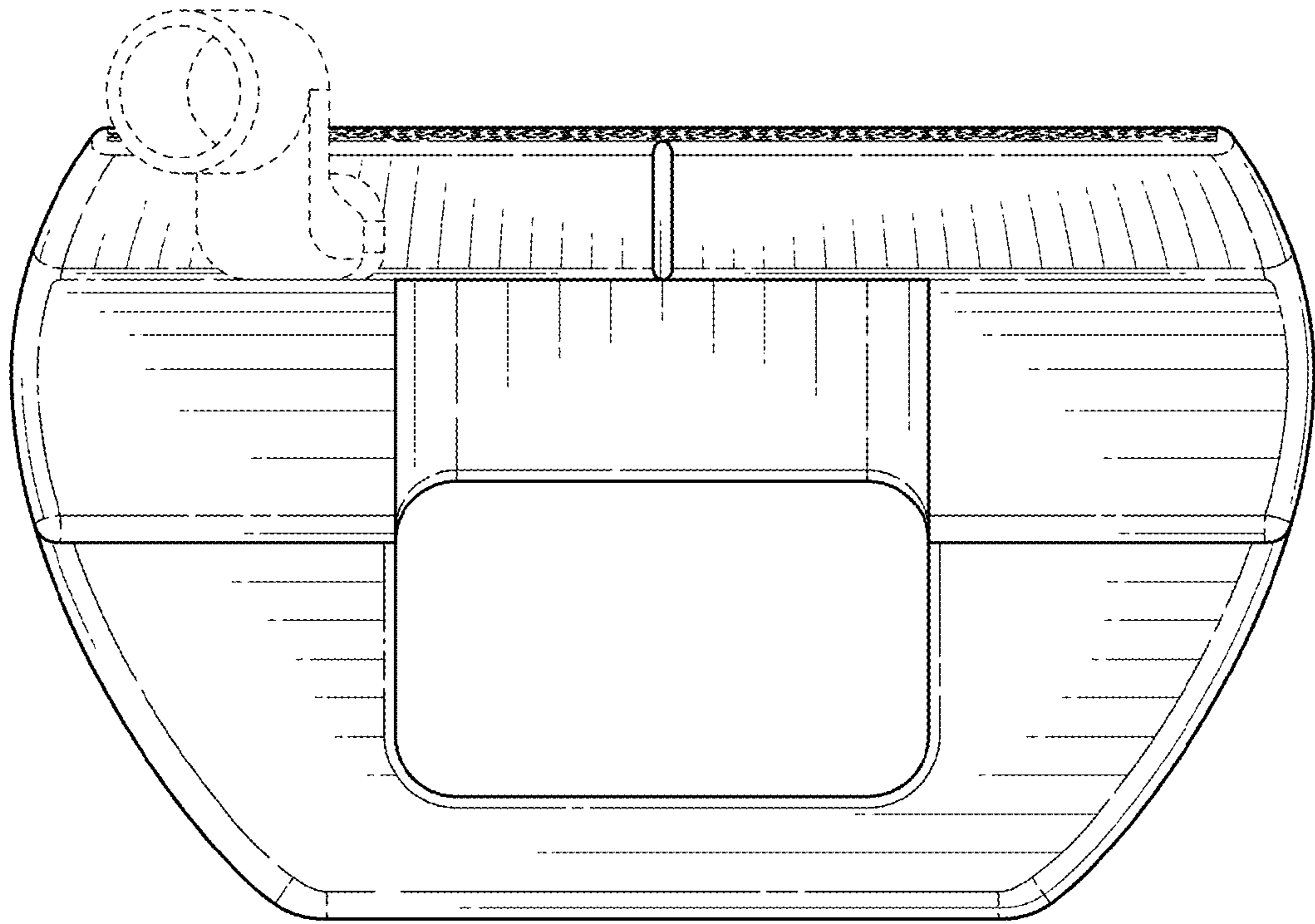


FIG. 6

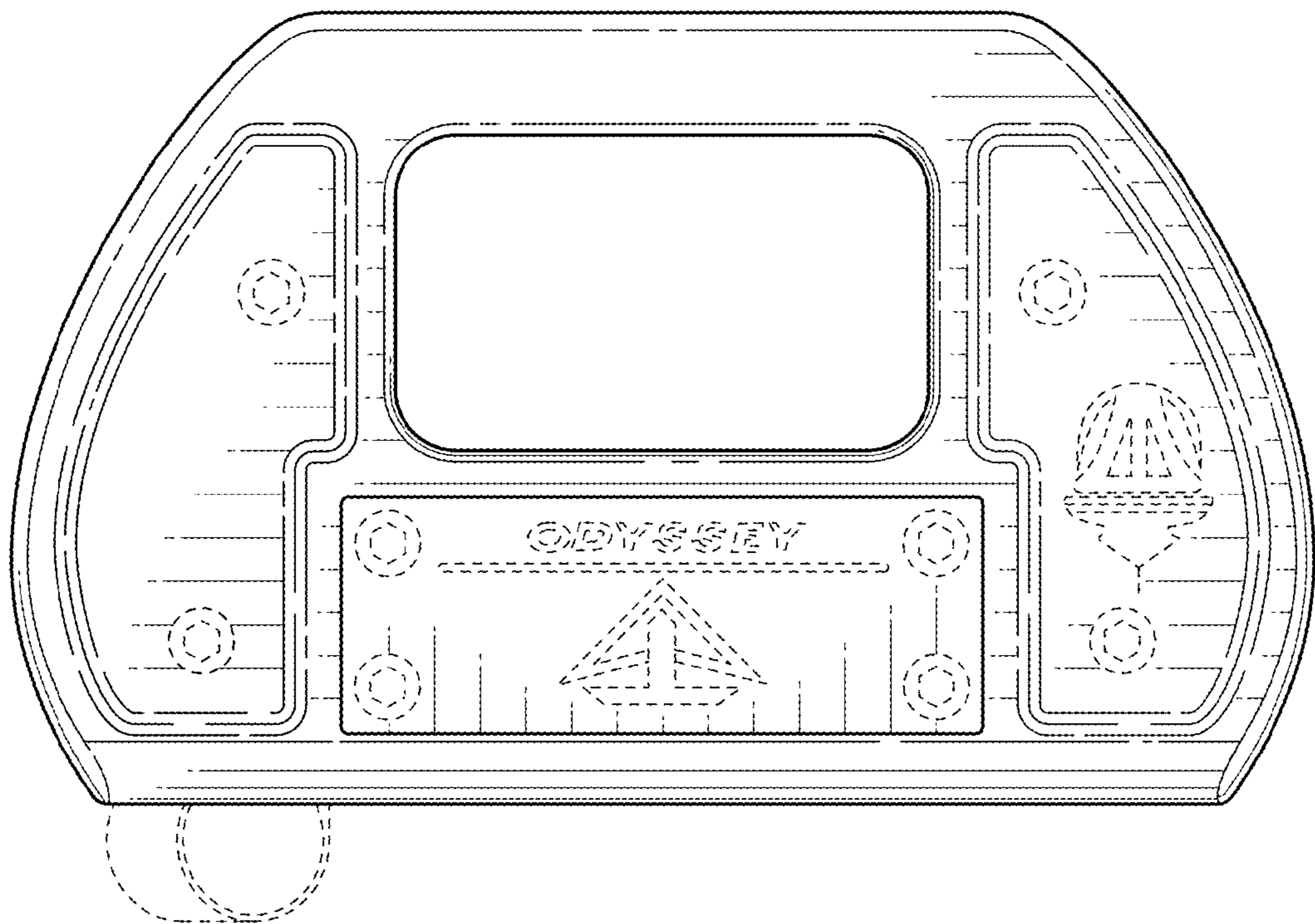


FIG. 7