



US00D912174S

(12) **United States Design Patent** (10) **Patent No.:** **US D912,174 S**
Toulon et al. (45) **Date of Patent:** **** Mar. 2, 2021**

(54) **PUTTER HEAD**

(71) Applicant: **Callaway Golf Company**, Carlsbad, CA (US)

(72) Inventors: **Sean Toulon**, Vista, CA (US); **Joseph Edward Toulon**, San Marcos, CA (US); **Patrick Dawson**, San Diego, CA (US); **Anthony J. Toulon**, Carlsbad, CA (US); **Augustin W. Rollinson**, Solana Beach, CA (US)

(73) Assignee: **Callaway Golf Company**, Carlsbad, CA (US)

(**) Term: **15 Years**

(21) Appl. No.: **29/702,650**

(22) Filed: **Aug. 21, 2019**

(51) **LOC (13) Cl.** **21-02**

(52) **U.S. Cl.**
USPC **D21/743**

(58) **Field of Classification Search**
USPC D21/736-746, 759
CPC A63B 53/00; A63B 53/04; A63B 53/007;
A63B 53/065; A63B 53/0487; A63B
60/00; A63B 60/46
See application file for complete search history.

(56) **References Cited**

U.S. PATENT DOCUMENTS

D564,607 S * 3/2008 Oldknow D21/736
D568,954 S * 5/2008 Oldknow D21/759
D670,774 S * 11/2012 Seiff D21/736
D691,226 S * 10/2013 Hilton D21/746

D728,715 S * 5/2015 Cameron D21/736
D807,453 S * 1/2018 Serrano D21/743
D815,222 S * 4/2018 Serrano D21/743
D815,703 S * 4/2018 Schweigert D21/736
D820,924 S * 6/2018 Cameron D21/736
D820,925 S * 6/2018 Cameron D21/736
D832,381 S * 10/2018 Serrano D21/743
D844,722 S * 4/2019 Wang D21/736
D867,495 S * 11/2019 Cameron D21/736
D867,497 S * 11/2019 Broom D21/743
D867,498 S * 11/2019 Broom D21/743
D892,954 S * 8/2020 Clarke D21/736
D893,645 S * 8/2020 Serrano D21/743
D895,748 S * 9/2020 Rollinson D21/743

* cited by examiner

Primary Examiner — Mitchell I. Siegel
(74) *Attorney, Agent, or Firm* — Rebecca Hanovice;
Michael Catania; Sonia Lari

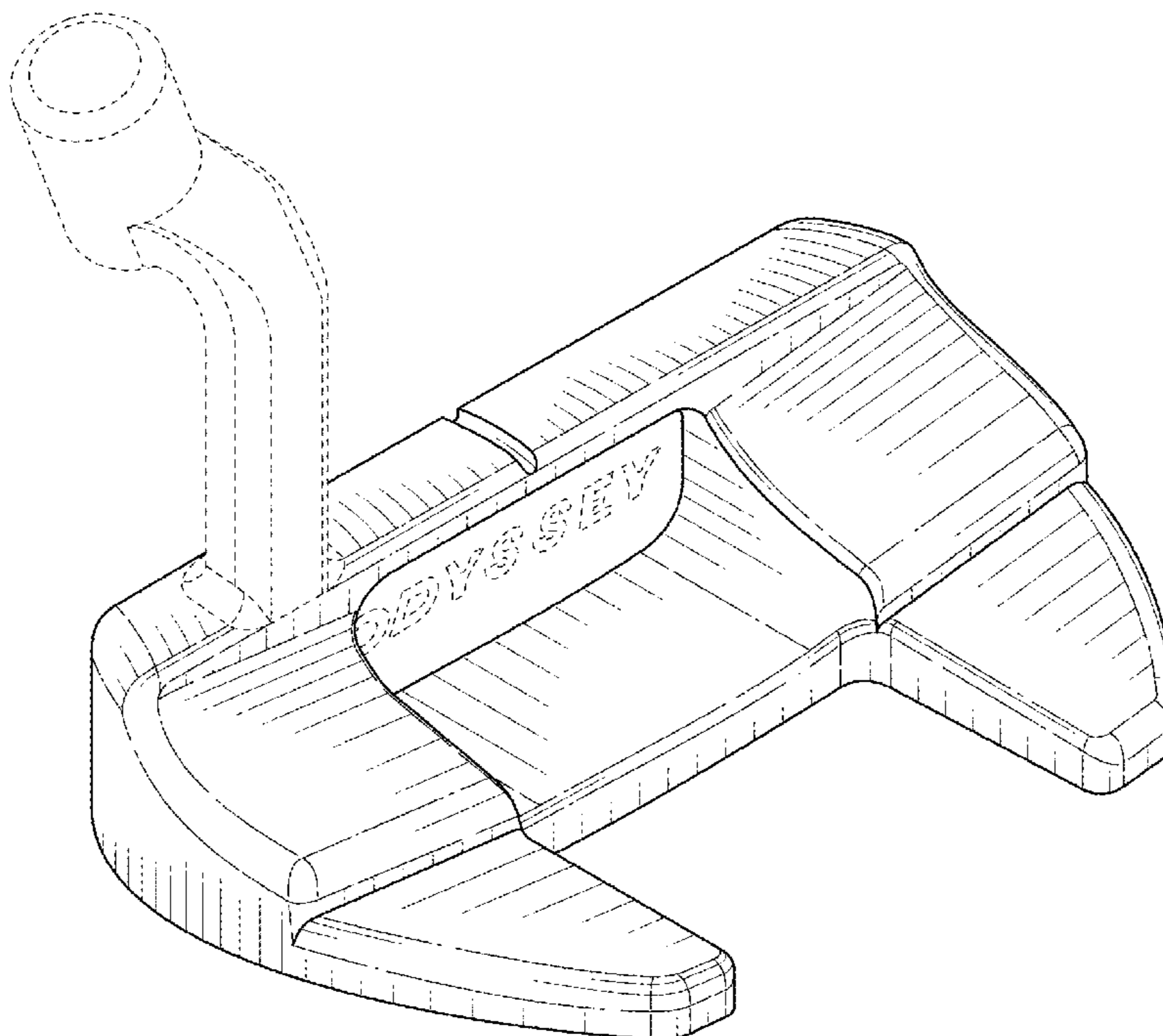
(57) **CLAIM**

The ornamental design for a putter head, as shown and described.

DESCRIPTION

FIG. 1 is a rear perspective view of the putter head claimed herein;
FIG. 2 is a rear elevational view thereof;
FIG. 3 is a front elevational view thereof;
FIG. 4 is a right side elevational view thereof;
FIG. 5 is a left side elevational view thereof;
FIG. 6 is a top plan view thereof; and,
FIG. 7 is a bottom plan view thereof.
The broken line shown on the drawing figures form no part of the claimed design.

1 Claim, 5 Drawing Sheets



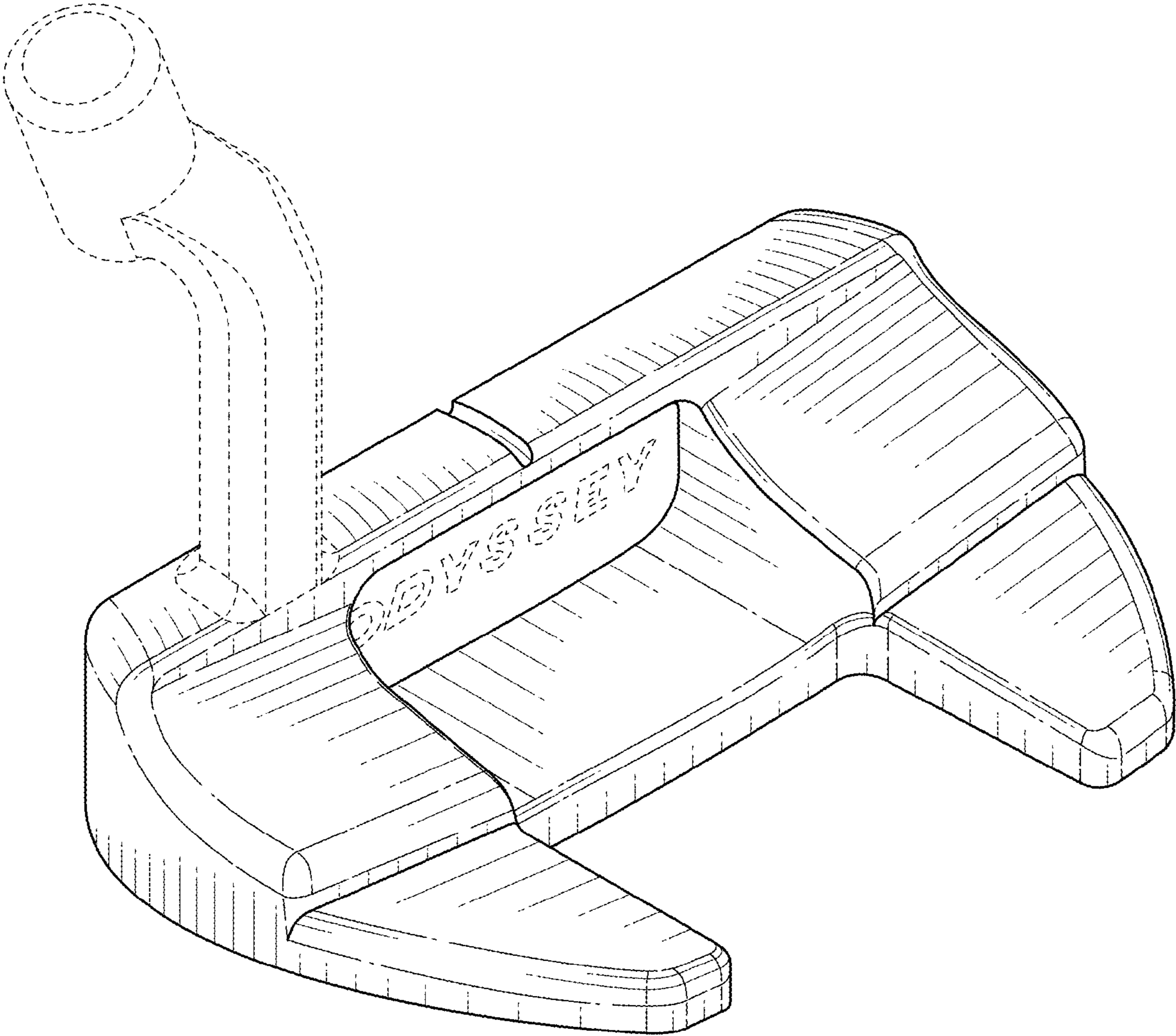


FIG. 1

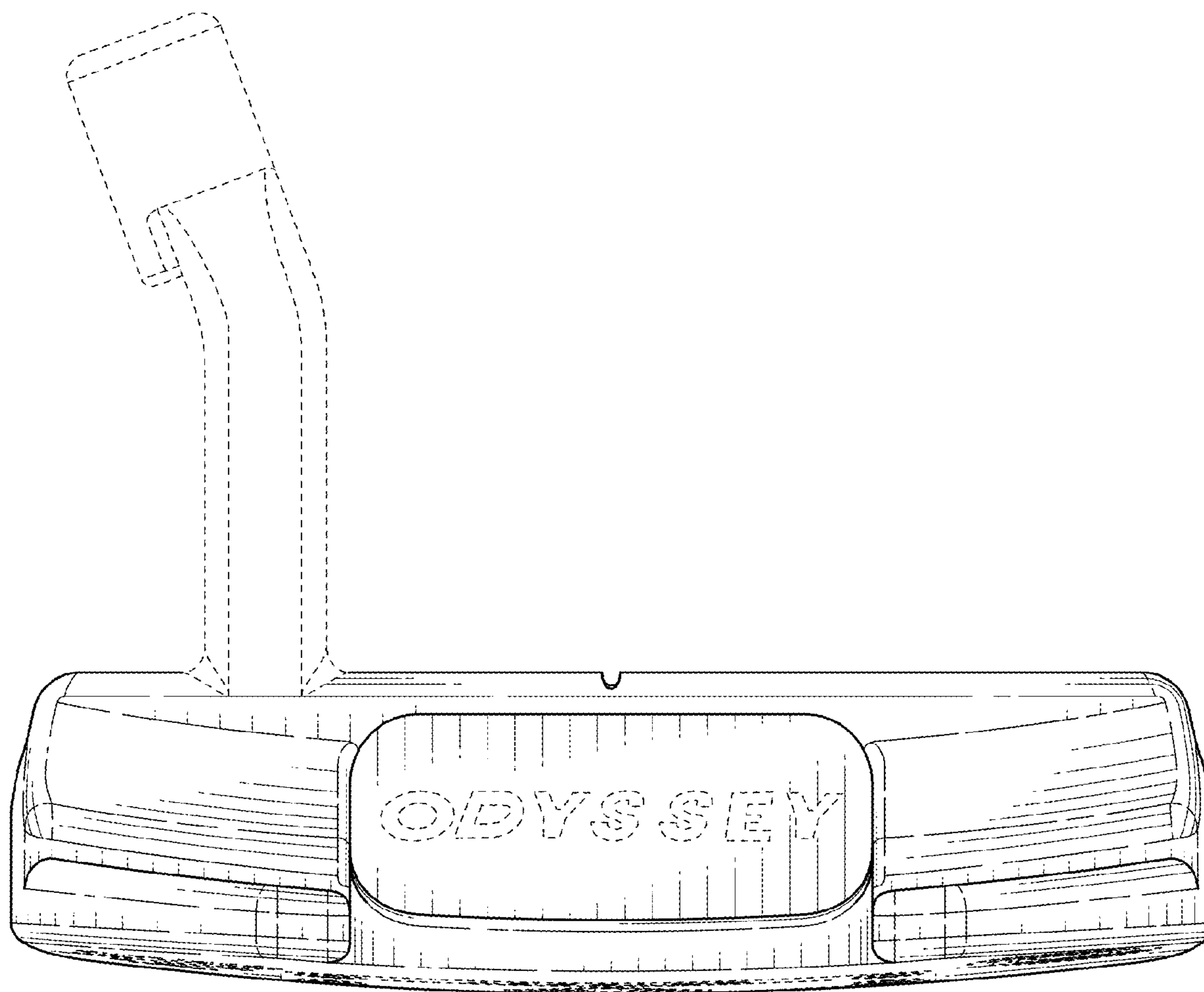


FIG. 2

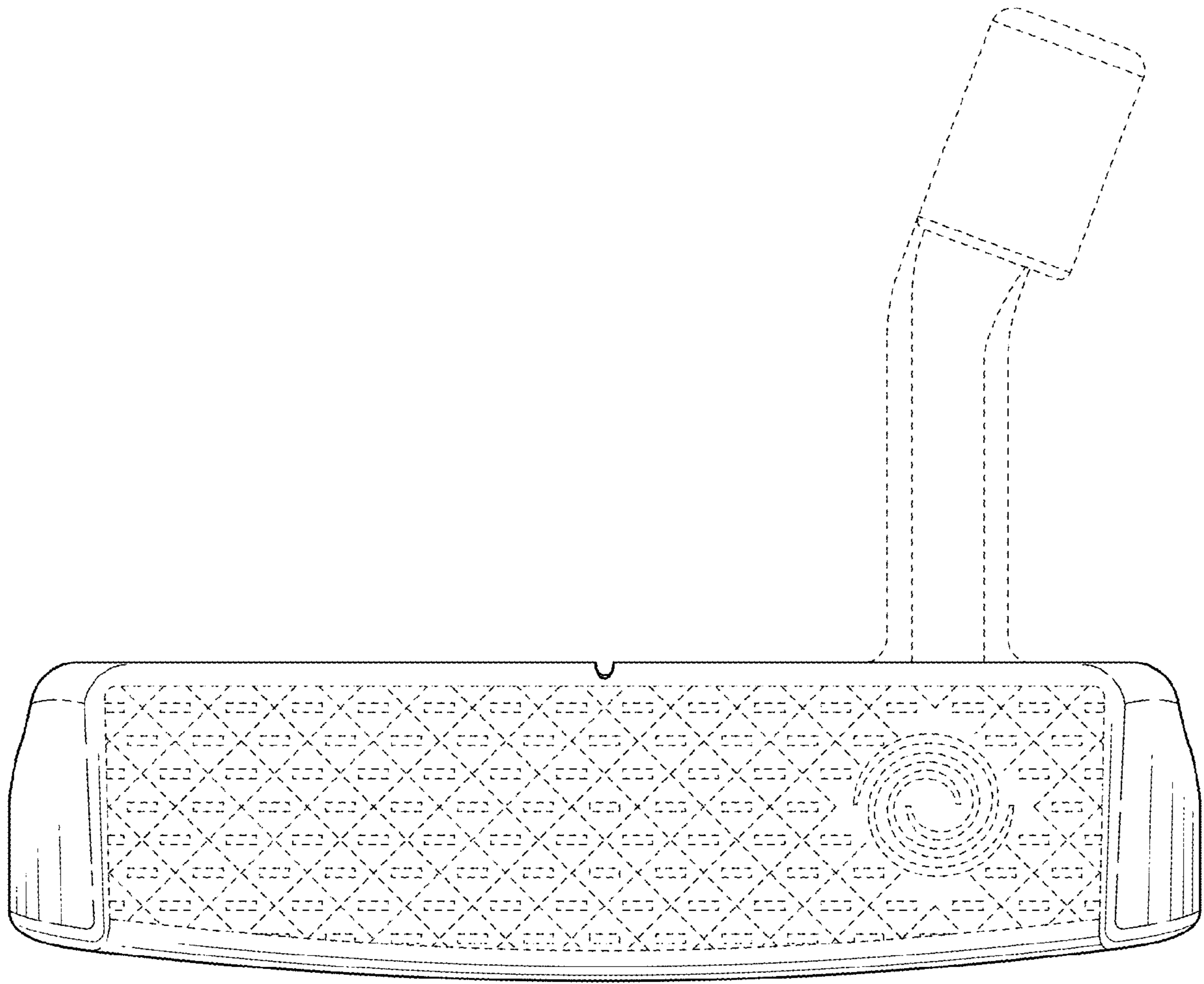


FIG. 3

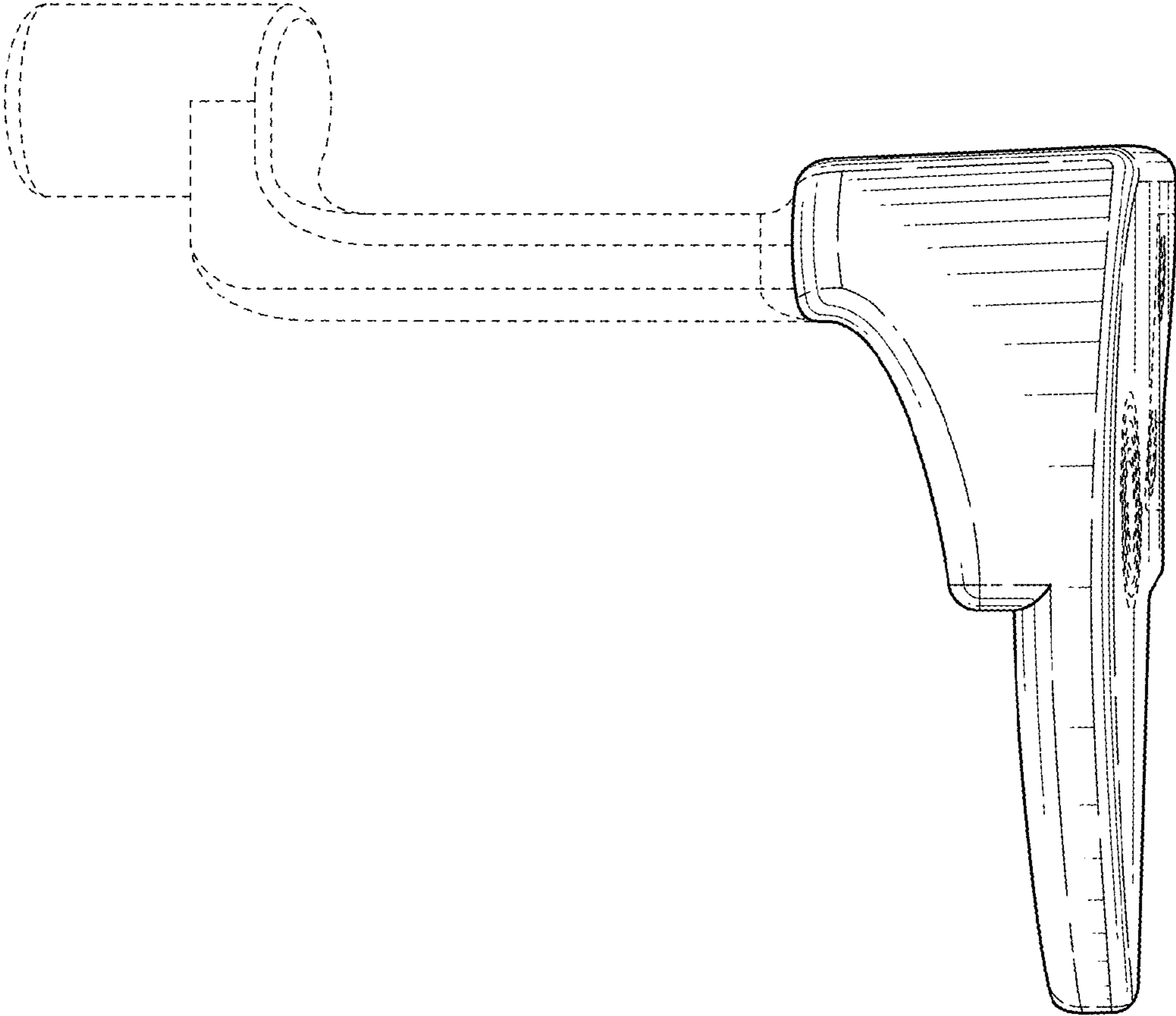


FIG. 5

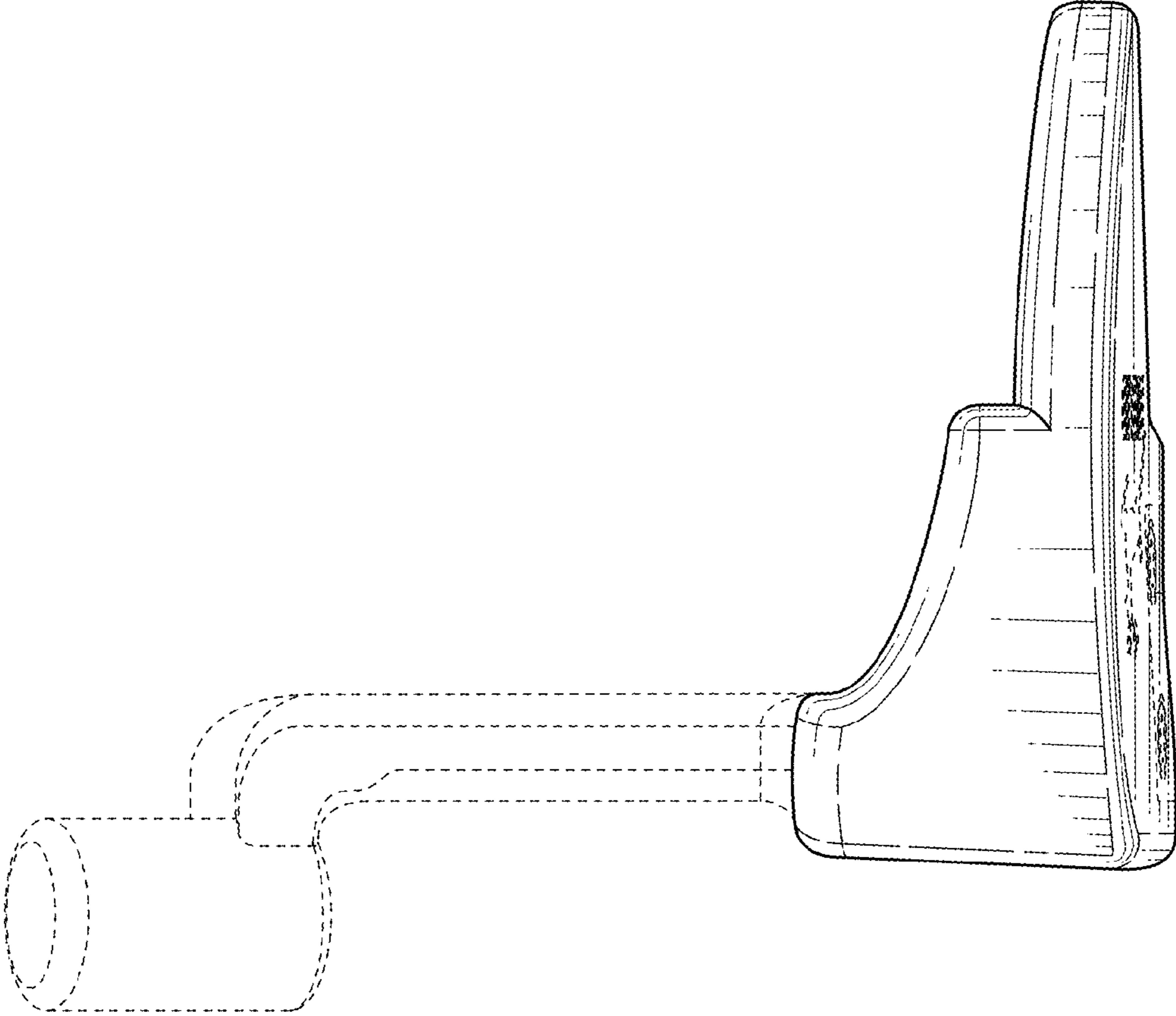


FIG. 4

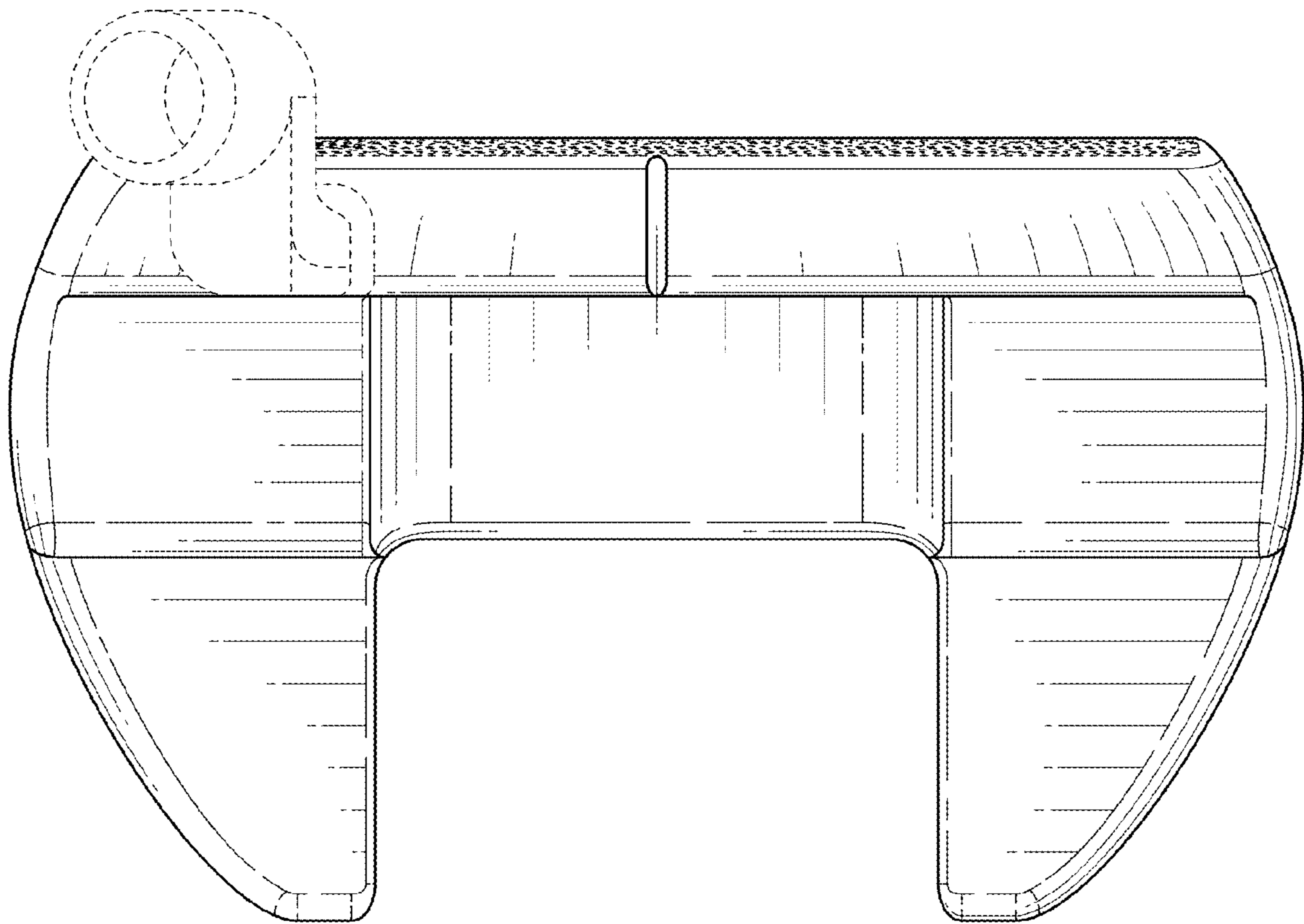


FIG. 6

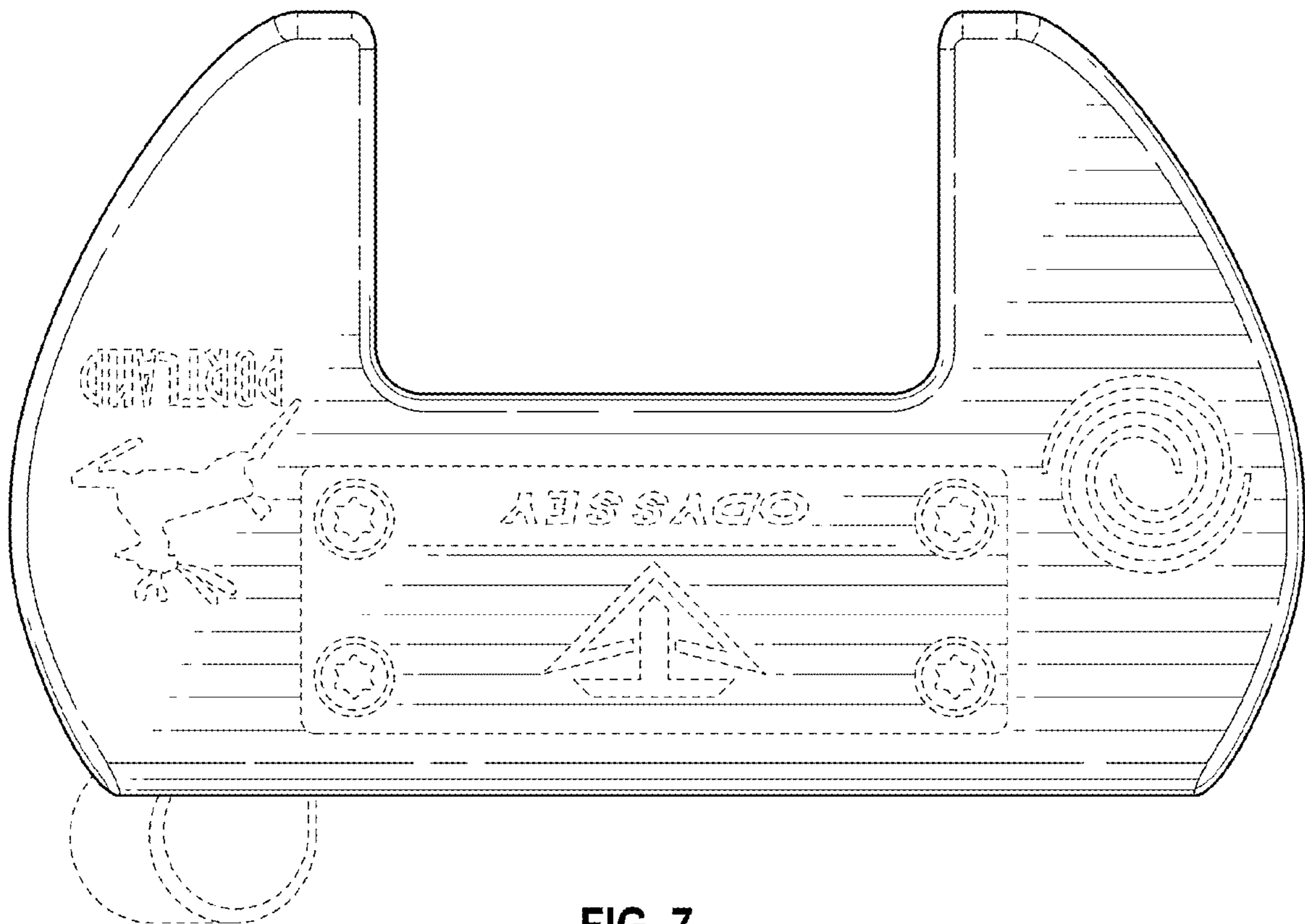


FIG. 7