



US00D912173S

(12) **United States Design Patent** (10) **Patent No.:** **US D912,173 S**
Toulon et al. (45) **Date of Patent:** **** Mar. 2, 2021**

- (54) **PUTTER HEAD**
- (71) Applicant: **Callaway Golf Company**, Carlsbad, CA (US)
- (72) Inventors: **Sean Toulon**, Vista, CA (US); **Augustin W. Rollinson**, Solana Beach, CA (US); **Joseph Edward Toulon**, San Marcos, CA (US); **Anthony J. Toulon**, Carlsbad, CA (US)
- (73) Assignee: **Callaway Golf Company**, Carlsbad, CA (US)
- (**) Term: **15 Years**
- (21) Appl. No.: **29/702,646**
- (22) Filed: **Aug. 21, 2019**
- (51) **LOC (13) Cl.** **21-02**
- (52) **U.S. Cl.**
USPC **D21/743**
- (58) **Field of Classification Search**
USPC D21/736-746, 759
CPC A63B 53/00; A63B 53/04; A63B 53/007; A63B 53/065; A63B 53/0487; A63B 60/00; A63B 60/46
See application file for complete search history.

| | | | | |
|-------------------|---------|-----------|-------|------------------------|
| D641,442 S * | 7/2011 | Rollinson | | D21/744 |
| D650,457 S * | 12/2011 | Rollinson | | D21/743 |
| D650,458 S * | 12/2011 | Rollinson | | D21/744 |
| D652,092 S * | 1/2012 | Rollinson | | D21/743 |
| D688,762 S * | 8/2013 | Hilton | | D21/736 |
| D690,378 S * | 9/2013 | Rollinson | | D21/743 |
| D733,233 S * | 6/2015 | Dolezel | | D21/742 |
| D777,268 S * | 1/2017 | Becktor | | D21/742 |
| D792,536 S * | 7/2017 | Wang | | D21/743 |
| D826,353 S * | 8/2018 | Cameron | | D21/736 |
| D835,218 S * | 12/2018 | Rollinson | | D21/743 |
| D845,411 S * | 4/2019 | Cameron | | D21/742 |
| 2015/0080148 A1 * | 3/2015 | Cameron | | A63B 53/007 473/340 |

* cited by examiner

Primary Examiner — Mitchell I. Siegel
(74) *Attorney, Agent, or Firm* — Rebecca Hanovice; Michael Catania; Sonia Lari

(57) **CLAIM**

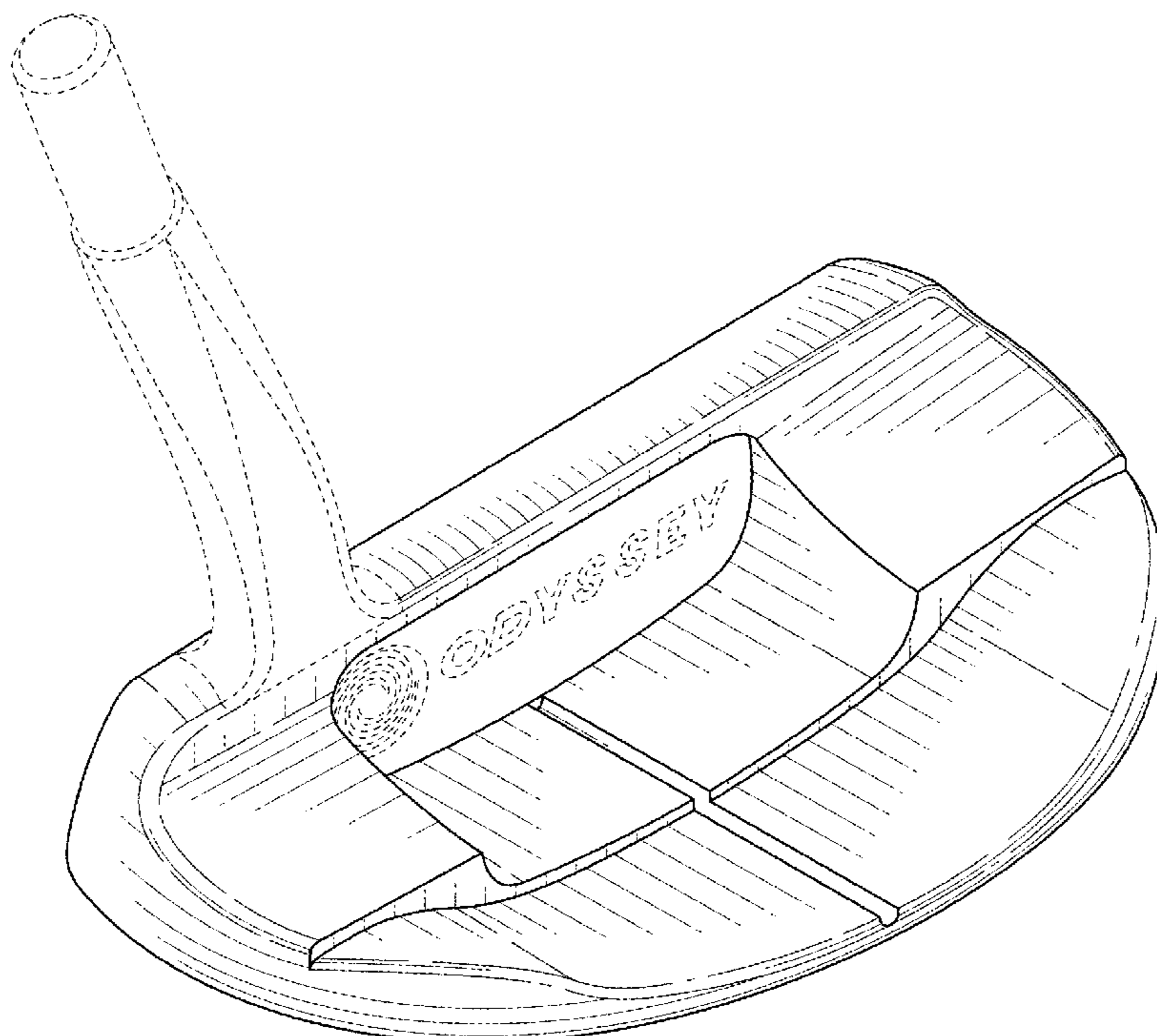
The ornamental design for a putter head, as shown and described.

DESCRIPTION

FIG. 1 is a rear perspective view of the putter head claimed herein;
FIG. 2 is a rear elevational view thereof;
FIG. 3 is a front elevational view thereof;
FIG. 4 is a left side elevational view thereof;
FIG. 5 is a right side elevational view thereof;
FIG. 6 is a top plan view thereof; and,
FIG. 7 is a bottom plan view thereof.
The broken line shown on the drawing figures form no part of the claimed design.

1 Claim, 5 Drawing Sheets

- (56) **References Cited**
U.S. PATENT DOCUMENTS
D449,085 S * 10/2001 Breier D21/744
D583,886 S * 12/2008 Cameron D21/743
D588,657 S * 3/2009 Hettinger D21/744
D641,057 S * 7/2011 Rollinson D21/744



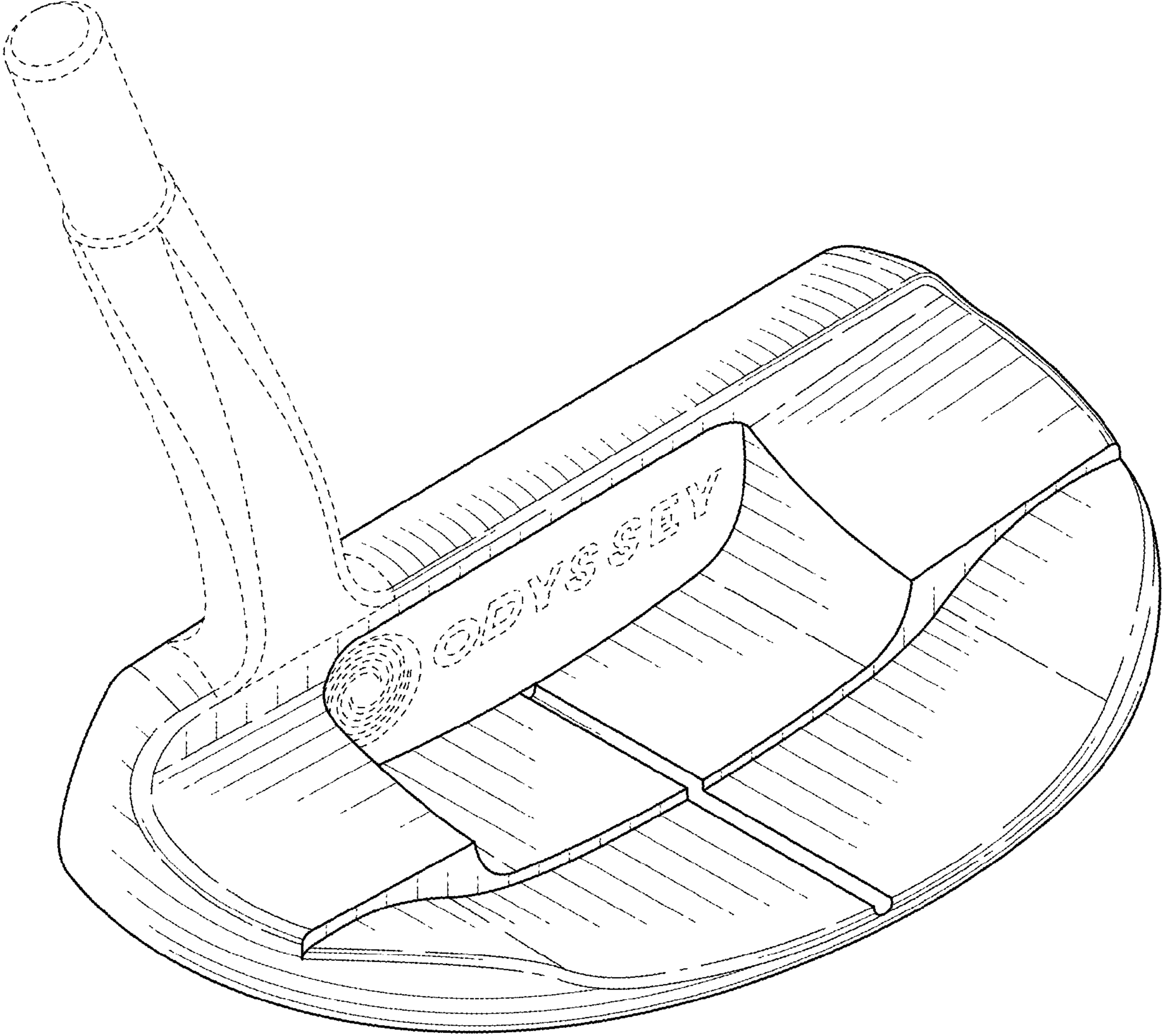


FIG. 1

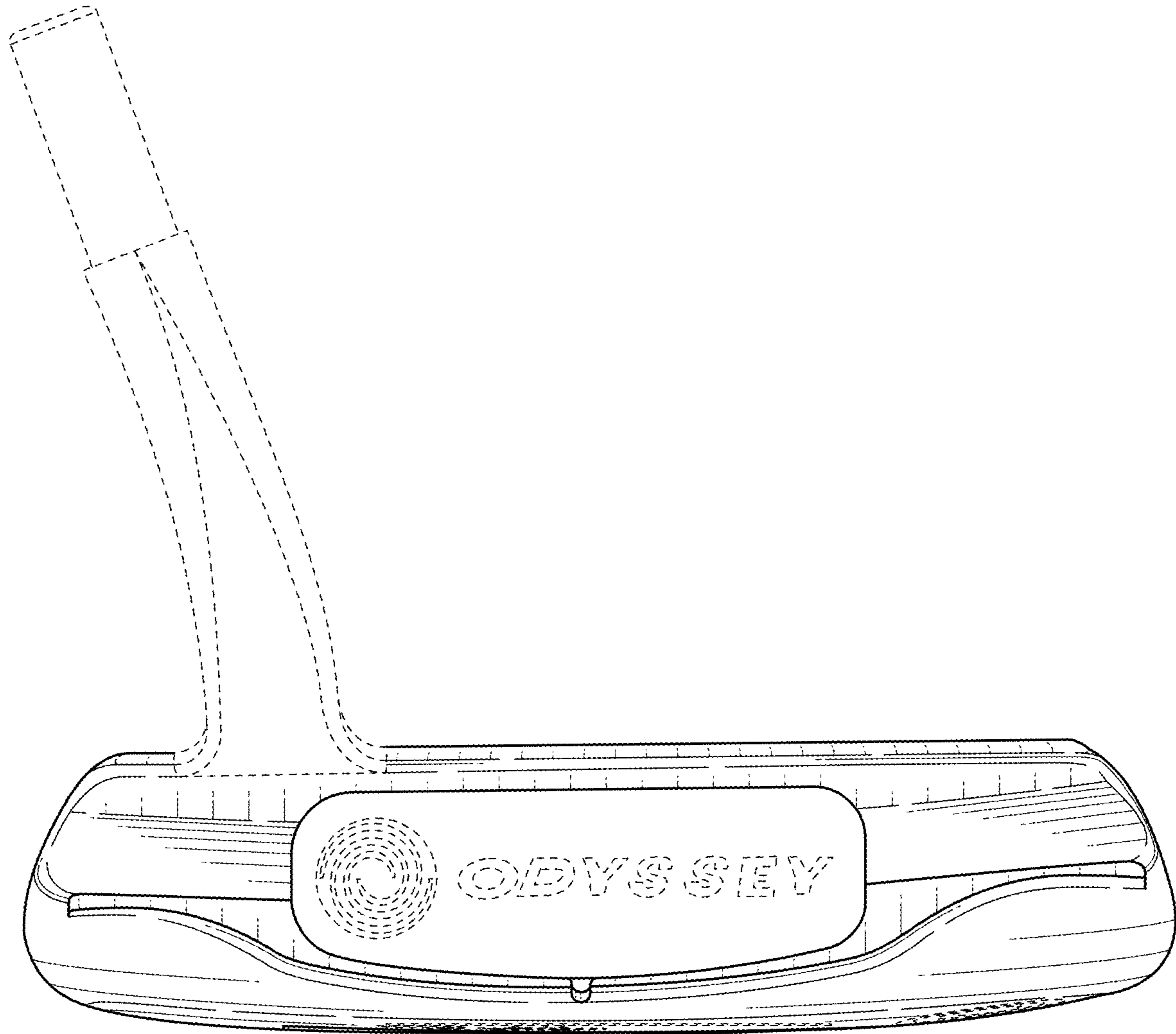


FIG. 2

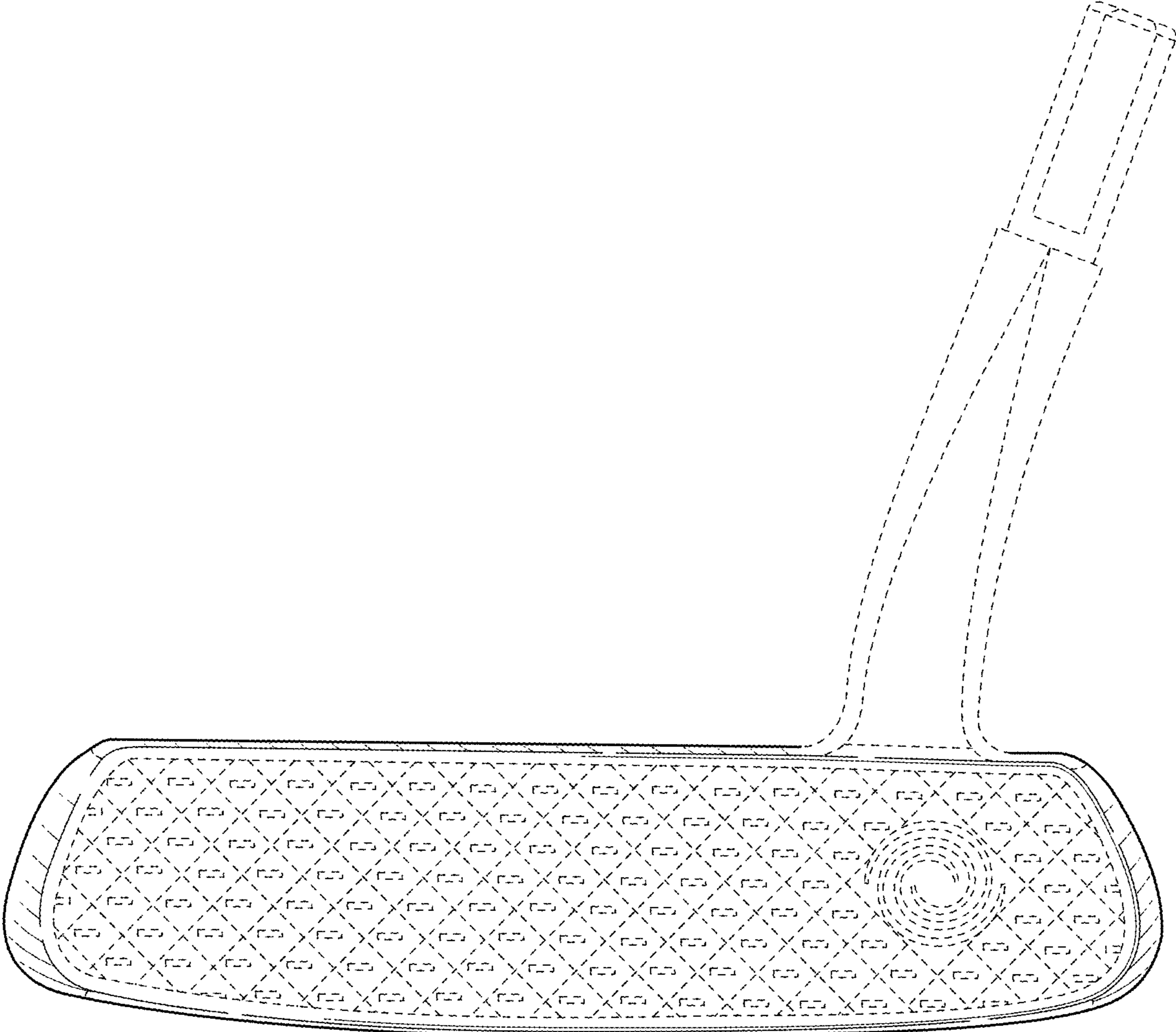


FIG. 3

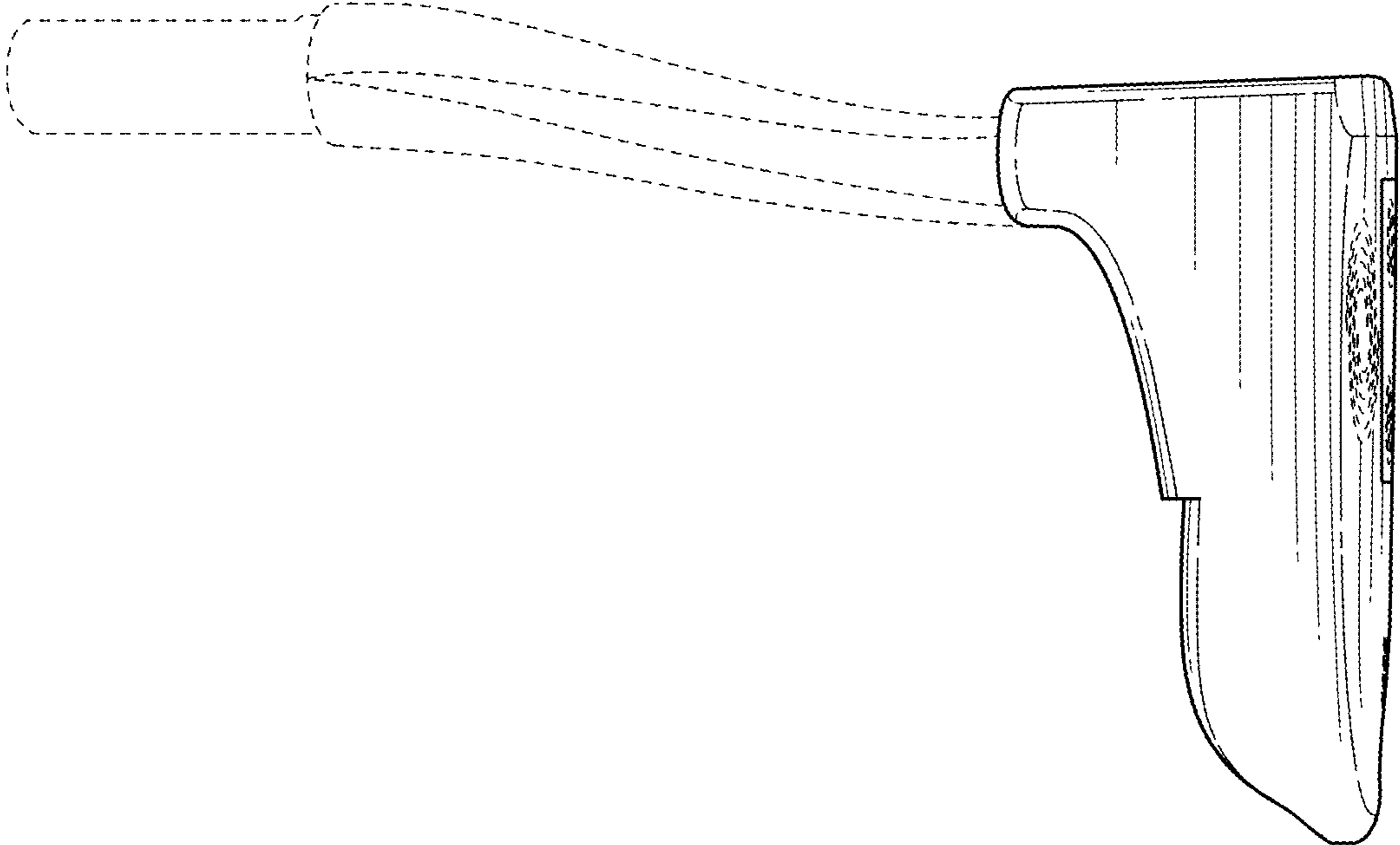


FIG. 5

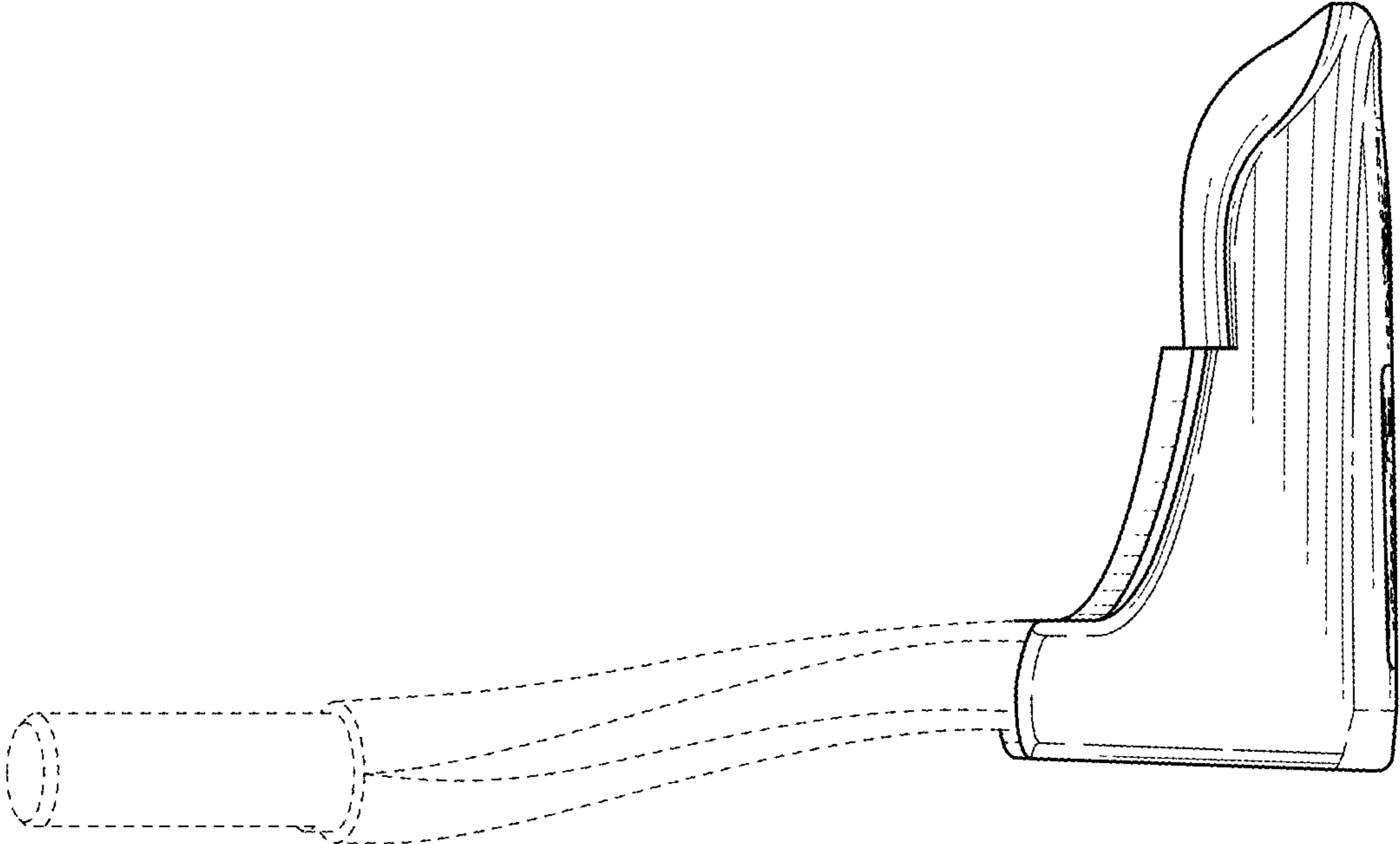


FIG. 4

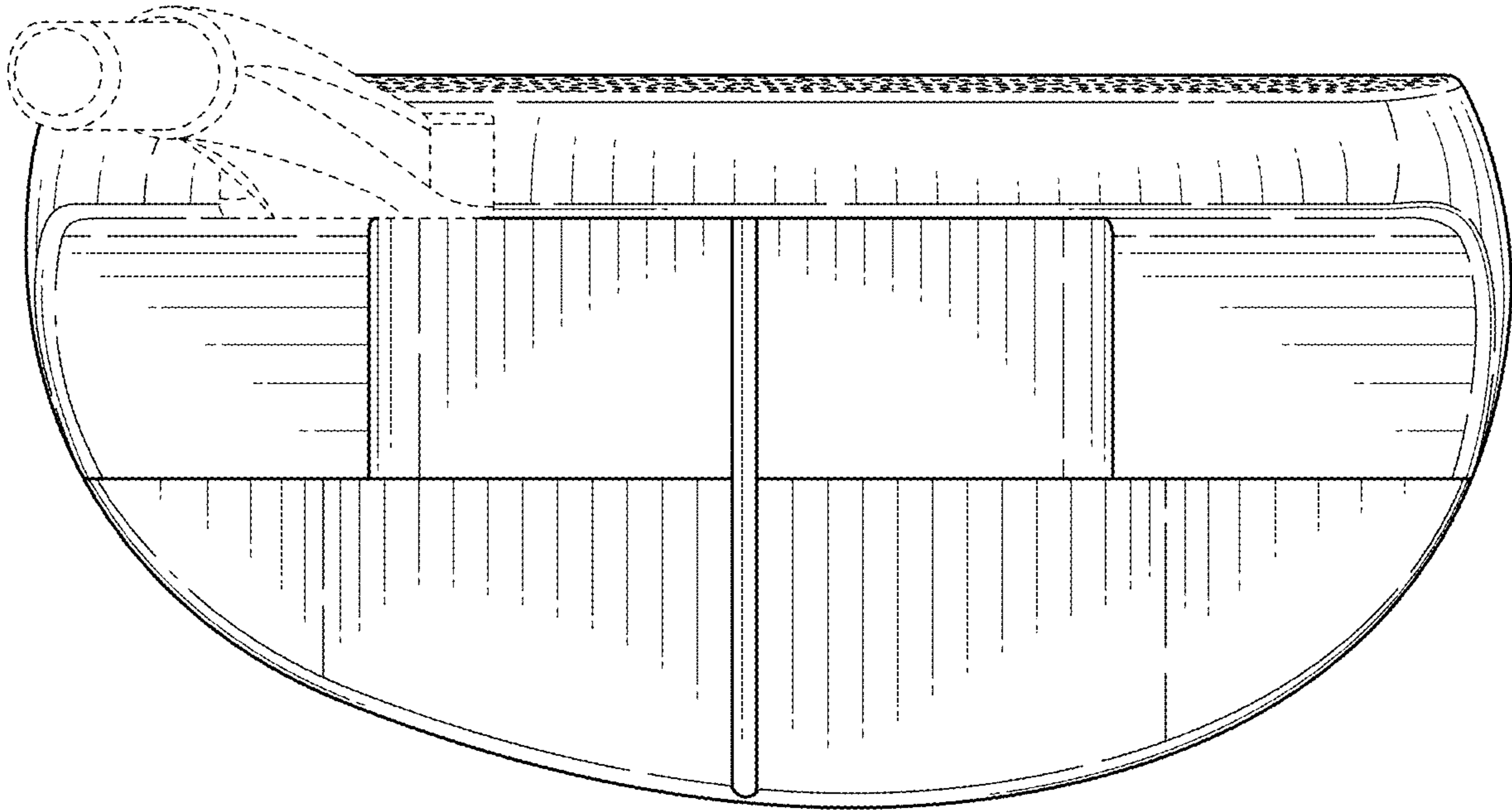


FIG. 6

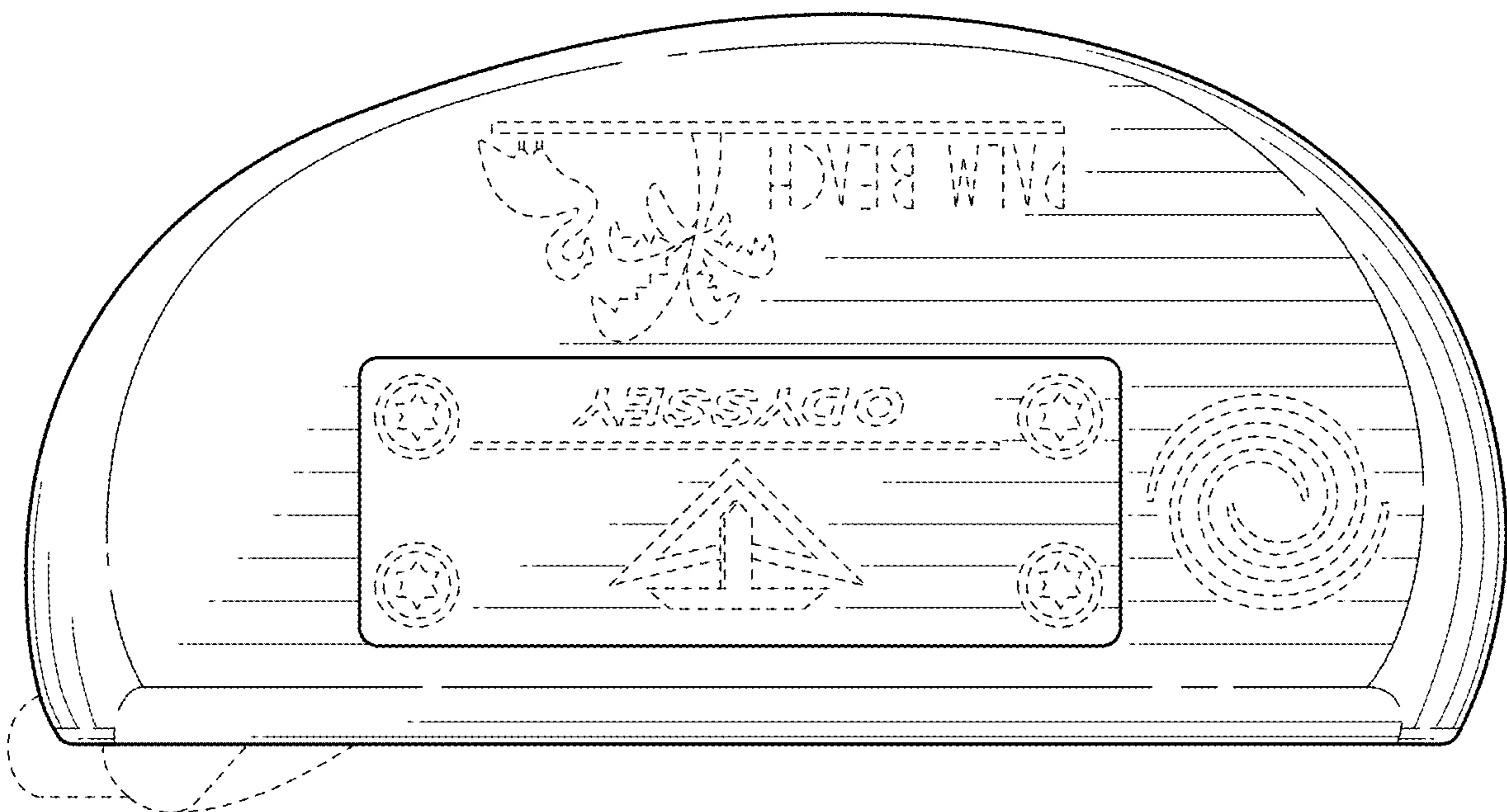


FIG. 7