



US00D912170S

(12) **United States Design Patent**
Dunahay

(10) **Patent No.:** **US D912,170 S**
(45) **Date of Patent:** **** Mar. 2, 2021**

(54) **WEIGHT RACK ATTACHMENT**

(71) Applicant: **Coulter Ventures, LLC.**, Columbus, OH (US)

(72) Inventor: **Nash Dunahay**, Gahanna, OH (US)

(73) Assignee: **Coulter Ventures, LLC.**, Columbus, OH (US)

(**) Term: **15 Years**

(21) Appl. No.: **29/690,338**

(22) Filed: **May 7, 2019**

(51) **LOC (13) Cl.** **21-02**

(52) **U.S. Cl.**
USPC **D21/694**

(58) **Field of Classification Search**
USPC D21/694, 686, 676, 673, 690, 681, 680,
D21/682, 688, 663, 679, 691, 674;
482/131, 38, 142, 130, 94, 145, 108, 104,
482/129, 120, 98; D12/203, 130, 406;
D24/188; D8/330; D6/536, 553
CPC A63B 21/0628; A63B 21/4035; A63B
21/078; A63B 21/075; A63B 21/063;
A63B 21/0728; A63B 21/072; A63B
23/1218;

(Continued)

(56) **References Cited**

U.S. PATENT DOCUMENTS

D276,716 S * 12/1984 Dignan D12/203
D292,388 S * 10/1987 Weiler D12/203
D369,389 S * 4/1996 Beyer D12/114

(Continued)

OTHER PUBLICATIONS

Rack Attachment by Rubicon dated no date given. Found online [Aug. 13, 2020] <http://www.rubiconsports.co.uk/Power-Lift-Products/rack-attachments.html>.*

(Continued)

Primary Examiner — Ryan Harvey

(74) *Attorney, Agent, or Firm* — Banner & Witcoff, Ltd.

(57) **CLAIM**

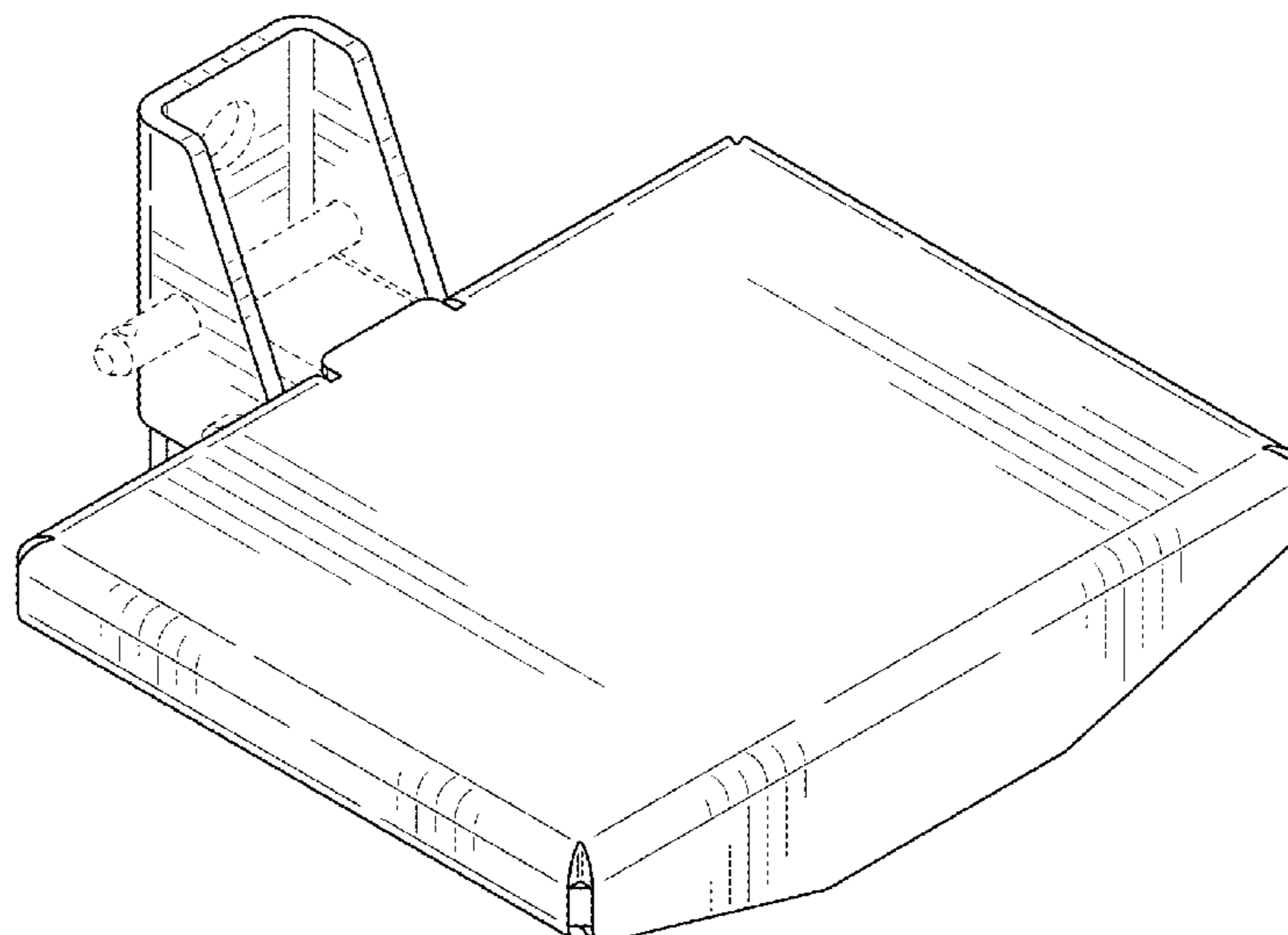
The ornamental design for a weight rack attachment, as shown and described.

DESCRIPTION

FIG. 1 is a top, front, left perspective view of a weight rack attachment showing my new design in a first position; FIG. 2 is a bottom, front, left perspective view thereof; FIG. 3 is a left side view thereof; FIG. 4 is a right side view thereof; FIG. 5 is a rear view thereof; FIG. 6 is a front view thereof; FIG. 7 is a top view thereof; FIG. 8 is a bottom view thereof; FIG. 9 is a top, front, left perspective view of a weight rack attachment showing my new design of FIGS. 1-8 in a second position; FIG. 10 is a bottom, front, left perspective view thereof; FIG. 11 is a left side view thereof; FIG. 12 is a right side view thereof; FIG. 13 is a rear view thereof; FIG. 14 is a front view thereof; FIG. 15 is a top view thereof; FIG. 16 is a bottom view thereof; FIG. 17 is a perspective view of a weight rack attachment showing my new design of FIGS. 1-16 in the first position in its exemplary environment; and, FIG. 18 is a perspective view of a weight rack attachment showing my new design of FIGS. 1-16 in the second position in its exemplary environment.

The broken lines immediately adjacent to the shaded areas define the bounds of the claimed design and form no part thereof. The broken lines depicting the remainder of the weight rack attachment and the exemplary environment show features that form no part of the claimed design.

1 Claim, 11 Drawing Sheets



(58) **Field of Classification Search**

CPC . A63B 23/1209; A63B 23/12; A63B 21/0783;
A63B 21/4017

See application file for complete search history.

D862,340 S * 10/2019 Le D12/203
D886,707 S * 6/2020 Stoneburner D12/406
2014/0087928 A1* 3/2014 Luedeka A63B 21/0552
482/130

(56)

References Cited

U.S. PATENT DOCUMENTS

D425,585 S * 5/2000 Wu D21/673
6,196,954 B1 * 3/2001 Chen A63B 22/203
482/131
D445,076 S * 7/2001 Weinerman D12/203
D449,264 S * 10/2001 Weinerman D12/203
D505,900 S * 6/2005 Oravec, III D12/203
D506,171 S * 6/2005 Oravec, III D12/203
D836,172 S * 12/2018 Kuka D21/686
D851,544 S * 6/2019 Stickles D12/130

OTHER PUBLICATIONS

Set up by Magnum dated no date given. Found online [Aug. 13, 2020] https://www.matrixfitness.com/en/strength/options-and-components/opt7-step-up-platform.*
SPR1000 by Bodysolid dated no date given. Found online [Aug. 13, 2020] https://www.bodysolid.com/home/spr1000/commerical_power_rack#gallery1-18.*
Titan by Garage Gym Reviews dated no date given. Found online [Aug. 13, 2020] https://www.garagegymreviews.com/titan-mounted-step-up-platform.*
Product Listing for Rogue Westside Bench 2.0, from <https://web.archive.org/web/20170520163553/http://www.roguefitness.com/rogue-westside-bench-2-0>, dated May 20, 2017.

* cited by examiner

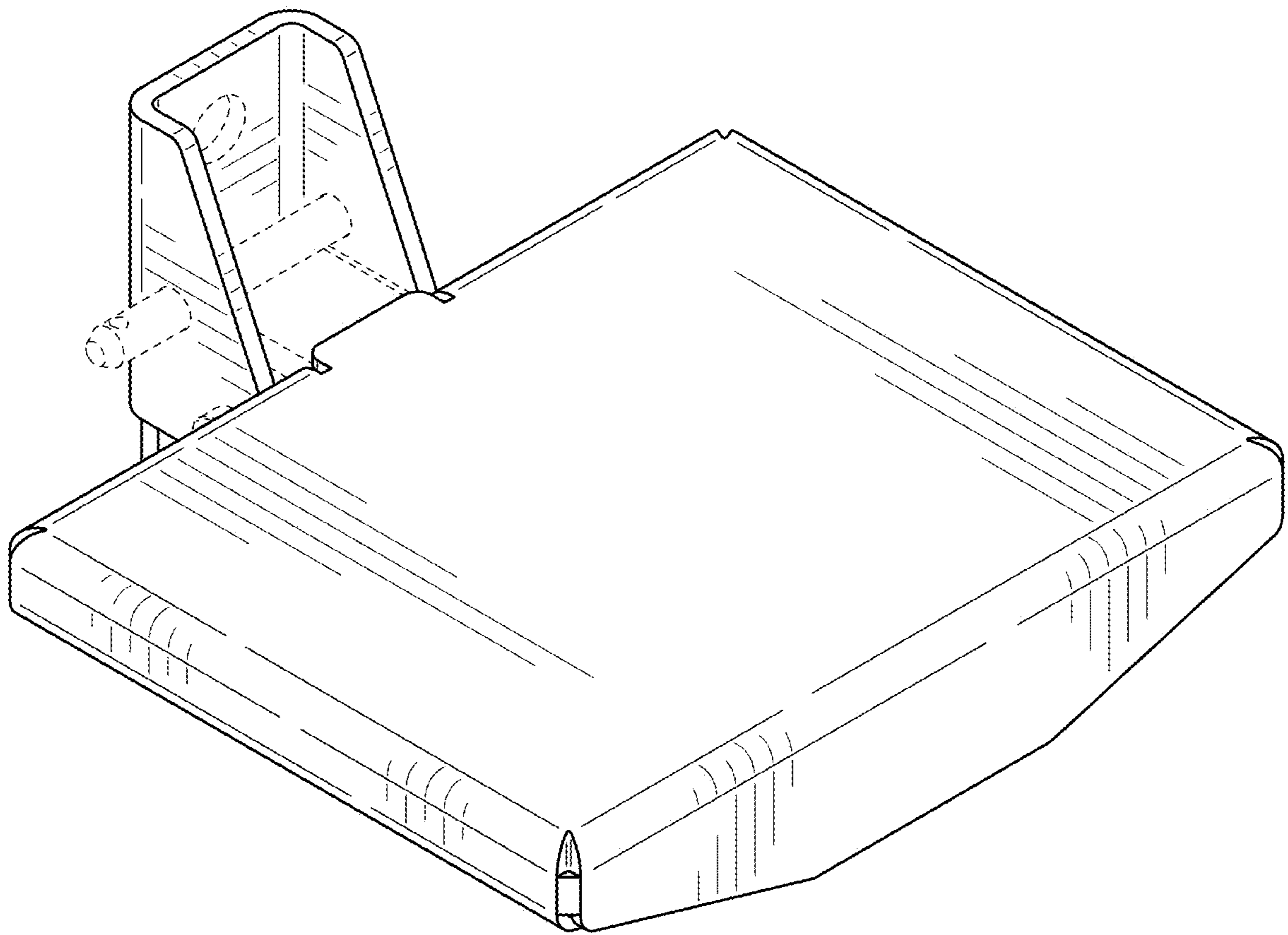


FIG. 1

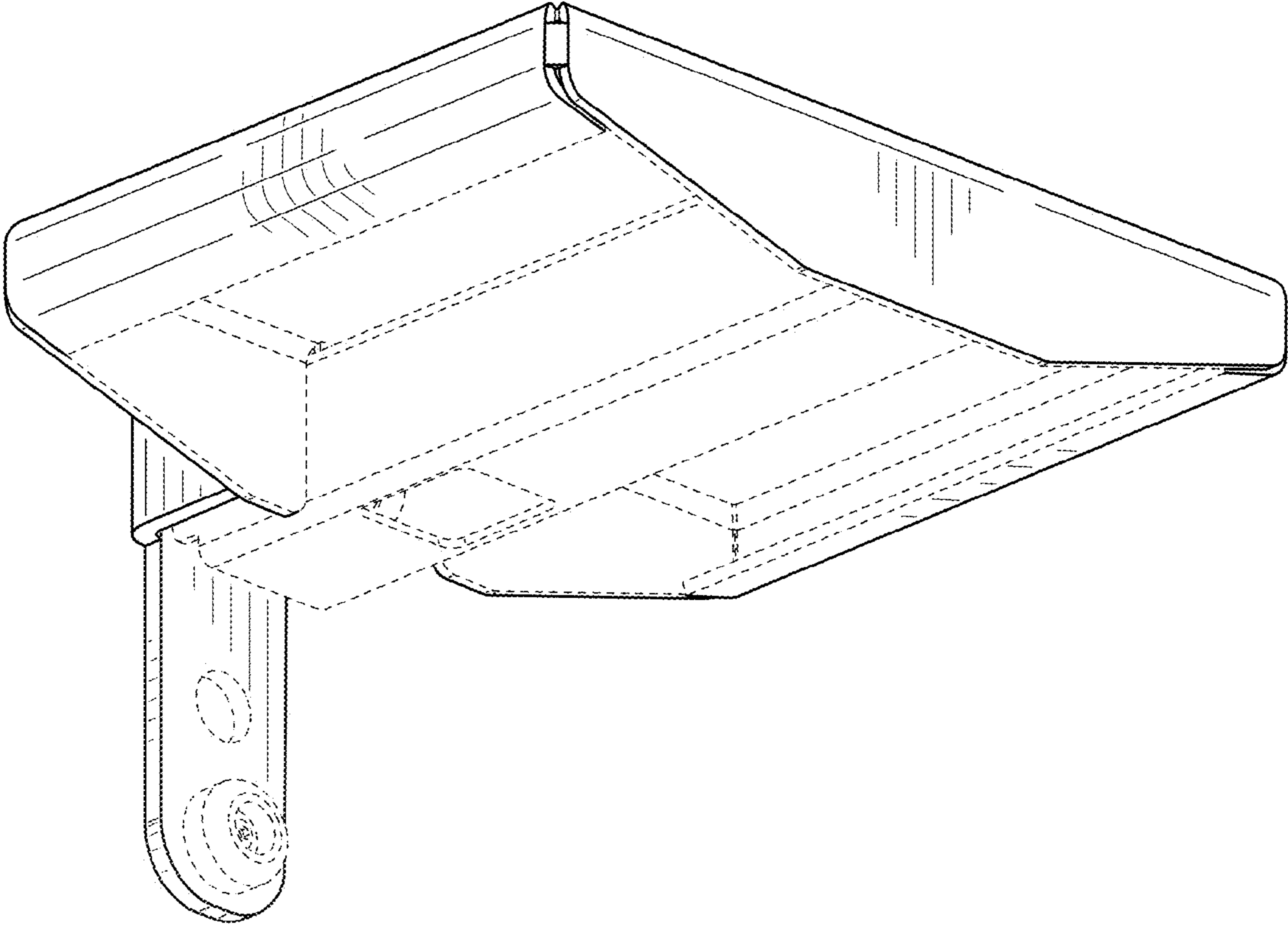


FIG. 2

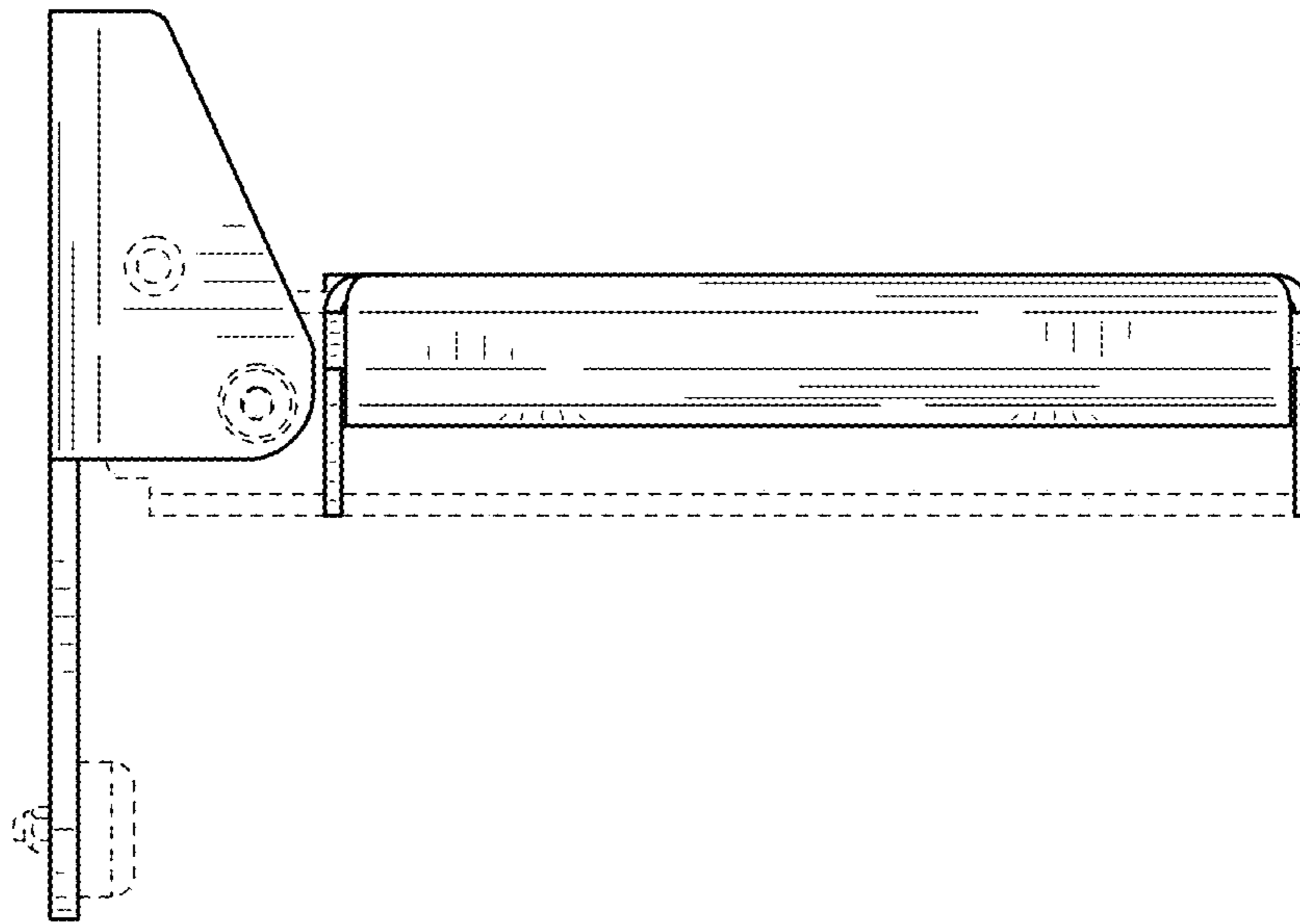


FIG. 3

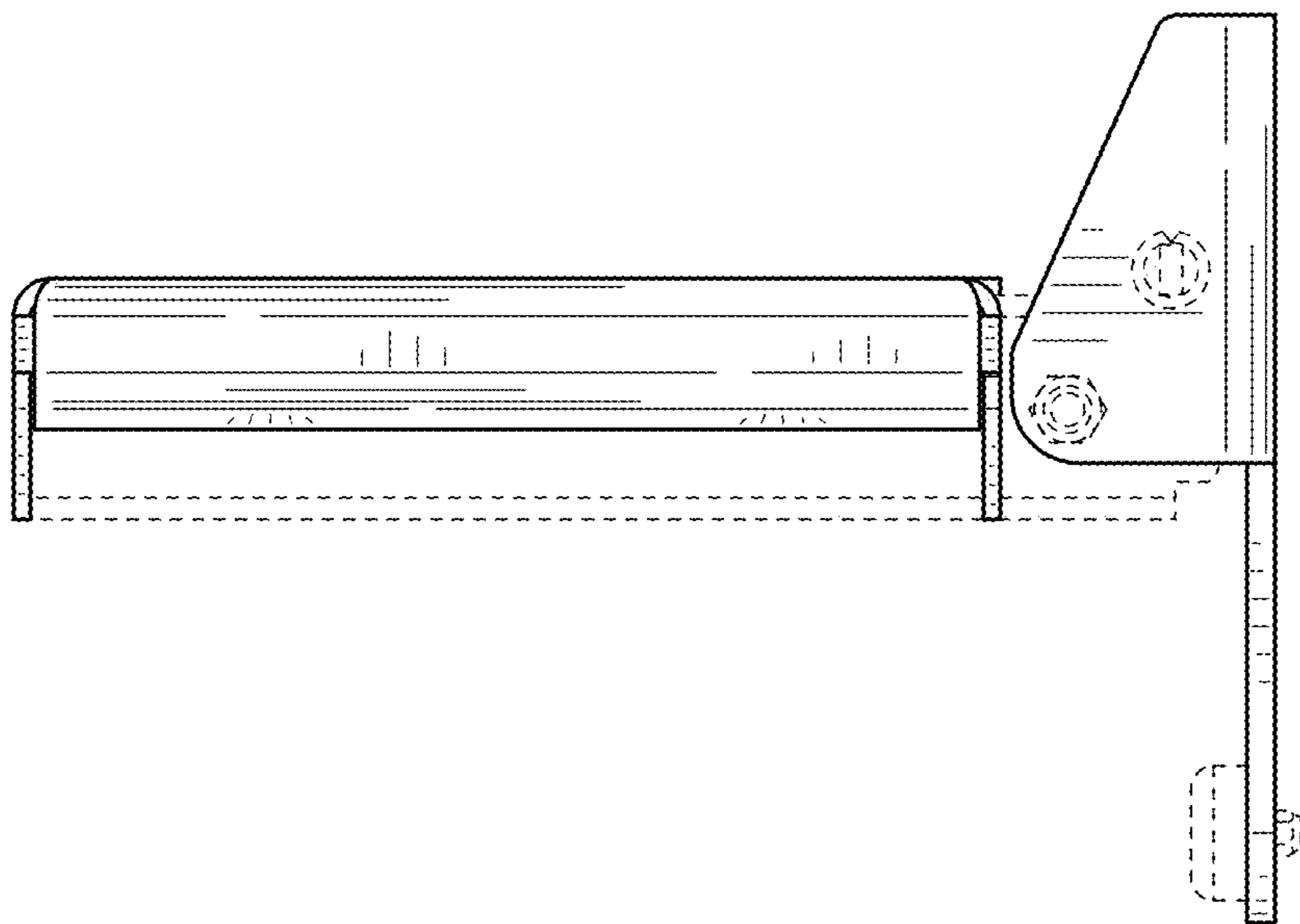


FIG. 4

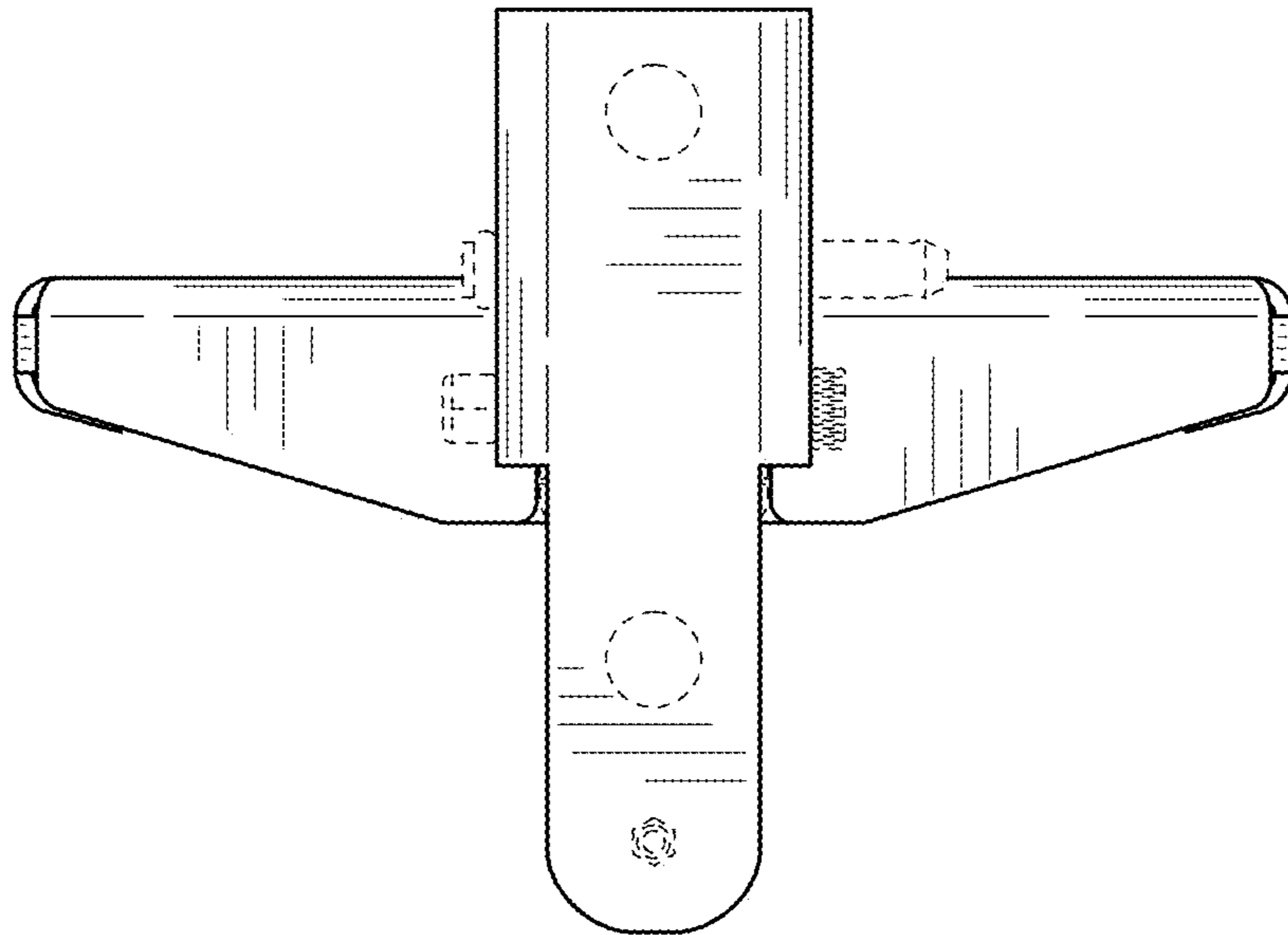


FIG. 5

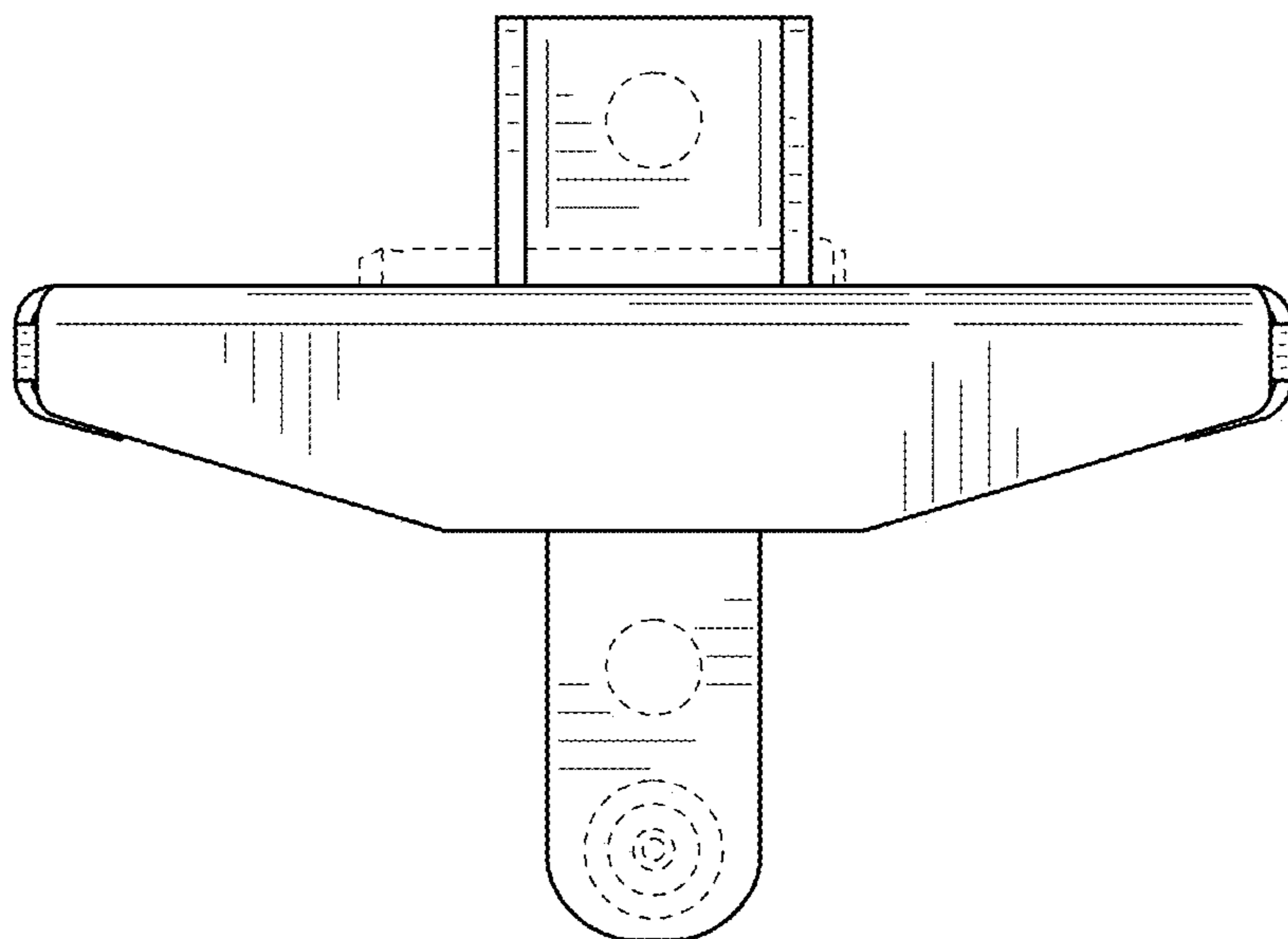


FIG. 6

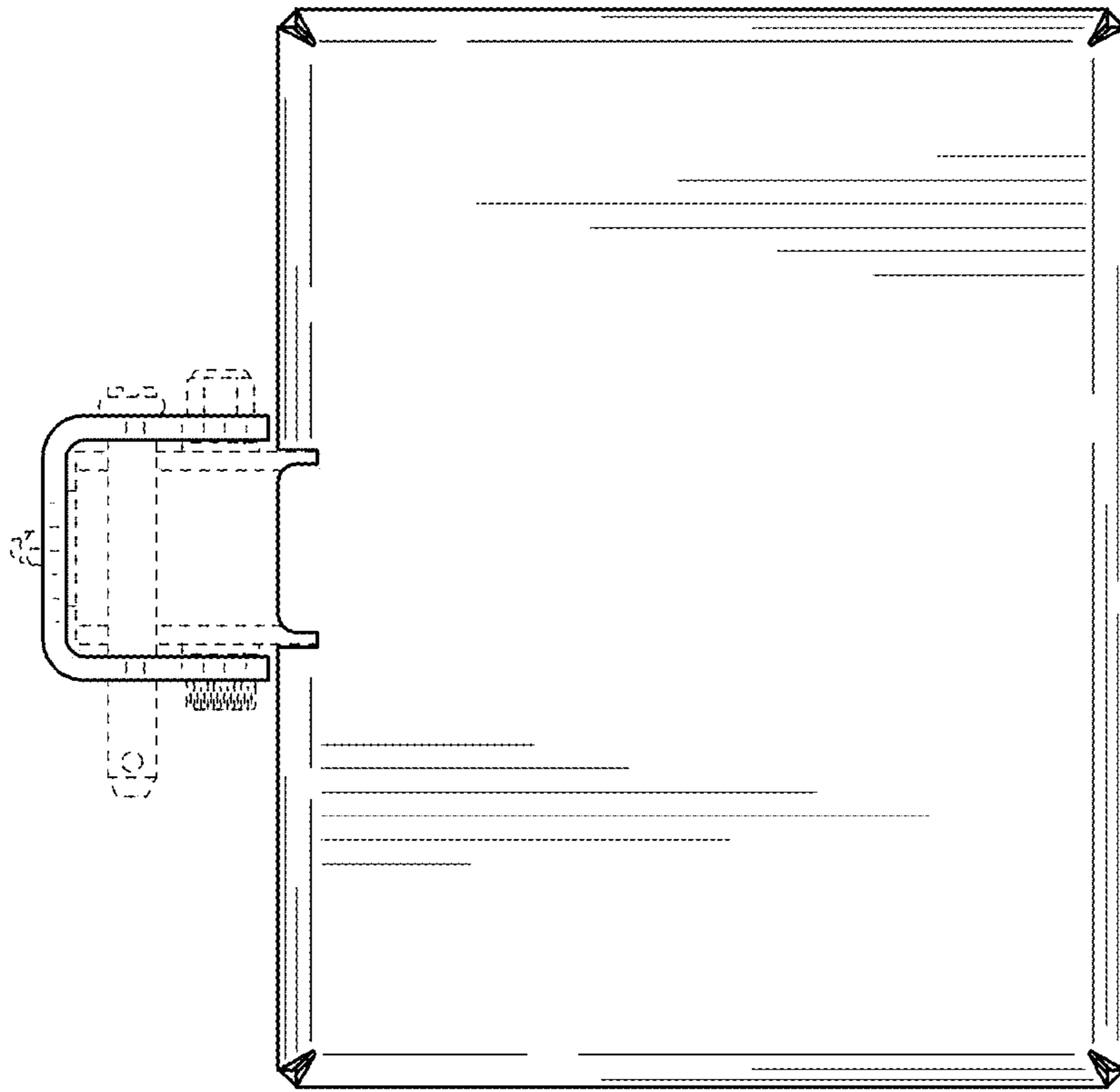


FIG. 7

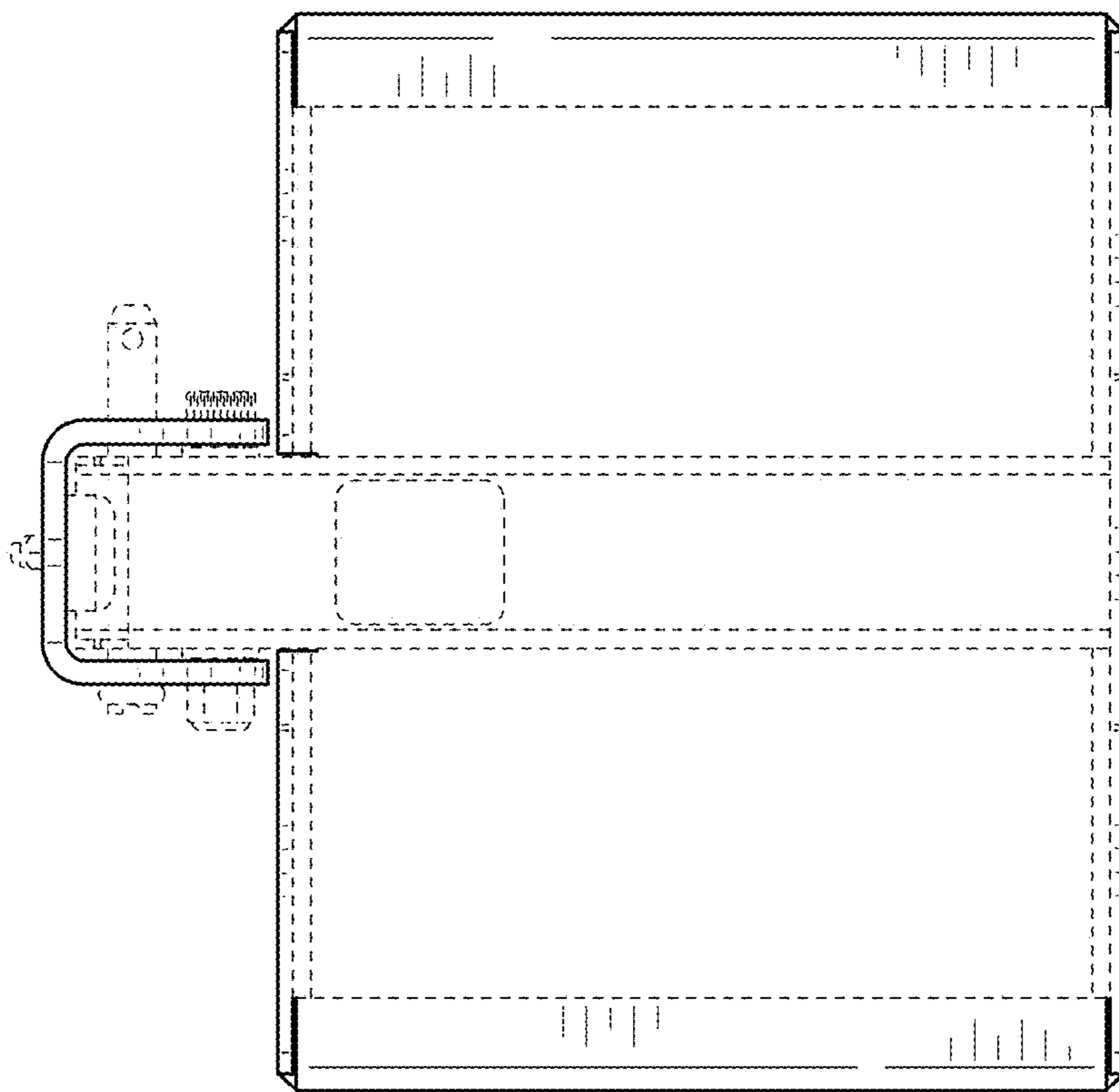


FIG. 8

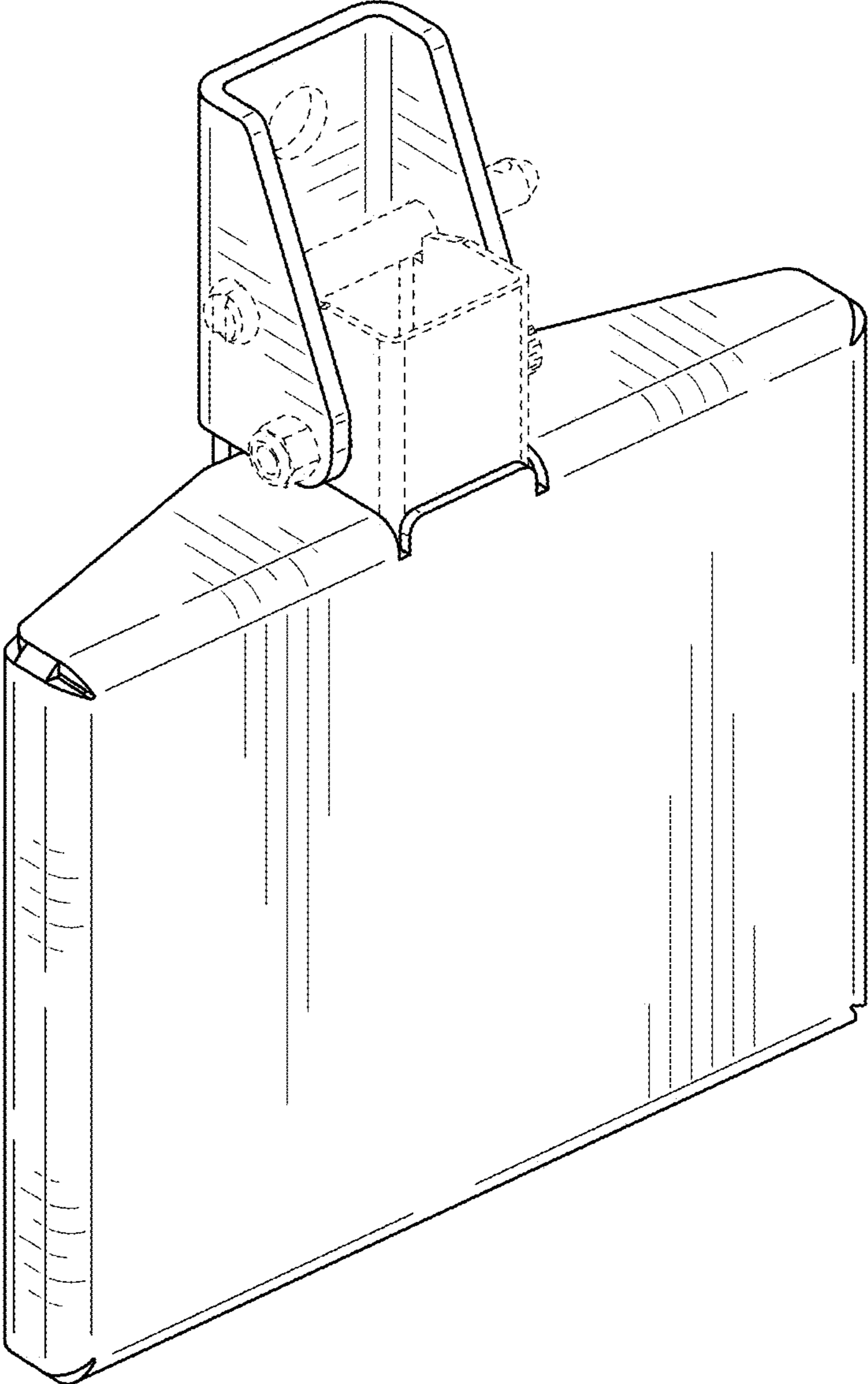


FIG. 9

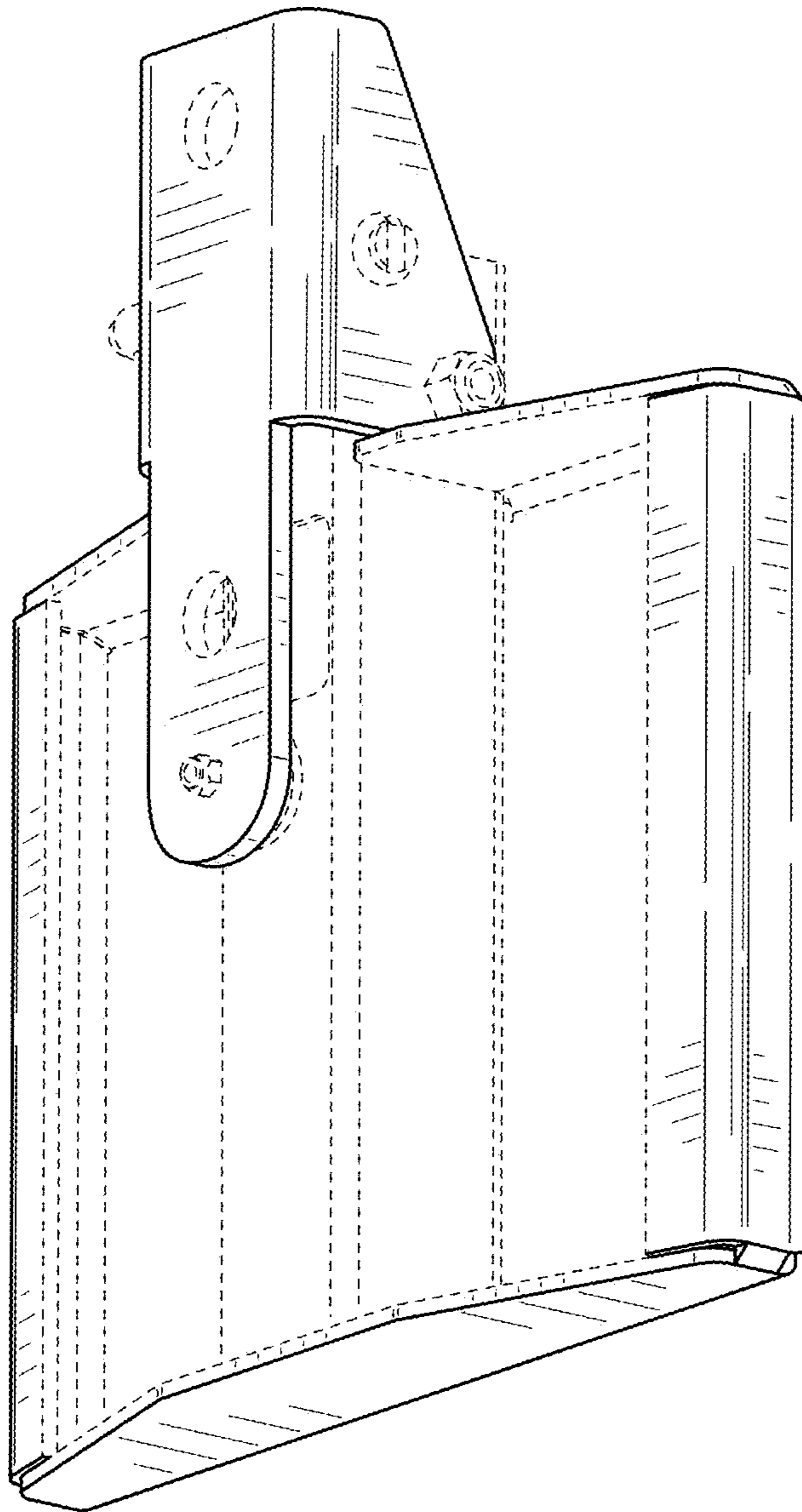


FIG. 10

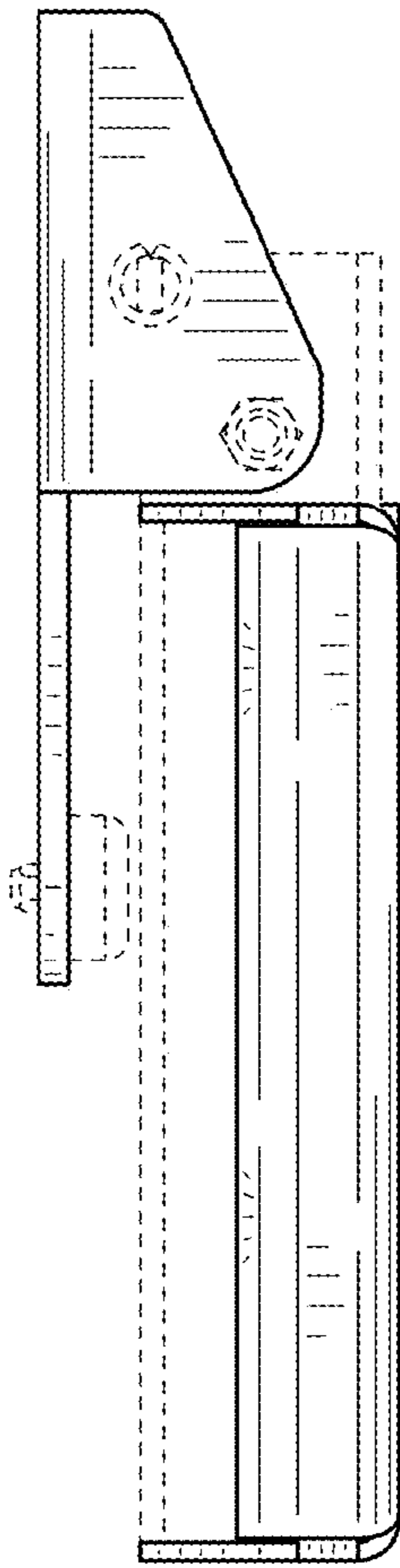


FIG. 11

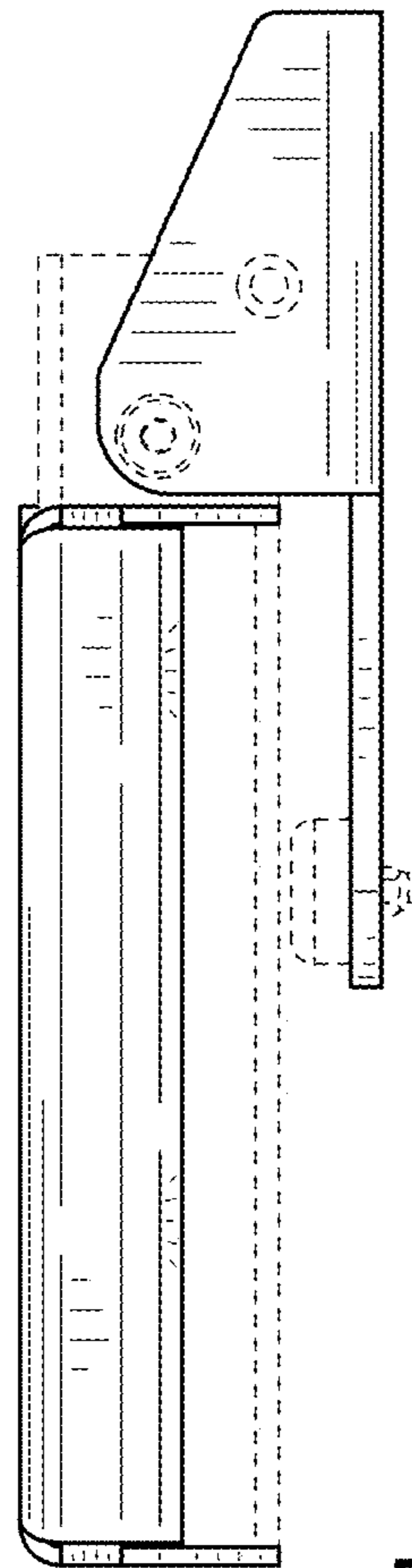


FIG. 12

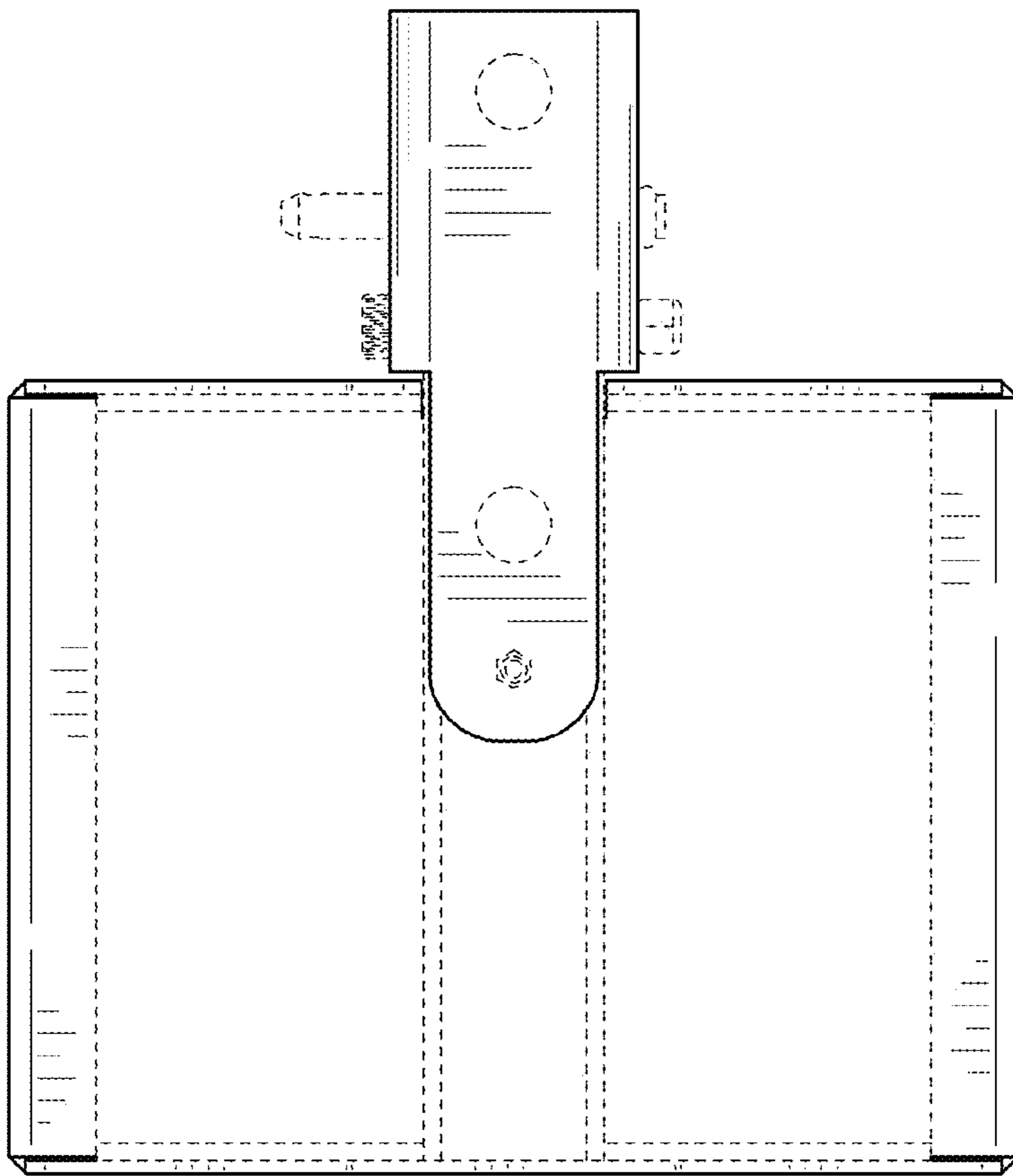


FIG. 13

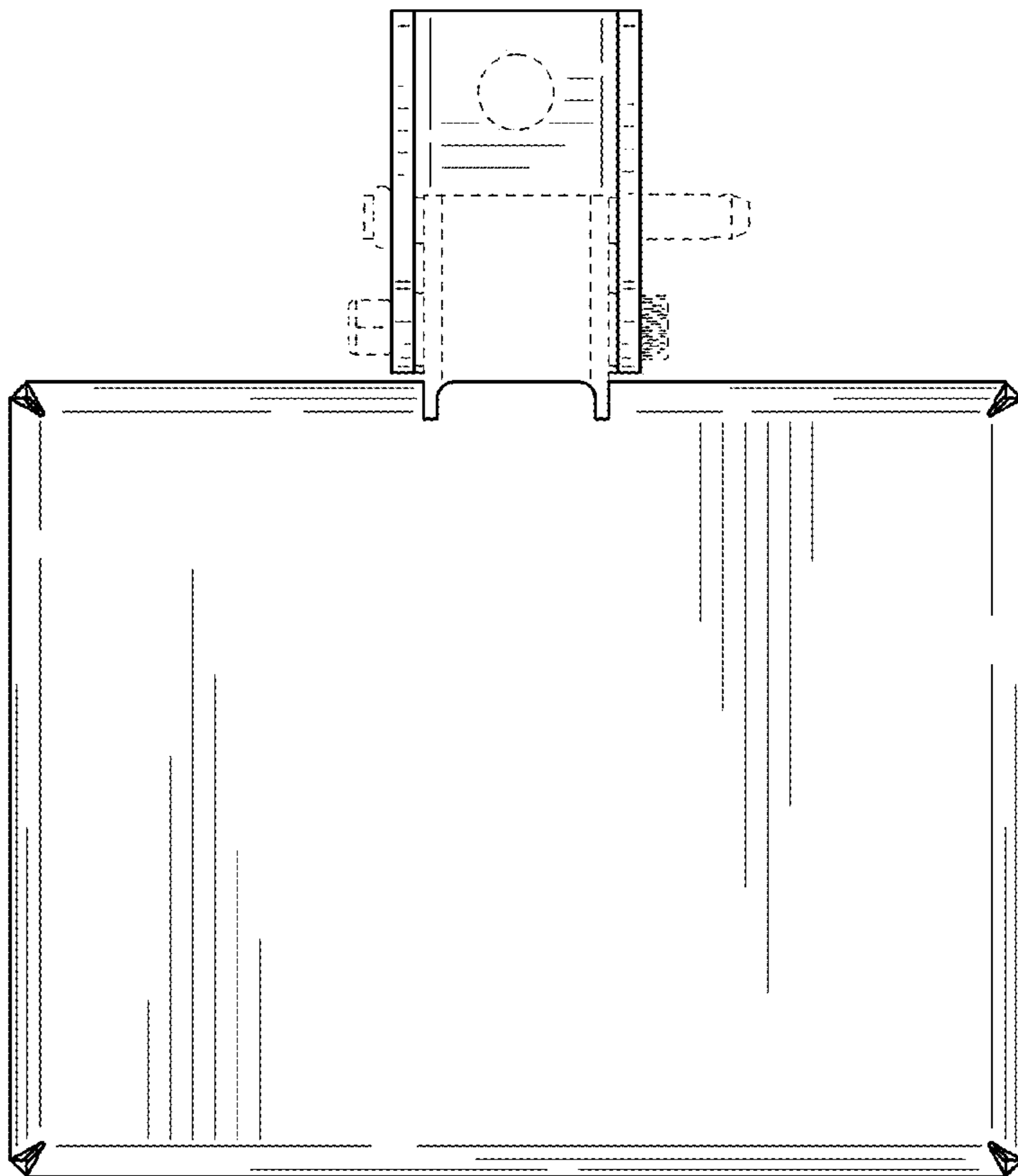


FIG. 14

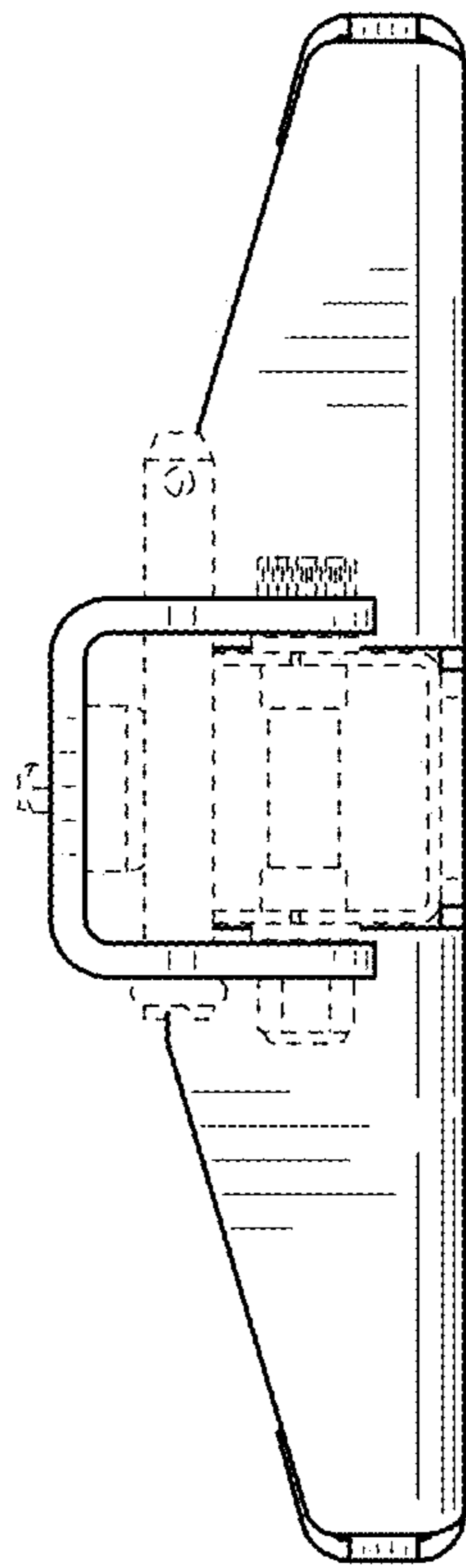


FIG. 15

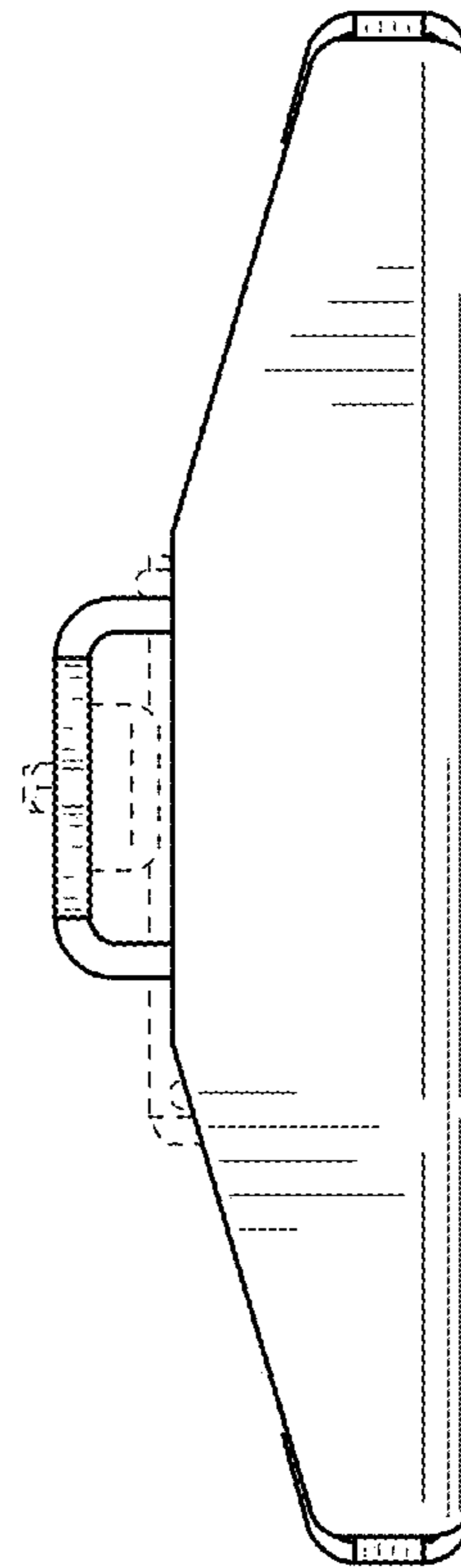


FIG. 16

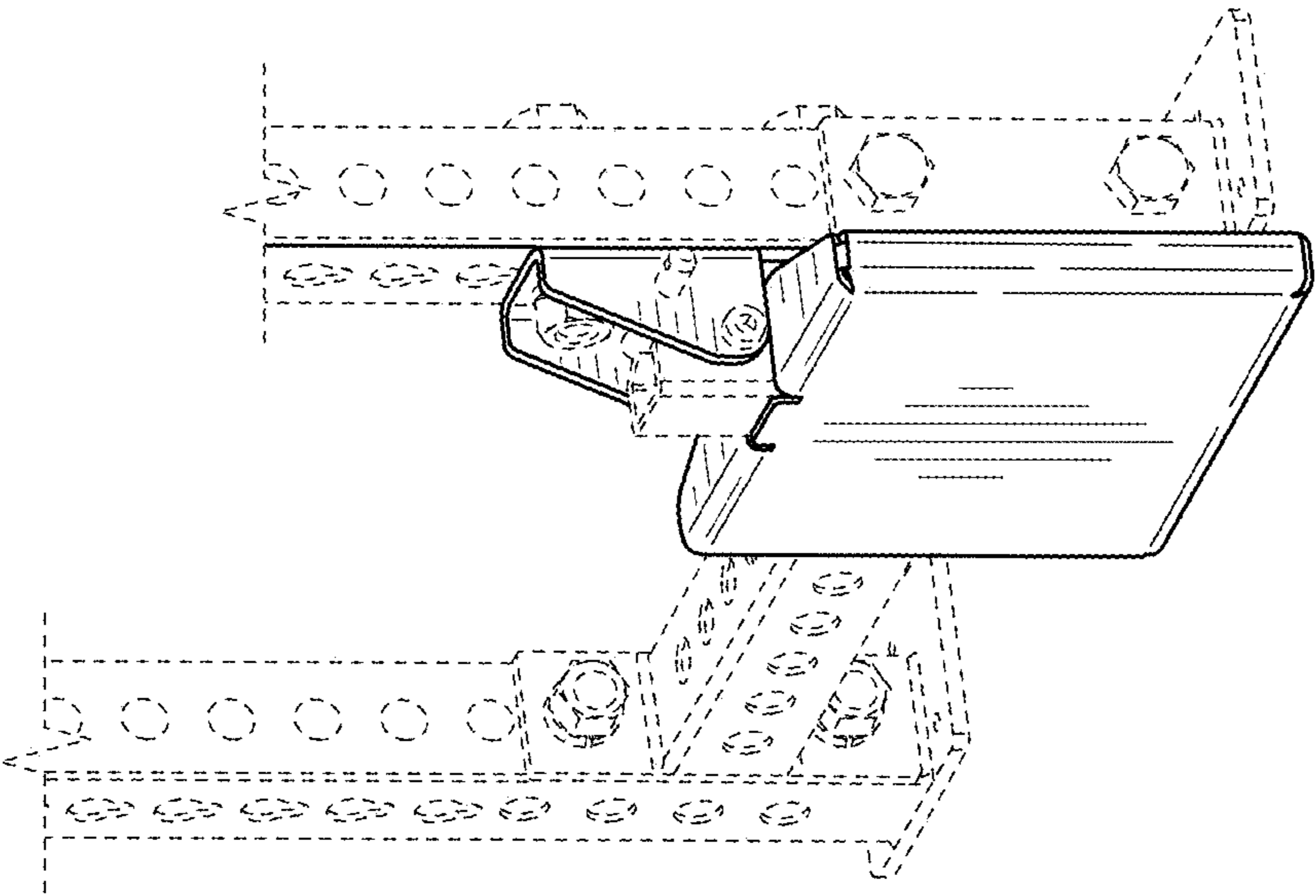


FIG. 17

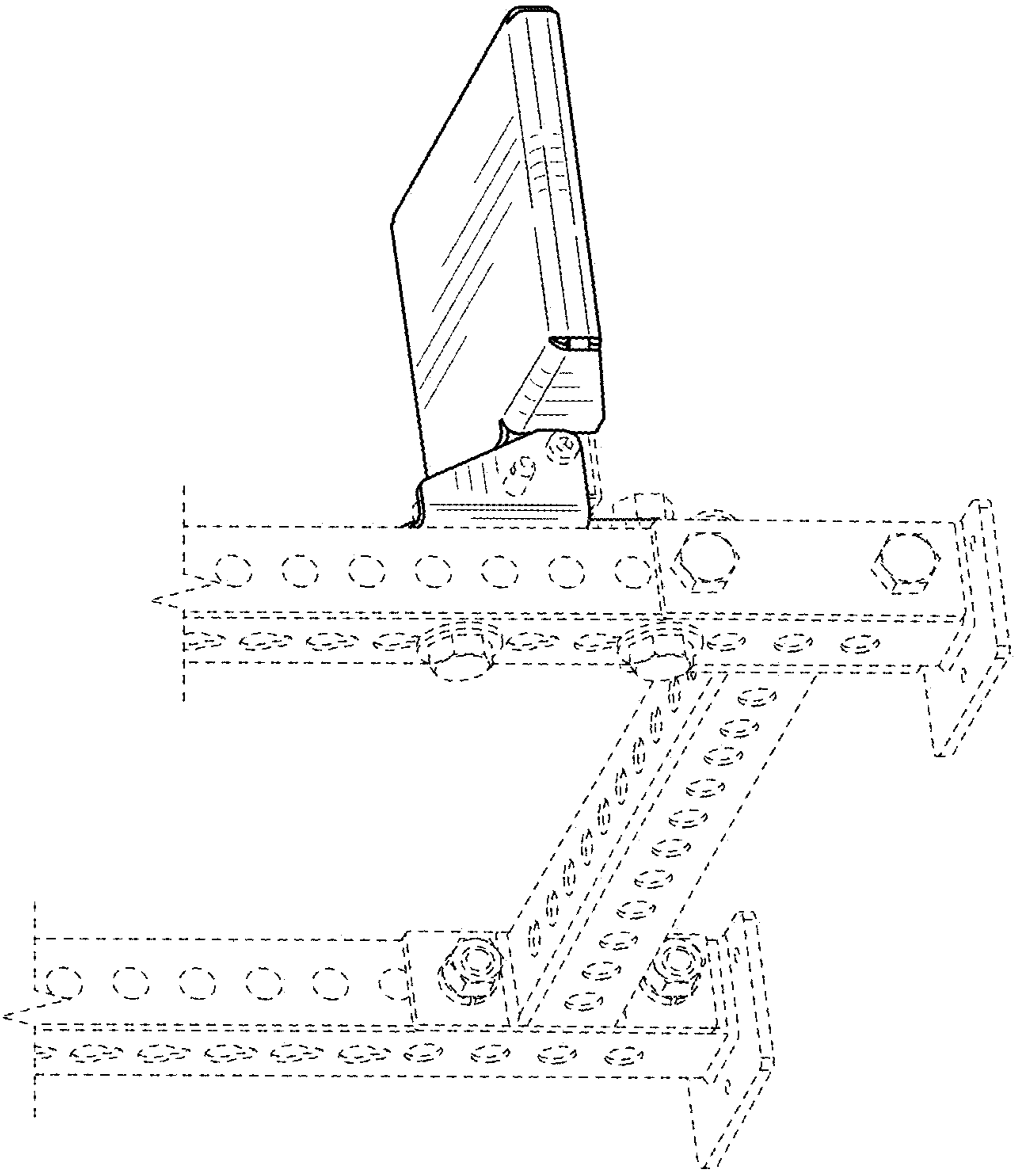


FIG. 18