



US00D912169S

(12) **United States Design Patent** (10) **Patent No.:** **US D912,169 S**  
**Xu** (45) **Date of Patent:** **\*\* Mar. 2, 2021**

(54) **FOREARM TRAINER**

(71) Applicant: **Ting Xu**, Zhejiang (CN)

(72) Inventor: **Ting Xu**, Zhejiang (CN)

(\*\*) Term: **15 Years**

(21) Appl. No.: **29/743,693**

(22) Filed: **Jul. 23, 2020**

(51) **LOC (13) Cl.** ..... **21-02**

(52) **U.S. Cl.**  
USPC ..... **D21/677**

(58) **Field of Classification Search**

USPC ..... D21/686, 673, 680, 684, 694, 692, 674,  
D21/665; D8/360; D14/452, 447;  
D12/203; 482/99, 98, 94, 93, 92, 91, 6,  
482/50, 46, 45, 44, 38, 140, 135, 129,  
482/127, 125, 123, 121, 120, 115, 104,  
482/101

(Continued)

(56) **References Cited**

**U.S. PATENT DOCUMENTS**

3,068,002 A \* 12/1962 Balne ..... A63B 21/018  
482/91  
3,806,121 A \* 4/1974 Crossley ..... A63B 23/14  
273/335

(Continued)

**OTHER PUBLICATIONS**

Pulley by Taeku dated Jun. 22, 2020. Found online [Jan. 7, 2021]  
[https://www.amazon.com/Professional-Strength-Equipment-Pulldowns-Extensions/dp/B087NRNZ8Q/ref=cm\\_cr\\_ar\\_p\\_d\\_product\\_top?ie=UTF8](https://www.amazon.com/Professional-Strength-Equipment-Pulldowns-Extensions/dp/B087NRNZ8Q/ref=cm_cr_ar_p_d_product_top?ie=UTF8) (Year: 2020).\*

*Primary Examiner* — Ryan Harvey

(74) *Attorney, Agent, or Firm* — ScienBiziP, P.C.

(57) **CLAIM**

The ornamental design for a forearm trainer, as shown and described.

**DESCRIPTION**

FIG. 1 is a front perspective view of a forearm trainer, showing my design.

FIG. 2 is a front elevation view of the forearm trainer of FIG. 1.

FIG. 3 is a left side elevation view of the forearm trainer of FIG. 1.

FIG. 4 is a right side elevation view of the forearm trainer of FIG. 1.

FIG. 5 is a top plan view of the forearm trainer of FIG. 1.

FIG. 6 is a bottom plan view of the forearm trainer of FIG. 1.

FIG. 7 is a perspective view of the forearm trainer of FIG. 1 wherein a hook of the forearm trainer is loaded with weight pieces.

FIG. 8 is another perspective view of the forearm trainer of FIG. 1 wherein the hook of the forearm trainer is loaded with weight pieces and a rod of the forearm trainer being pulled by a person.

FIG. 9 is an enlarged view of an area labeled 9 in FIG. 1.

FIG. 10 is an enlarged view of an area labeled 10 in FIG. 1.

FIG. 11 is a front perspective view of another embodiment of a forearm trainer.

FIG. 12 is a front elevation view of the forearm trainer of FIG. 11.

FIG. 13 is a left side elevation view of the forearm trainer of FIG. 11.

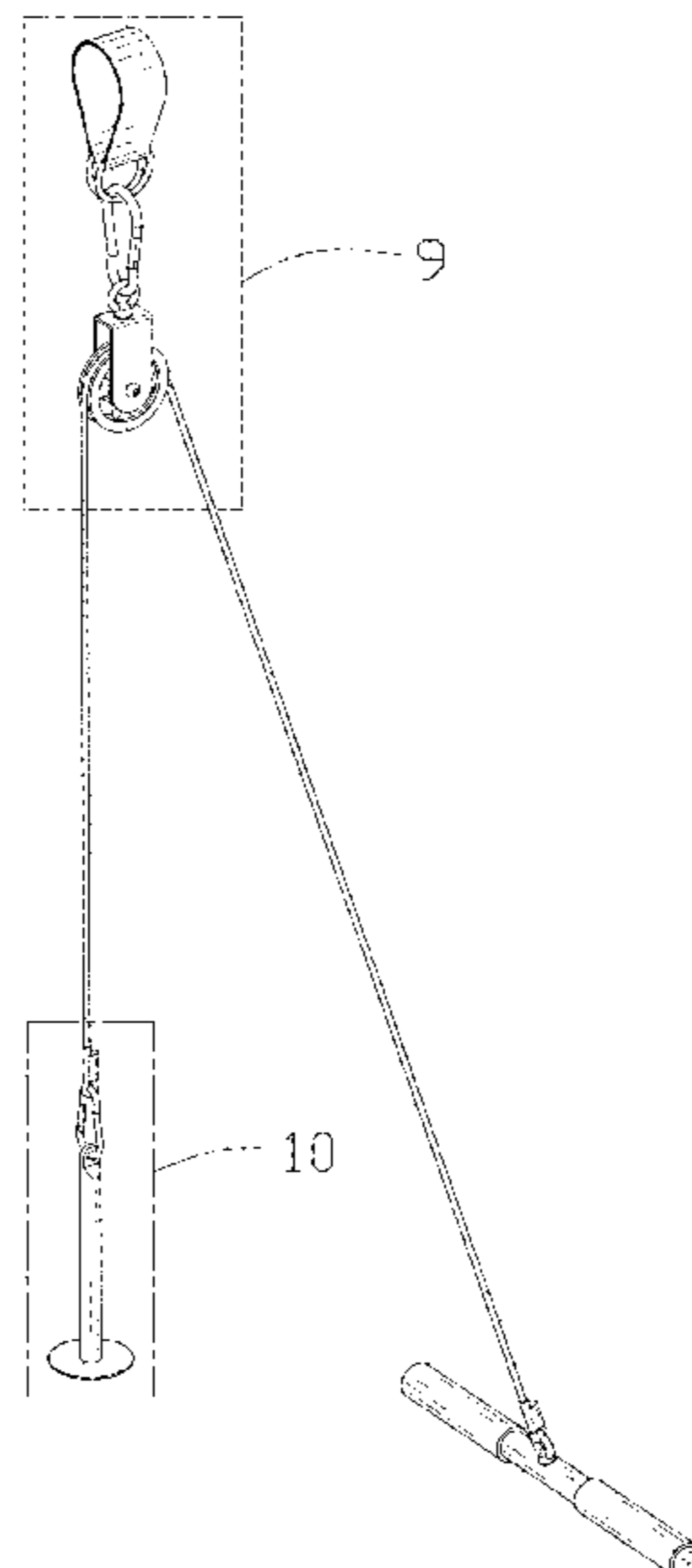
FIG. 14 is a right side elevation view of the forearm trainer of FIG. 11.

FIG. 15 is a top plan view of the forearm trainer of FIG. 11; and,

FIG. 16 is a bottom plan view of the forearm trainer of FIG. 11.

The broken lines in the drawings depict environmental structure and form no part of the claimed design.

**1 Claim, 16 Drawing Sheets**



(58) **Field of Classification Search**  
 CPC ..... A63B 2225/093; A63B 21/4035; A63B  
 21/078; A63B 21/154; A63B 21/0626;  
 A63B 21/153; A63B 23/14  
 See application file for complete search history.

(56) **References Cited**

U.S. PATENT DOCUMENTS

3,982,755 A \* 9/1976 Sarich ..... A63B 23/14  
 482/93  
 D264,237 S \* 5/1982 McCaleb ..... 482/46  
 D268,436 S \* 3/1983 Clark ..... D21/680  
 4,438,920 A \* 3/1984 Veillette ..... A63B 23/14  
 482/46  
 4,955,604 A \* 9/1990 Pogue ..... A63B 21/078  
 482/106  
 5,060,933 A \* 10/1991 Cedro ..... A63B 23/14  
 482/44  
 5,312,309 A \* 5/1994 Fox ..... A63B 21/0004  
 482/120  
 5,380,261 A \* 1/1995 Mora ..... A63B 21/153  
 482/109  
 D378,386 S \* 3/1997 Brubaker ..... D21/680  
 5,632,726 A \* 5/1997 Repice ..... A61F 5/04  
 601/33  
 D403,384 S \* 12/1998 Clark ..... D21/684  
 5,857,949 A \* 1/1999 Tebbe ..... A63B 21/154  
 482/131

5,873,805 A \* 2/1999 Ayres ..... A63B 21/0004  
 482/122  
 6,099,437 A \* 8/2000 DeMers ..... A63B 23/14  
 482/46  
 6,234,934 B1 \* 5/2001 Gorczyca ..... A63B 21/0609  
 482/108  
 6,312,359 B1 \* 11/2001 Brundle ..... A63B 21/0605  
 482/46  
 D476,706 S \* 7/2003 Albright ..... D21/684  
 D505,459 S \* 5/2005 Lagattuta ..... D21/680  
 6,916,275 B2 \* 7/2005 Beedy ..... A63B 21/06  
 482/46  
 7,029,423 B2 \* 4/2006 Lear, Jr. .... A63B 21/06  
 482/40  
 D538,360 S \* 3/2007 Beaupre ..... D21/662  
 7,364,555 B1 \* 4/2008 Davidson ..... A61H 1/0274  
 482/131  
 D617,401 S \* 6/2010 Kulka ..... D21/692  
 7,753,827 B1 \* 7/2010 Emick ..... A63B 23/14  
 482/44  
 7,833,141 B2 \* 11/2010 Kulka ..... A63B 21/153  
 482/127  
 D695,369 S \* 12/2013 Bennett ..... D21/694  
 10,300,331 B2 \* 5/2019 Seltzer ..... A63B 21/4033  
 D852,290 S 6/2019 Noback et al.  
 D867,490 S 11/2019 Noback et al.  
 D874,586 S \* 2/2020 Bartolotta ..... D21/694  
 D893,286 S \* 8/2020 Xu ..... D8/360

\* cited by examiner

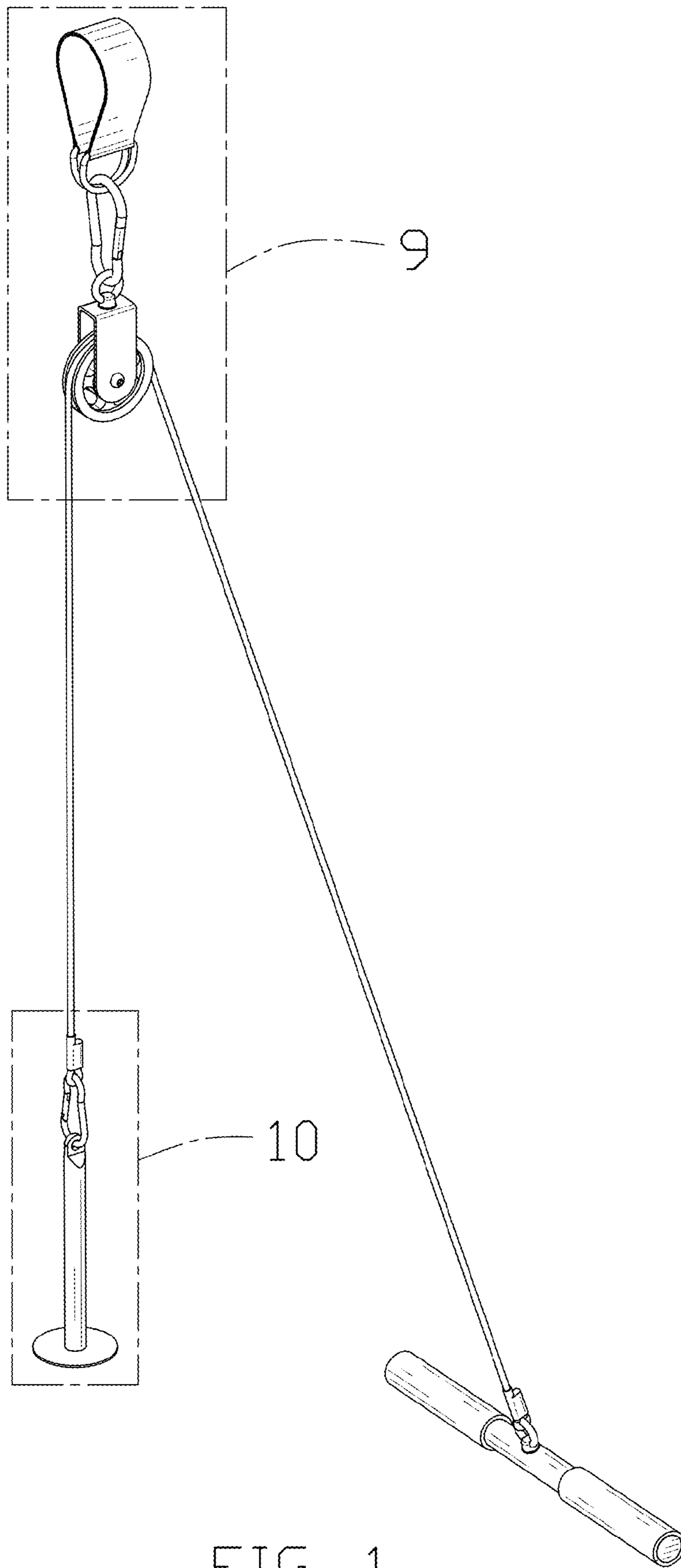


FIG. 1

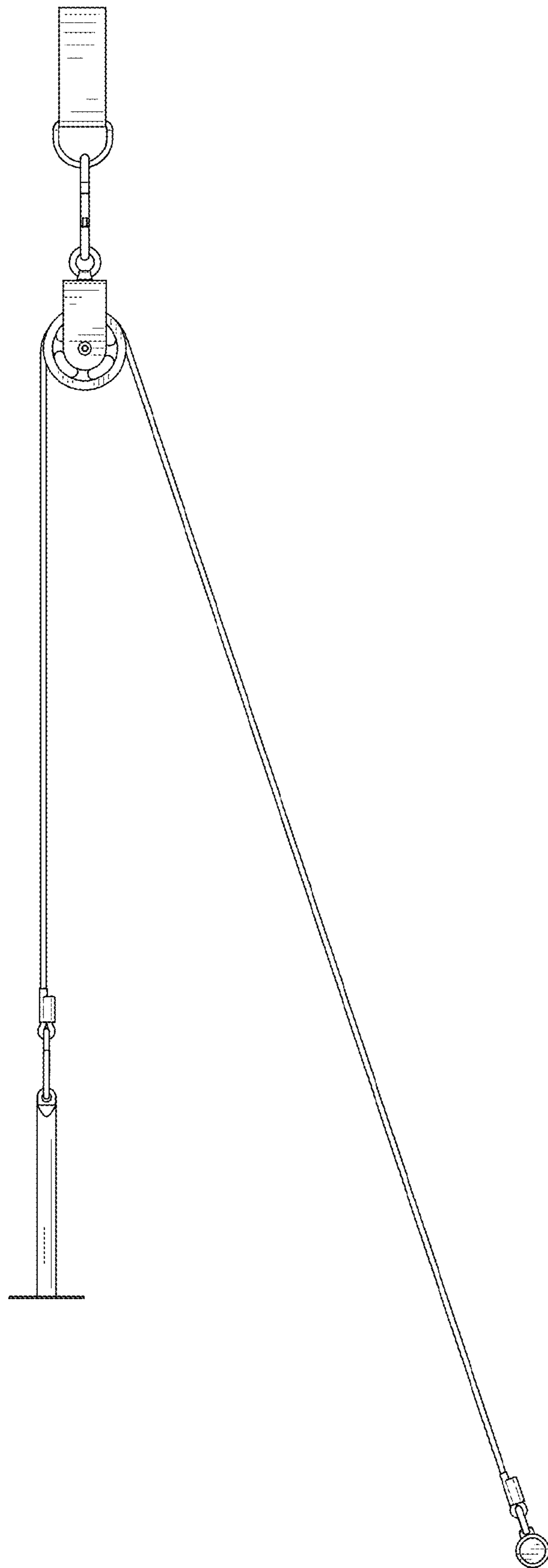


FIG. 2

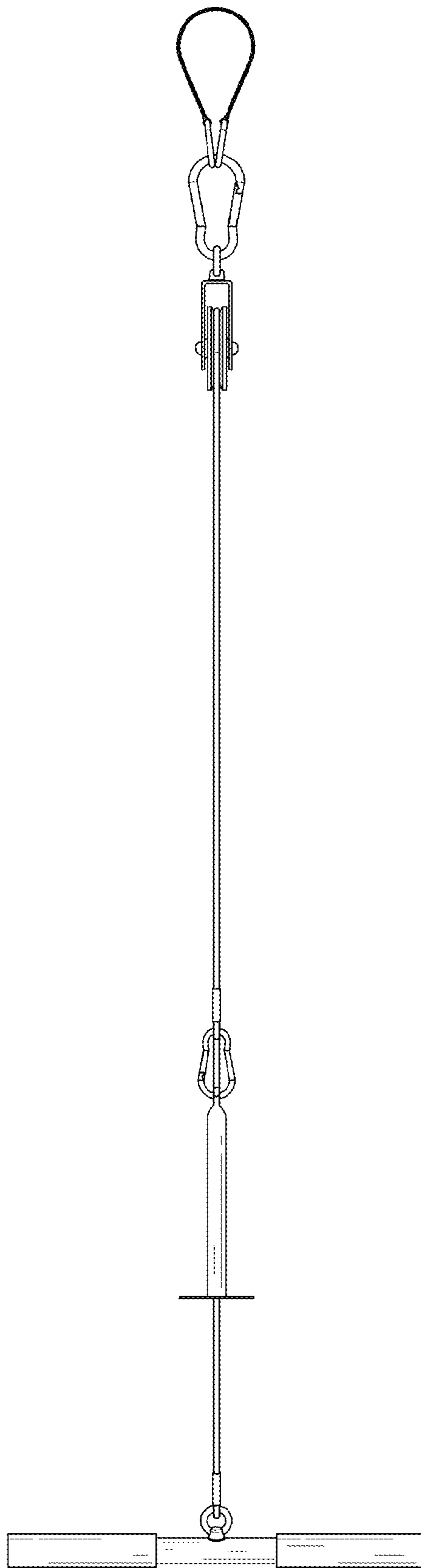


FIG. 3

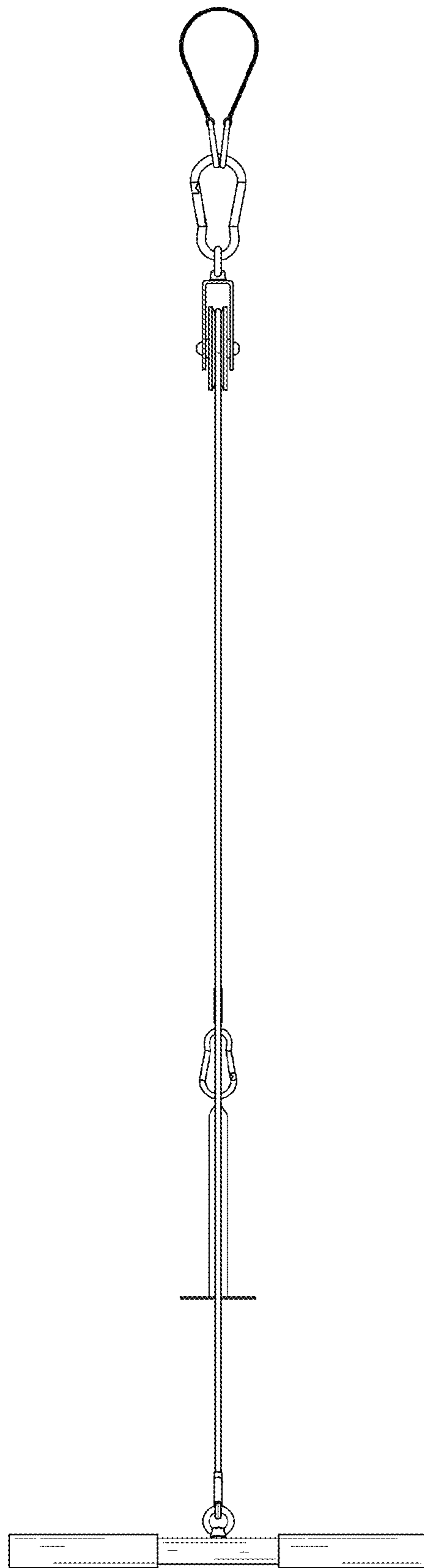


FIG. 4

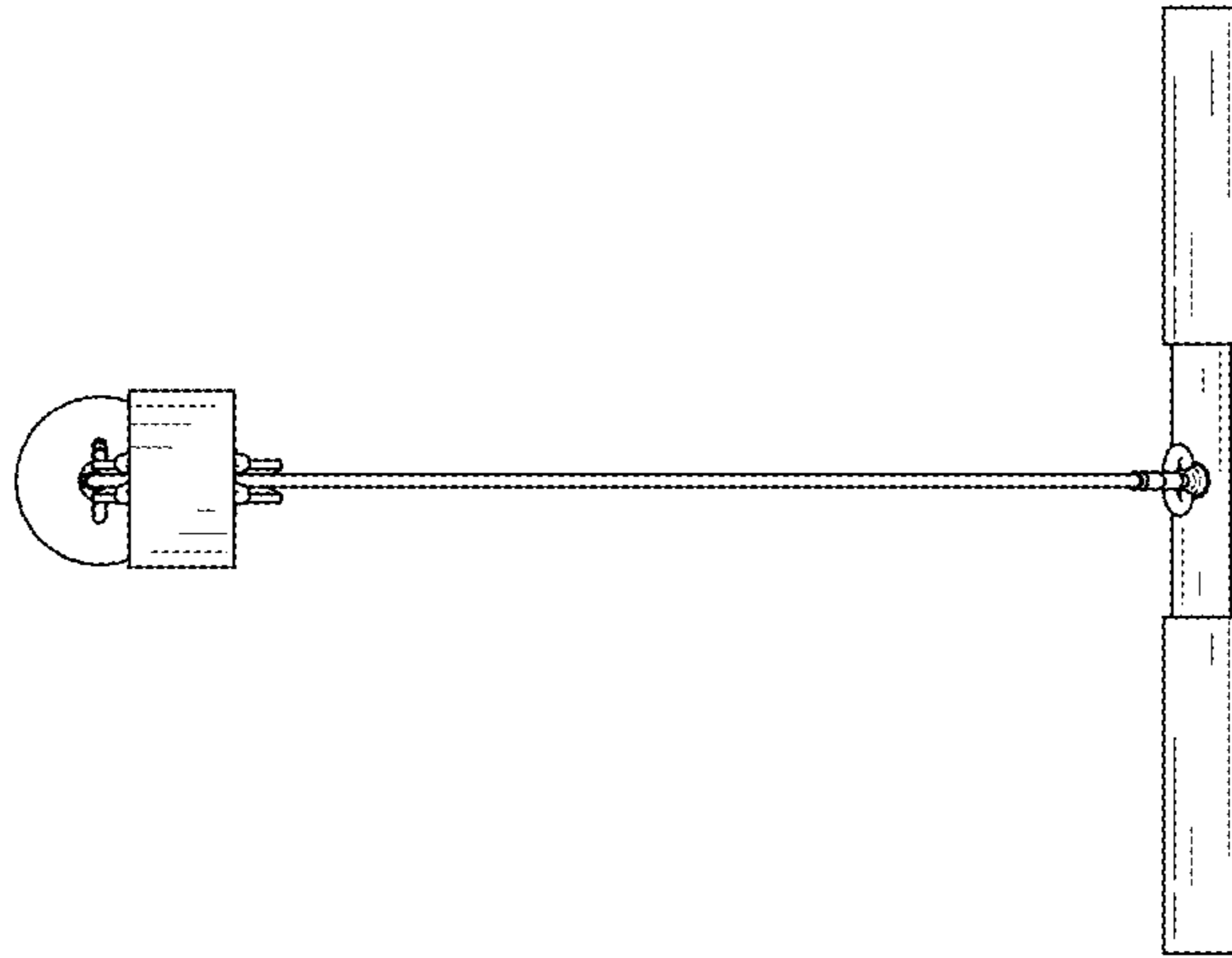


FIG. 5

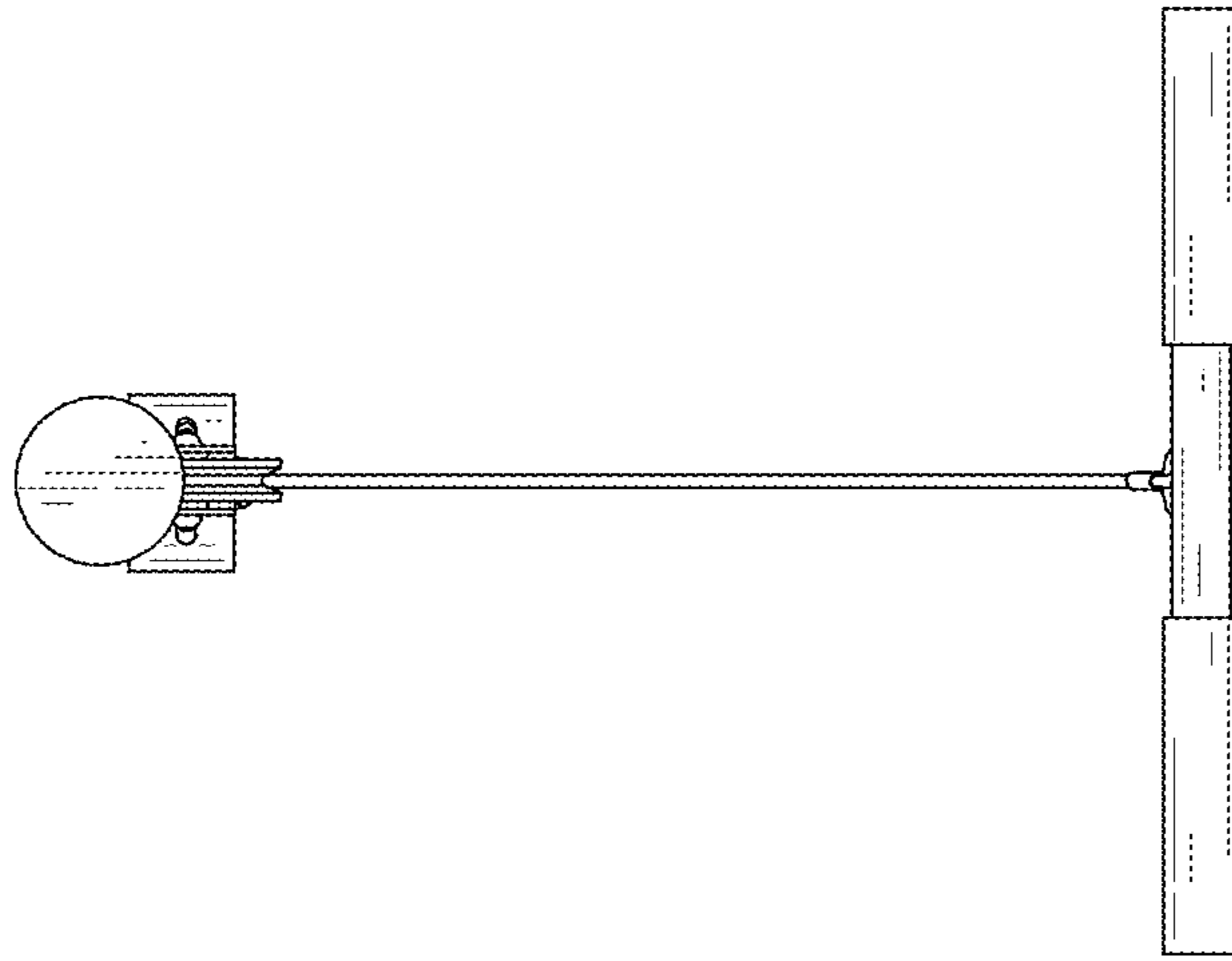


FIG. 6



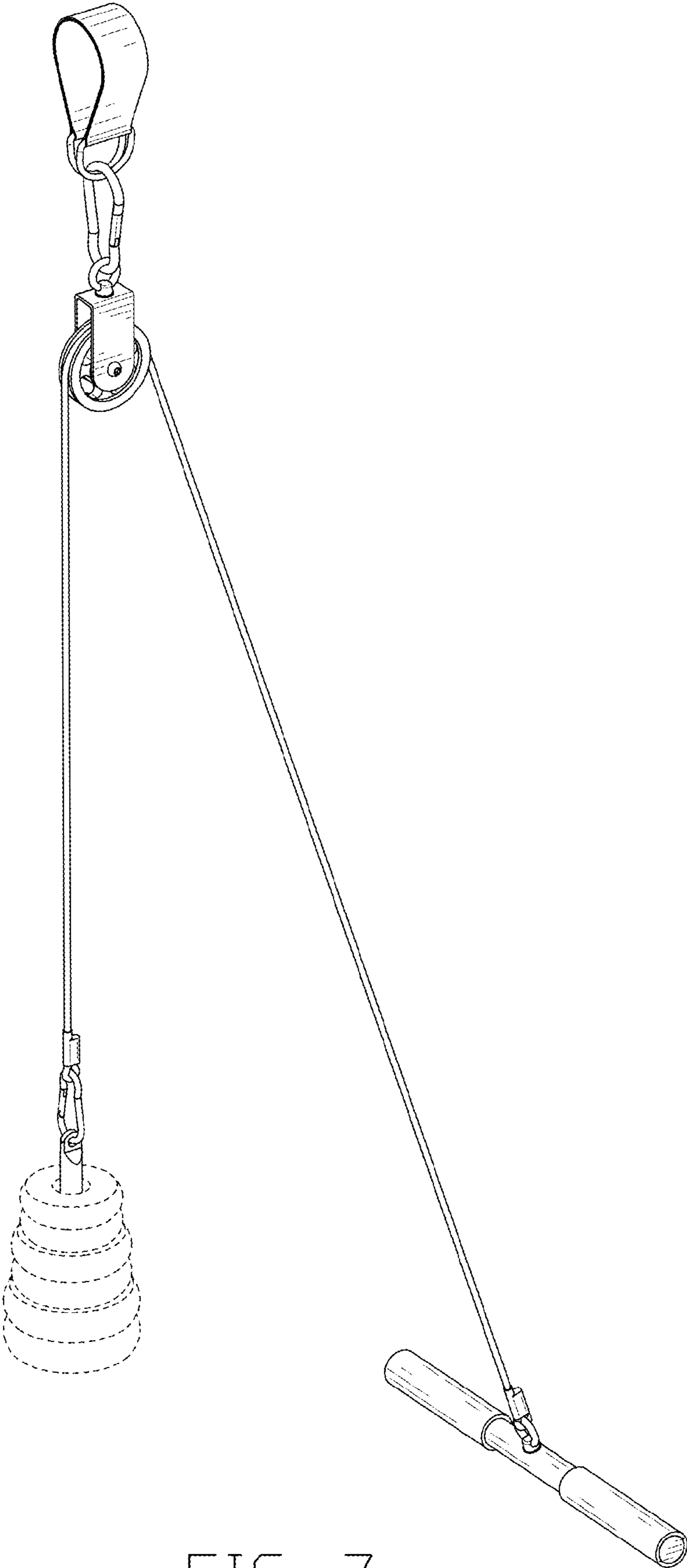


FIG. 7

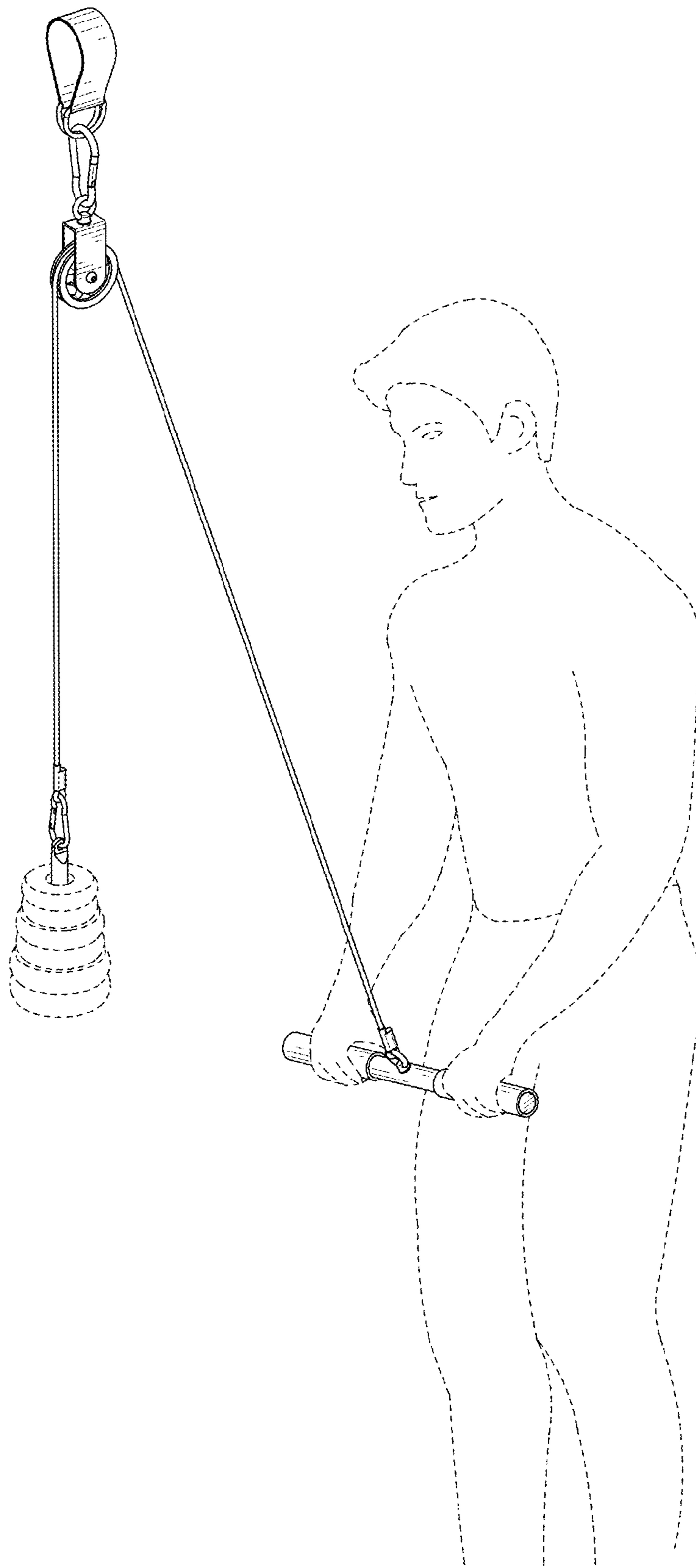


FIG. 8

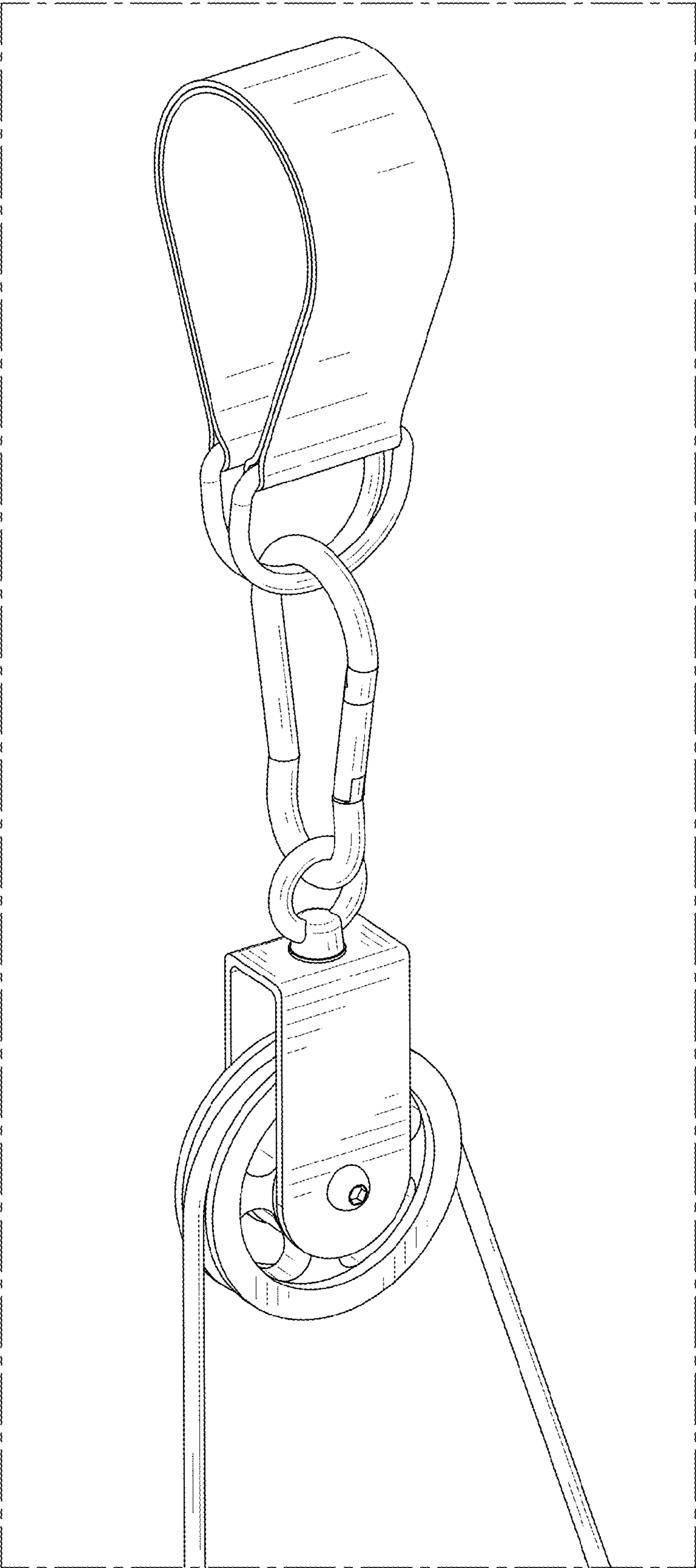


FIG. 9

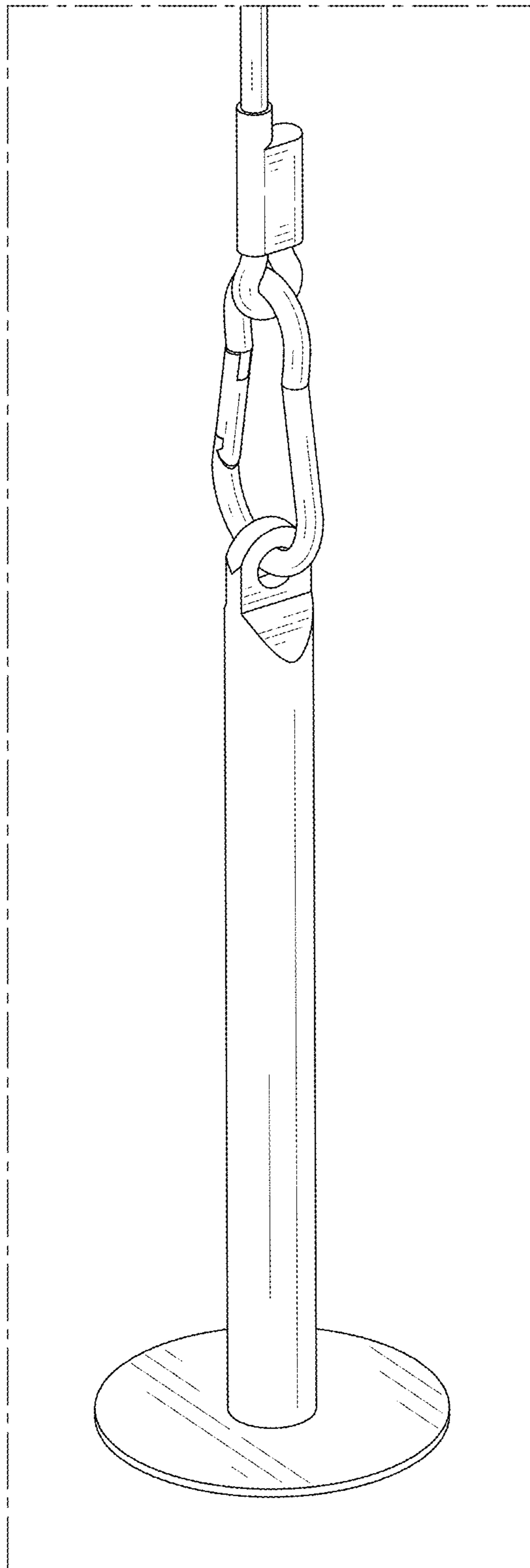


FIG. 10

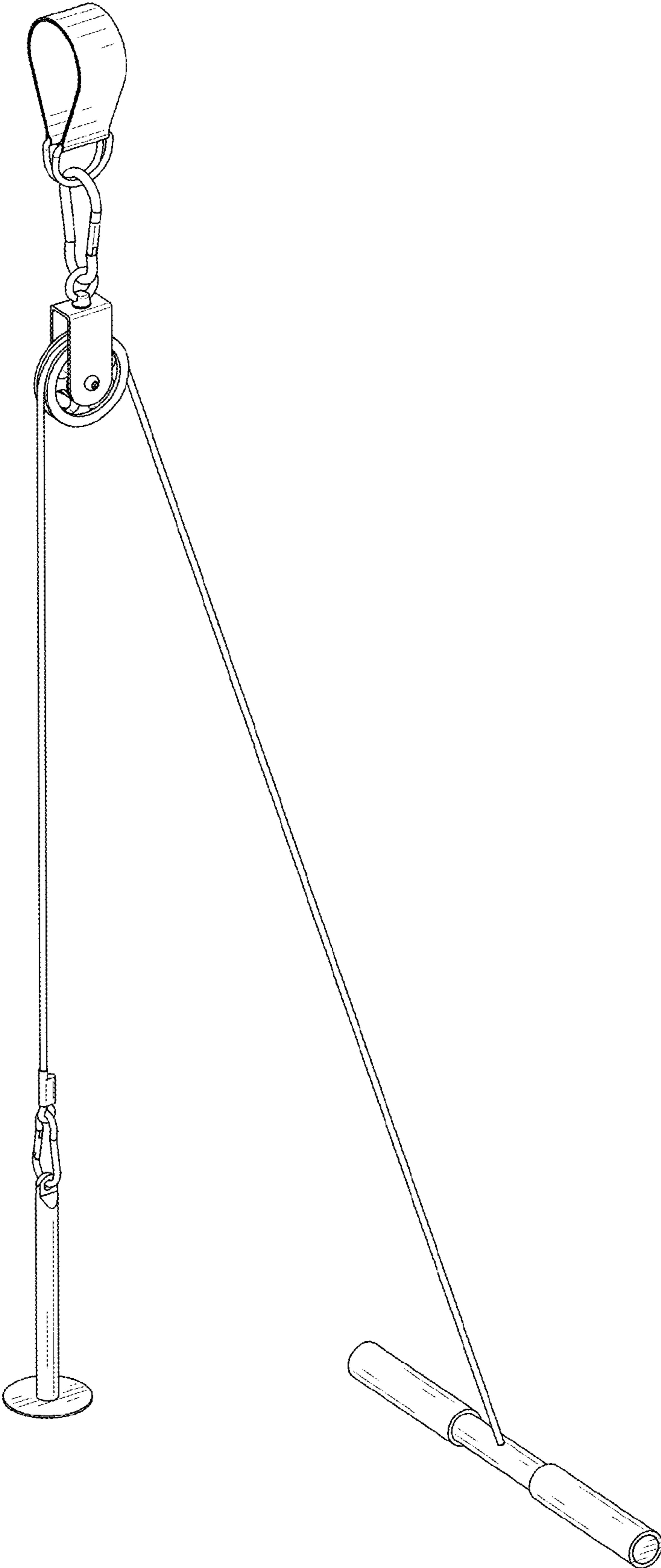


FIG. 11

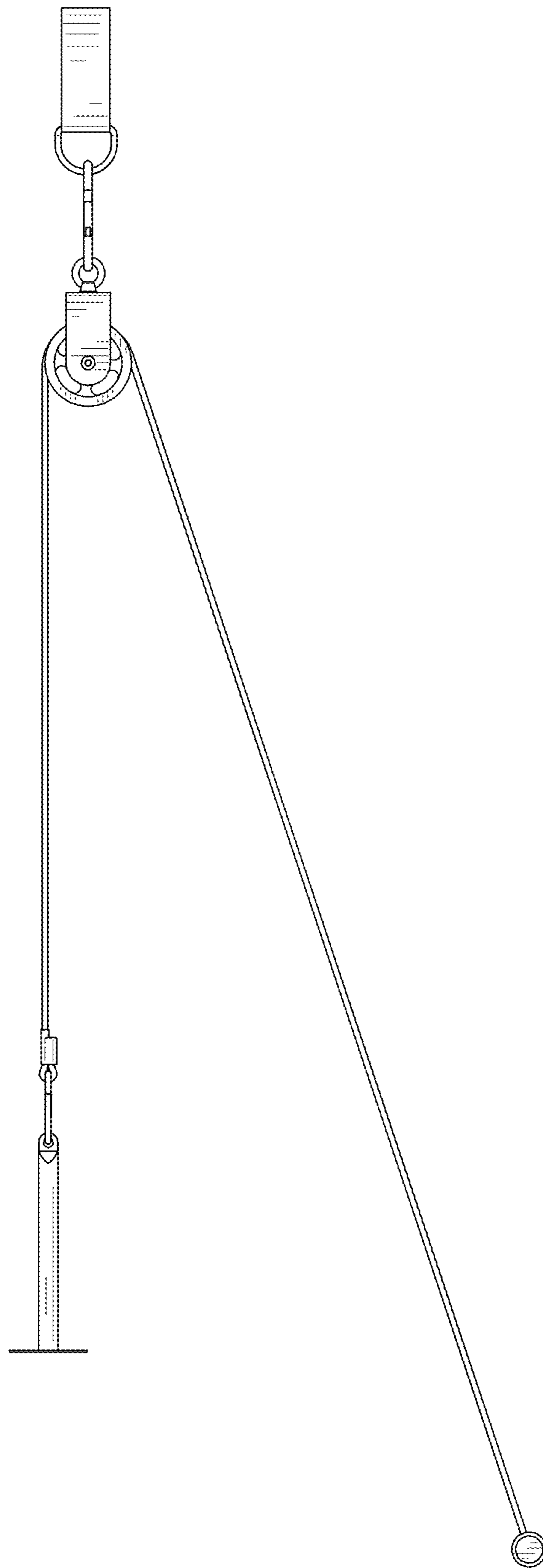


FIG. 12

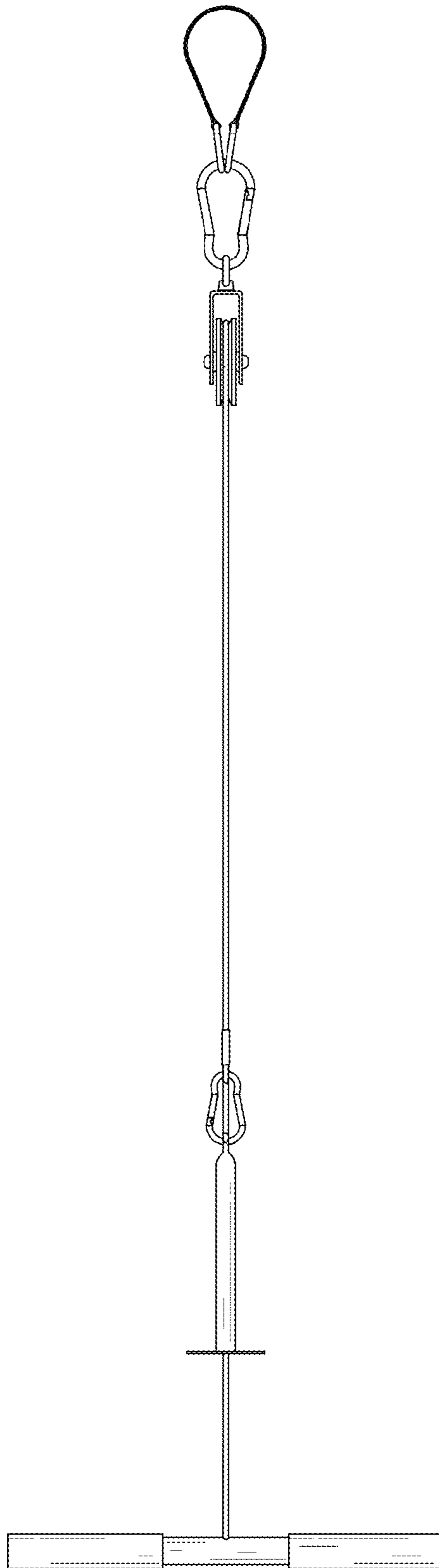


FIG. 13

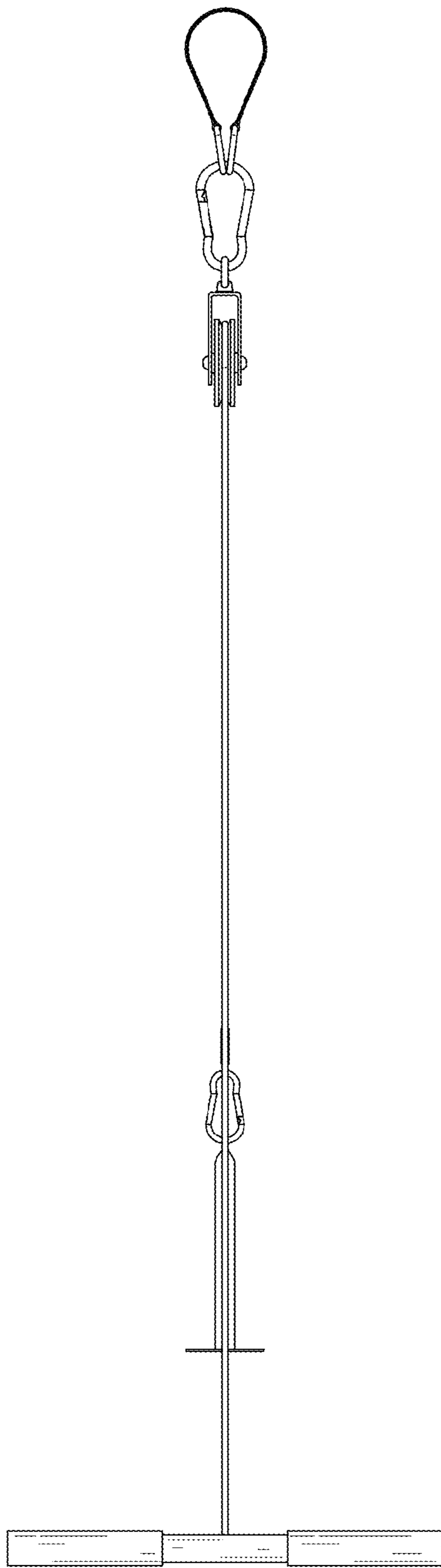


FIG. 14



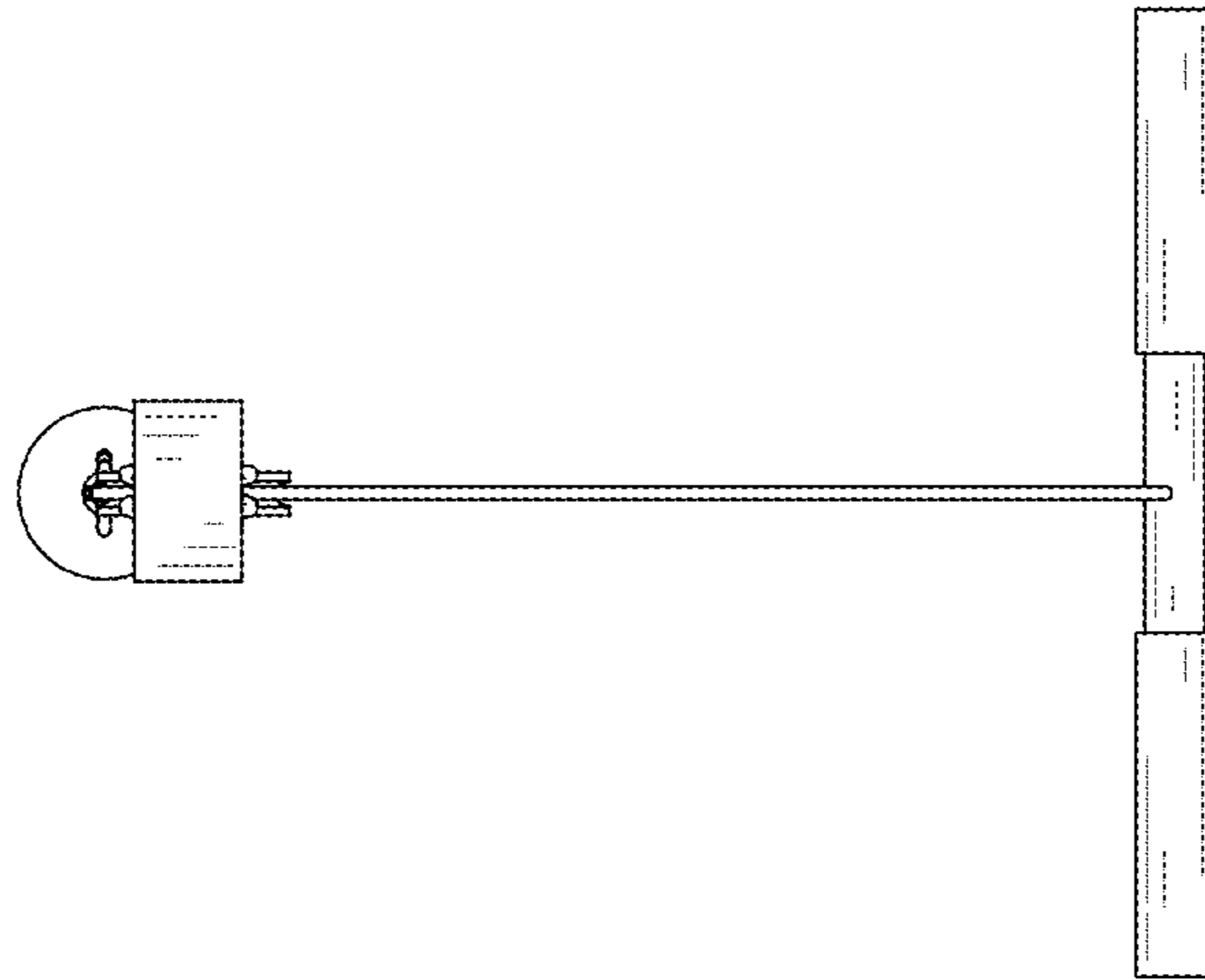


FIG. 15

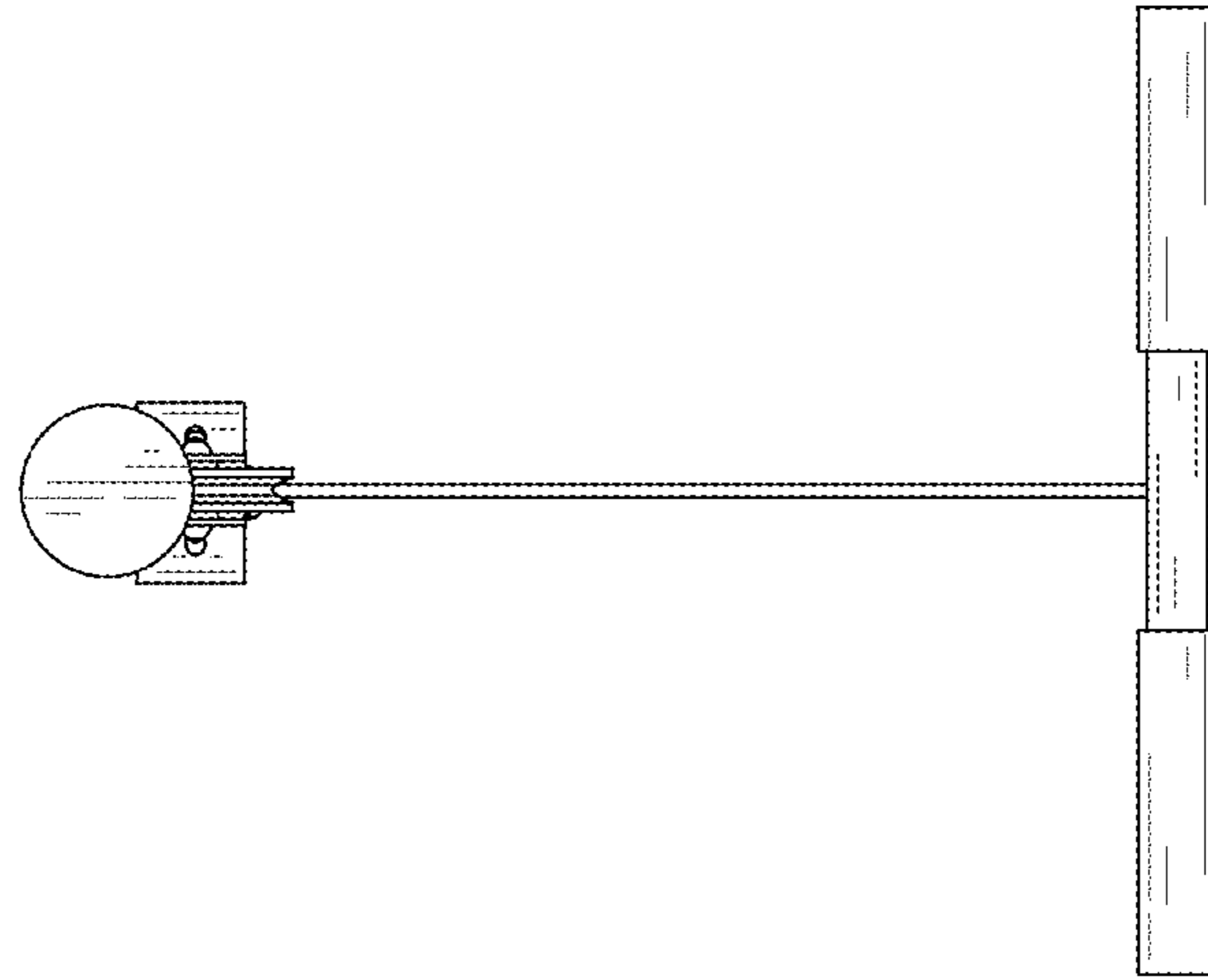


FIG. 16