



US00D912167S

(12) **United States Design Patent**
Johansen et al.

(10) **Patent No.: US D912,167 S**
(45) **Date of Patent: ** Mar. 2, 2021**

(54) **MULTIFUNCTIONAL FITNESS MACHINE**

8,894,549 B2 * 11/2014 Colledge A63B 22/0046
482/52

(71) Applicant: **Kompan A/S**, Odense SØ (DK)

D801,451 S * 10/2017 Hooper D21/668

(72) Inventors: **Martin Noergaard Johansen**, Fyn (DK); **Niels Grubak Iversen**, Vejlen (DK)

D843,502 S * 3/2019 Hsieh D21/668

D854,100 S * 7/2019 Xing D21/668

D864,315 S * 10/2019 Hume A63B 22/0046

D21/670

(**) Term: **15 Years**

FOREIGN PATENT DOCUMENTS

(21) Appl. No.: **35/508,486**

EM 006140000-0004 2/2019

(22) Filed: **Oct. 10, 2019**

OTHER PUBLICATIONS

(80) **Hague Agreement Data**

U.S. Appl. No. 29/678,890, Kompan A/S.

Int. Filing Date: **Oct. 10, 2019**

* cited by examiner

Int. Reg. No.: **DM/205351**

Primary Examiner — George D. Kirschbaum

Int. Reg. Date: **Oct. 10, 2019**

Assistant Examiner — Joseph J Kukella

Int. Reg. Pub. Date: **Jan. 31, 2020**

(51) **LOC (13) Cl.** **21-02**

(52) **U.S. Cl.**

USPC **D21/671**

(58) **Field of Classification Search**

USPC D21/668-671, 673

CPC A63B 23/035; A63B 23/03516; A63B 23/03525

See application file for complete search history.

(57) **CLAIM**

The ornamental design for a multifunctional fitness machine, as shown and described.

DESCRIPTION

1. Multifunctional fitness machine

1.1 : Perspective

1.2 : Front

1.3 : Back

1.4 : Left

1.5 : Right

1.6 : Top

1.7 : Bottom

The design shows a new multifunctional fitness machine; the features shown in broken lines in the drawings depict environmental subject matter only, and form no part of the claimed designs.

(56) **References Cited**

U.S. PATENT DOCUMENTS

D449,356 S * 10/2001 Arnold D21/668

D464,688 S * 10/2002 May D21/668

D464,689 S * 10/2002 May D21/668

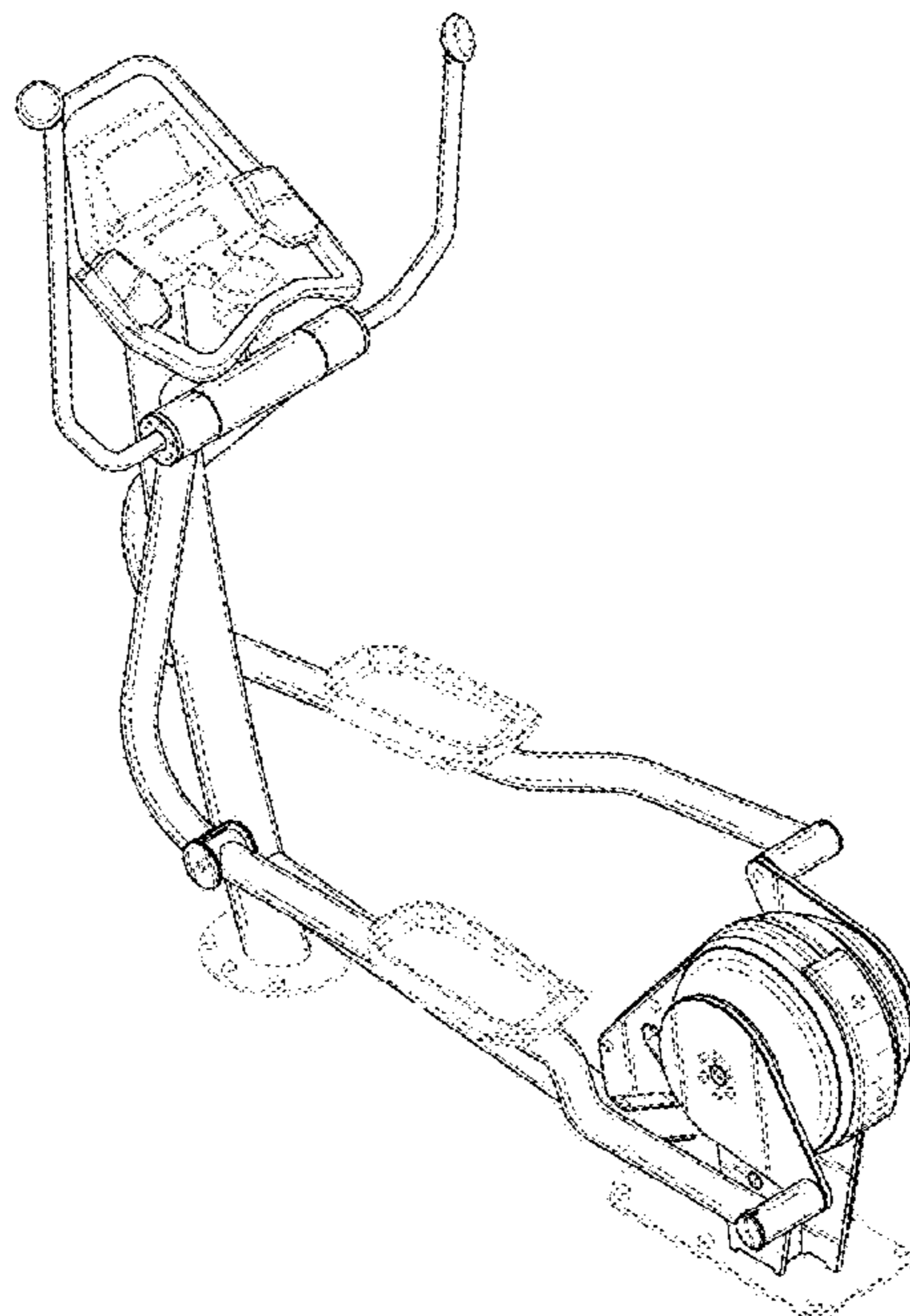
D465,000 S * 10/2002 Arnold D21/668

D558,841 S * 1/2008 Clawson D21/668

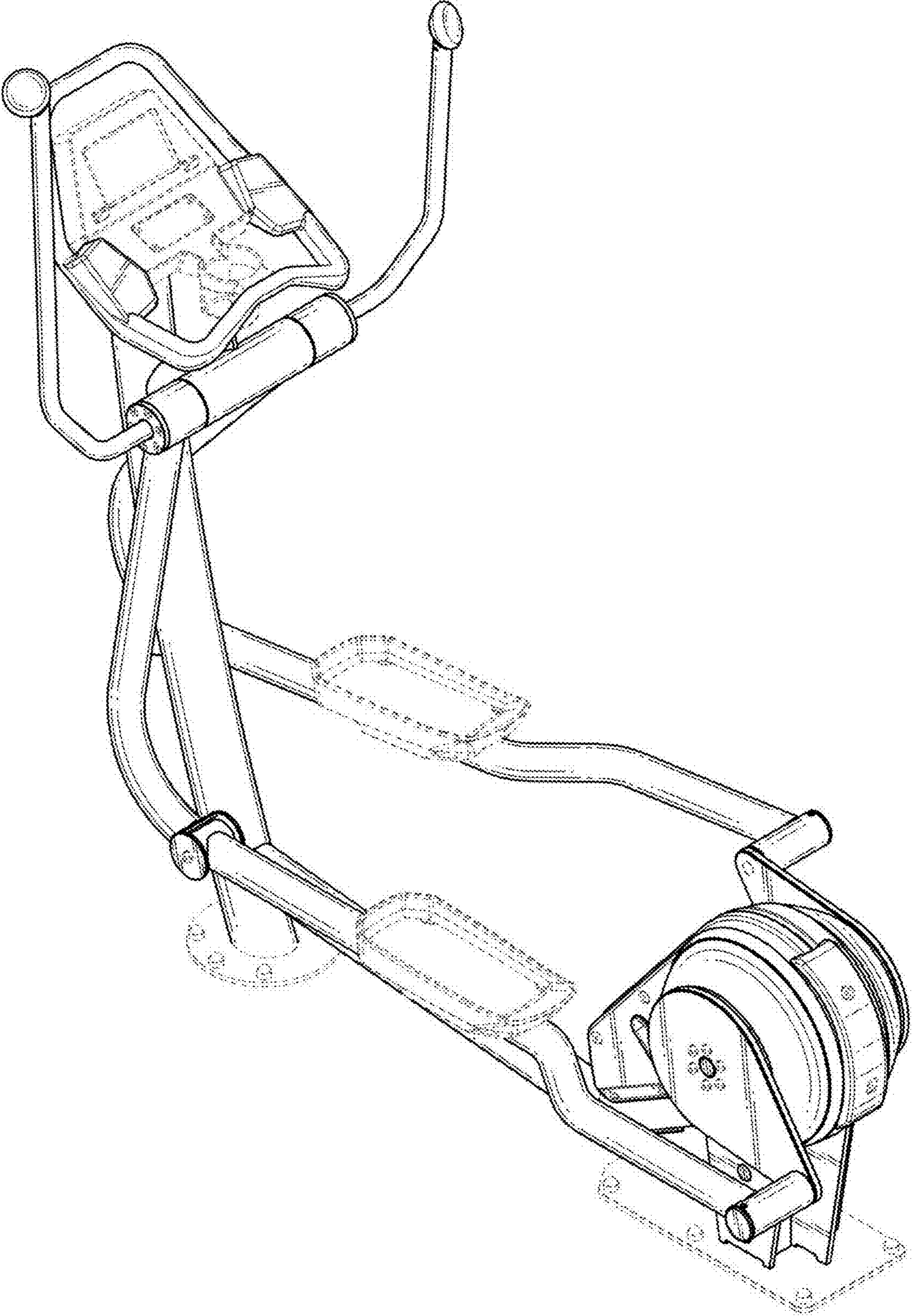
D606,599 S * 12/2009 Murray D21/668

D615,604 S * 5/2010 Keiser D21/668

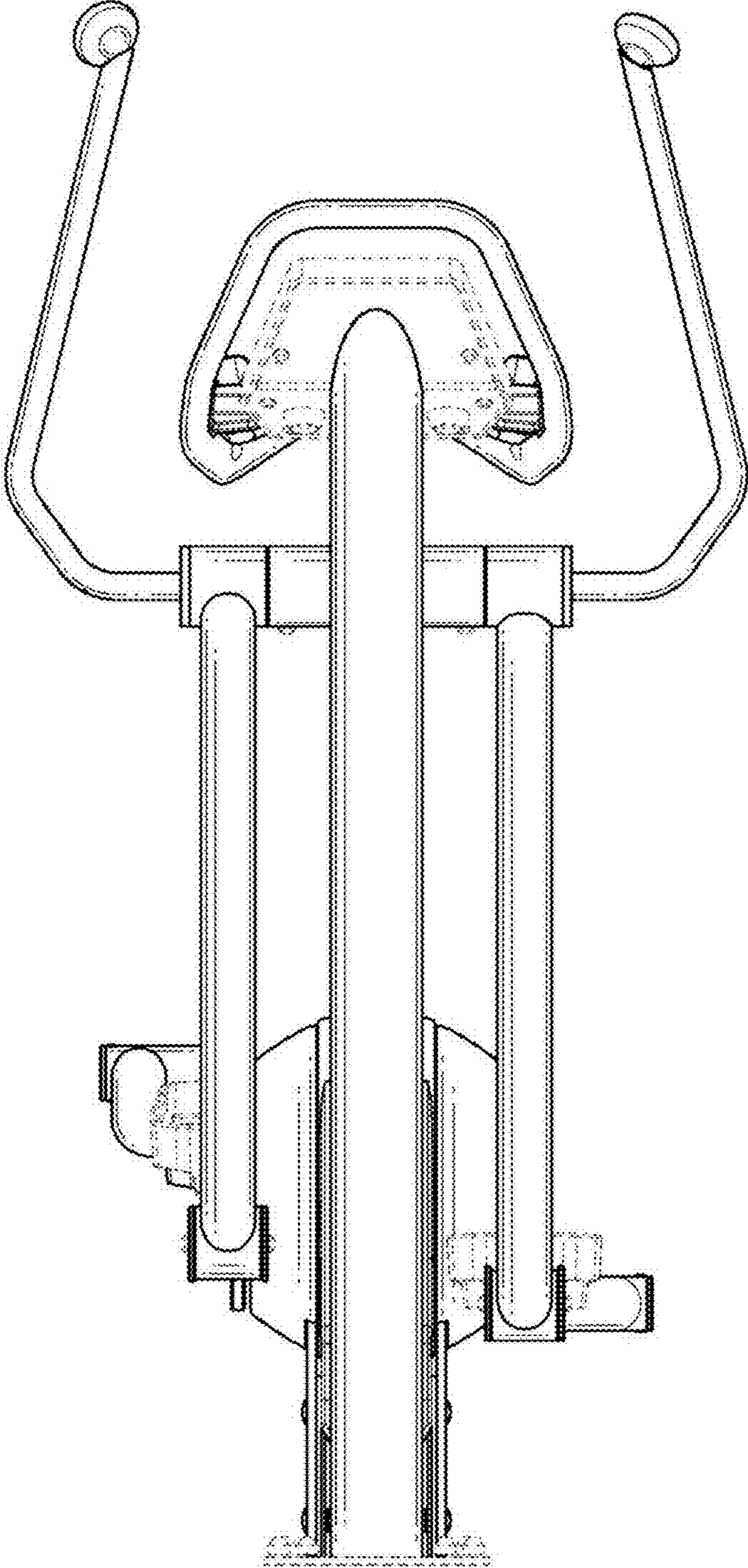
1 Claim, 7 Drawing Sheets



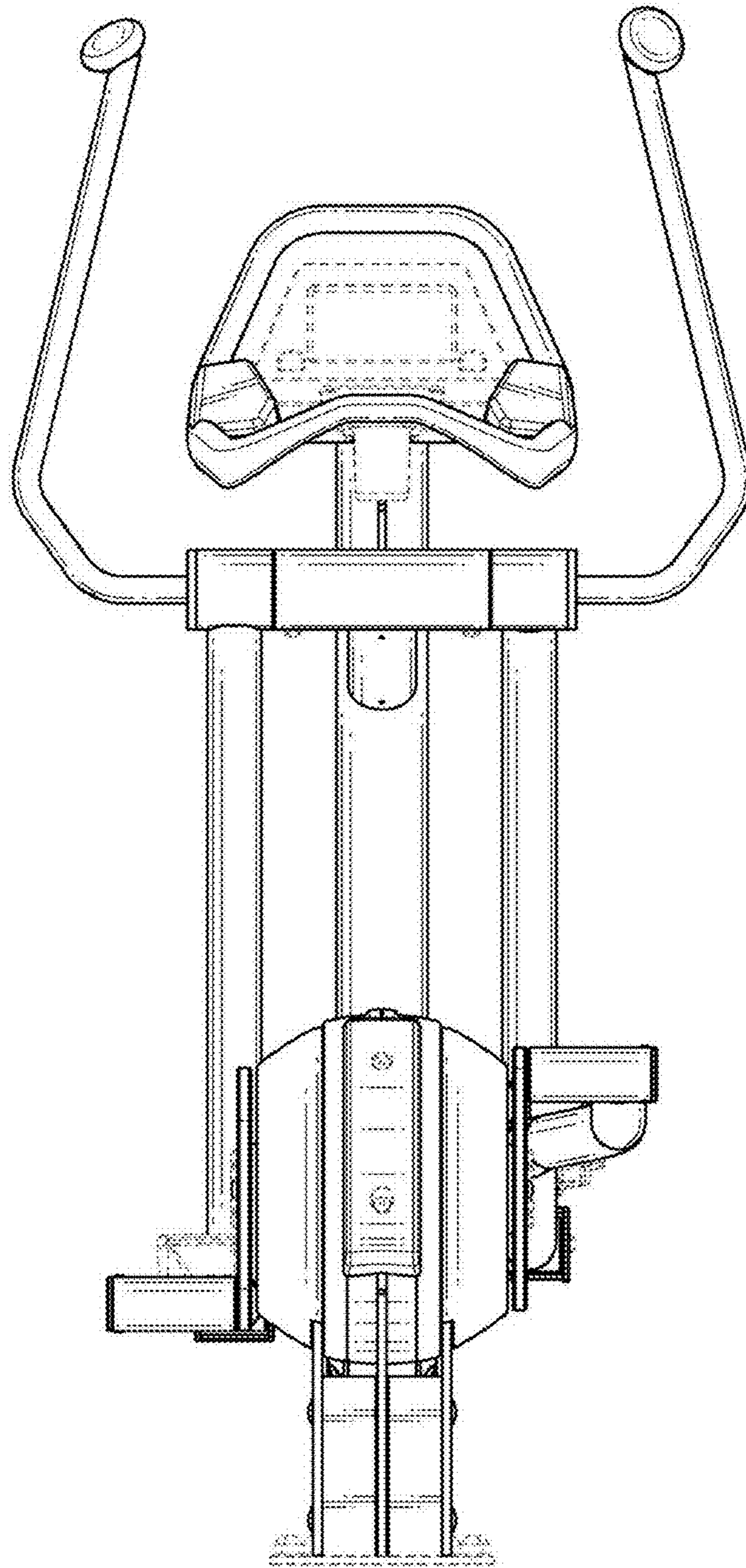
1.1



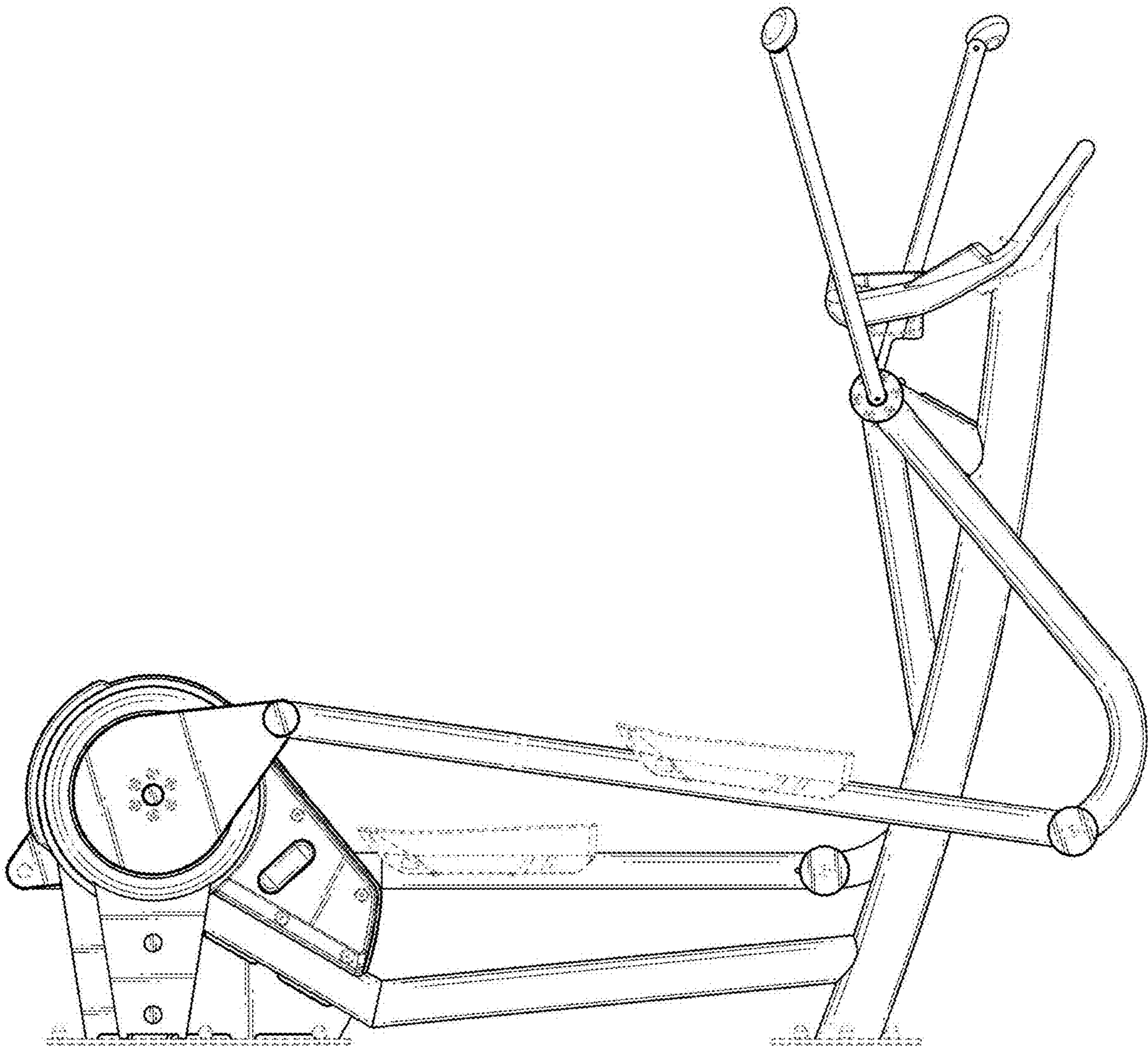
1.2



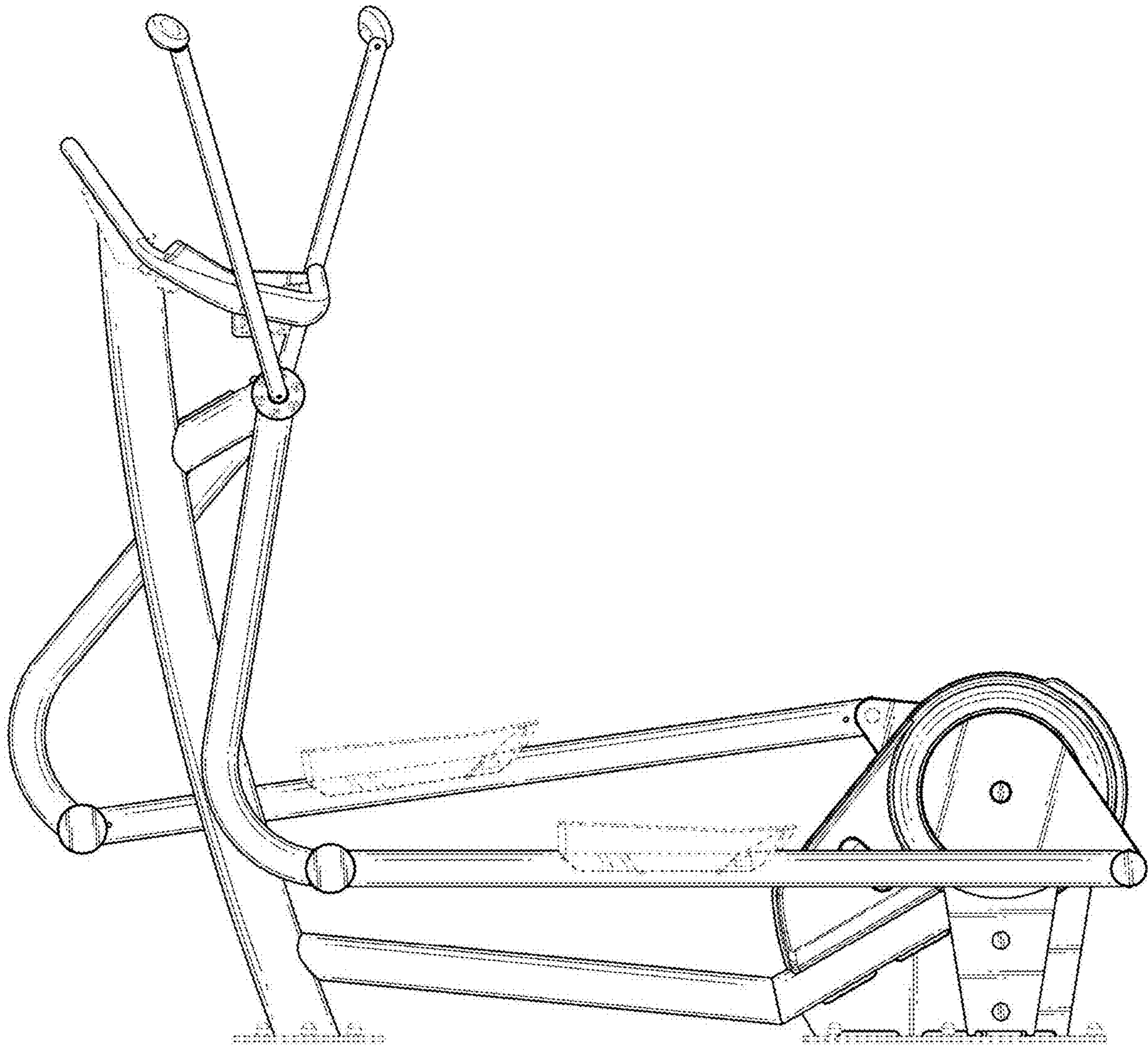
1.3



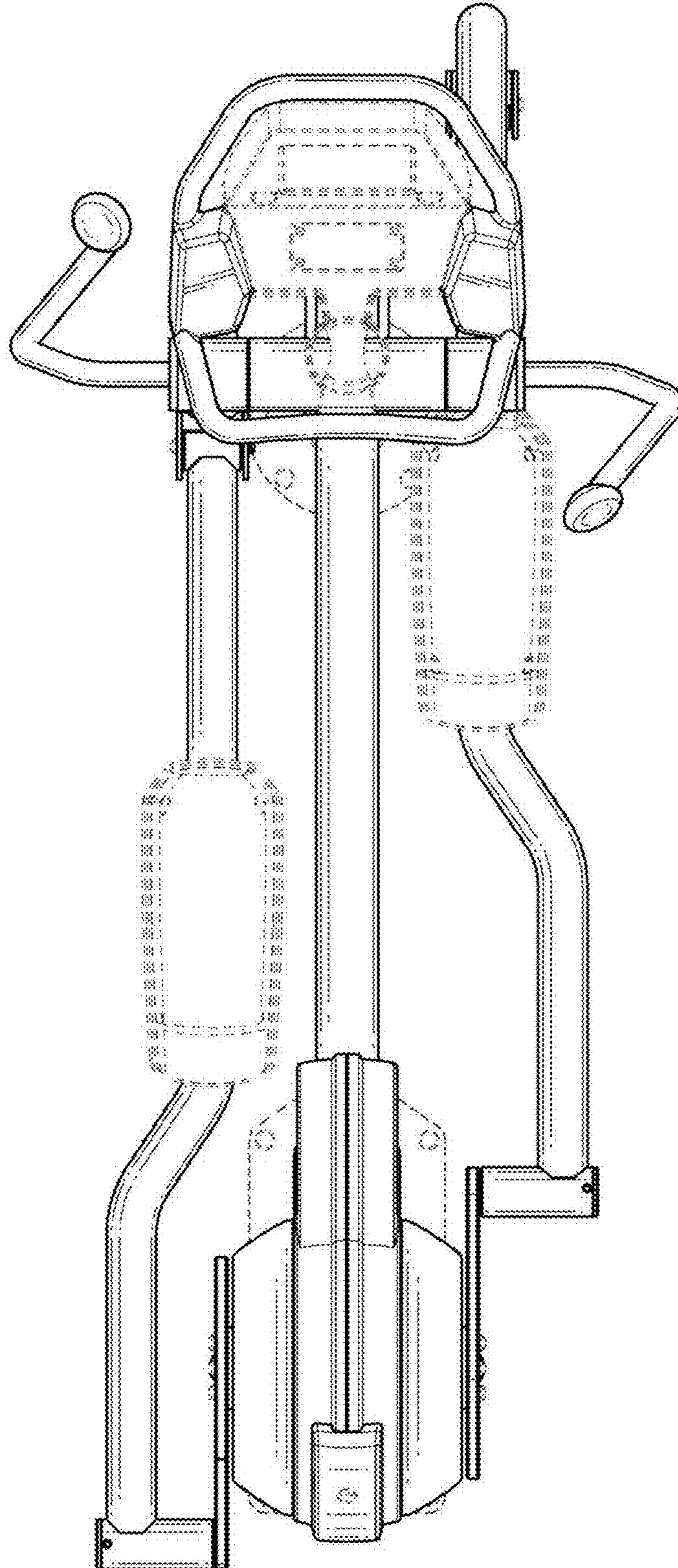
1.4



1.5



1.6



1.7

