



US00D912165S

(12) **United States Design Patent**
Deutsch

(10) **Patent No.:** **US D912,165 S**
(45) **Date of Patent:** **** Mar. 2, 2021**

- (54) **STUFFED ANIMAL**
- (71) Applicant: **Bingo Deals Corp.**, Newburgh, NY
(US)
- (72) Inventor: **Jacob Deutsch**, Highland Mills, NY
(US)
- (73) Assignee: **Bingo Deals Corp.**, Newburgh, NY
(US)
- (**) Term: **15 Years**
- (21) Appl. No.: **29/755,359**
- (22) Filed: **Oct. 20, 2020**

- D147,988 S * 11/1947 Pierce D21/616
- D324,302 S * 3/1992 Schneck D21/616
- D406,717 S * 3/1999 Rosenstadt D21/616
- D499,455 S * 12/2004 Oberhofer D21/616
- D570,929 S * 6/2008 Gibson D21/595
- D604,085 S * 11/2009 Wen D21/616

(Continued)

Primary Examiner — Sandra L Morris

(74) *Attorney, Agent, or Firm* — Bochner IP; Andrew D. Bochner

(57) **CLAIM**

The ornamental design for a stuffed animal, as shown and described.

DESCRIPTION

FIG. 1 is a top, front, left side perspective view of the stuffed animal with a zipper in a closed position;
 FIG. 2 is a bottom, rear, left side perspective view thereof;
 FIG. 3 is a front view thereof;
 FIG. 4 is a rear view thereof;
 FIG. 5 is a left side view thereof;
 FIG. 6 is a right side view thereof;
 FIG. 7 is a top thereof;
 FIG. 8 is a bottom view thereof;
 FIG. 9 is a top, front, left side perspective view of the stuffed animal with the zipper in an open position, illustrating environment;
 FIG. 10 is a top, front, left side perspective view of the stuffed animal with the zipper in an open position;
 FIG. 11 is an additional top, front, left side perspective view of the stuffed animal with the zipper in an open position, illustrating environment; and,
 FIG. 12 is a front view of the second embodiment of the stuffed animal with a transparent trunk and illustrating environment.

In the drawings, the broken lines are for the purpose of illustrating environment only, and form no part of the claimed design.

1 Claim, 9 Drawing Sheets

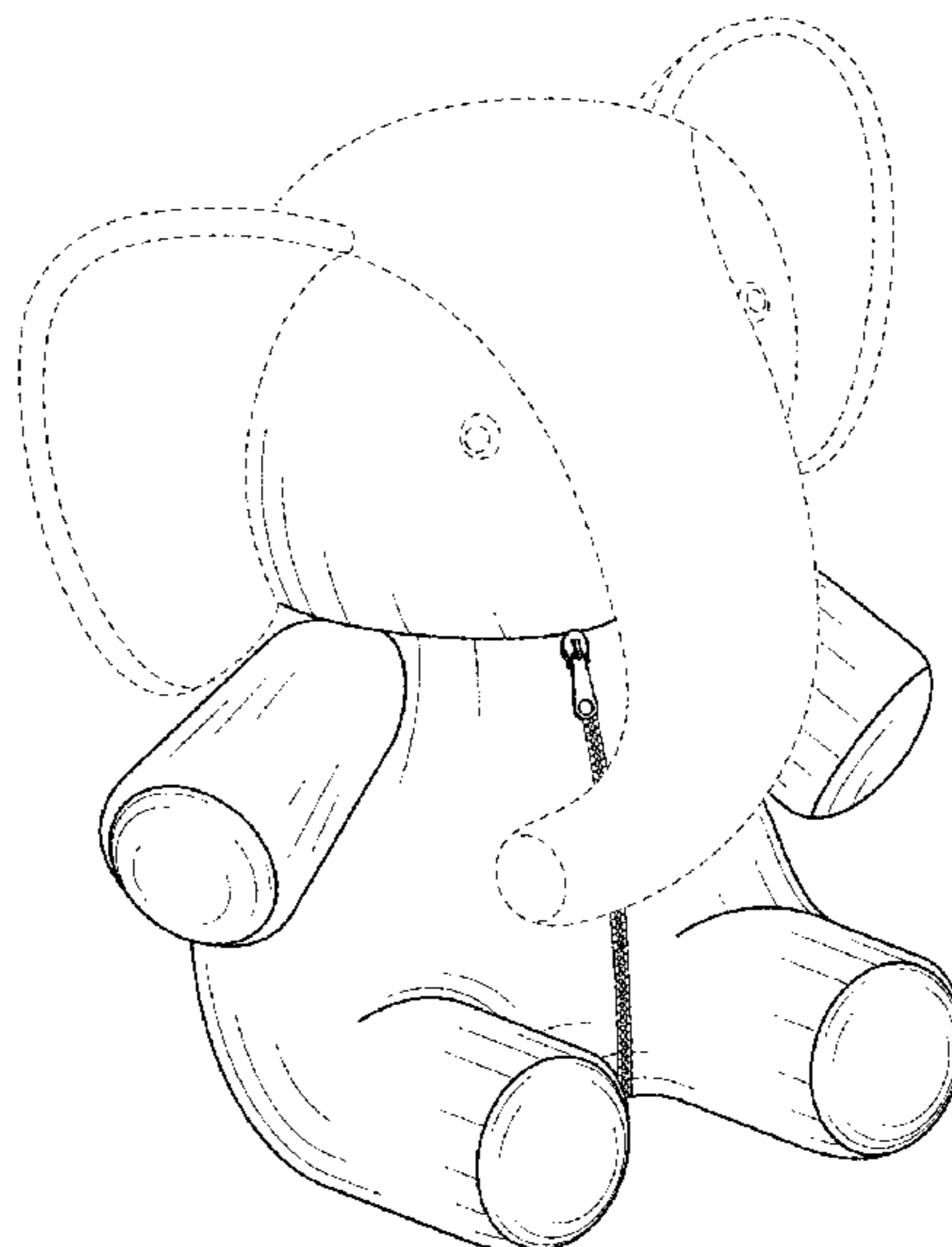
Related U.S. Application Data

- (63) Continuation of application No. 29/741,006, filed on Jul. 9, 2020, now Pat. No. Des. 903,014.
- (51) **LOC (13) Cl.** **21-01**
- (52) **U.S. Cl.**
USPC **D21/616**
- (58) **Field of Classification Search**
USPC D6/598; D11/158–159, 162;
D21/576–596, 616, 658; 180/8.6;
D3/211, 235, 270–271.2; D9/602–604
CPC ... A63H 3/00; A63H 3/02; A63H 3/04; A63H
3/16; A63H 3/28; A63H 3/36; A63H
7/06; A63H 11/00; A63H 11/10; A63H
11/20; A63H 11/205; A63H 13/00; A63H
13/02; A63H 33/04; A63H 33/08; A63H
33/042; A63H 23/10; A63H 5/00
See application file for complete search history.

(56) **References Cited**

U.S. PATENT DOCUMENTS

- 1,543,351 A * 6/1925 Webb A63H 3/00
446/369
- D83,930 S * 4/1931 Slesinger D21/616



(56)

References Cited

U.S. PATENT DOCUMENTS

D610,631 S *	2/2010	Brown	D21/595
D658,241 S *	4/2012	Ahrendsen	D21/658
D701,273 S *	3/2014	Stewart	D21/600
D810,841 S *	2/2018	Tsuji	D21/658
D825,692 S *	8/2018	Tsuji	D21/658
D828,466 S *	9/2018	Tsuji	D21/658
D832,377 S *	10/2018	Tsuji	D21/658
D832,378 S *	10/2018	Tsuji	D21/658
D863,460 S *	10/2019	Sarkar	D21/616

* cited by examiner



FIG. 1

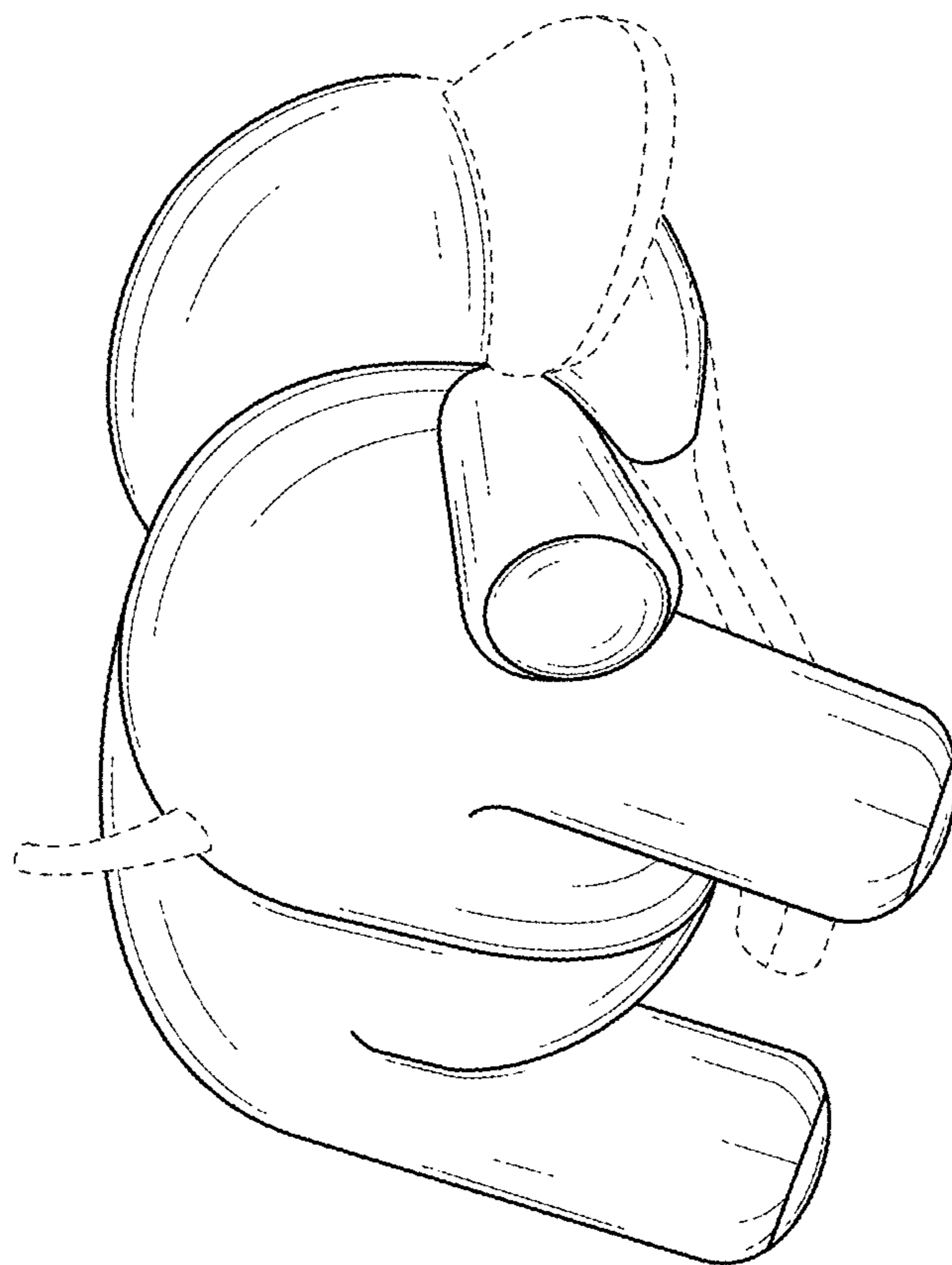


FIG. 2

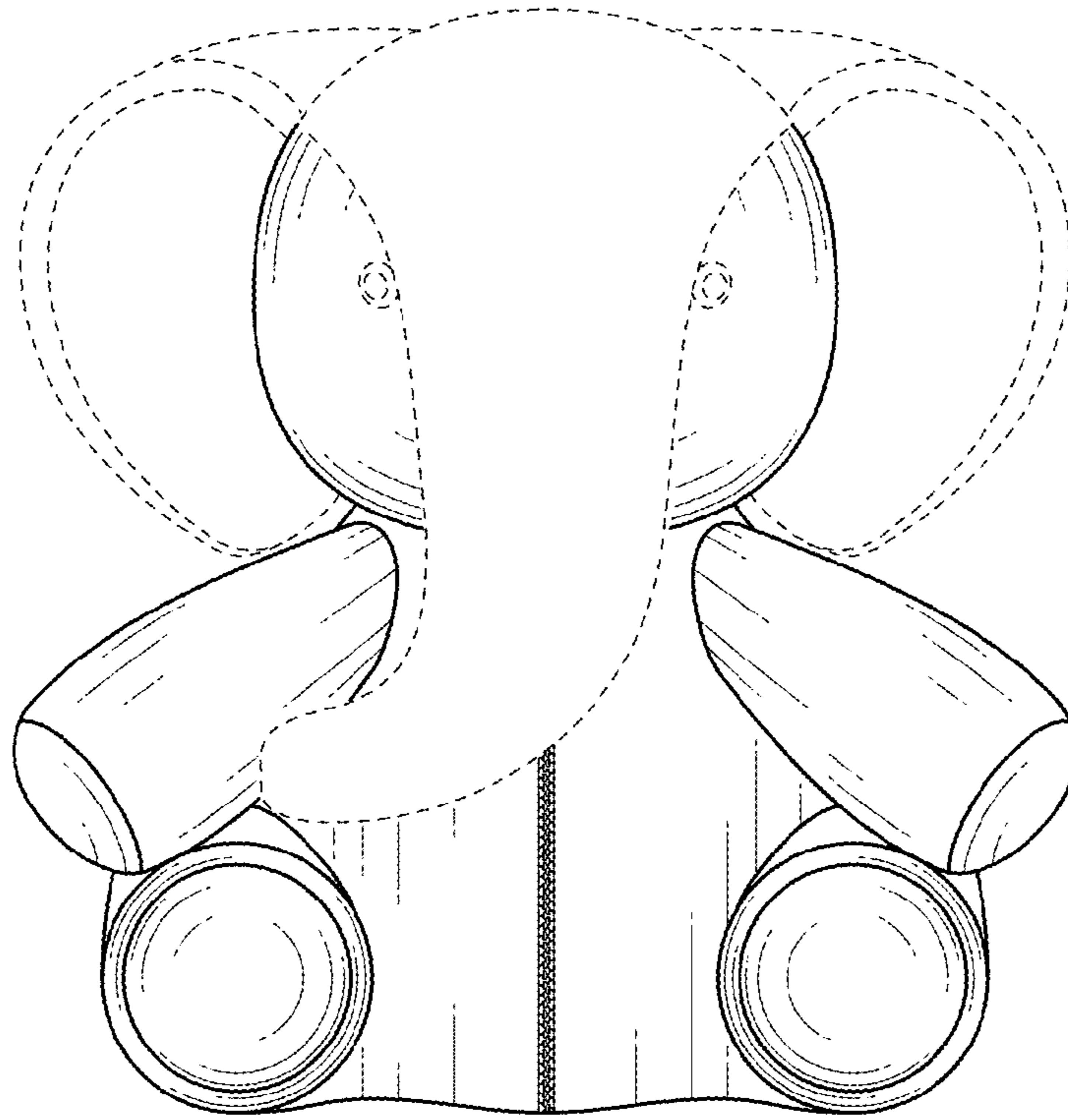


FIG. 3

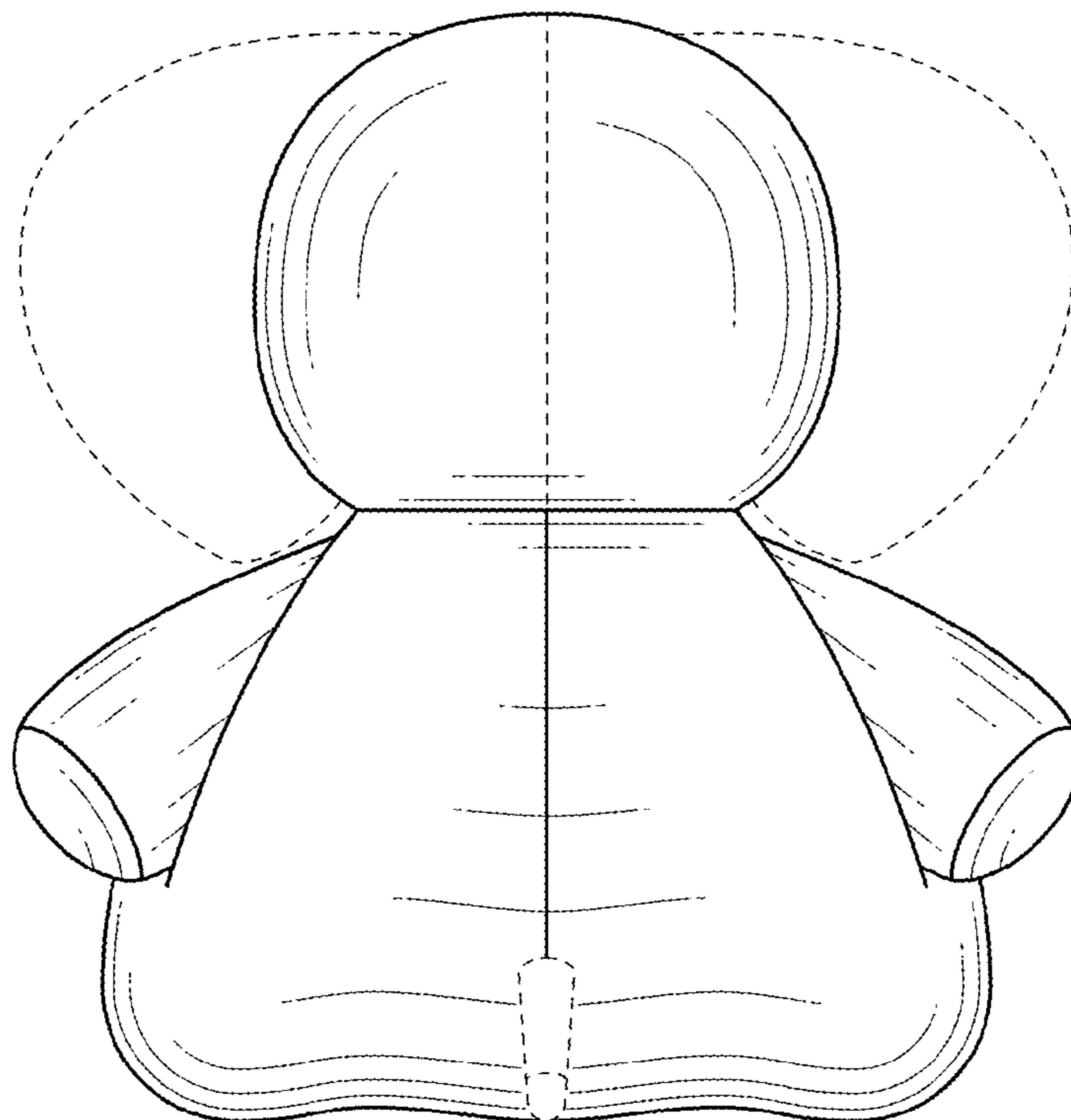


FIG. 4

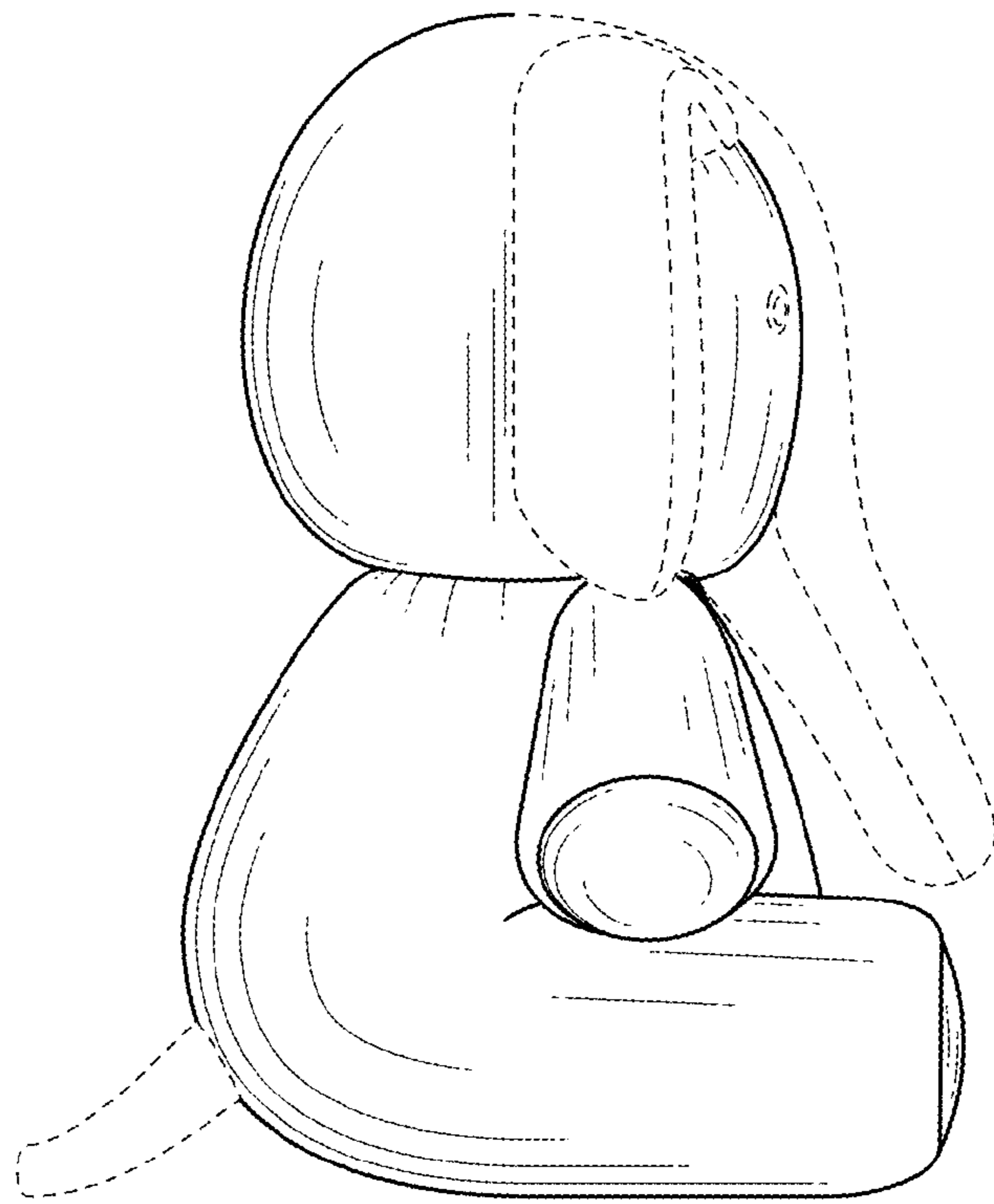


FIG. 5

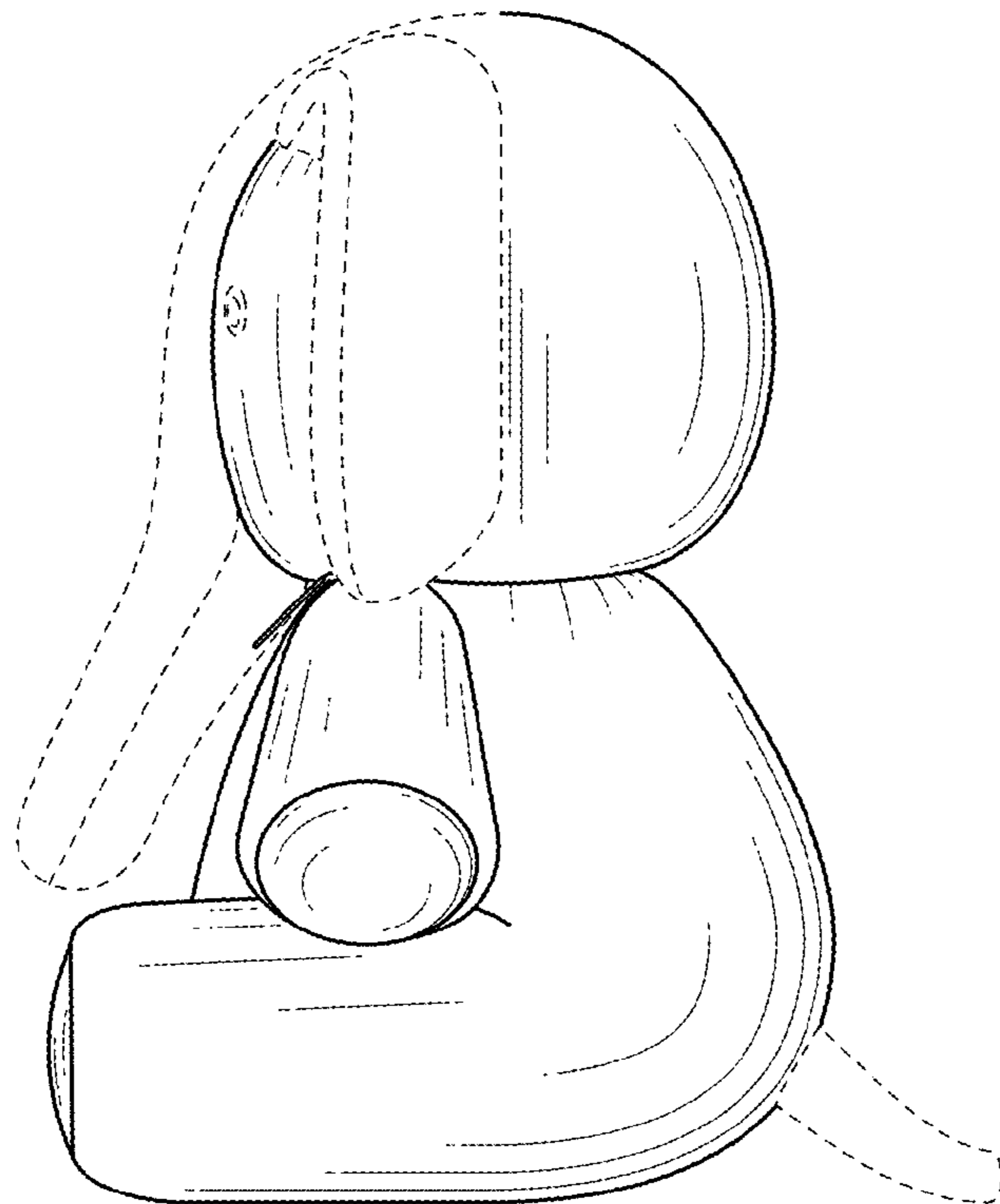


FIG. 6

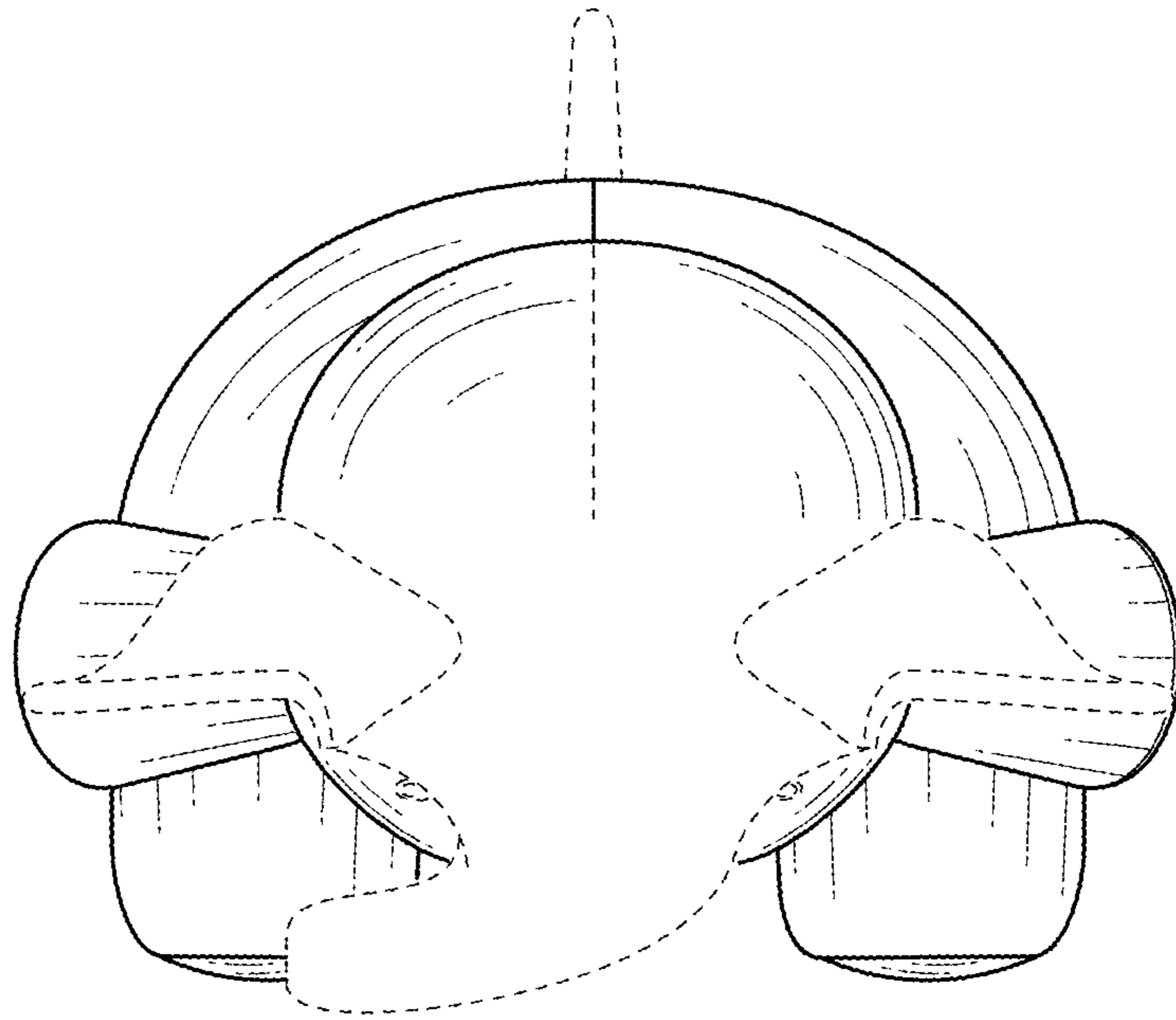


FIG. 7

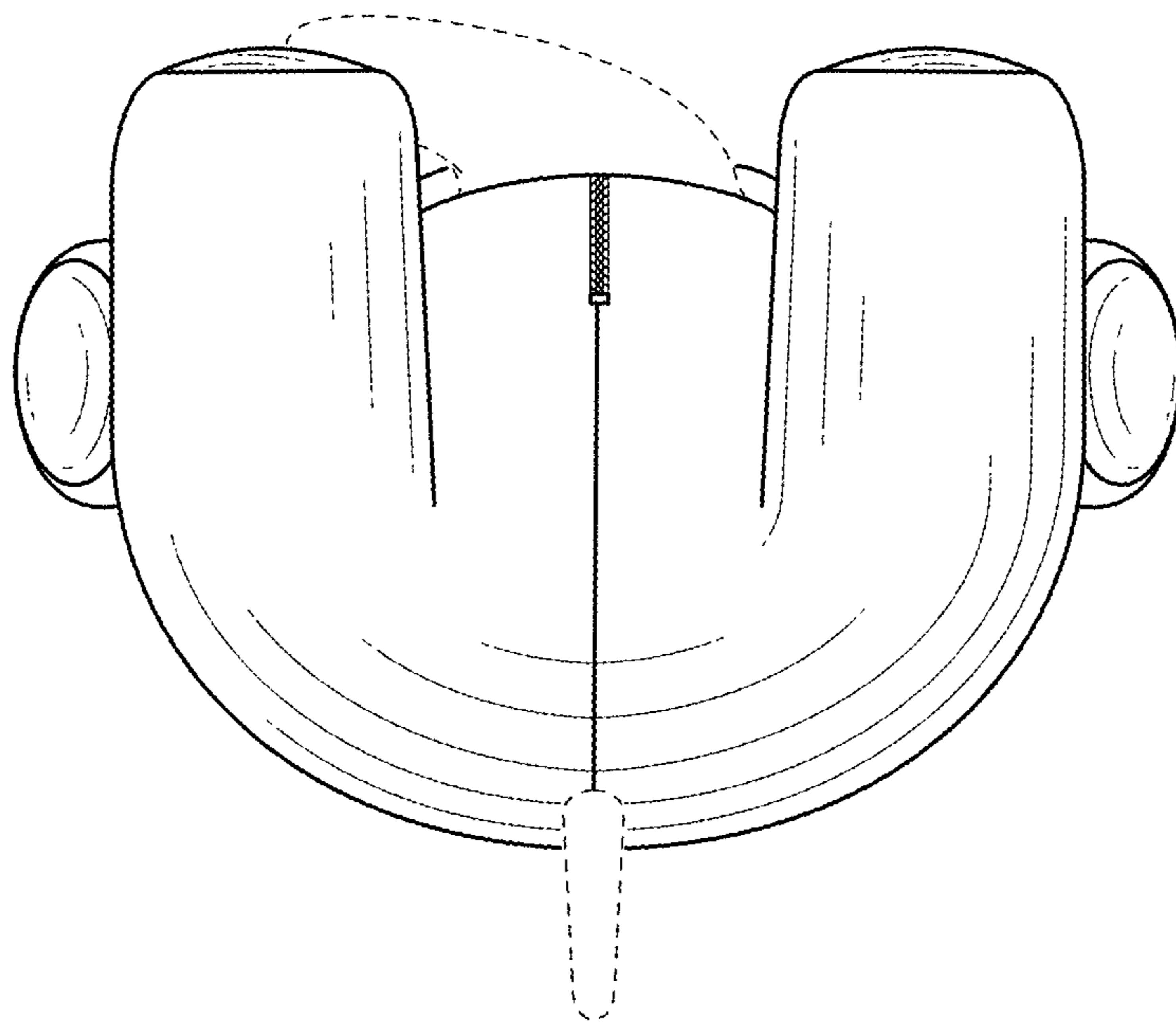


FIG. 8

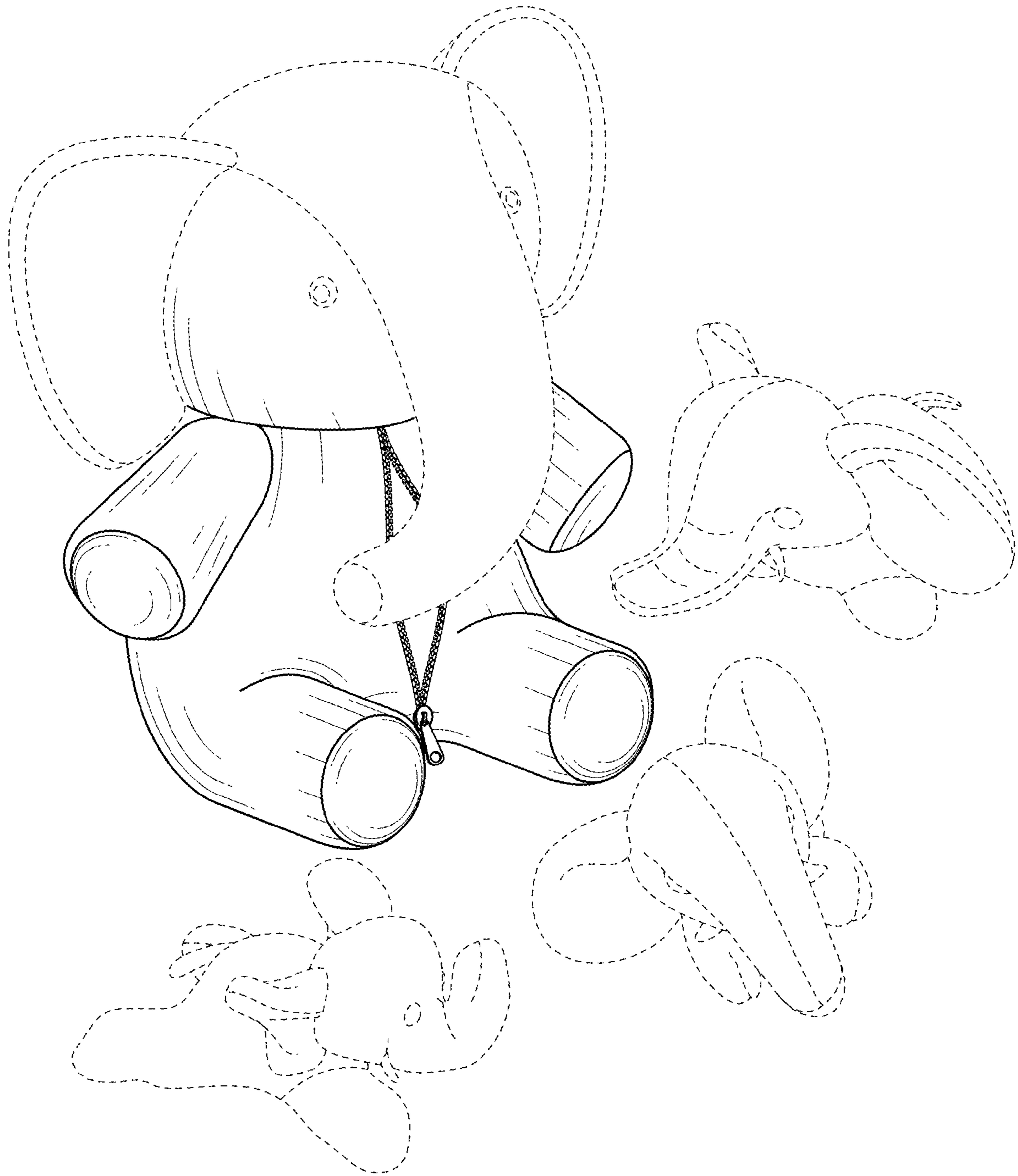


FIG. 9



FIG. 10



FIG. 11

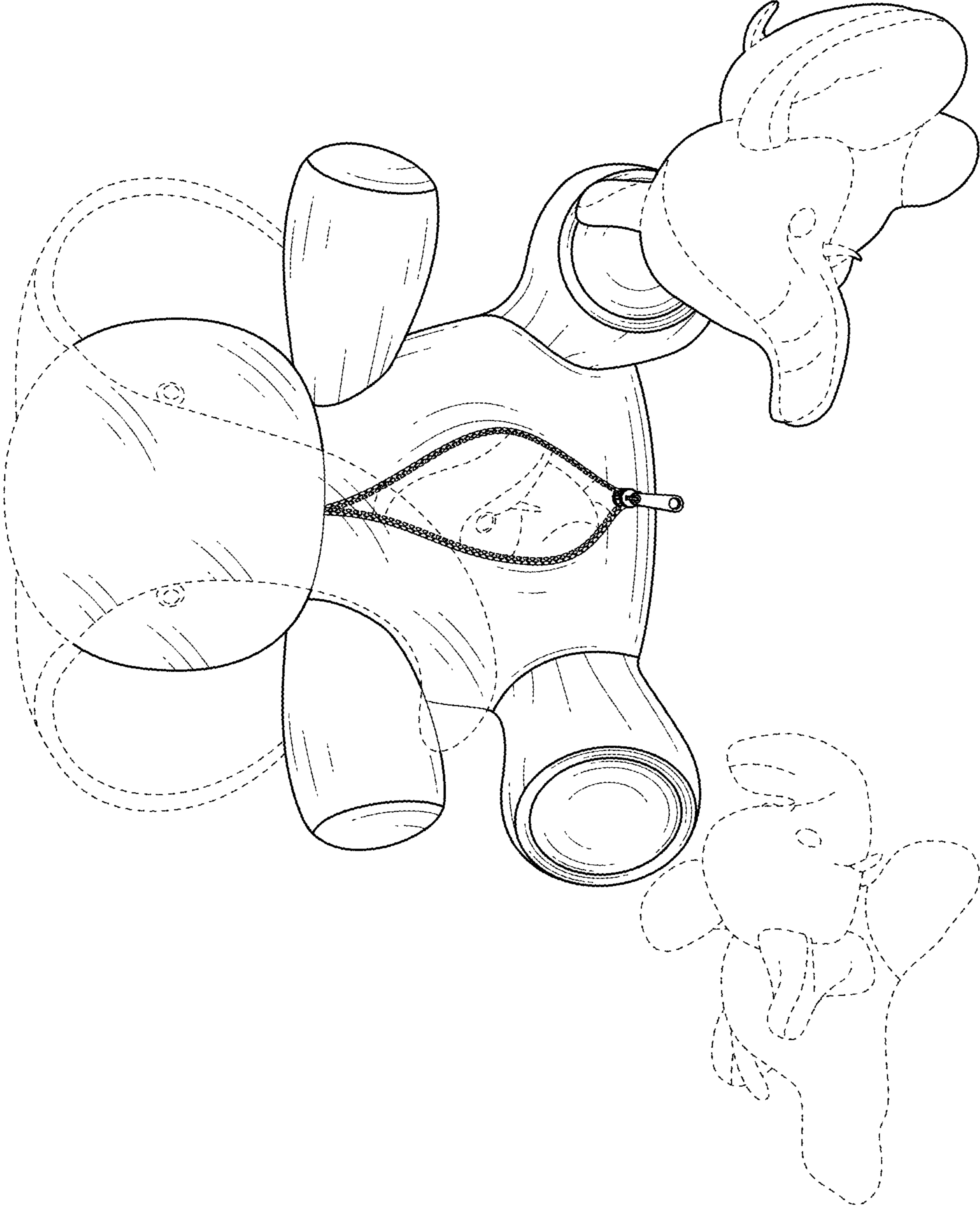


FIG. 12