



US00D912163S

(12) **United States Design Patent** (10) **Patent No.:** **US D912,163 S**  
**De Wilde** (45) **Date of Patent:** **\*\* Mar. 2, 2021**

(54) **TOY CONSTRUCTION ELEMENT**

(71) Applicant: **Jarola Vision B.V.**, Lutten (NL)  
(72) Inventor: **Gerrit Jan De Wilde**, Anerveen (NL)  
(73) Assignee: **Jarola Vision B.V.**, Lutten (NL)  
(\*\*) Term: **15 Years**

(21) Appl. No.: **29/672,510**  
(22) Filed: **Dec. 6, 2018**

**Related U.S. Application Data**

(62) Division of application No. 29/606,052, filed on Jun. 1, 2017, now Pat. No. Des. 844,715.

(30) **Foreign Application Priority Data**

Dec. 2, 2016 (EM) ..... 003495654-0001  
Dec. 2, 2016 (EM) ..... 003495654-0002  
Dec. 2, 2016 (EM) ..... 003495654-0003  
Dec. 2, 2016 (EM) ..... 003495654-0004  
Dec. 2, 2016 (EM) ..... 003495654-0005  
Dec. 2, 2016 (EM) ..... 003495654-0006  
Dec. 2, 2016 (EM) ..... 003495654-0007  
Dec. 2, 2016 (EM) ..... 003495654-0008  
Dec. 2, 2016 (EM) ..... 003495654-0009  
Dec. 2, 2016 (EM) ..... 003495654-0010  
Dec. 2, 2016 (EM) ..... 003495654-0012  
Dec. 2, 2016 (EM) ..... 003495654-0014

(Continued)

(51) **LOC (13) Cl.** ..... **21-01**  
(52) **U.S. Cl.**  
USPC ..... **D21/484**  
(58) **Field of Classification Search**  
USPC ..... D8/354; D21/484, 486-488, 493-495,  
D21/497-505; D25/35, 61, 199  
(Continued)

(56) **References Cited**

U.S. PATENT DOCUMENTS

1,958,508 A \* 5/1934 Audet ..... A63H 33/088  
446/184  
2,609,638 A \* 9/1952 Lindenmeyer ..... A63H 33/107  
446/126

(Continued)

FOREIGN PATENT DOCUMENTS

CN 303298907 7/2015  
CN 303956882 12/2016

(Continued)

OTHER PUBLICATIONS

<http://licensingmagazine.com/2017/02/08/new-twicktto-construction-toys/?lang=en> Posted Feb. 8, 2017 (Year: 2017).

(Continued)

*Primary Examiner* — Leanne Was-Englehart  
(74) *Attorney, Agent, or Firm* — Cook Alex Ltd.

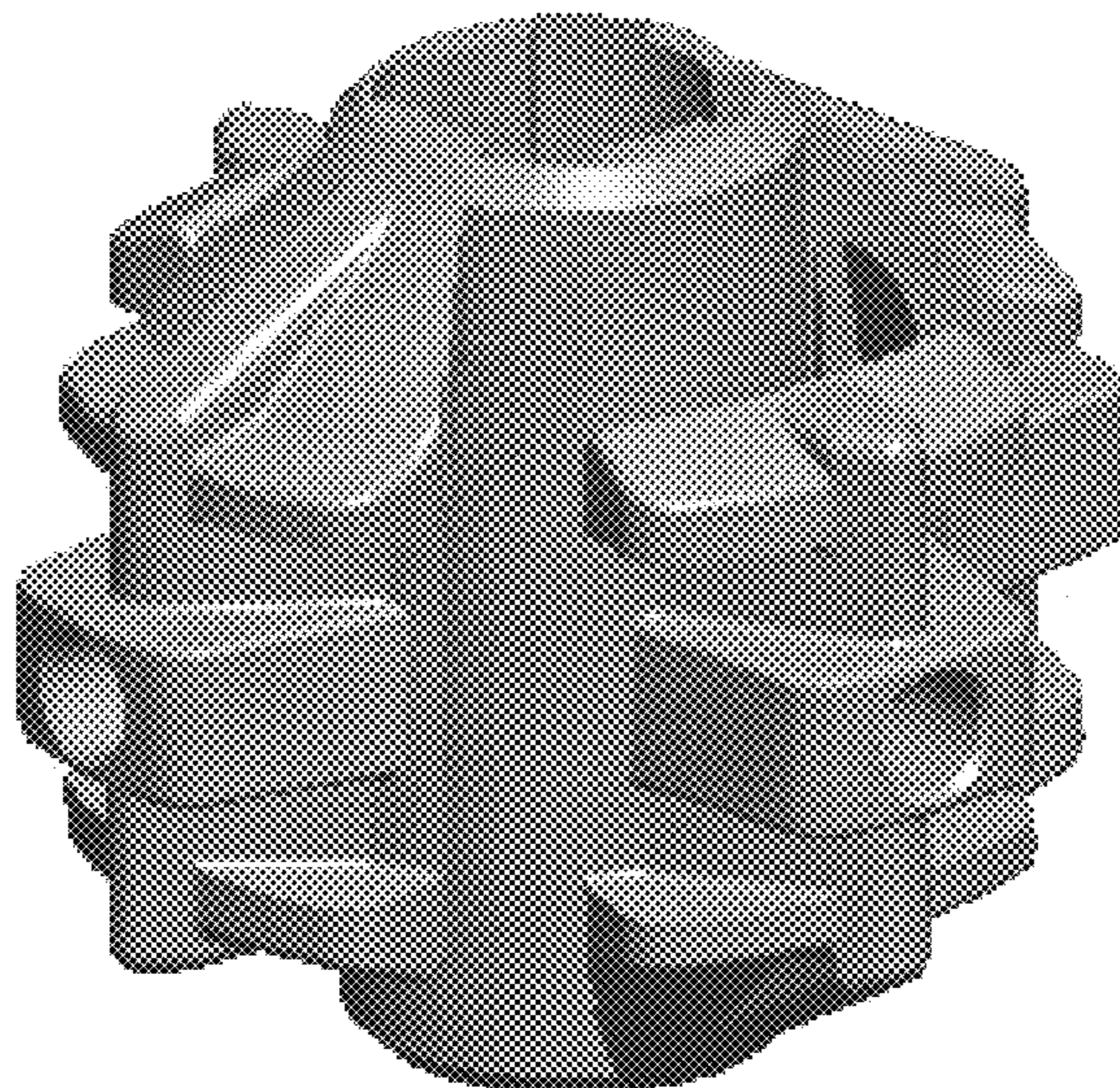
(57) **CLAIM**

The ornamental design for a toy construction element, as shown and described.

**DESCRIPTION**

FIG. 1 is a top perspective view of a toy construction element;  
FIG. 2 is a bottom perspective view of the embodiment of FIG. 1;  
FIG. 3 is a side elevational view of the embodiment of FIG. 1, the side elevational view 180° from FIG. 3 being identical to FIG. 3, the two side elevational views 90° from FIG. 3 being an inversion of the embodiment of FIG. 3 and identical to one another; and,  
FIG. 4 is a top plan view of FIG. 1, the bottom plan view being identical to FIG. 4.

**1 Claim, 1 Drawing Sheet**



(30) Foreign Application Priority Data

Dec. 2, 2016 (EM) ..... 003495654-0016  
 Dec. 2, 2016 (EM) ..... 003495654-0017

(58) Field of Classification Search

CPC ..... F16B 12/10; F16B 12/26; F16B 12/40;  
 A63H 33/04; A63H 33/06; A63H 33/08;  
 A63H 33/12; A63H 33/101; A63H  
 33/102; A63H 33/107; A63H 33/108;  
 A63H 33/042; A63H 33/088; A63H  
 33/086; A63H 33/062; A63H 33/082;  
 A63H 33/084; A63H 17/36

See application file for complete search history.

(56) References Cited

U.S. PATENT DOCUMENTS

D254,752 S \* 4/1980 Gabriel ..... D21/486  
 5,071,384 A \* 12/1991 Poulsen ..... A63H 17/36  
 446/103  
 5,372,450 A \* 12/1994 Blodgett ..... A63H 33/10  
 403/171  
 D364,199 S \* 11/1995 Schmidt ..... D21/488  
 5,599,221 A \* 2/1997 Gabriel ..... A63H 33/10  
 446/124  
 D394,681 S \* 5/1998 Pagel ..... D21/495  
 D395,469 S \* 6/1998 Glickman ..... D21/484  
 5,826,394 A \* 10/1998 Barton, Jr. .... A63H 33/044  
 52/592.1  
 D403,028 S \* 12/1998 Barton, Jr. .... D21/486  
 D410,044 S \* 5/1999 Krog ..... D21/503  
 D415,538 S \* 10/1999 Krog ..... D21/488  
 6,301,747 B1 \* 10/2001 Parein ..... A63H 33/062  
 16/260  
 6,672,931 B1 \* 1/2004 Bagley ..... A63H 33/08  
 446/106  
 6,702,640 B1 \* 3/2004 Park ..... A63H 33/04  
 446/105  
 D516,635 S \* 3/2006 Kim ..... D21/500  
 D551,304 S \* 9/2007 Manvelian ..... D21/484  
 7,553,209 B1 \* 6/2009 Sorensen ..... A63H 33/06  
 446/124  
 D605,236 S \* 12/2009 Sinisi ..... D21/502  
 D610,628 S \* 2/2010 Christensen ..... D21/484  
 D660,664 S \* 5/2012 Hsu ..... D8/25  
 8,540,545 B2 \* 9/2013 Leicht ..... A63H 33/106  
 446/118  
 D706,362 S \* 6/2014 Norman ..... D21/487  
 D706,877 S \* 6/2014 Norman ..... D21/487  
 D711,972 S \* 8/2014 Norman ..... D21/487  
 D711,973 S \* 8/2014 Norman ..... D21/487  
 D712,487 S \* 9/2014 Strand ..... D21/484

D712,488 S \* 9/2014 Strand ..... D21/484  
 D715,873 S \* 10/2014 Norman ..... D21/486  
 D720,408 S \* 12/2014 Webb ..... D21/484  
 D721,406 S \* 1/2015 Webb ..... D21/484  
 D724,676 S \* 3/2015 Winkelmann ..... D21/484  
 9,017,133 B2 \* 4/2015 Rolf ..... A63H 33/086  
 446/118  
 D755,902 S \* 5/2016 Chen ..... D21/484  
 D757,860 S \* 5/2016 Cochella ..... D21/484  
 D762,267 S \* 7/2016 Glasband ..... D21/484  
 D777,846 S \* 1/2017 Greaves ..... D21/578  
 9,664,222 B2 \* 5/2017 Evitt ..... A47B 47/005  
 D805,656 S \* 12/2017 Huizinga ..... D25/61  
 D835,728 S \* 12/2018 Clemmer ..... D21/484  
 D837,900 S \* 1/2019 Lاراignou ..... D21/484  
 D844,715 S \* 4/2019 De Wilde ..... D21/484  
 2005/0272301 A1 \* 12/2005 Bruder ..... A63H 33/107  
 439/409  
 2007/0264901 A1 \* 11/2007 Sisamos ..... A63H 33/062  
 446/90  
 2008/0267696 A1 \* 10/2008 De Wilde ..... F16B 12/10  
 403/170  
 2009/0004946 A1 \* 1/2009 Sinisi ..... A63H 33/12  
 446/124  
 2009/0290932 A1 11/2009 Silbereisen et al.  
 2011/0039474 A1 \* 2/2011 Bruder ..... A63H 33/101  
 446/124  
 2013/0165012 A1 \* 6/2013 Klauber ..... A63H 33/10  
 446/91  
 2013/0195547 A1 \* 8/2013 De Wilde ..... A63H 33/101  
 403/330  
 2014/0273712 A1 \* 9/2014 Uttley ..... A63H 33/107  
 446/121  
 2015/0251104 A1 \* 9/2015 Lange ..... A63H 33/046  
 446/92  
 2018/0056207 A1 \* 3/2018 Bagley ..... A63H 33/084  
 2018/0154276 A1 \* 6/2018 Oh ..... A63H 33/108  
 2019/0134524 A1 \* 5/2019 De Wilde ..... A63H 17/262  
 2020/0009470 A1 \* 1/2020 Chiang ..... A63H 33/101  
 2020/0101396 A1 \* 4/2020 Pease ..... A63H 33/101

FOREIGN PATENT DOCUMENTS

DE 8332034 U1 2/1984  
 EM 003453430-0001 11/2016  
 WO WO 2000/057979 10/2000  
 WO WO 2007/035081 A1 3/2007  
 WO D079996-010 \* 2/2013

OTHER PUBLICATIONS

<http://business.twickto.com/assortment/theme-packs/construction/>  
 Uploaded Jan. 2017 (Year: 2017).

\* cited by examiner

FIG. 1

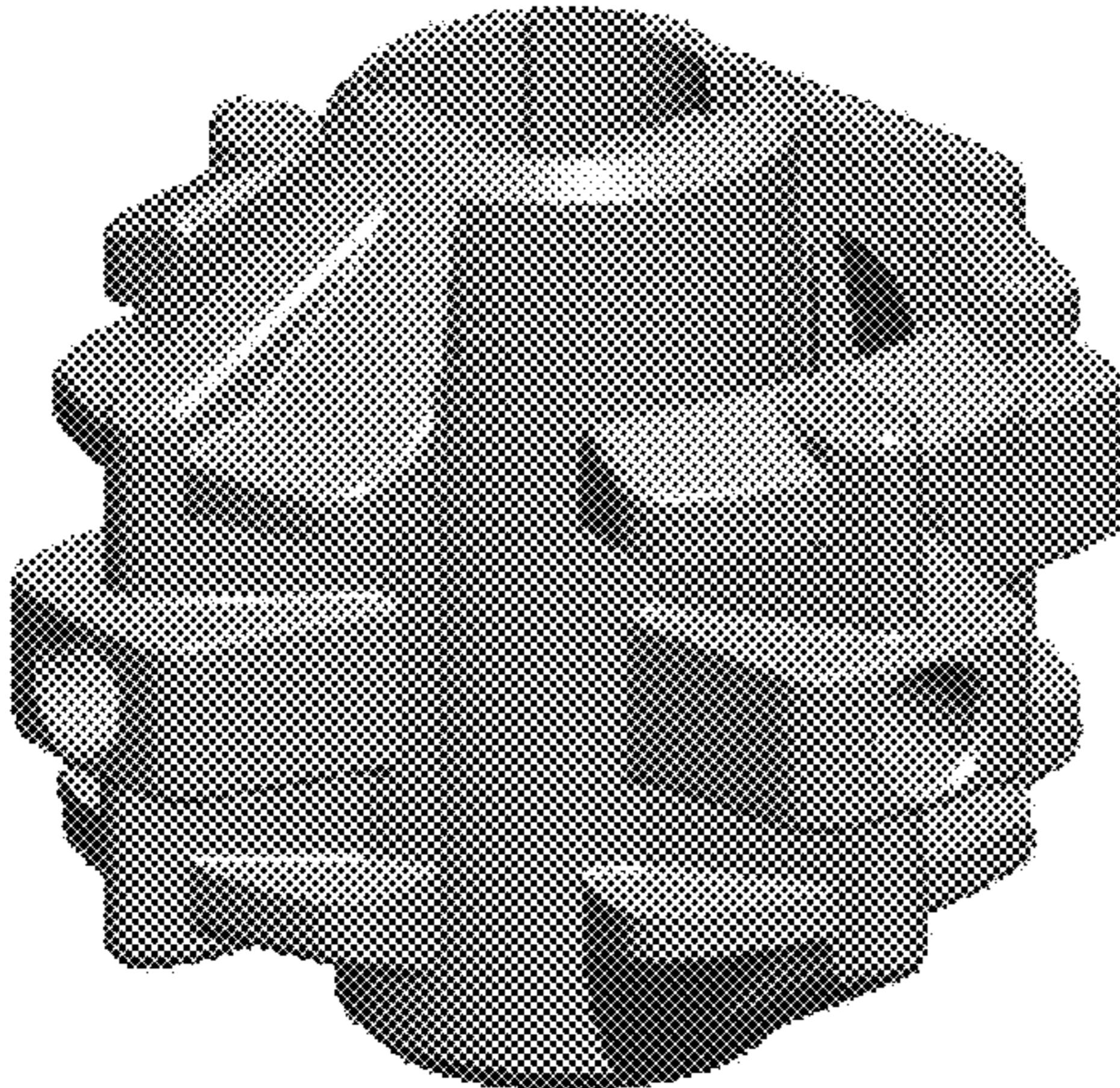


FIG. 2

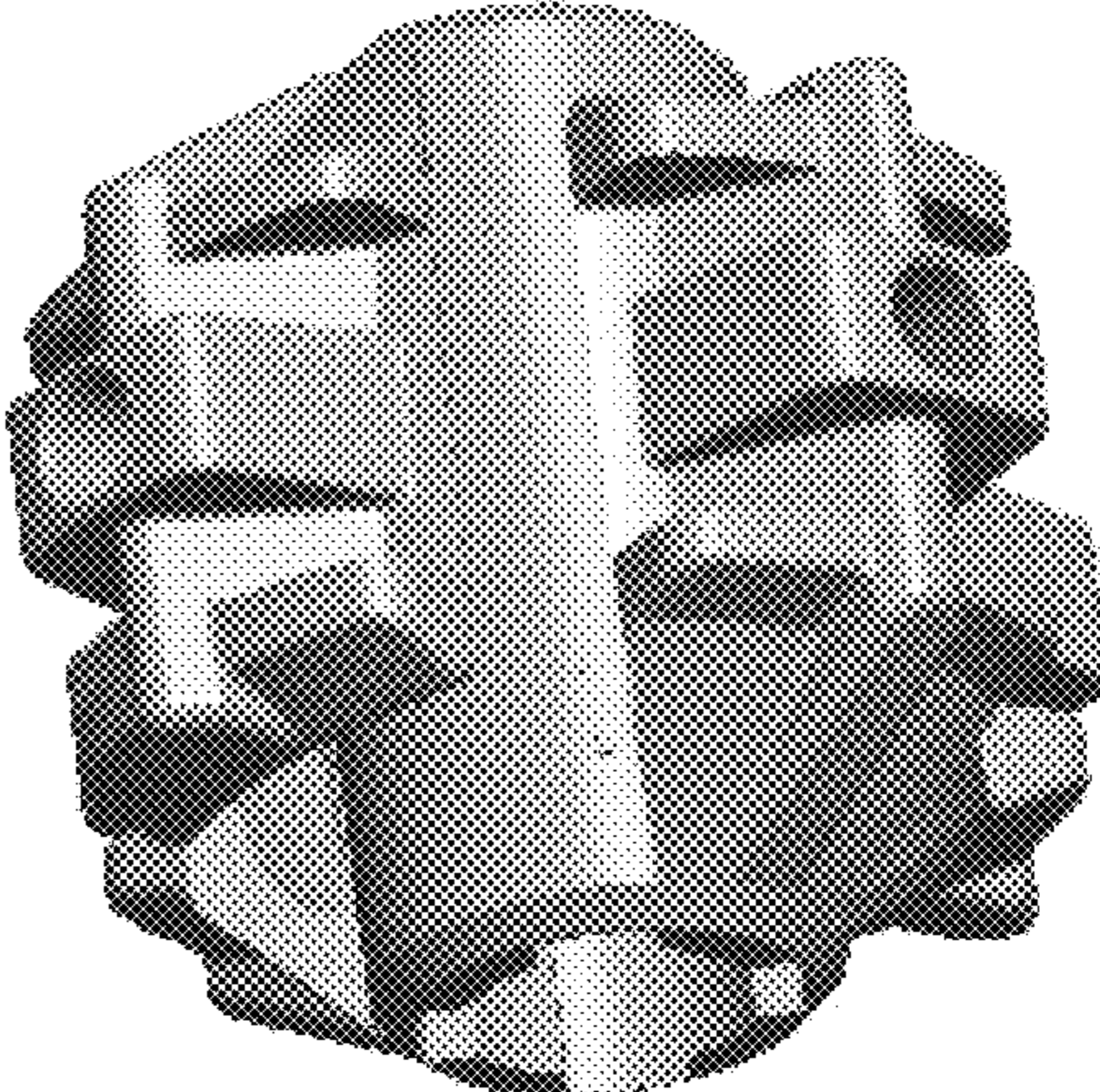


FIG. 3

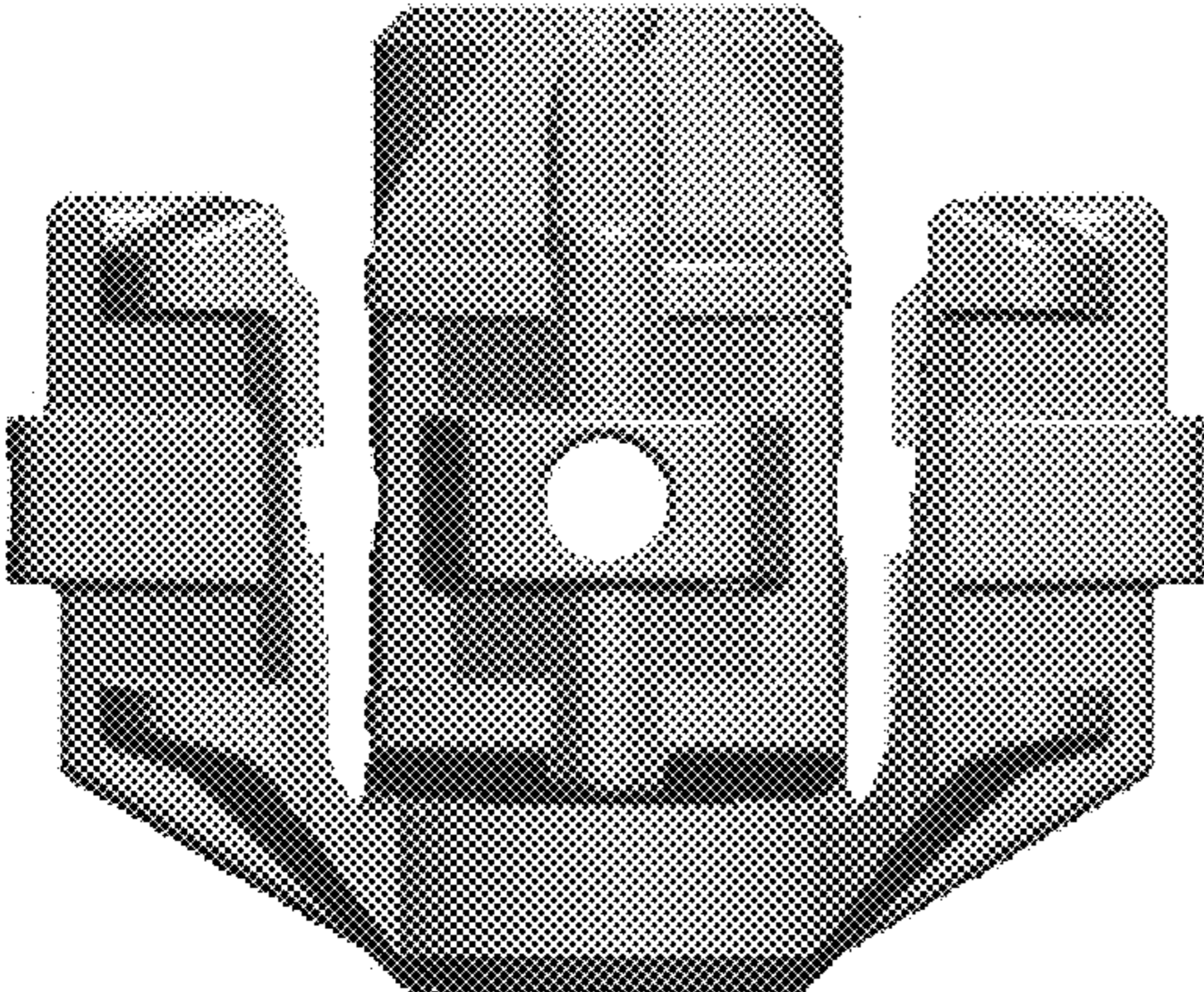


FIG. 4

