



US00D912159S

(12) **United States Design Patent**  
**Lee**

(10) **Patent No.:** **US D912,159 S**  
(45) **Date of Patent:** **\*\* Mar. 2, 2021**

(54) **ELECTRIC SCOOTER**

(71) Applicant: **LG ELECTRONICS INC.**, Seoul (KR)

(72) Inventor: **Euiseok Lee**, Seoul (KR)

(73) Assignee: **LG Electronics Inc.**, Seoul (KR)

(\*\*) Term: **15 Years**

(21) Appl. No.: **29/718,435**

(22) Filed: **Dec. 24, 2019**

(30) **Foreign Application Priority Data**

Jun. 25, 2019 (WO) ..... WIPO84905

(51) **LOC (13) Cl.** ..... **21-01**

(52) **U.S. Cl.**  
USPC ..... **D21/423**

(58) **Field of Classification Search**  
USPC ..... D21/419, 421, 423, 432, 435, 760, 763,  
D21/765, 771; D12/1, 110  
CPC ..... B62K 3/002; B62K 9/00; B62K 2202/00;  
B62K 15/00; B62K 2015/001; B62K  
2015/003; B60Y 2200/126  
See application file for complete search history.

(56) **References Cited**

**U.S. PATENT DOCUMENTS**

D829,826 S \* 10/2018 Liu ..... D21/423  
D834,097 S \* 11/2018 Lin ..... D21/423

D849,153 S \* 5/2019 Zhang ..... D21/423  
D858,647 S \* 9/2019 Liu ..... D21/423  
D872,191 S \* 1/2020 Lee ..... D21/423  
D886,907 S \* 6/2020 Gao ..... D21/423  
D897,446 S \* 9/2020 Lee ..... D21/423  
D900,237 S \* 10/2020 Lee ..... D21/423  
D905,793 S \* 12/2020 Yang ..... D21/423  
D905,794 S \* 12/2020 Liu ..... D21/423  
2020/0283086 A1 \* 9/2020 Ulmen ..... B62M 6/65

\* cited by examiner

*Primary Examiner* — Cynthia M. Chin

(74) *Attorney, Agent, or Firm* — Birch, Stewart, Kolasch & Birch, LLP

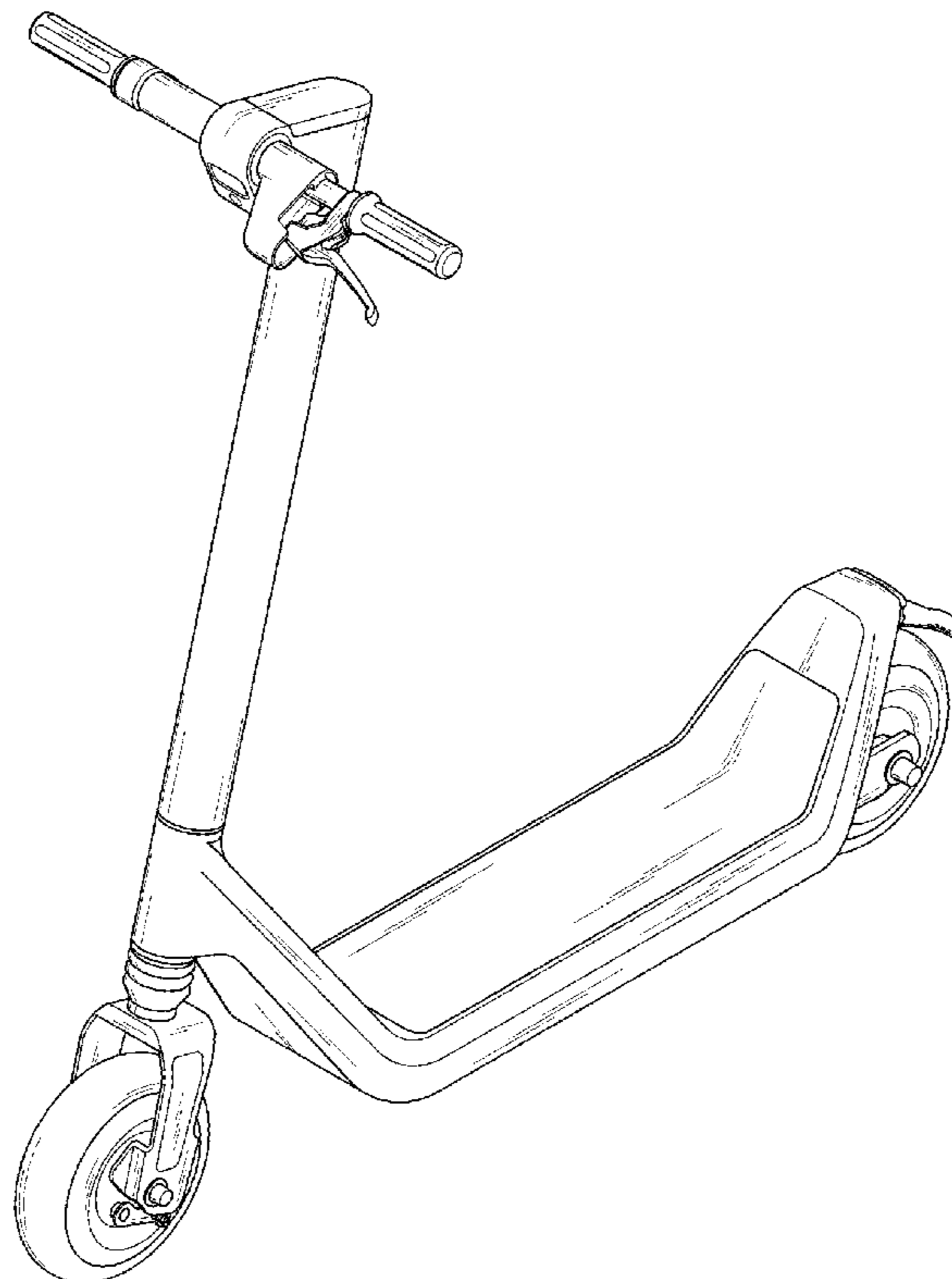
(57) **CLAIM**

I claim the ornamental design for an electric scooter, as shown and described.

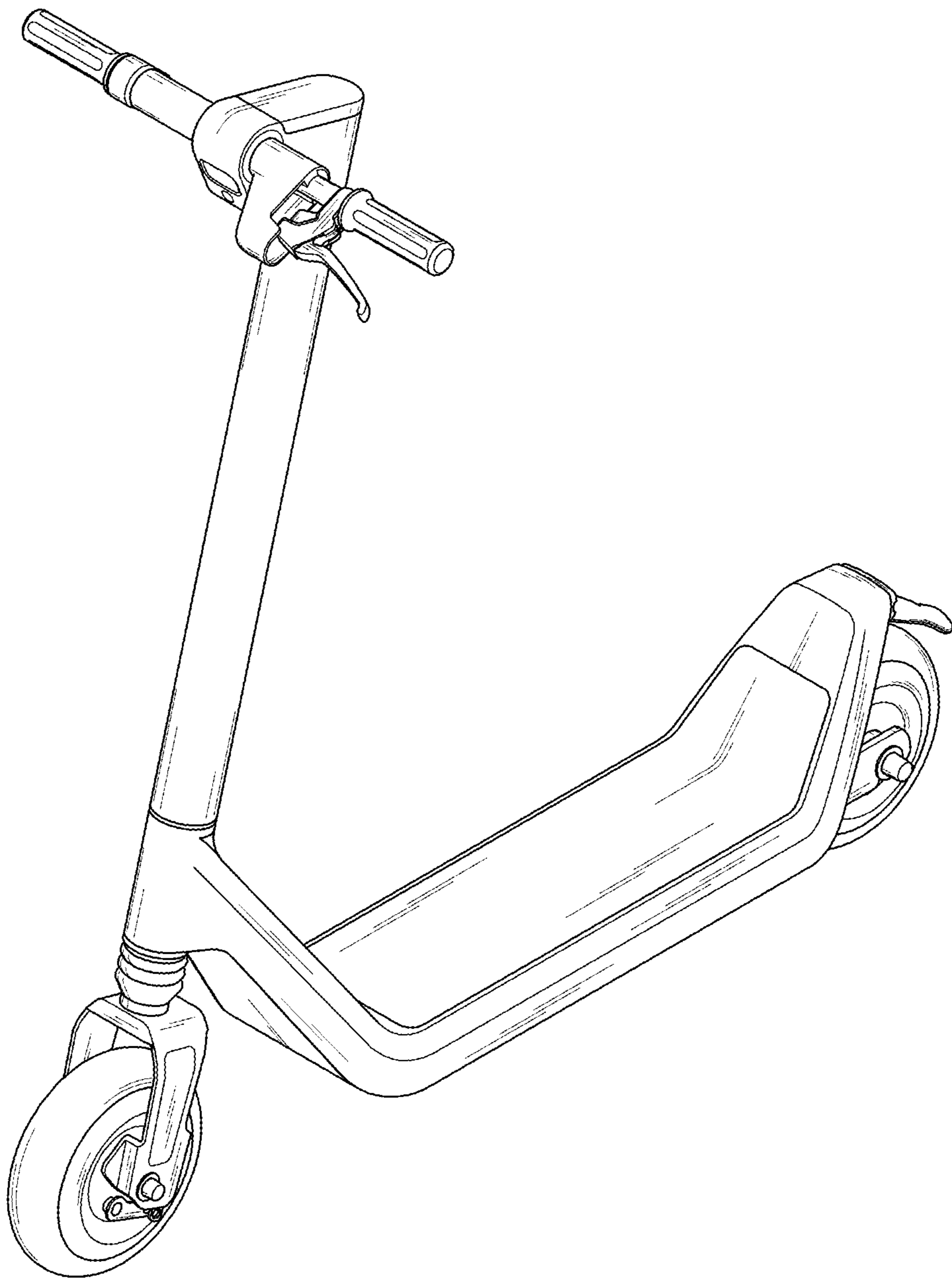
**DESCRIPTION**

FIG. 1 is a front perspective view of an electric scooter showing the new design;  
FIG. 2 is a front elevation view thereof;  
FIG. 3 is a rear elevation view thereof;  
FIG. 4 is a left-side elevation view thereof;  
FIG. 5 is a right-side elevation view thereof;  
FIG. 6 is a top plan view thereof;  
FIG. 7 is a bottom plan view thereof; and,  
FIG. 8 is a rear perspective view thereof.

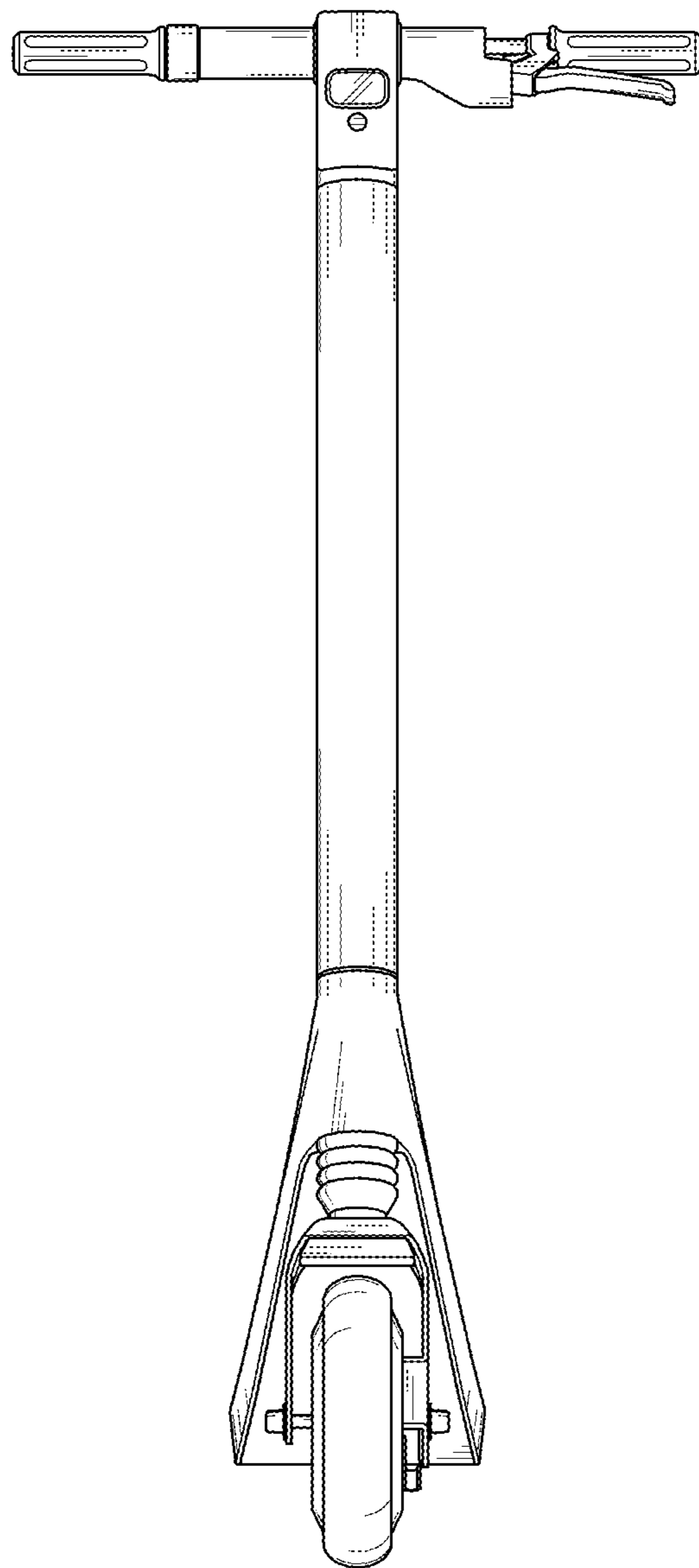
**1 Claim, 8 Drawing Sheets**



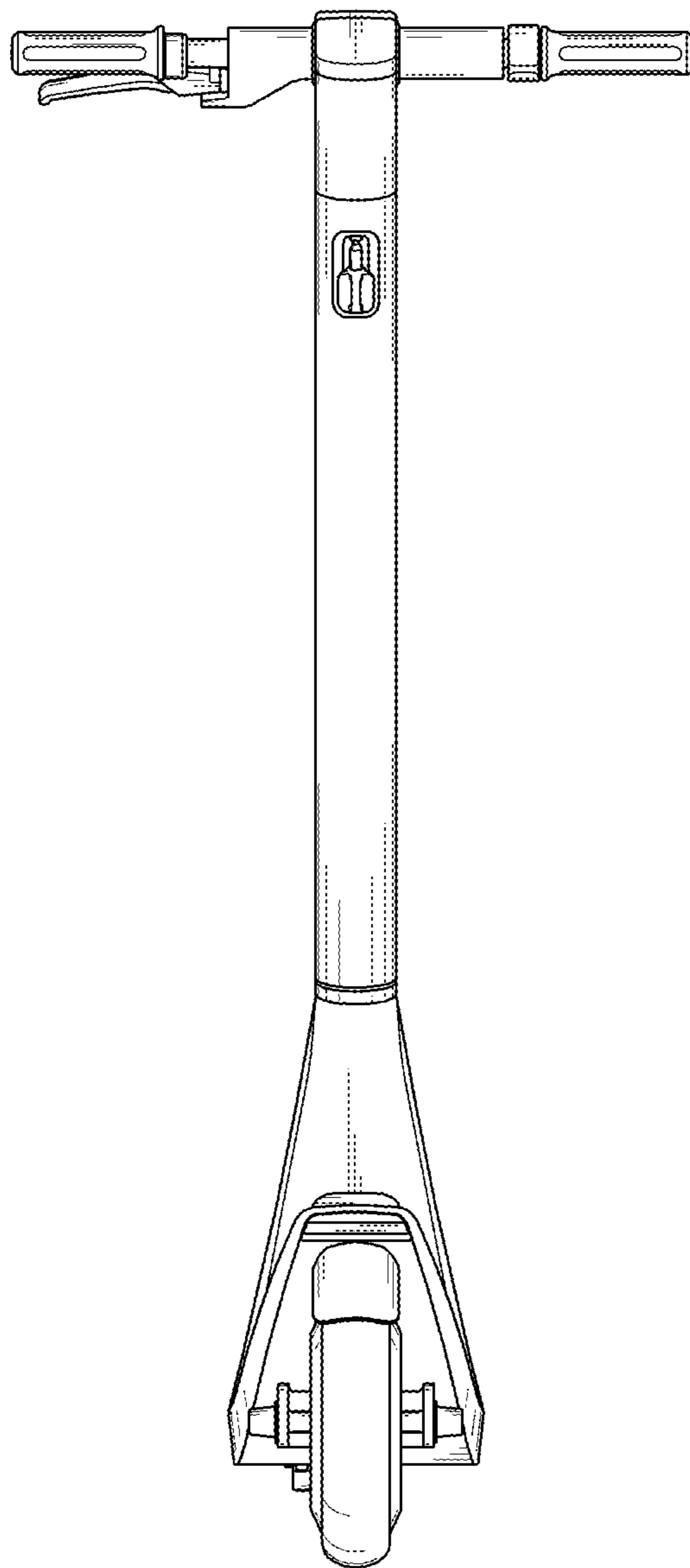
*FIG. 1*



*FIG. 2*



*FIG. 3*



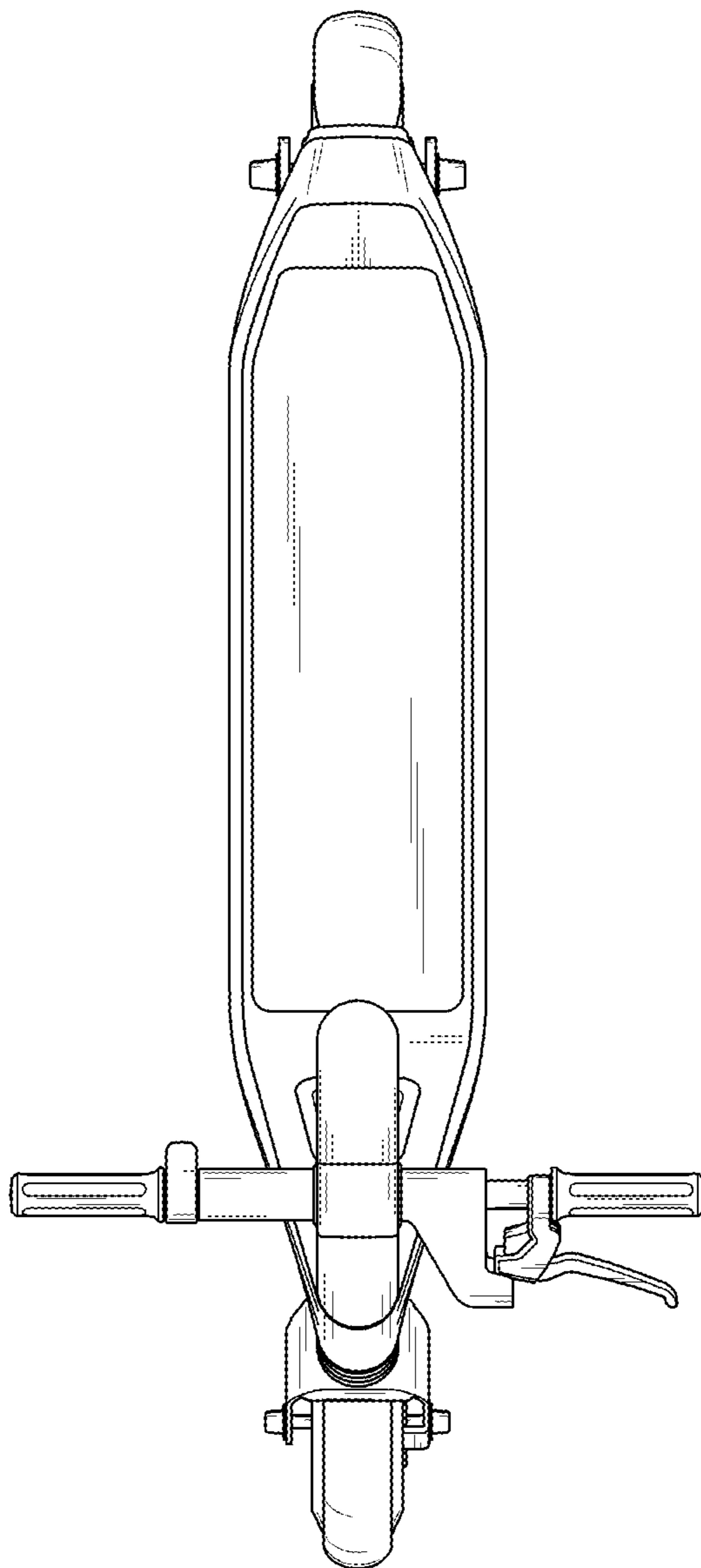
*FIG. 4*



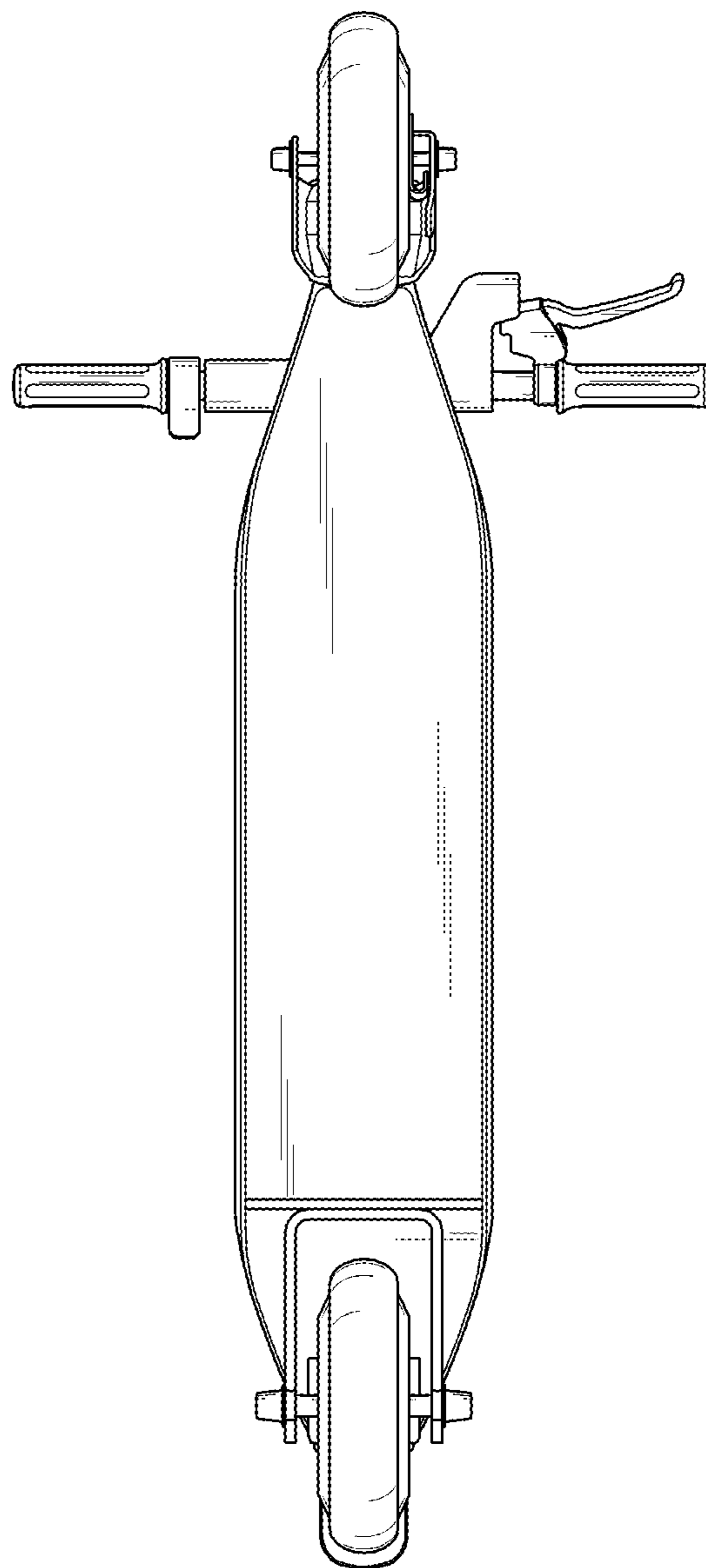
*FIG. 5*



*FIG. 6*



*FIG. 7*





*FIG. 8*

