



US00D912156S

(12) **United States Design Patent**  
**Peeters et al.**

(10) **Patent No.:** **US D912,156 S**  
(45) **Date of Patent:** **\*\* Mar. 2, 2021**

(54) **GAME HOUSING AND GAME PIECES**

(71) Applicant: **SMART N.V.**, Kontich (BE)

(72) Inventors: **Raf Peeters**, Lier (BE); **Leighton Meredith Rees**, Cirencester (GB)

(73) Assignee: **SMART N.V.**, Kontich (BE)

(\*\*) Term: **15 Years**

(21) Appl. No.: **29/688,242**

(22) Filed: **Apr. 19, 2019**

(30) **Foreign Application Priority Data**

Oct. 30, 2018 (EM) ..... 005813094

(51) **LOC (13) Cl.** ..... **21-01**

(52) **U.S. Cl.**

USPC ..... **D21/335**; D21/342

(58) **Field of Classification Search**

USPC ..... D21/334, 335-342, 355-359, 365, 318, D21/397, 351, 385, 386, 389, 404, 478, D21/479, 483-486, 489-491, 493, 494, D21/497-499, 507, 510, 511, 561; 273/241, 242, 244-247, 259, 275-277, 273/281, 282.1-282.3, 284-287, 317.3, 273/108.1, 108.5, 118 D, 236-240, 283, 273/309, 441, 461; D6/406.1, 406.3, D6/406.4, 406.6; D19/86, 92, 95, 87, D19/113, 75, 77, 78, 80; 108/14, 62, 43, 108/67; 434/416, 247, 248, 251, 408, 434/413, 145, 430

CPC .... A63F 3/00; A63F 3/00003; A63F 3/00028; A63F 3/00041; A63F 3/00044; A63F 3/00047; A63F 3/00173; A63F 3/00176; A63F 3/00214; A63F 3/00261; A63F 3/00643; A63F 3/00646-00659; A63F 3/04; A63F 3/00097; A63F 3/0434; A63F 3/00148; A63F 3/00697; A63F 3/0023; A63F 3/00895; A63F 3/00574; A63F 3/00694; A63F 2003/00182; A63F 2003/00223; A63F 2003/00457; A63F

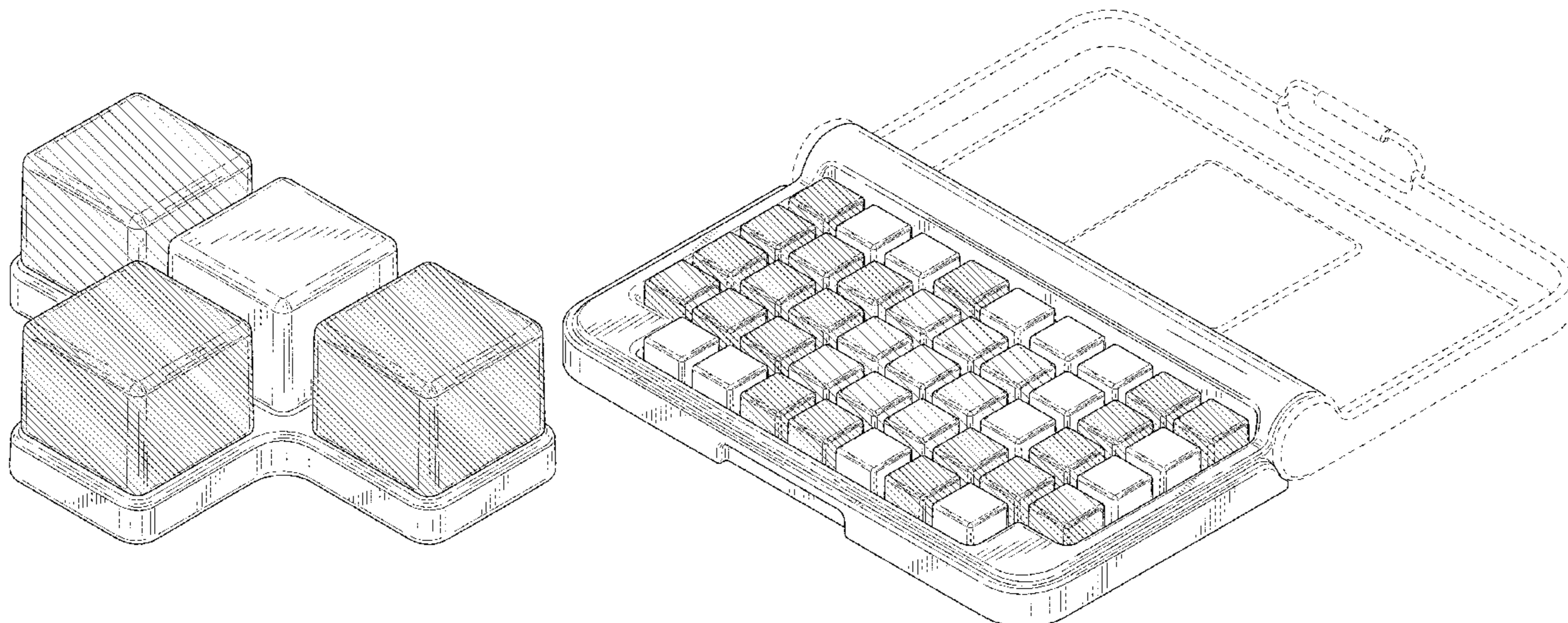
2003/0046; A63F 2003/00463; A63F 2003/00466; A63F 2003/0047; A63F 2003/00485; A63F 2003/00492; A63F 2003/00507; A63F 2003/00514; A63F 2003/00533; A63F 2003/00552; A63F 2003/00558; A63F 2003/00943; A63F 2003/00946; A63F 2003/00952-00962; A63F 2003/00974; A63F 7/00; A63F 7/06; A63F 7/0612; A63F 7/0604; A63F 7/0616-0636; A63F 7/30; A63F 7/36; A63F 7/0005; A63F 7/0017; A63F 7/0023; A63F 2007/0035; A63F 2007/367; A63F 2007/3674; A63F 9/00; A63F 9/08; A63F 9/001; A63F 9/0826; A63F 9/0073; A63F 9/0078; A63F 9/0602; A63F 9/0613; A63F 9/12-1208; A63F 9/1288; A63F 2009/0012; A63F 2009/1212-1228; A63F 2009/1292; A63F 2009/1296

See application file for complete search history.

(56) **References Cited**

**U.S. PATENT DOCUMENTS**

D17,127 S \* 2/1887 Clark ..... D19/103  
537,168 A \* 4/1895 Ormsby ..... A63F 9/0078  
273/153 R  
D55,496 S \* 6/1920 White ..... D7/590  
1,653,244 A \* 12/1927 White ..... A61J 7/0069  
206/459.5  
2,101,019 A \* 12/1937 Bowes ..... E04B 5/32  
249/18  
D110,770 S \* 8/1938 Alger ..... D21/335  
D111,647 S \* 10/1938 Alger ..... D21/335  
D115,126 S \* 6/1939 Petersen et al. .... D21/335  
D122,589 S \* 9/1940 Bastress ..... D7/553.5  
D133,824 S \* 9/1942 Young ..... D7/611  
D135,930 S \* 7/1943 Cobb ..... D21/342  
D137,722 S \* 4/1944 Triay ..... D21/366  
D137,887 S \* 5/1944 Shulman ..... D7/611  
D139,220 S \* 10/1944 Woodward et al. .... D21/366  
D143,719 S \* 2/1946 Ernster ..... D7/611  
D146,697 S \* 4/1947 Bates ..... D7/553.8  
D148,455 S \* 1/1948 Bleich et al. .... D19/92  
D150,414 S \* 8/1948 Gulley ..... D7/611  
2,501,379 A \* 3/1950 Cranston ..... A47F 3/14  
206/509





# US D912,156 S

D160,848 S *	11/1950	Ernster .....	D7/611	D280,290 S *	8/1985	Bakus .....	D9/425
D162,742 S *	4/1951	Lorenzana et al. ....	D21/345	D282,265 S *	1/1986	Hyland .....	D21/336
D168,933 S *	3/1953	Gamble .....	D21/335	D283,012 S *	3/1986	Jankens .....	D32/55
D172,958 S *	9/1954	Ferrucci .....	D19/103	D283,164 S *	3/1986	Pandya .....	D19/75
2,704,927 A *	3/1955	Carrell .....	F25C 1/24	D285,318 S *	8/1986	Propsom .....	D21/341
			62/382	4,648,524 A *	3/1987	Ackermann .....	A47B 88/969
2,757,934 A *	8/1956	Dunbar .....	A63F 3/0423				220/507
			273/272	D289,531 S *	4/1987	Coghill .....	D10/46.1
D188,987 S *	10/1960	Swimmer .....	D21/336	4,674,433 A *	6/1987	Inada .....	G09B 19/02
D192,672 S *	4/1962	Jenkins .....	D24/230				116/200
D197,134 S *	12/1963	Markham .....	D21/336	D294,668 S *	3/1988	Handler .....	D6/569
3,211,290 A *	10/1965	Strickling .....	B65B 21/18	D296,797 S *	7/1988	Andrews .....	D21/335
			209/522	D297,441 S *	8/1988	Smith, III .....	D21/335
3,273,700 A *	9/1966	Moreau et al. ....	B44D 3/04	4,783,081 A *	11/1988	Eckhardt .....	A63F 3/00261
			206/1.7				273/281
D206,761 S *	1/1967	Kirwan .....	D7/553.5	D299,287 S *	1/1989	Gertler .....	D12/419
D210,542 S *	3/1968	Stookey .....	D21/336	D299,933 S *	2/1989	Shalaon .....	D21/336
D210,613 S *	3/1968	Moore .....	F25D 25/00	4,819,945 A *	4/1989	Porcheddu .....	A63F 3/00634
			D7/611				273/272
3,382,632 A *	5/1968	Grofczik .....	E04B 2/10	D301,575 S *	6/1989	Crawford, Jr. ....	D13/119
			52/223.7	D302,026 S *	7/1989	Tu .....	D19/75
D217,851 S *	6/1970	Yankovich .....	D3/313	4,872,723 A *	10/1989	Kopf .....	B60N 3/002
D222,522 S *	10/1971	Zipf .....	D3/313				297/216.1
D223,026 S *	2/1972	Rotkow .....	D19/59	4,896,889 A *	1/1990	Kuhn .....	A63F 1/10
D223,714 S *	5/1972	Kester .....	D10/46.1				273/150
D223,939 S *	6/1972	Palazzolo .....	D21/336	D308,699 S *	6/1990	Ancona .....	D19/75
D225,241 S *	11/1972	Westlake .....	D21/336	D309,687 S *	8/1990	Embree .....	D6/552
3,705,727 A *	12/1972	Breslow .....	A63F 3/06	D311,210 S *	10/1990	Bottcher .....	D19/103
			273/271	D319,348 S *	8/1991	Monteleon .....	D3/313
D230,870 S *	3/1974	Keim .....	D21/336	D320,619 S *	10/1991	Schleeh .....	D19/78
D232,646 S *	9/1974	Stubbmann .....	D21/345	5,052,549 A *	10/1991	Scharch .....	F42B 39/00
3,840,113 A *	10/1974	Bartleson .....	B44D 2/002				206/3
			206/575	5,054,789 A *	10/1991	Pellerin .....	A63F 3/0423
D234,781 S *	4/1975	White .....	D21/336				273/288
3,929,337 A *	12/1975	Hayes .....	A63F 3/00697	D321,431 S *	11/1991	Dunkeld .....	D12/419
			273/243	D335,796 S *	5/1993	Barnes .....	D7/553.5
3,940,212 A *	2/1976	Gutner .....	F16B 12/14	D338,808 S *	8/1993	Anderson .....	D7/549
			403/306	D350,478 S *	9/1994	Fuller .....	D3/203.3
D239,334 S *	3/1976	Lowenstein .....	D19/77	D355,333 S *	2/1995	Campbell .....	D7/553.2
D242,157 S *	11/1976	Missinich .....	D21/336	D358,841 S *	5/1995	Ascone .....	D19/103
D245,118 S *	7/1977	Heaton .....	D24/230	D363,091 S *	10/1995	Dobis .....	D21/336
D246,945 S *	1/1978	Shore .....	D7/549	D363,856 S *	11/1995	Westbrooks, Jr. ....	D7/553.2
D247,533 S *	3/1978	Noyes .....	D6/514	D364,567 S *	11/1995	Dancel .....	D9/436
D247,647 S *	3/1978	Huber .....	D19/77	D368,736 S *	4/1996	Massena .....	D19/103
4,123,062 A *	10/1978	Wexler .....	A63F 3/00	D369,469 S *	5/1996	Gregory .....	D3/313
			273/248	D370,781 S *	6/1996	Vasudeva .....	D3/284
4,136,883 A *	1/1979	Klees .....	A63F 3/00261	5,560,612 A *	10/1996	Ippoliti .....	A63F 3/00574
			273/281				273/272
D251,644 S *	4/1979	Ravn .....	D6/571	D381,515 S *	7/1997	Haynes .....	D24/224
D253,071 S *	10/1979	Montez .....	D24/181	D393,543 S *	4/1998	Wilkening .....	D3/313
D253,126 S *	10/1979	Baxter .....	D24/226	5,738,108 A *	4/1998	Hein .....	A61B 5/411
D253,127 S *	10/1979	Baxter .....	D24/226				600/556
D255,129 S *	5/1980	Strongin .....	D21/341	D394,750 S *	6/1998	Iversen .....	D3/313
D255,310 S *	6/1980	Spencer .....	D7/553.5	D396,954 S *	8/1998	Iversen .....	D19/75
D256,081 S *	7/1980	Patterson .....	D3/311	D396,955 S *	8/1998	Iversen .....	D19/75
4,237,906 A *	12/1980	Havstad .....	A61B 17/205	D396,956 S *	8/1998	Iversen .....	D19/75
			215/250	D408,061 S *	4/1999	Borg .....	D21/337
4,244,581 A *	1/1981	Imatt .....	A63F 3/00574	D411,308 S *	6/1999	Pandey .....	D24/216
			273/236	D419,772 S *	2/2000	Williams .....	D3/201
4,254,957 A *	3/1981	Kramer .....	A63F 3/00574	D421,776 S *	3/2000	Borg .....	D21/336
			273/271	D434,456 S *	11/2000	Bracken .....	D21/336
D259,644 S *	6/1981	Israel .....	D21/336	D439,113 S *	3/2001	Claffy .....	D7/553.1
4,327,919 A *	5/1982	Vennor .....	A63F 3/00697	D443,299 S *	6/2001	Harrison .....	D19/103
			273/236	D450,351 S *	11/2001	Fong .....	D21/335
D264,857 S *	6/1982	Aitkens .....	D21/338	6,345,822 B1 *	2/2002	Reynolds .....	A63F 3/00261
D265,915 S *	8/1982	Tivey .....	D19/103				273/281
D266,728 S *	11/1982	Ivy .....	D7/693	D457,371 S *	5/2002	Grassman .....	D6/552
D267,023 S *	11/1982	Bowser .....	D21/336	D467,080 S *	12/2002	Zimmerman .....	D3/311
D268,130 S *	3/1983	Easton .....	D24/230	D467,980 S *	12/2002	Creech .....	D21/335
D268,353 S *	3/1983	Pilipski .....	D21/336	D484,919 S *	1/2004	Campos .....	D21/335
D270,170 S *	8/1983	Shoptaugh .....	D21/342	D490,244 S *	5/2004	Pero .....	D3/315
D272,923 S *	3/1984	Quinn .....	273/148 R	D504,563 S *	5/2005	Broussard .....	D3/20
D274,789 S *	7/1984	Brown .....	D9/758	D510,604 S *	10/2005	Deveaux, III .....	D21/335
D274,885 S *	7/1984	Joice .....	D9/758	D513,124 S *	12/2005	Funk .....	D3/313
D276,116 S *	10/1984	Basil .....	D7/541	D519,303 S *	4/2006	Winig .....	D6/682.2
4,474,371 A *	10/1984	Silbermintz .....	A63F 9/1204	D526,027 S *	8/2006	Smith .....	D21/336
			273/153 S	7,114,829 B2 *	10/2006	Lai .....	F21S 10/02
D279,384 S *	6/1985	Evenson .....	D19/75				362/231



D538,354	S *	3/2007	Harman	.....	D21/337
D539,359	S *	3/2007	Rom	.....	D21/478
7,219,895	B1 *	5/2007	Hutchins, Jr.	.....	A63F 3/02 273/236
D545,379	S *	6/2007	Floden	.....	D21/346
D549,288	S *	8/2007	Droznika	.....	D21/341
D585,499	S *	1/2009	Kramer	.....	D21/335
D585,500	S *	1/2009	Kramer	.....	D21/335
D585,683	S *	2/2009	Nielsen	.....	D6/629
D589,626	S *	3/2009	Petersen	.....	D24/230
D592,401	S *	5/2009	Beavers	.....	D3/304
D596,758	S *	7/2009	Constable	.....	D24/230
D600,748	S *	9/2009	Tabuchi	.....	D19/106
D601,343	S *	10/2009	Franczyk	.....	D3/313
D606,774	S *	12/2009	Kohli	.....	D6/406.6
D607,516	S *	1/2010	DeOreo	.....	D21/335
D617,118	S *	6/2010	Fojtasek	.....	D6/382
D618,476	S *	6/2010	Maddux	.....	D6/705
D624,795	S *	10/2010	Koeleman	.....	D7/706
7,862,043	B2 *	1/2011	Kramer	.....	A63F 3/0023 273/283
D634,541	S *	3/2011	Gutierrez	.....	D3/313
D639,866	S *	6/2011	Levasseur	.....	D21/342
D648,548	S *	11/2011	Winer	.....	D6/300
D651,538	S *	1/2012	Garzone	.....	D11/178
D656,201	S *	3/2012	Perrin	.....	D21/335
D657,824	S *	4/2012	Sorrell	.....	D21/365
D660,723	S *	5/2012	Akana	.....	D9/737
D661,950	S *	6/2012	Greenwood	.....	D7/590
D669,311	S *	10/2012	Hsu	.....	D7/553.5
8,302,801	B2 *	11/2012	Fried	.....	B65D 21/086 220/508
D674,709	S *	1/2013	Akana	.....	D9/737
8,381,662	B2 *	2/2013	Goldszer	.....	A47B 37/04 108/50.12
D678,409	S *	3/2013	Papenfuß	.....	D19/106
D680,379	S *	4/2013	Lackey	.....	D7/553.2
D685,654	S *	7/2013	Akana	.....	D9/737
D690,164	S *	9/2013	Lock	.....	D7/553.2
D695,078	S *	12/2013	Hertaus	.....	D7/600.1
D709,323	S *	7/2014	Brown	.....	D7/402
D713,051	S *	9/2014	Smeja	.....	D24/230
D714,958	S *	10/2014	Smeja	.....	D24/230
D729,549	S *	5/2015	Williams	.....	D6/675
D734,867	S *	7/2015	Smeja	.....	D24/230
D736,403	S *	8/2015	Hudson	.....	D24/226
D739,680	S *	9/2015	Smeja	.....	D7/600.1
D742,666	S *	11/2015	Akana	.....	D6/682.2
D744,159	S *	11/2015	Lukas	.....	D27/183
D746,637	S *	1/2016	Mairinger	.....	D7/553.2
D750,443	S *	3/2016	Kraemer	.....	D7/611
9,393,075	B2 *	7/2016	Ghosh	.....	A61B 46/10
D767,309	S *	9/2016	Akana	.....	D6/682.2
D769,678	S *	10/2016	Jussen	.....	D7/701
9,486,294	B2 *	11/2016	Ghosh	.....	A61B 50/13
D785,406	S *	5/2017	Wansink	.....	D7/553.2
D789,749	S *	6/2017	Tsai	.....	D7/600.1
D789,750	S *	6/2017	Noe	.....	D7/600.1
9,694,289	B2 *	7/2017	Thomas	.....	A63F 13/822
D793,813	S *	8/2017	Dubois	.....	D7/553.2
D793,856	S *	8/2017	Akana	.....	D9/425
D795,704	S *	8/2017	Tanus	.....	D9/737
9,788,913	B2 *	10/2017	Ghosh	.....	A61B 46/00
D802,678	S *	11/2017	Wimer	.....	D21/336
D804,261	S *	12/2017	Almaguer	.....	D7/701
D807,129	S *	1/2018	Martinez	.....	D7/701
D820,330	S *	6/2018	Di Monte, Sr.	.....	D15/140
D820,623	S *	6/2018	Akana	.....	D6/682.4
D820,690	S *	6/2018	Canuto	.....	D9/757
D826,425	S *	8/2018	Muller	.....	D24/230
D826,426	S *	8/2018	Muller	.....	D24/230
D827,432	S *	9/2018	Akana	.....	D9/436
D834,365	S *	11/2018	Hundley	.....	D7/391
D836,832	S *	12/2018	Kesselman	.....	D27/186
D836,991	S *	1/2019	Wansink	.....	D7/553.5
D838,553	S *	1/2019	Kraemer	.....	D7/611
10,166,464	B2 *	1/2019	Todokoro	.....	A63F 9/0803
D840,053	S *	2/2019	Kamees	.....	D24/230
D840,249	S *	2/2019	Payne	.....	D9/760

D844,375	S *	4/2019	Hundley	.....	D7/391
D844,806	S *	4/2019	Johns	.....	D24/227
D859,979	S *	9/2019	Akana	.....	D9/432
D863,449	S *	10/2019	Shoptaugh	.....	D21/342
D864,304	S *	10/2019	Macadam	.....	D21/337
D872,187	S *	1/2020	Hsu	.....	D21/343
D873,572	S *	1/2020	Hofer	.....	D4/134
D873,660	S *	1/2020	Akana	.....	D9/436
D884,798	S *	5/2020	Hsu	.....	D21/342
D886,202	S *	6/2020	Hsu	.....	D21/342
D897,449	S *	9/2020	Xu	.....	D21/468
2002/0113370	A1 *	8/2002	Pickering	.....	A63F 3/00094 273/271
2003/0006553	A1 *	1/2003	Veguilla	.....	A63F 3/02 273/281
2005/0265129	A1 *	12/2005	Agnoff	.....	G04B 3/006 368/206
2006/0283767	A1 *	12/2006	White West	.....	A45D 19/00 206/557

\* cited by examiner

Primary Examiner — Susan Moon Lee

(74) Attorney, Agent, or Firm — Hodgson Russ LLP

(57) CLAIM

The ornamental design for a game housing and game pieces, as shown and described.

DESCRIPTION

FIG. 1 is an open configuration, top perspective view of the game housing component of our design for a game housing and game pieces, shown separately from the game pieces for clarity of illustration;

FIG. 2 is a front elevational view of the game housing of FIG. 1;

FIG. 3 is a rear elevational view of the game housing of FIG. 1;

FIG. 4 is a right side view of the game housing of FIG. 1;

FIG. 5 is a left side view of the game housing of FIG. 1;

FIG. 6 is a top view of the game housing of FIG. 1;

FIG. 7 is a bottom view of the game housing of FIG. 1;

FIG. 8 is a top perspective view of a game piece, shown separately for clarity of illustration;

FIG. 9 is a front elevational view of the game piece of FIG. 8;

FIG. 10 is a rear elevational view of the game piece of FIG. 8;

FIG. 11 is a right side view of the game piece of FIG. 8;

FIG. 12 is a left side view of the game piece of FIG. 8;

FIG. 13 is a top view of the game piece of FIG. 8;

FIG. 14 is a bottom view of the game piece of FIG. 8;

FIG. 15 is a top perspective view of a game piece, shown separately for clarity of illustration;

FIG. 16 is a front elevational view of the game piece of FIG. 15;

FIG. 17 is a rear elevational view of the game piece of FIG. 15;

FIG. 18 is a right side view of the game piece of FIG. 15;

FIG. 19 is a left side view of the game piece of FIG. 15;

FIG. 20 is a top view of the game piece of FIG. 15;

FIG. 21 is a bottom view of the game piece of FIG. 15;

FIG. 22 is a top perspective view of a game piece, shown separately for clarity of illustration;

FIG. 23 is a front elevational view of the game piece of FIG. 22;

FIG. 24 is a rear elevational view of the game piece of FIG. 22;



FIG. 25 is a right side view of the game piece of FIG. 22;  
 FIG. 26 is a left side view of the game piece of FIG. 22;  
 FIG. 27 is a top view of the game piece of FIG. 22;  
 FIG. 28 is a bottom view of the game piece of FIG. 22;  
 FIG. 29 is a top perspective view of a game piece, shown separately for clarity of illustration;  
 FIG. 30 is a front elevational view of the game piece of FIG. 29;  
 FIG. 31 is a rear elevational view of the game piece of FIG. 29;  
 FIG. 32 is a right side view of the game piece of FIG. 29;  
 FIG. 33 is a left side view of the game piece of FIG. 29;  
 FIG. 34 is a top view of the game piece of FIG. 29;  
 FIG. 35 is a bottom view of the game piece of FIG. 29;  
 FIG. 36 is a top perspective view of a game piece, shown separately for clarity of illustration;  
 FIG. 37 is a front elevational view of the game piece of FIG. 36;  
 FIG. 38 is a rear elevational view of the game piece of FIG. 36;  
 FIG. 39 is a right side view of the game piece of FIG. 36;  
 FIG. 40 is a left side view of the game piece of FIG. 36;  
 FIG. 41 is a top view of the game piece of FIG. 36;  
 FIG. 42 is a bottom view of the game piece of FIG. 36;  
 FIG. 43 is a top perspective view of a game piece, shown separately for clarity of illustration;  
 FIG. 44 is a front elevational view of the game piece of FIG. 43;  
 FIG. 45 is a rear elevational view of the game piece of FIG. 43;  
 FIG. 46 is a right side view of the game piece of FIG. 43;  
 FIG. 47 is a left side view of the game piece of FIG. 43;  
 FIG. 48 is a top view of the game piece of FIG. 43;  
 FIG. 49 is a bottom view of the game piece of FIG. 43;  
 FIG. 50 is a top perspective view of a game piece, shown separately for clarity of illustration;  
 FIG. 51 is a front elevational view of the game piece of FIG. 50;  
 FIG. 52 is a rear elevational view of the game piece of FIG. 50;  
 FIG. 53 is a right side view of the game piece of FIG. 50;  
 FIG. 54 is a left side view of the game piece of FIG. 50;

FIG. 55 is a top view of the game piece of FIG. 50;  
 FIG. 56 is a bottom view of the game piece of FIG. 50;  
 FIG. 57 is a top perspective view of a game piece, shown separately for clarity of illustration;  
 FIG. 58 is a front elevational view of the game piece of FIG. 57;  
 FIG. 59 is a rear elevational view of the game piece of FIG. 57;  
 FIG. 60 is a right side view of the game piece of FIG. 57;  
 FIG. 61 is a left side view of the game piece of FIG. 57;  
 FIG. 62 is a top view of the game piece of FIG. 57;  
 FIG. 63 is a bottom view of the game piece of FIG. 57;  
 FIG. 64 is a top perspective view of a game piece, shown separately for clarity of illustration;  
 FIG. 65 is a front elevational view of the game piece of FIG. 64;  
 FIG. 66 is a rear elevational view of the game piece of FIG. 64;  
 FIG. 67 is a right side view of the game piece of FIG. 64;  
 FIG. 68 is a left side view of the game piece of FIG. 64;  
 FIG. 69 is a top view of the game piece of FIG. 64;  
 FIG. 70 is a bottom view of the game piece of FIG. 64;  
 FIG. 71 is a top perspective view of a game piece, shown separately for clarity of illustration;  
 FIG. 72 is a front elevational view of the game piece of FIG. 71;  
 FIG. 73 is a rear elevational view of the game piece of FIG. 71;  
 FIG. 74 is a right side view of the game piece of FIG. 71;  
 FIG. 75 is a left side view of the game piece of FIG. 71;  
 FIG. 76 is a top view of the game piece of FIG. 71;  
 FIG. 77 is a bottom view of the game piece of FIG. 71;  
 FIG. 78 is a top perspective view of the game housing component of FIG. 1, shown in a closed configuration; and,  
 FIG. 79 is a top perspective view of the game housing and game pieces of the present design, shown in an open configuration.  
 The evenly-dashed broken lines in the drawings illustrate the portions of the game pieces and game housing that form no part of the claim. The difference in cross-hatching patterns in the figures is used to indicate contrasting colors.

**1 Claim, 52 Drawing Sheets**

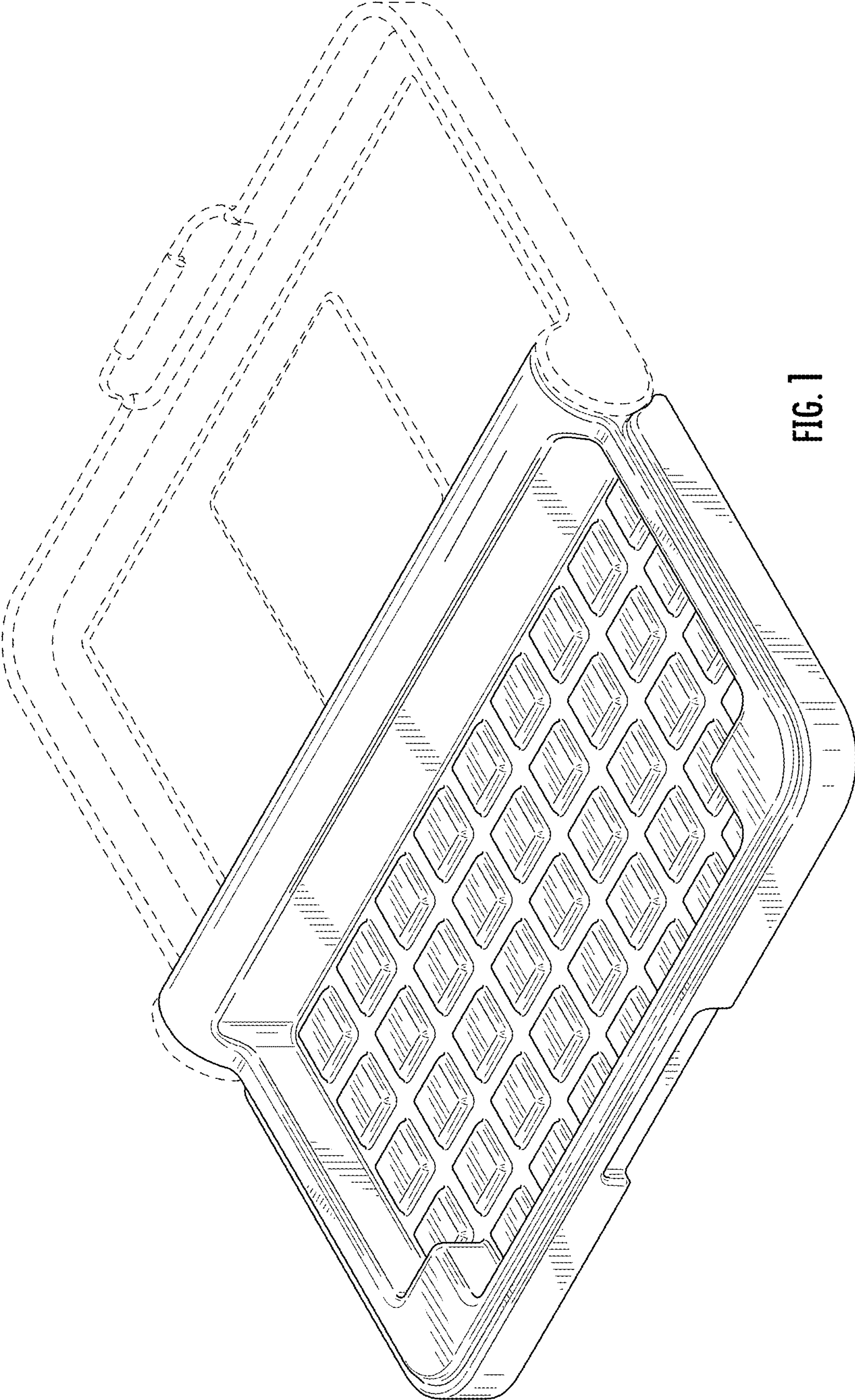


FIG. 1



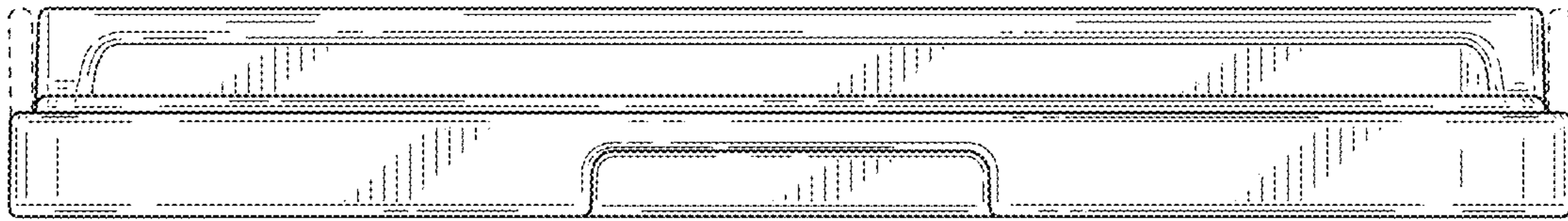


FIG. 2

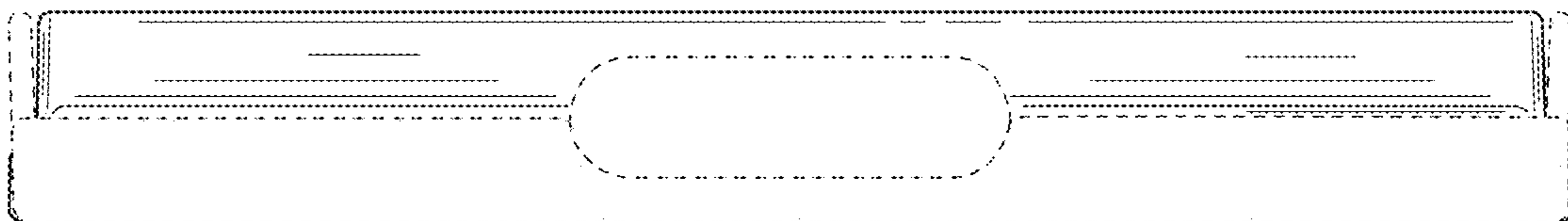


FIG. 3

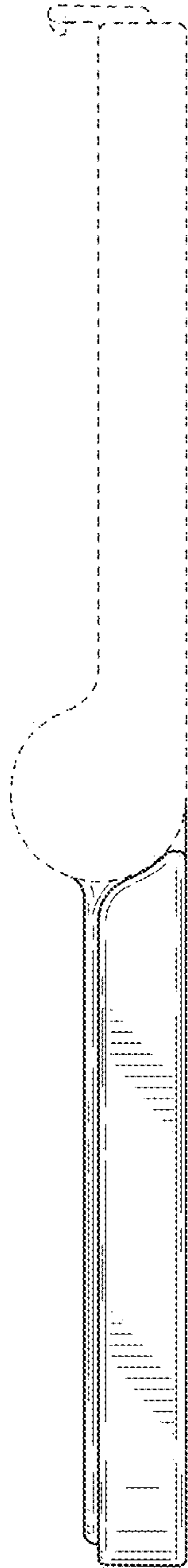


FIG. 4

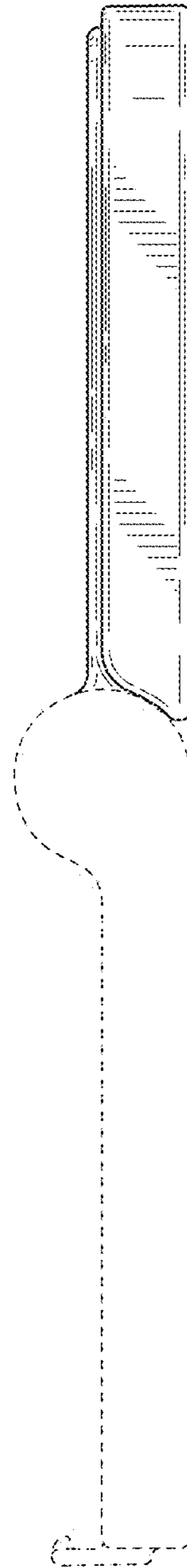


FIG. 5

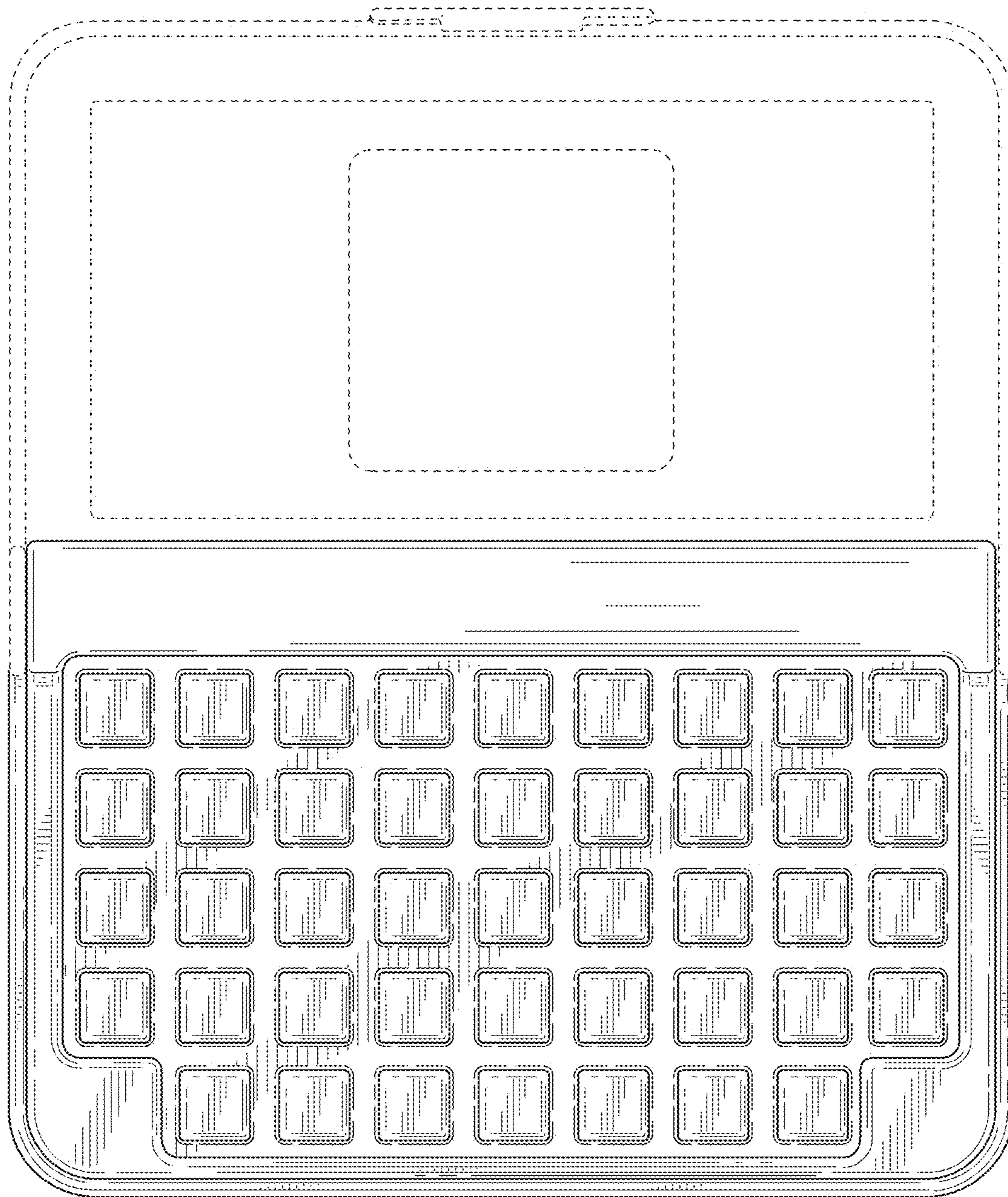


FIG. 6



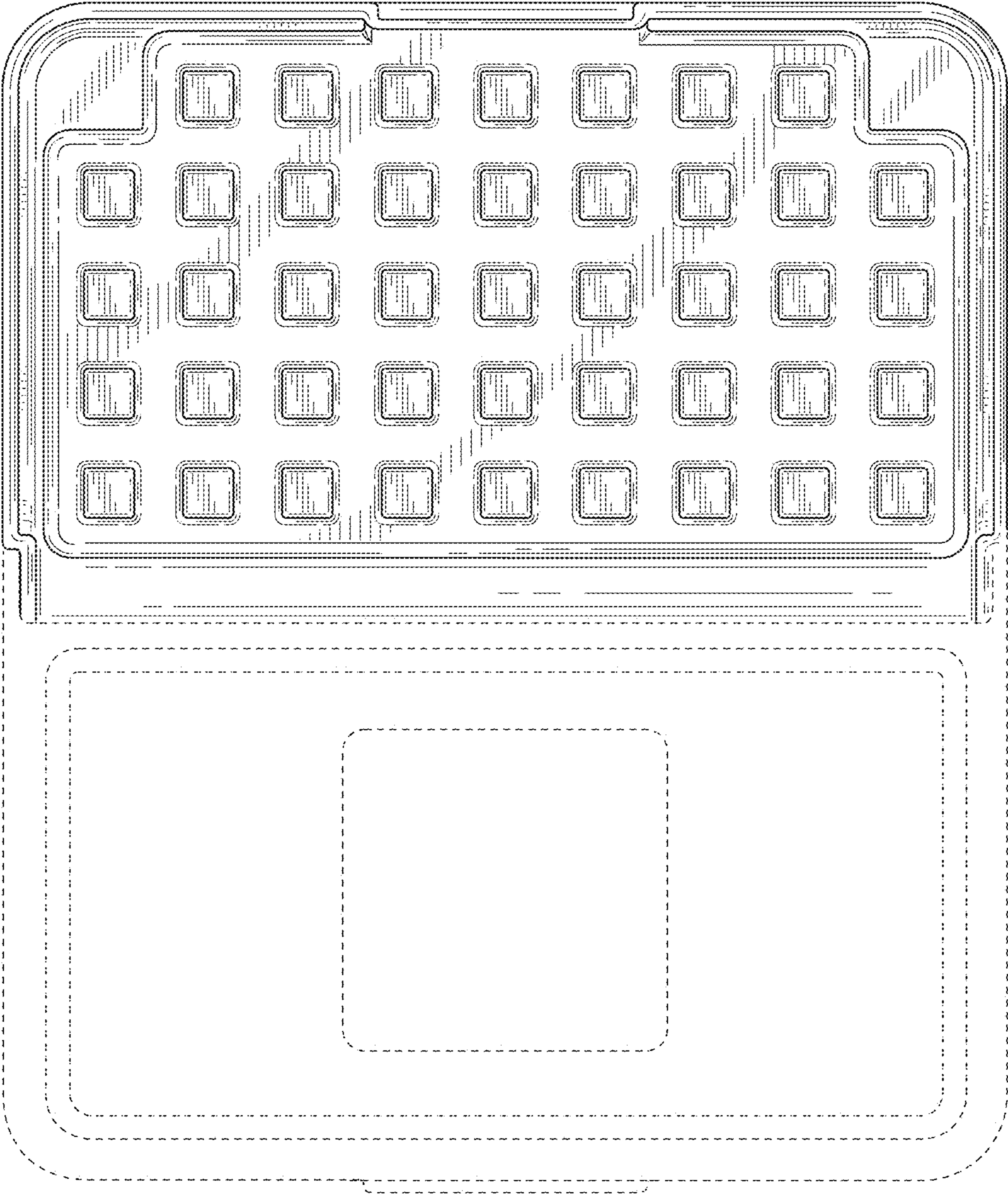


FIG. 7

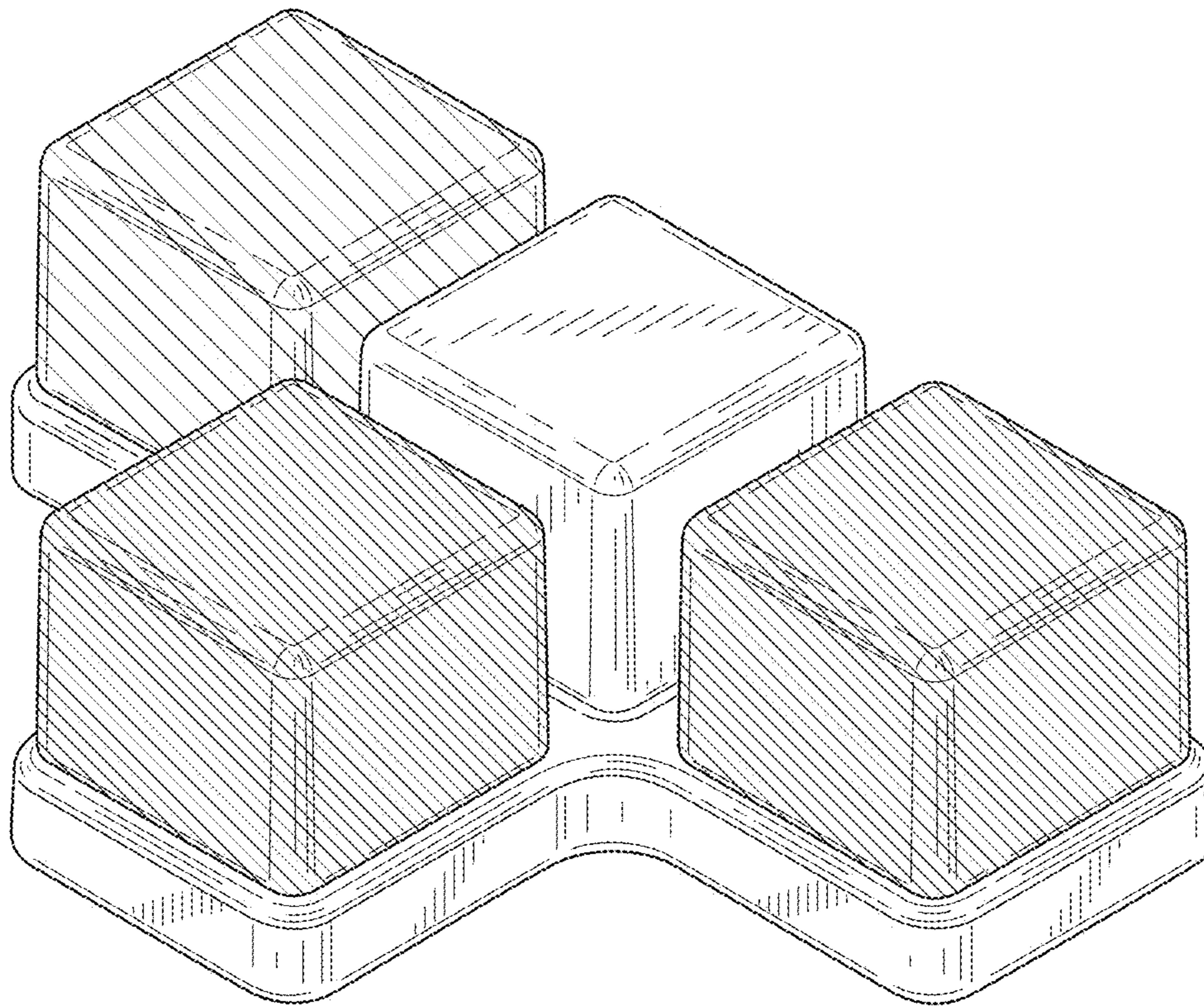


FIG. 8



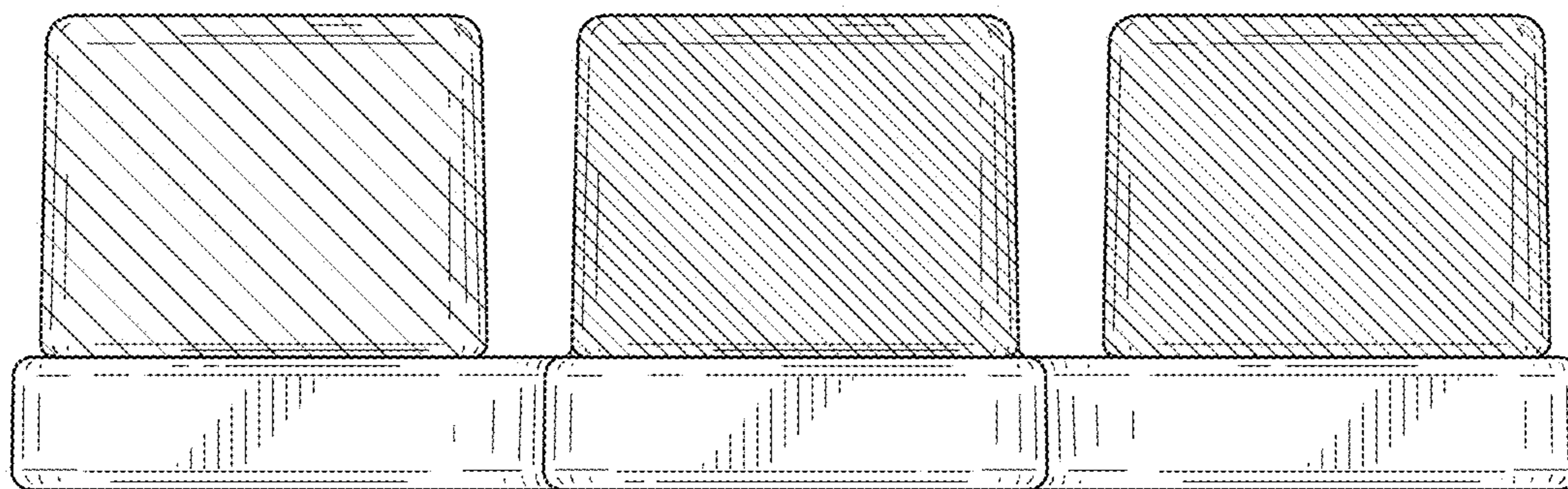


FIG. 9

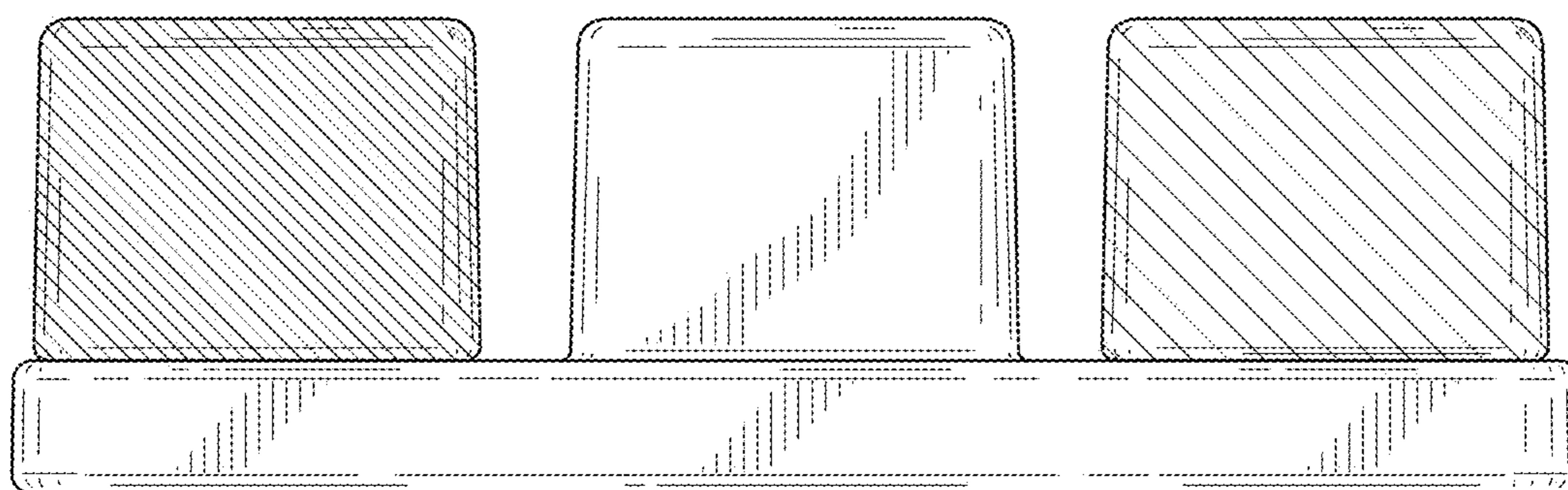


FIG. 10

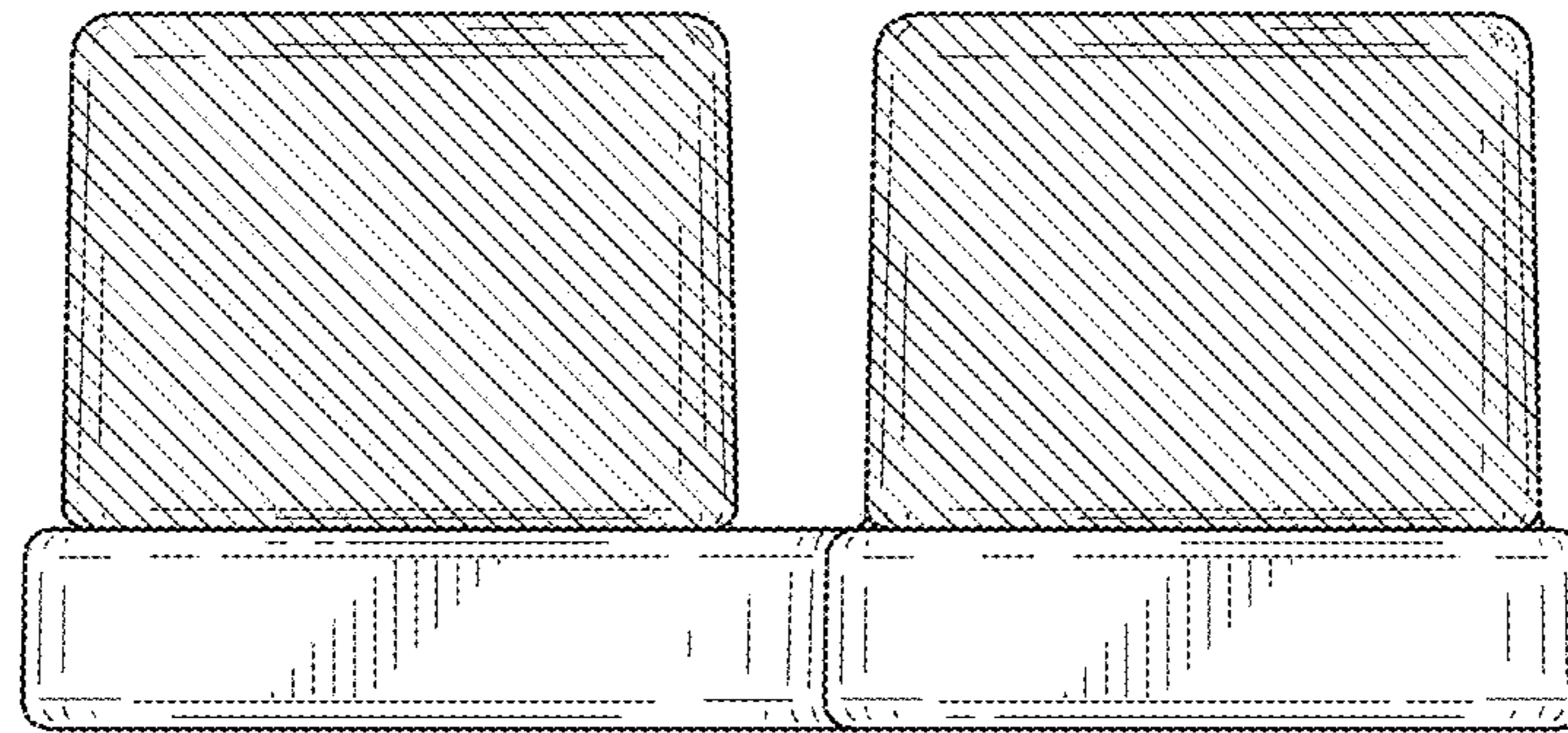


FIG. 11

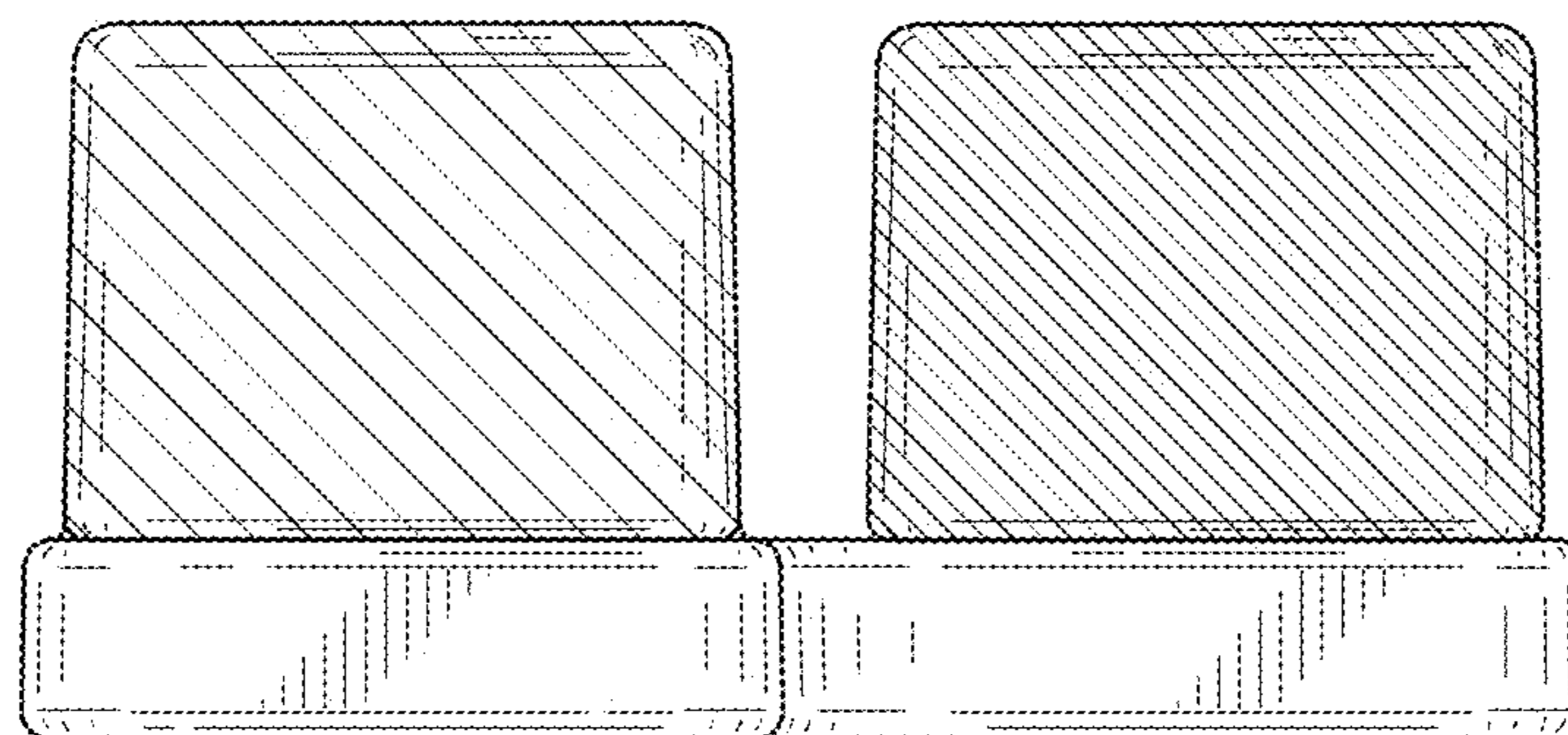


FIG. 12



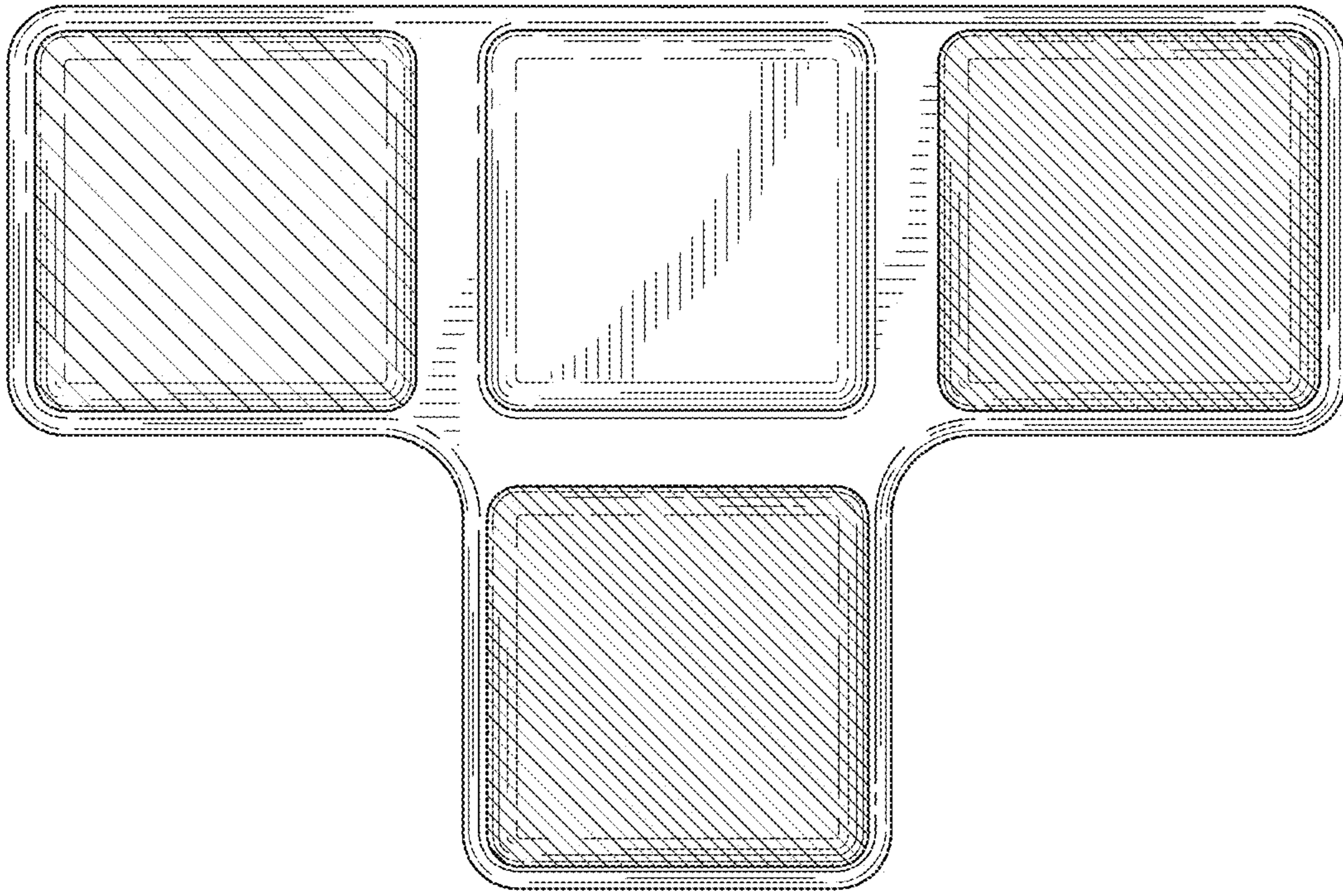


FIG. 13

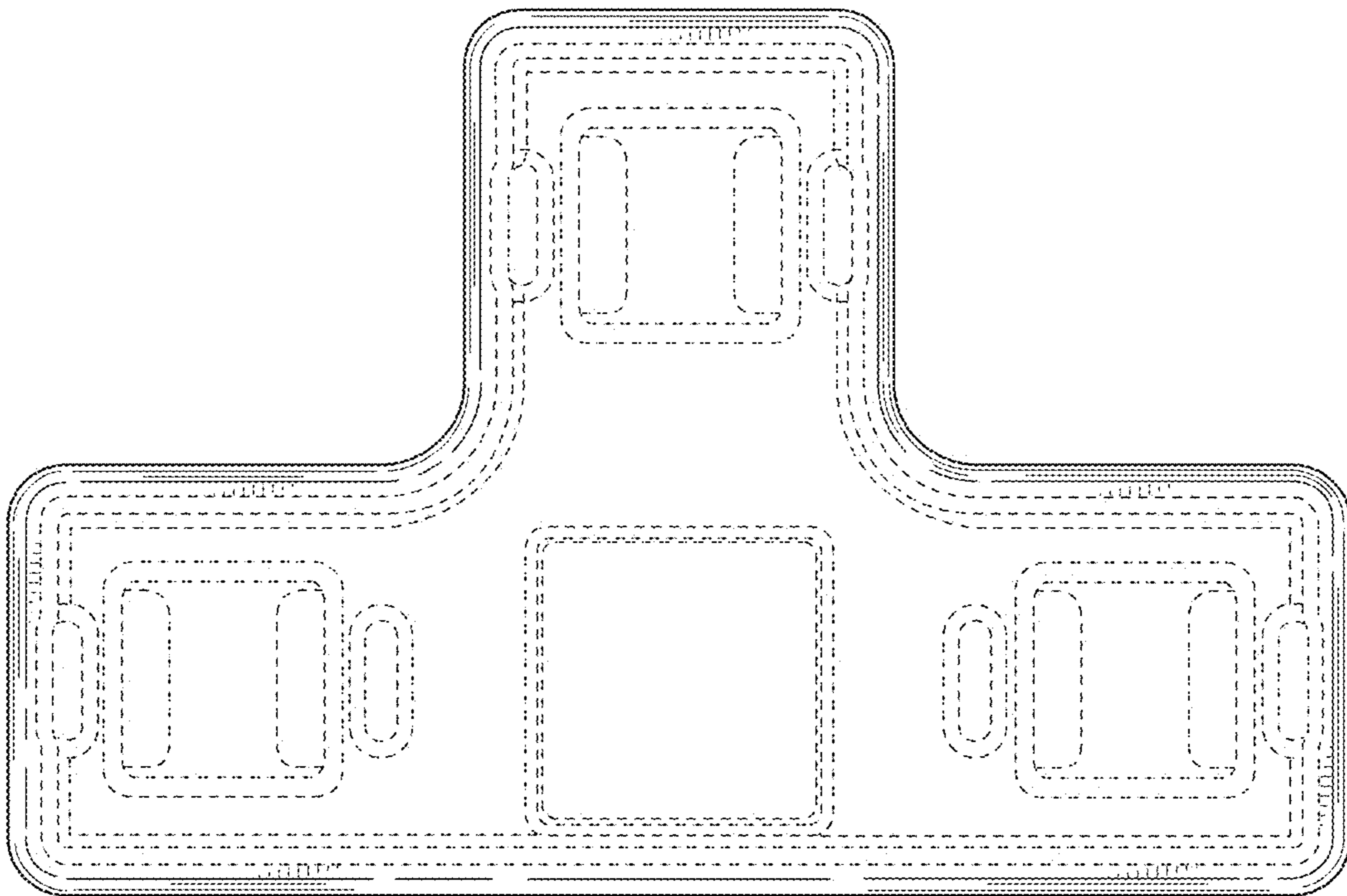


FIG. 14

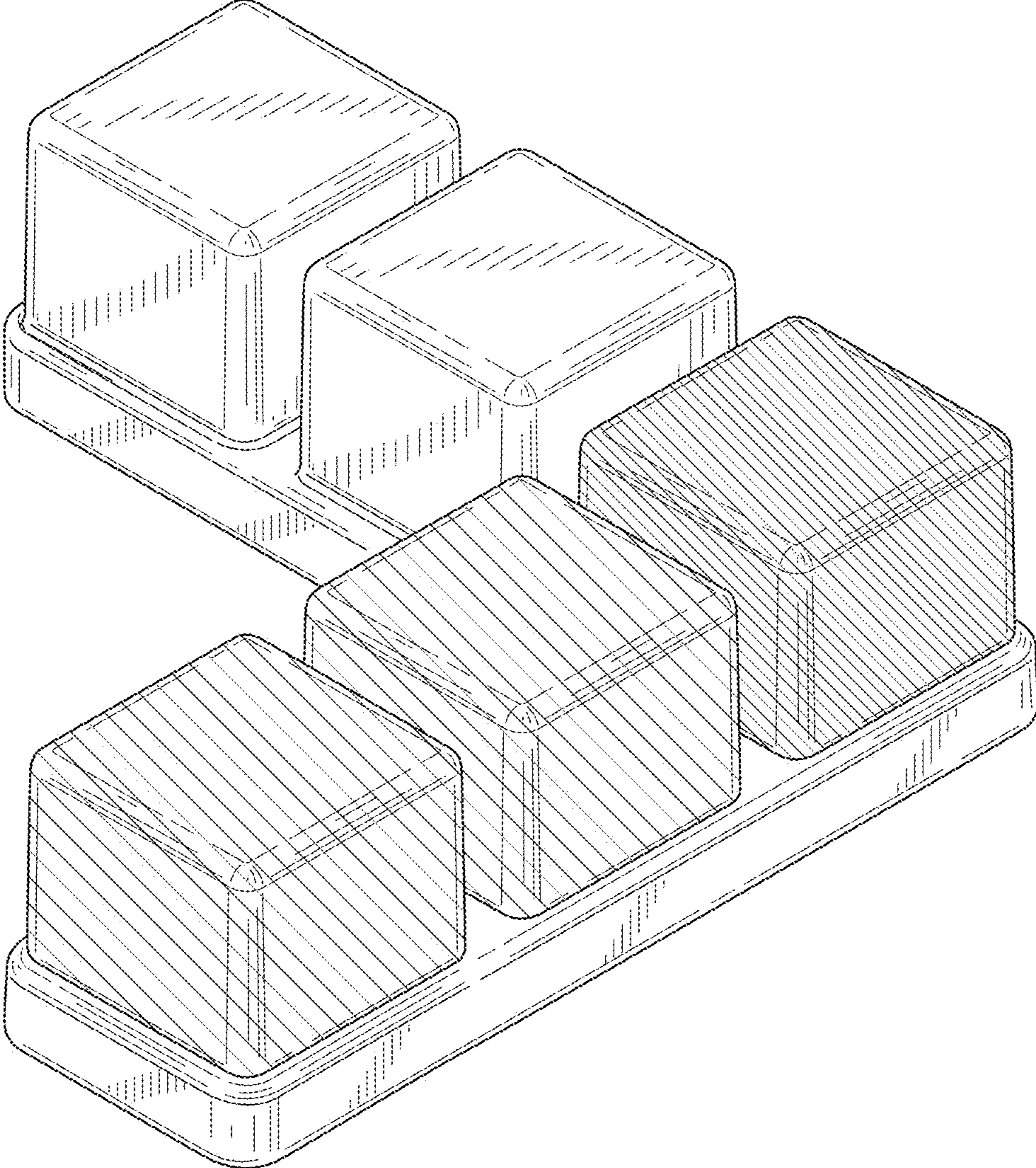


FIG. 15



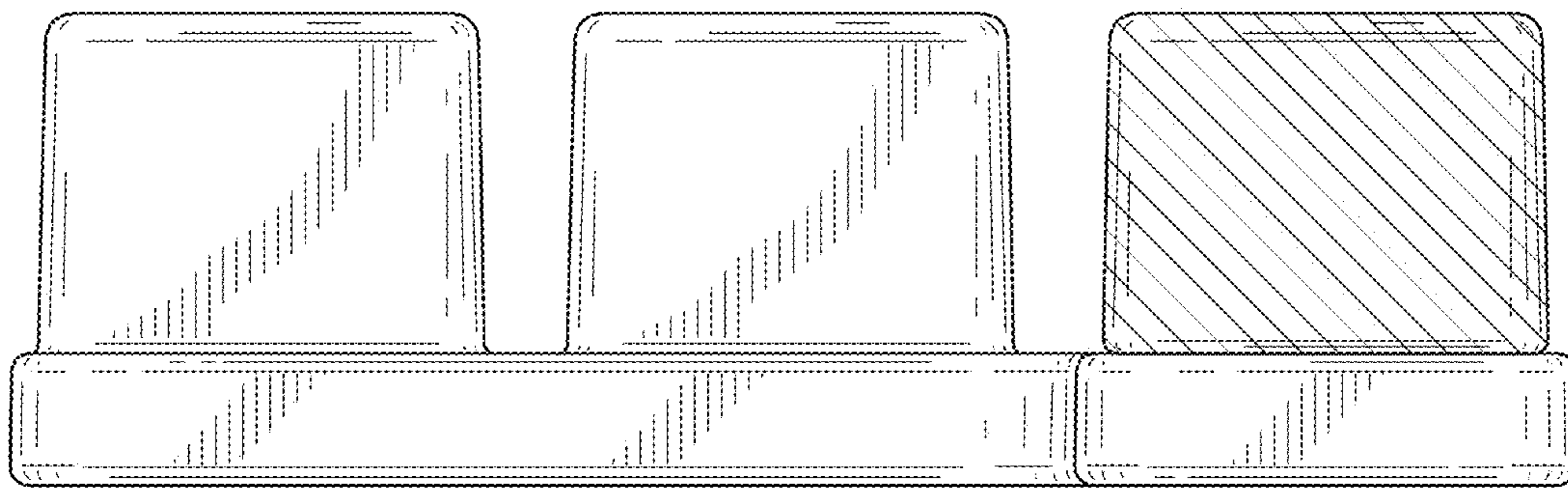


FIG. 16

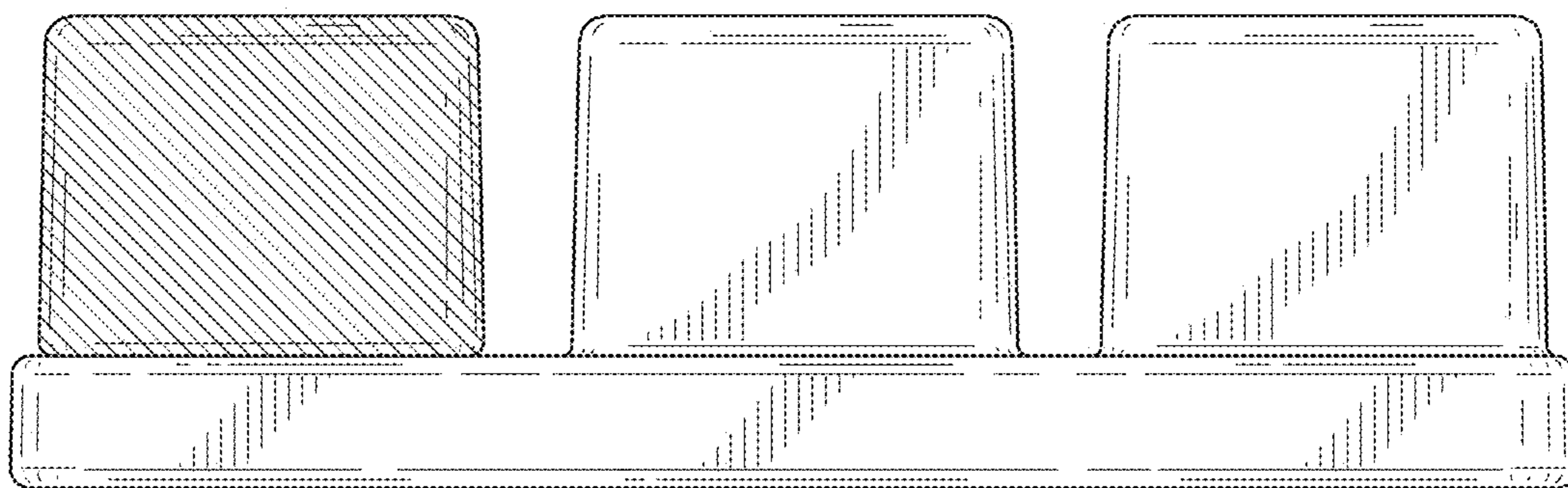


FIG. 17

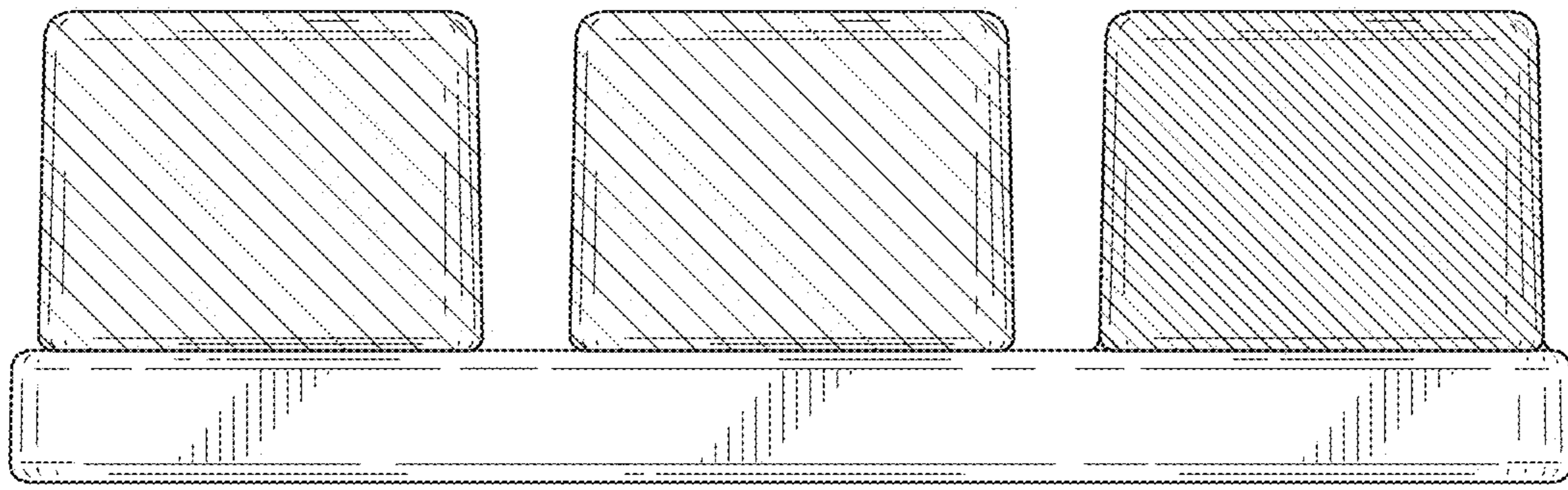


FIG. 18

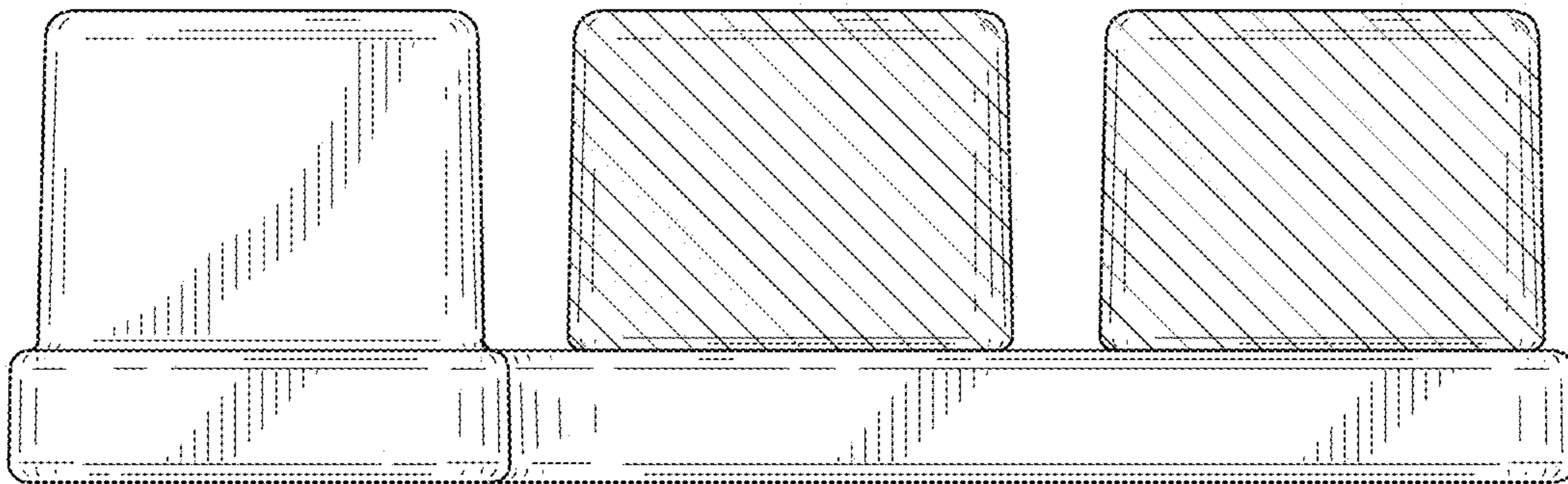


FIG. 19



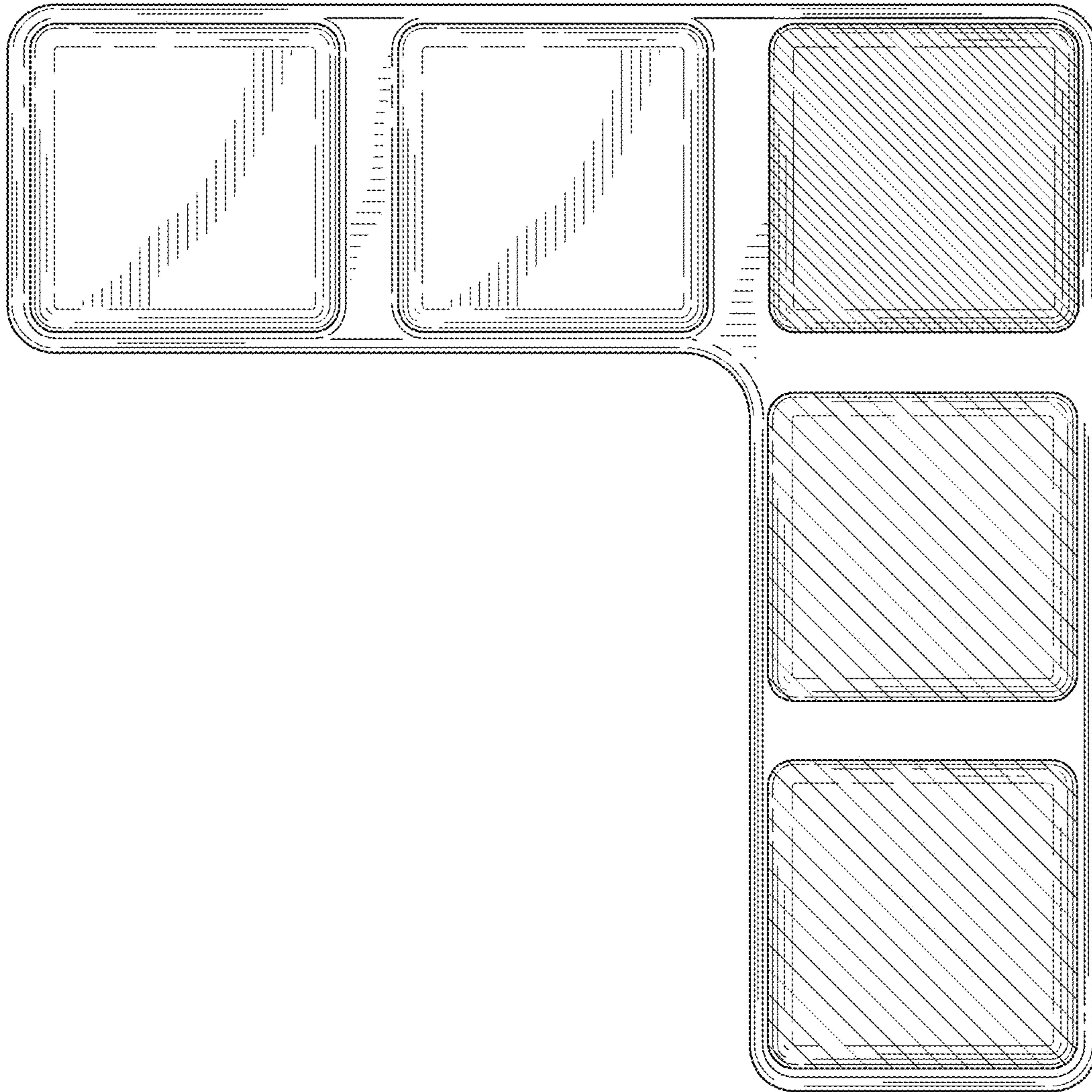


FIG. 20

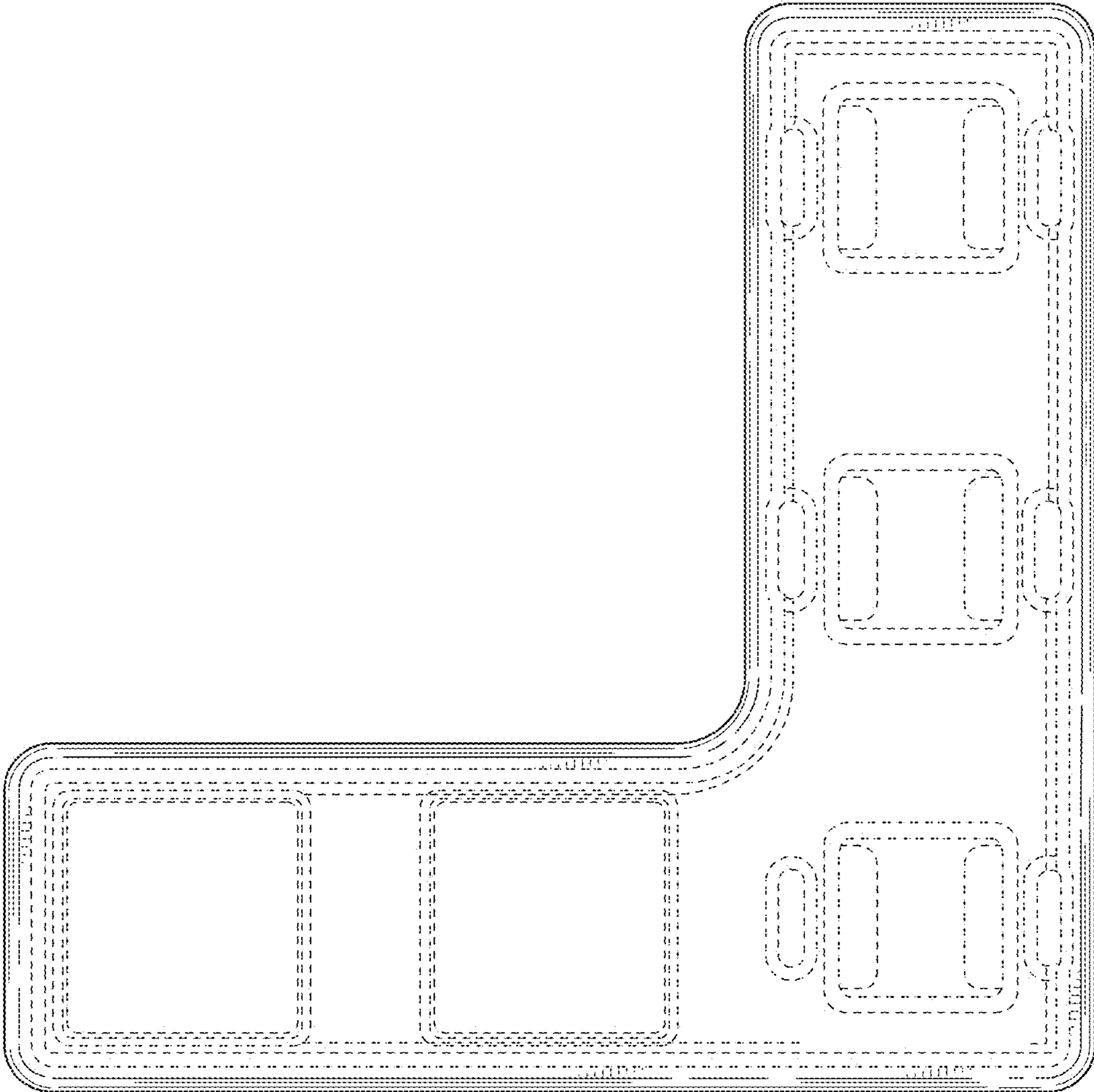


FIG. 21



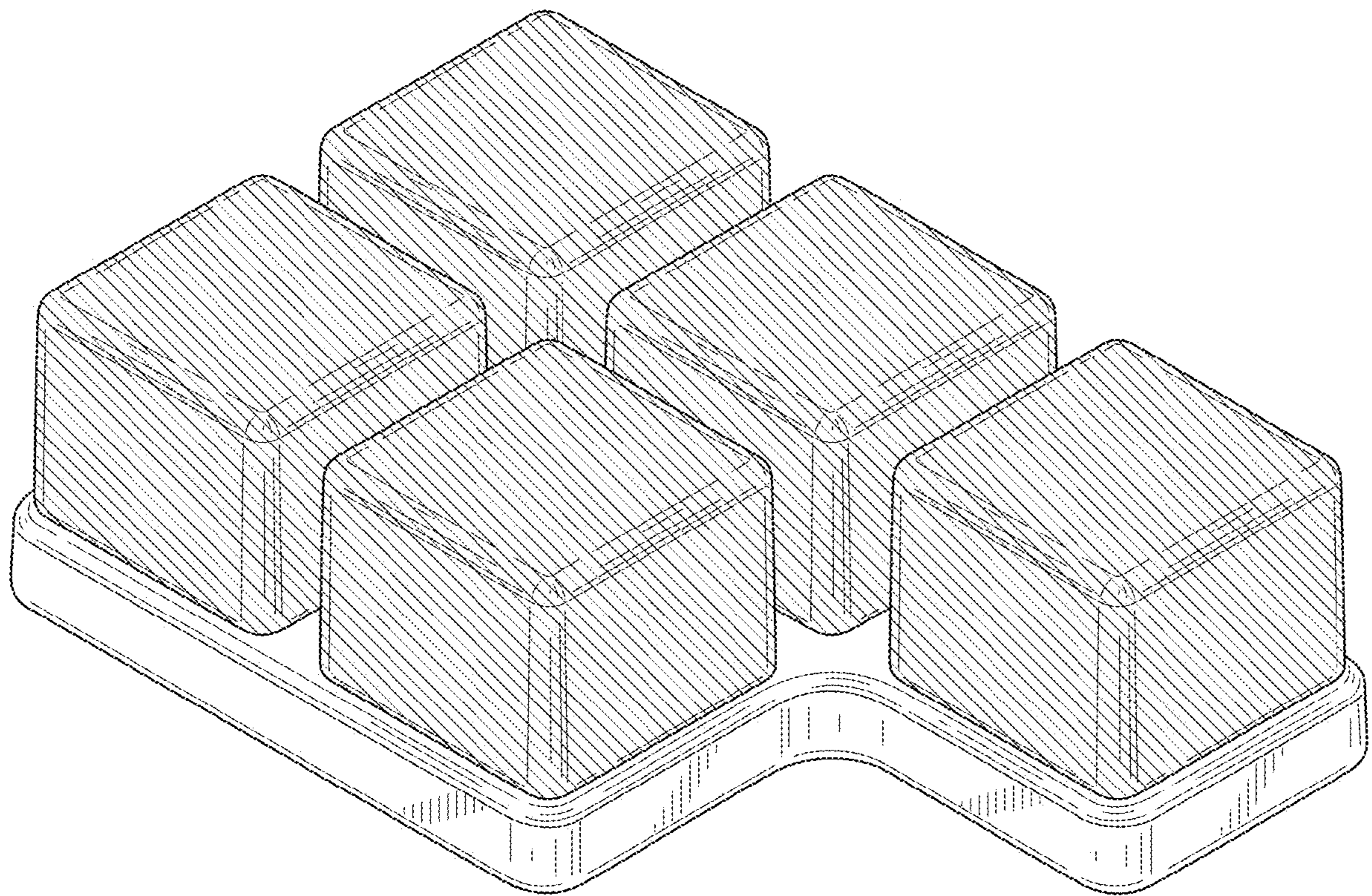


FIG. 22



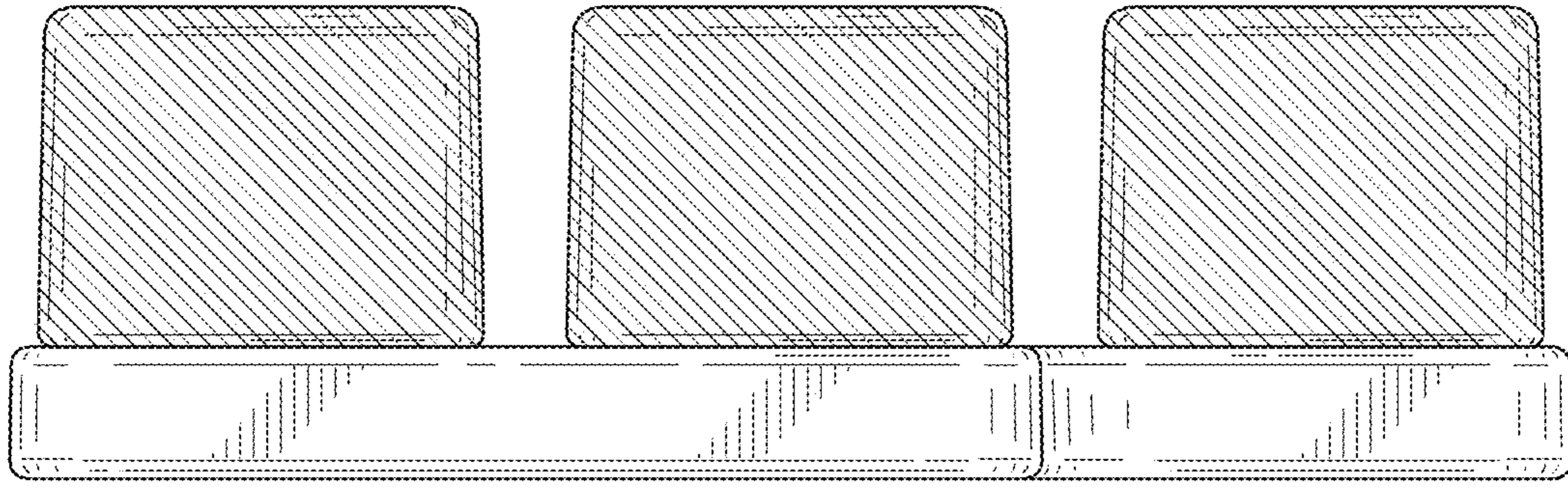


FIG. 23

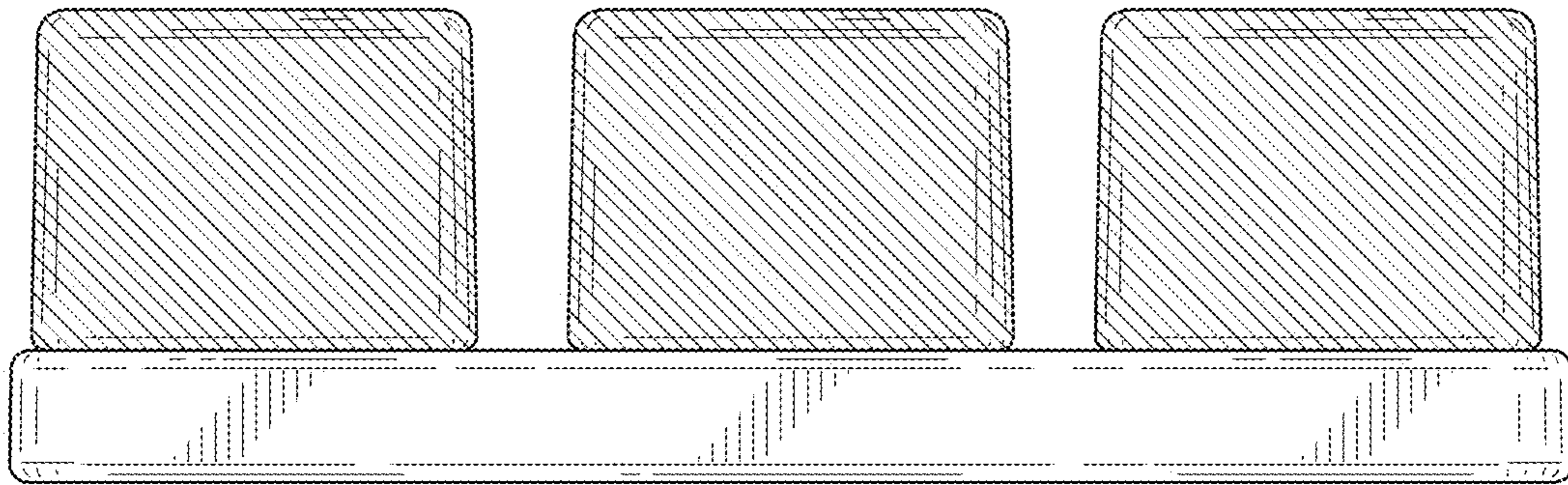


FIG. 24



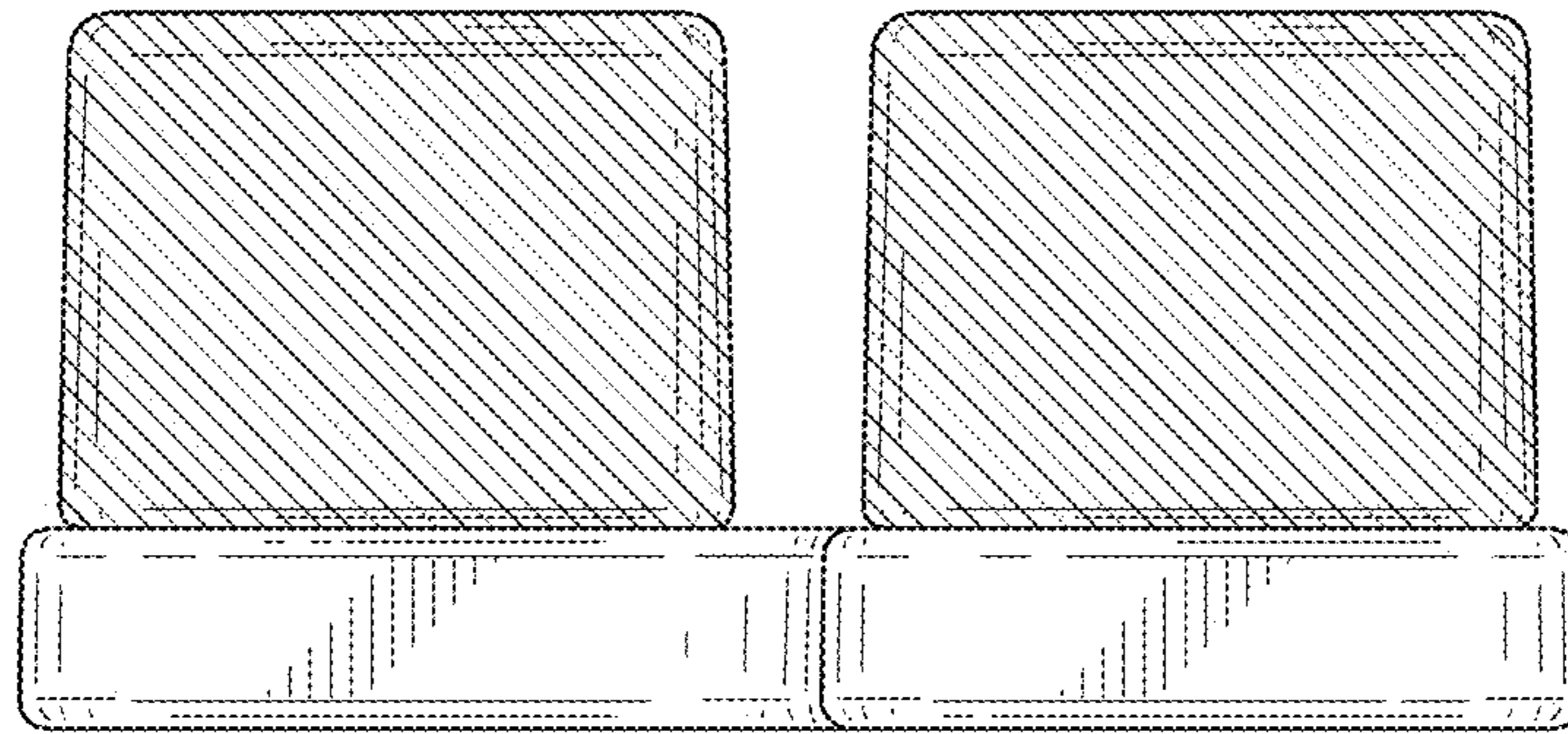


FIG. 25

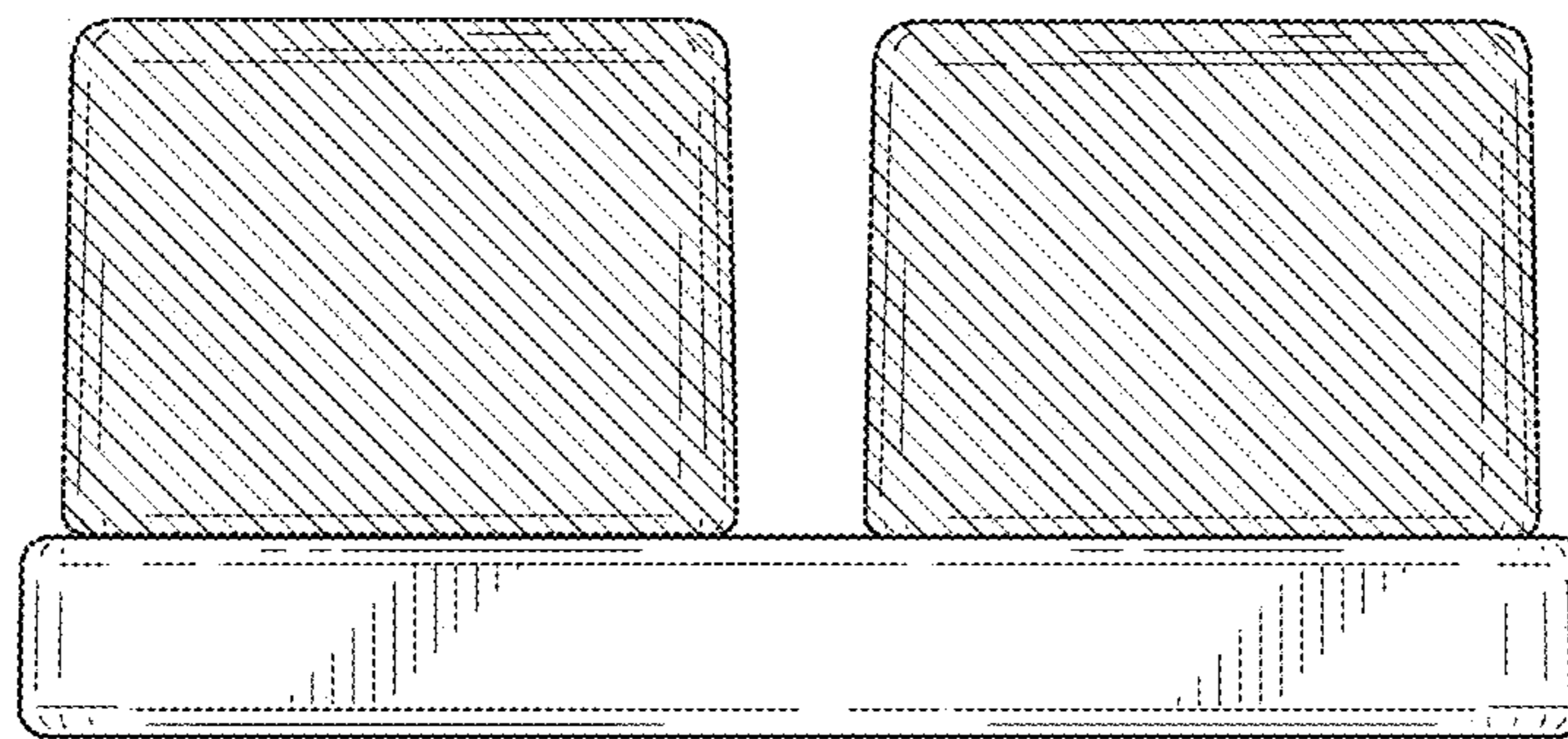


FIG. 26

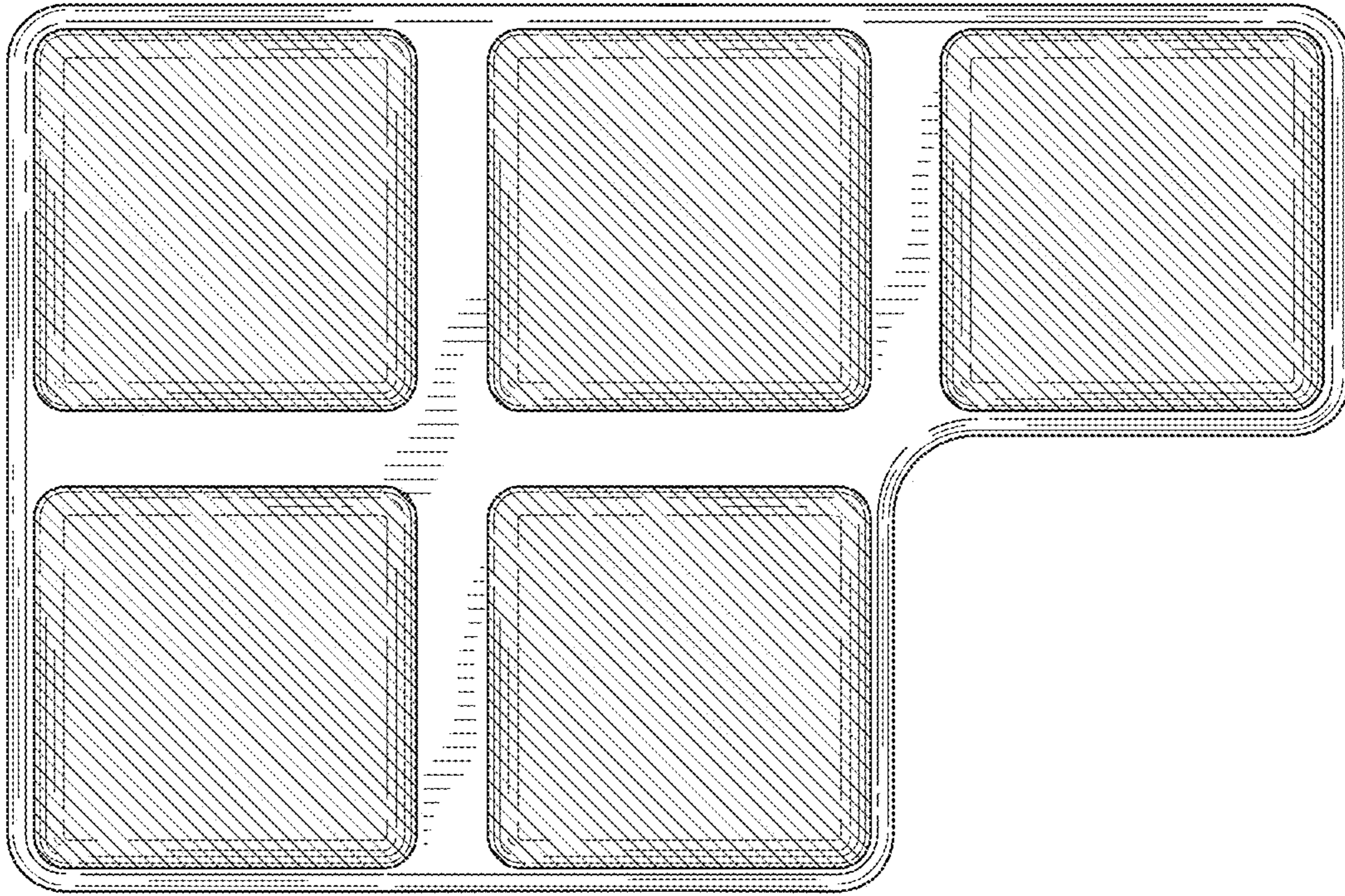


FIG. 27

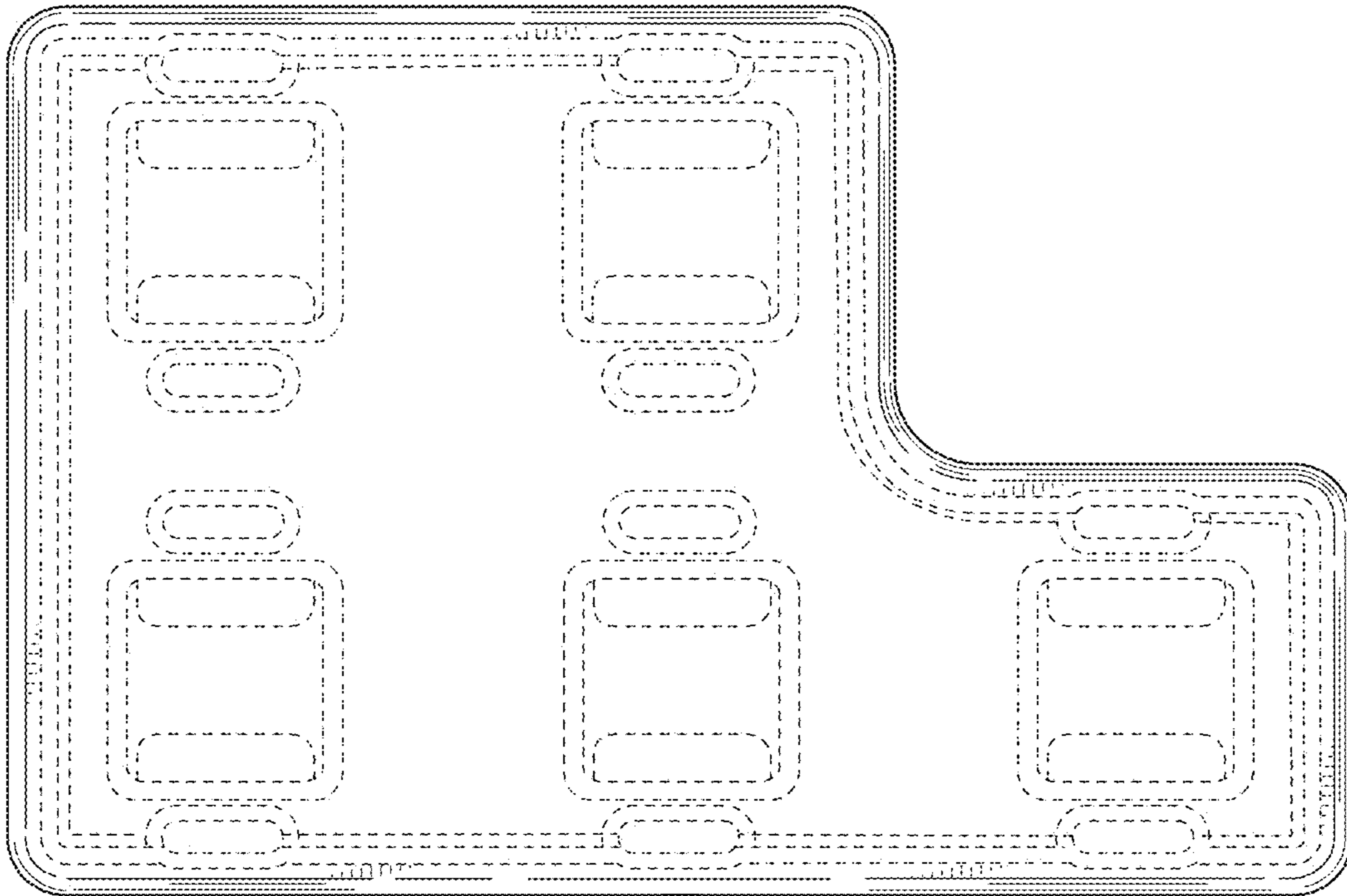


FIG. 28



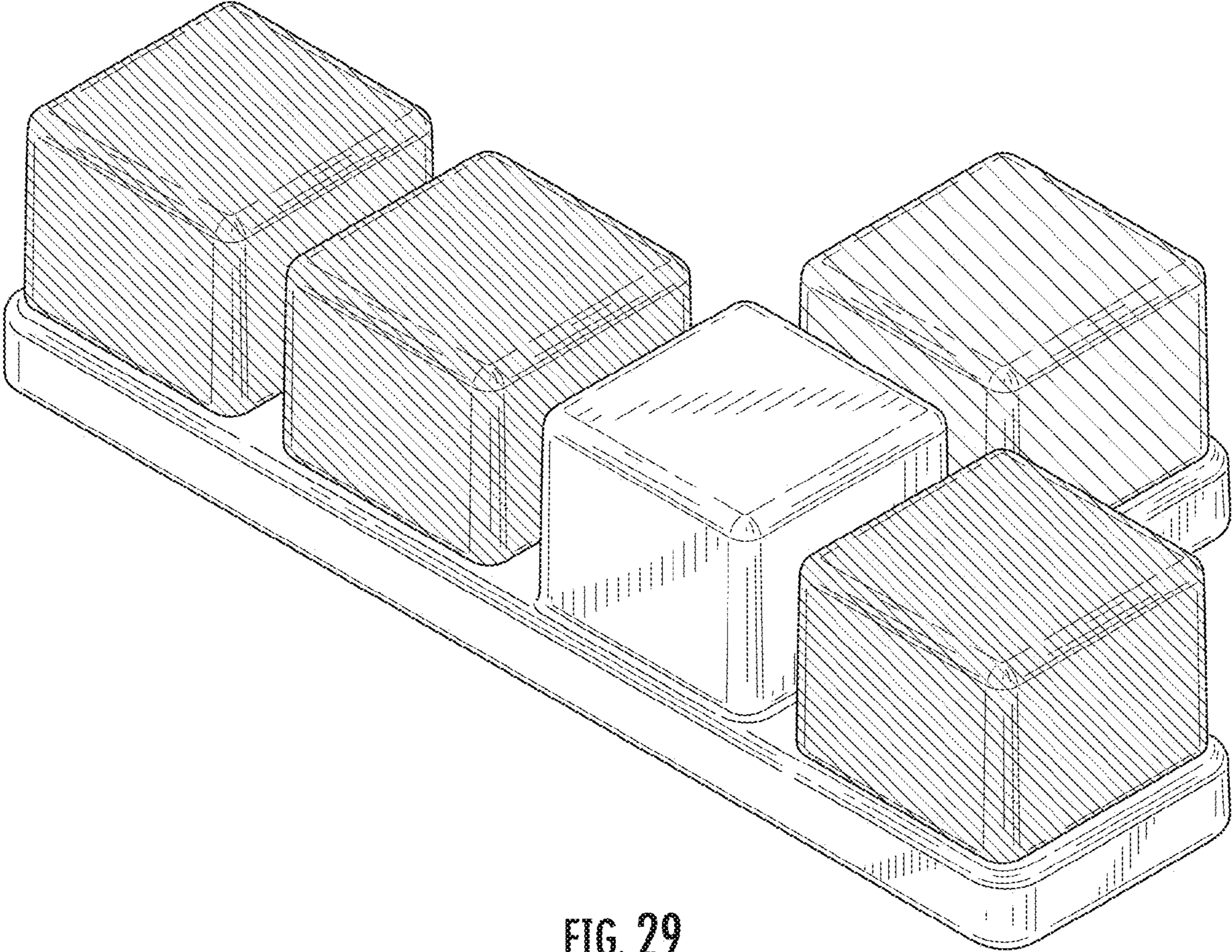


FIG. 29



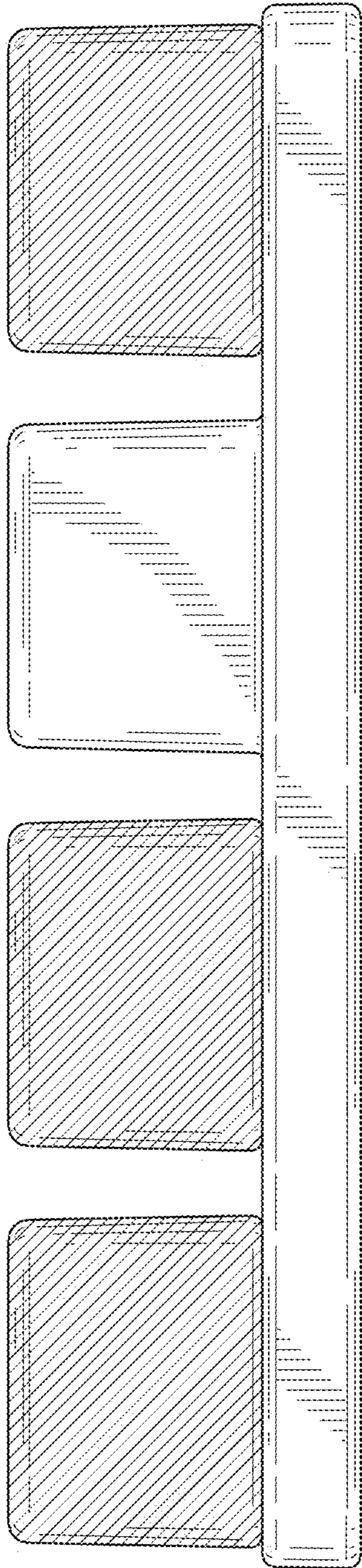


FIG. 30

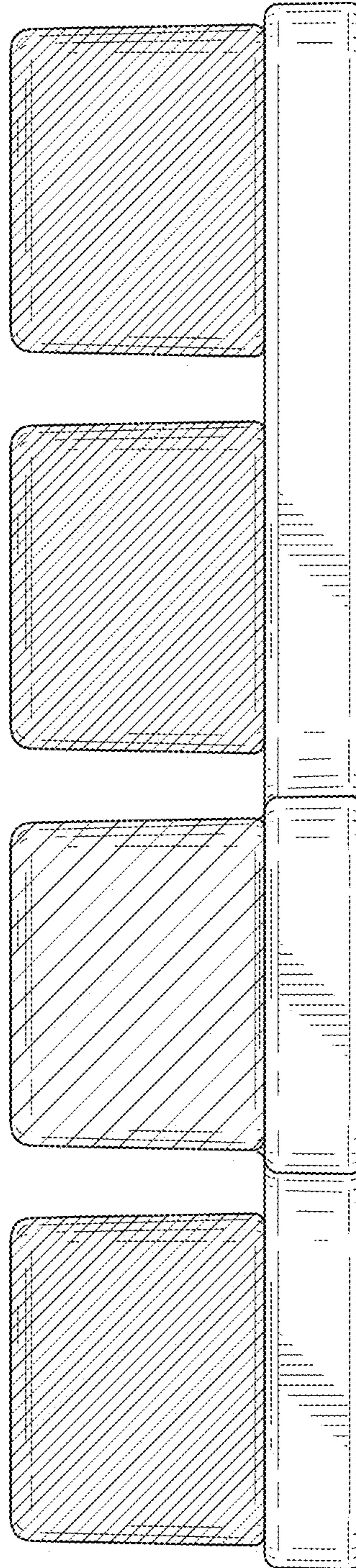


FIG. 31



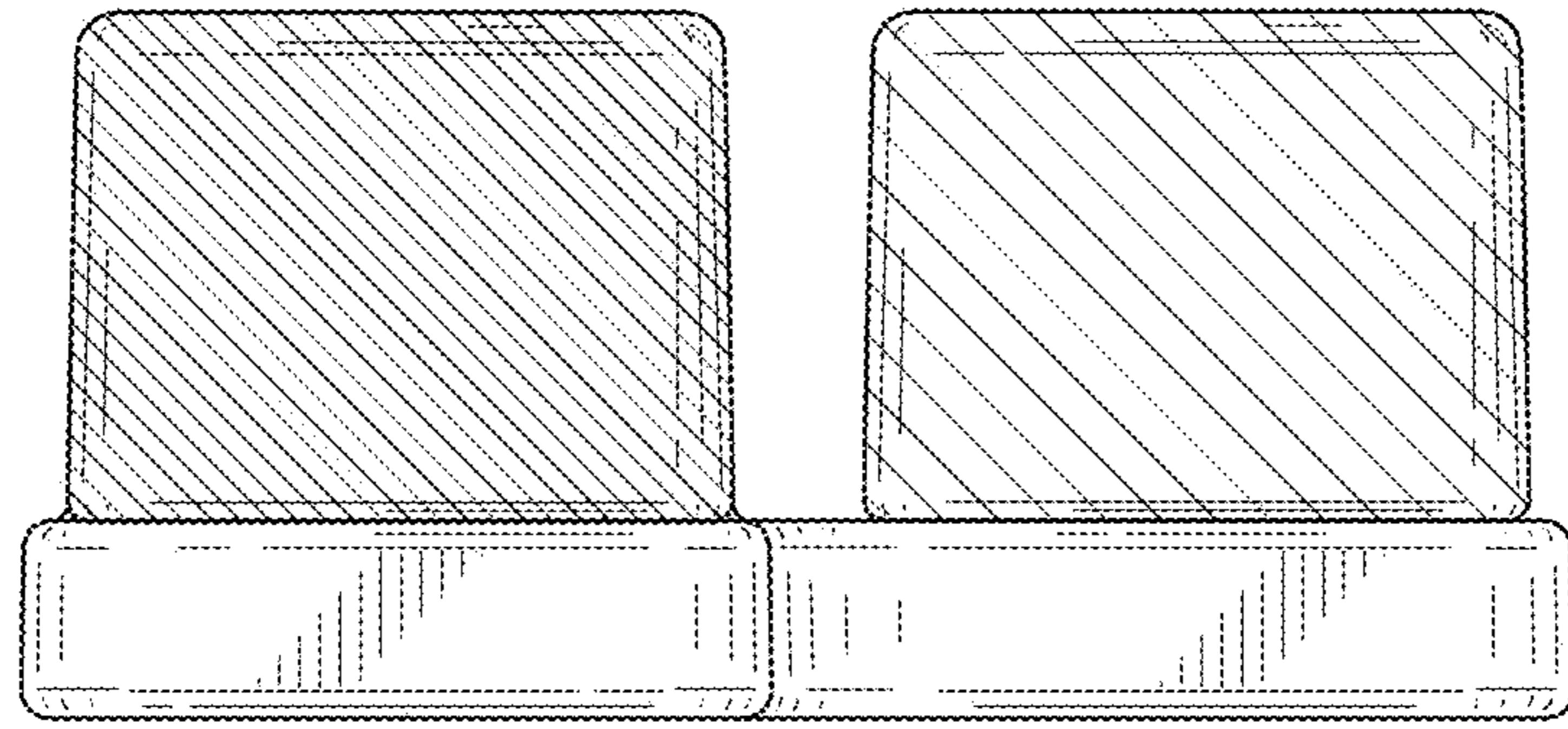


FIG. 32

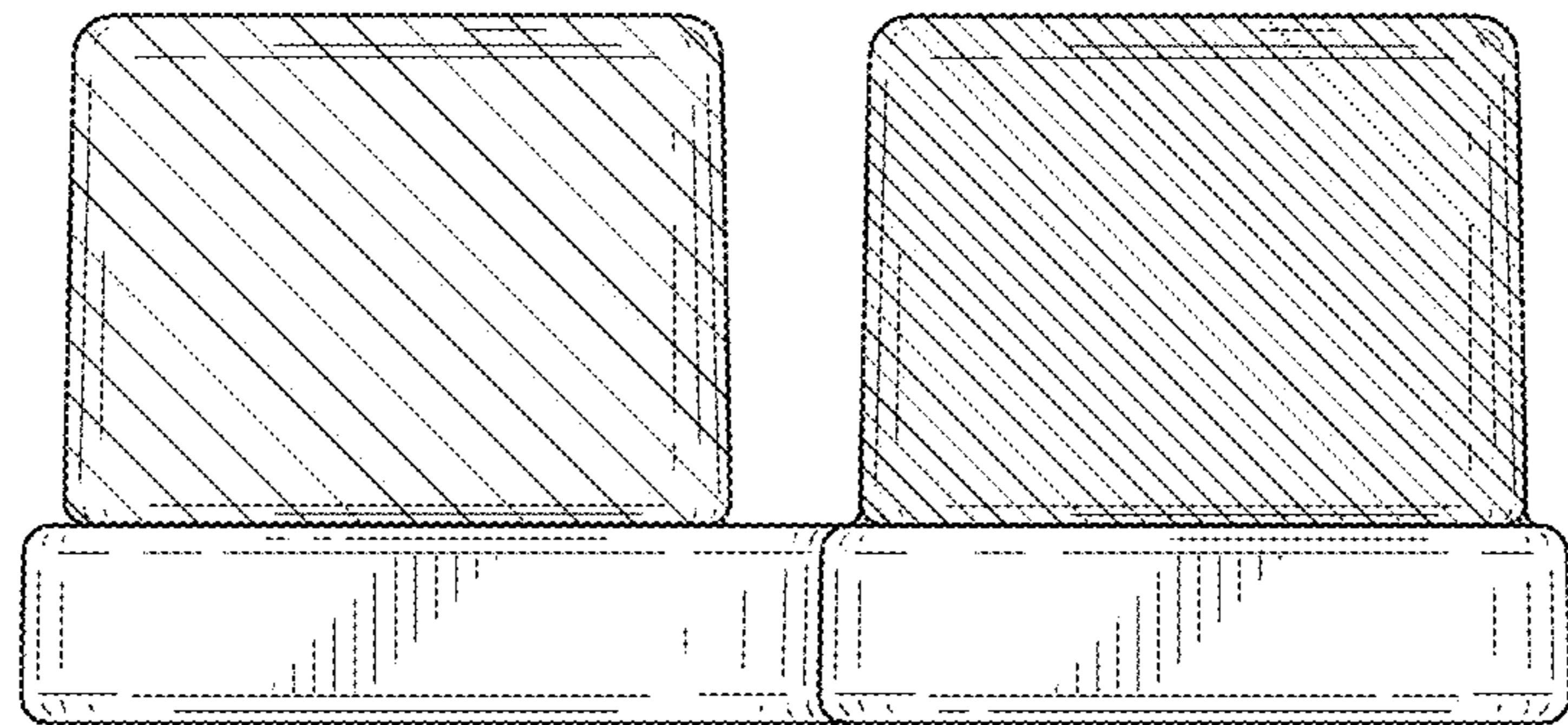


FIG. 33

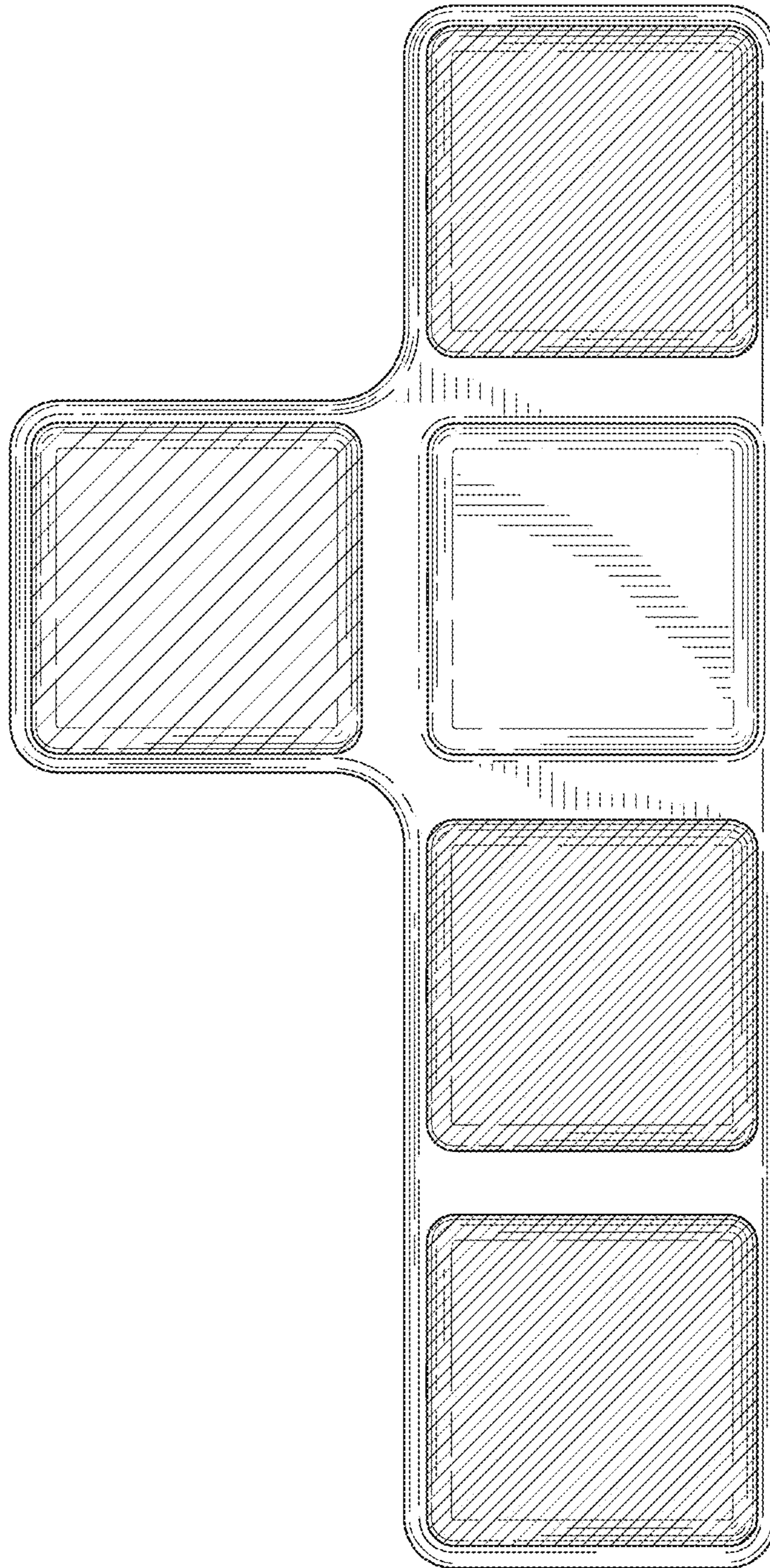


FIG. 34



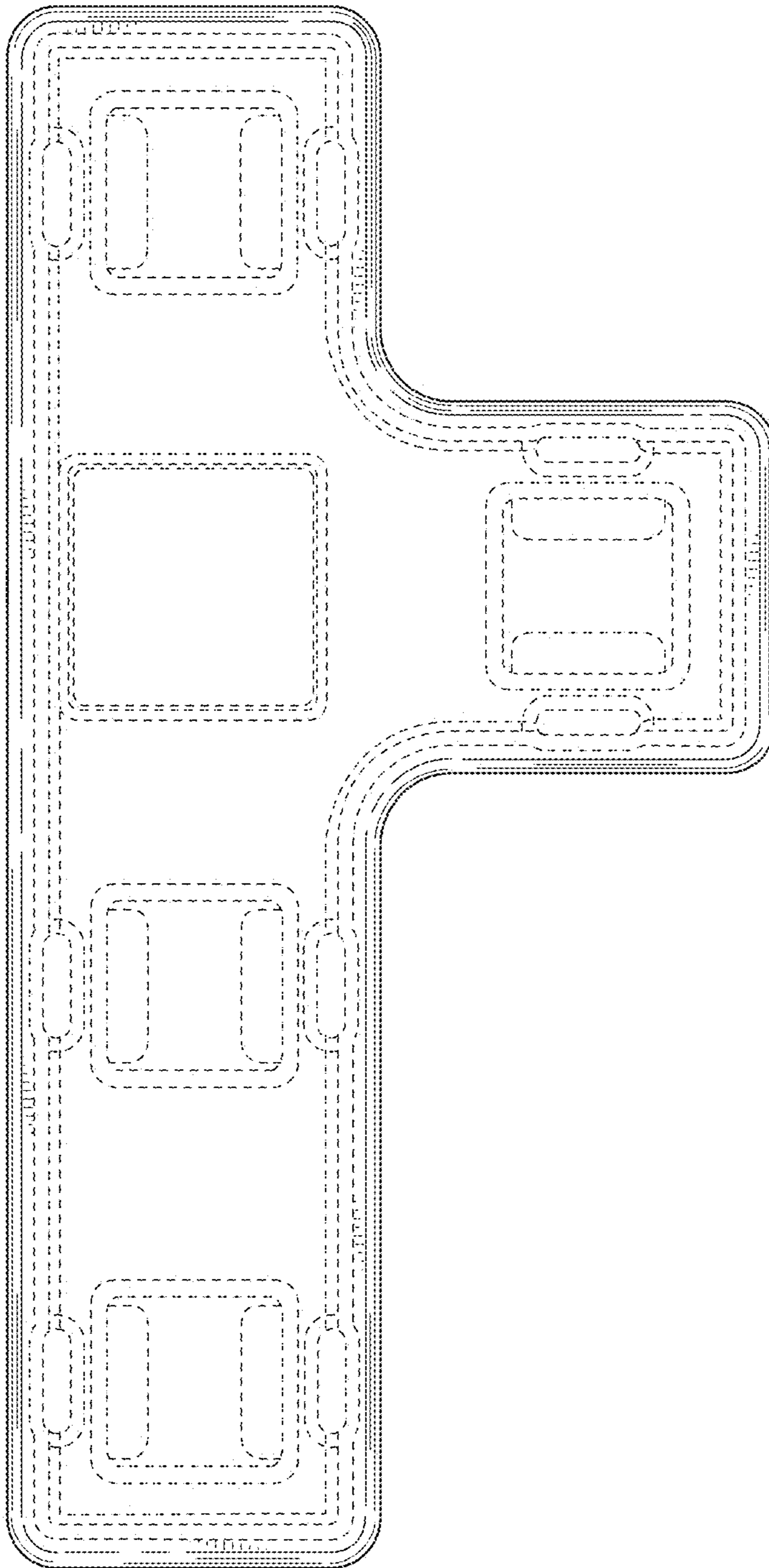


FIG. 35

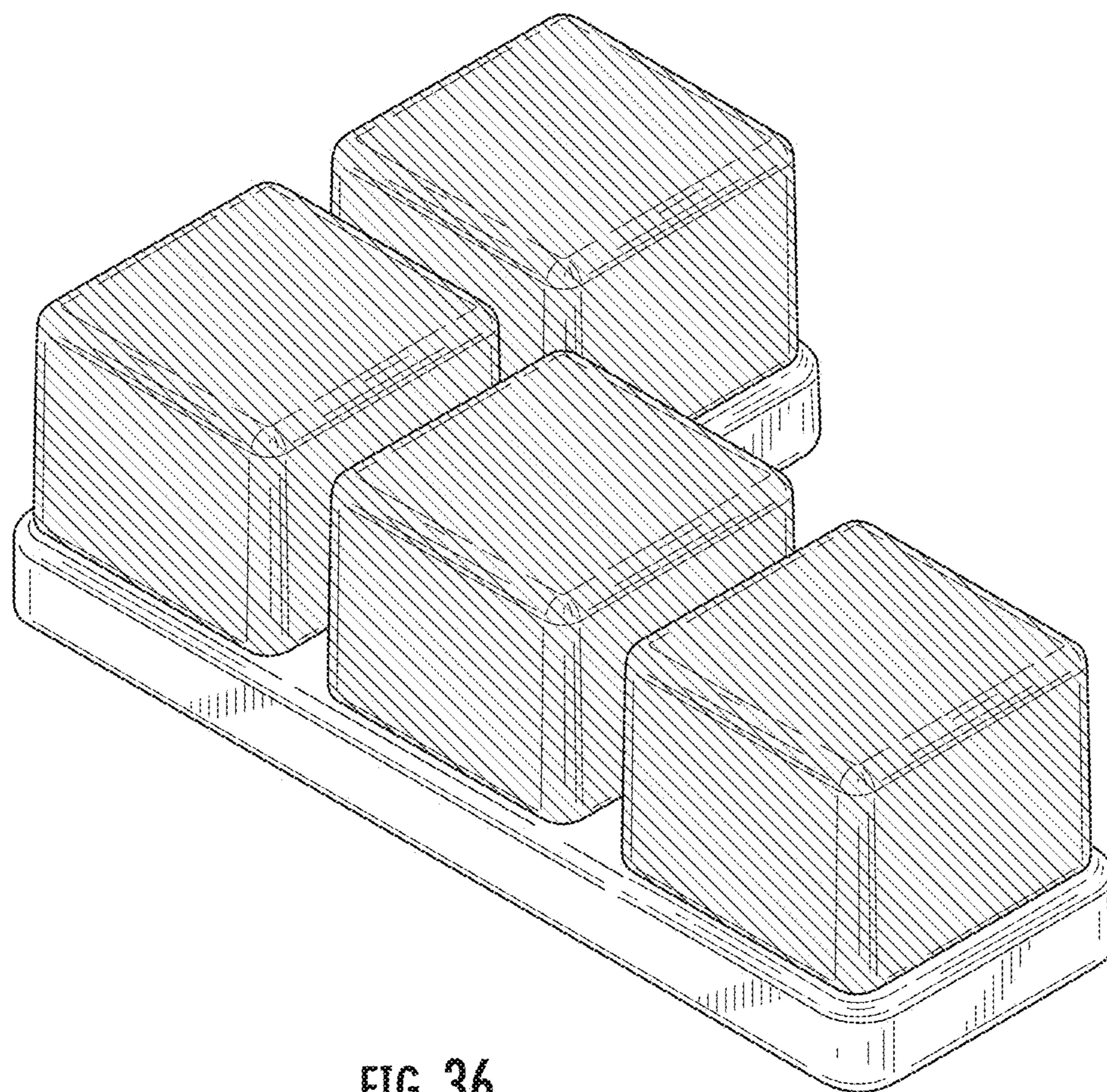


FIG. 36



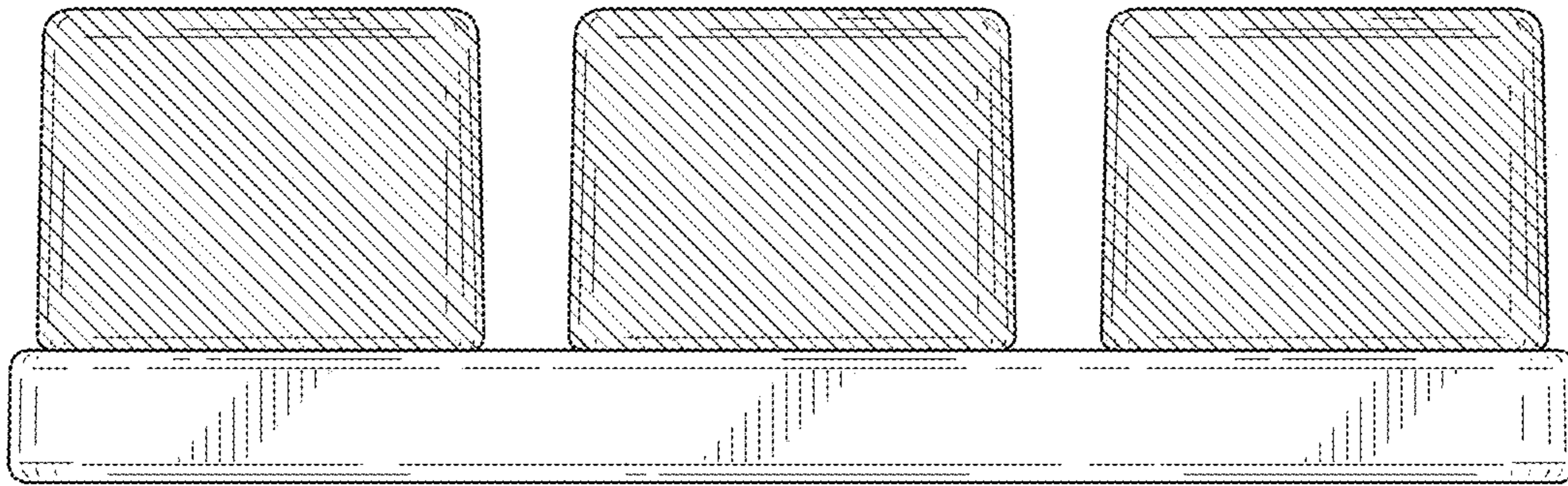


FIG. 37

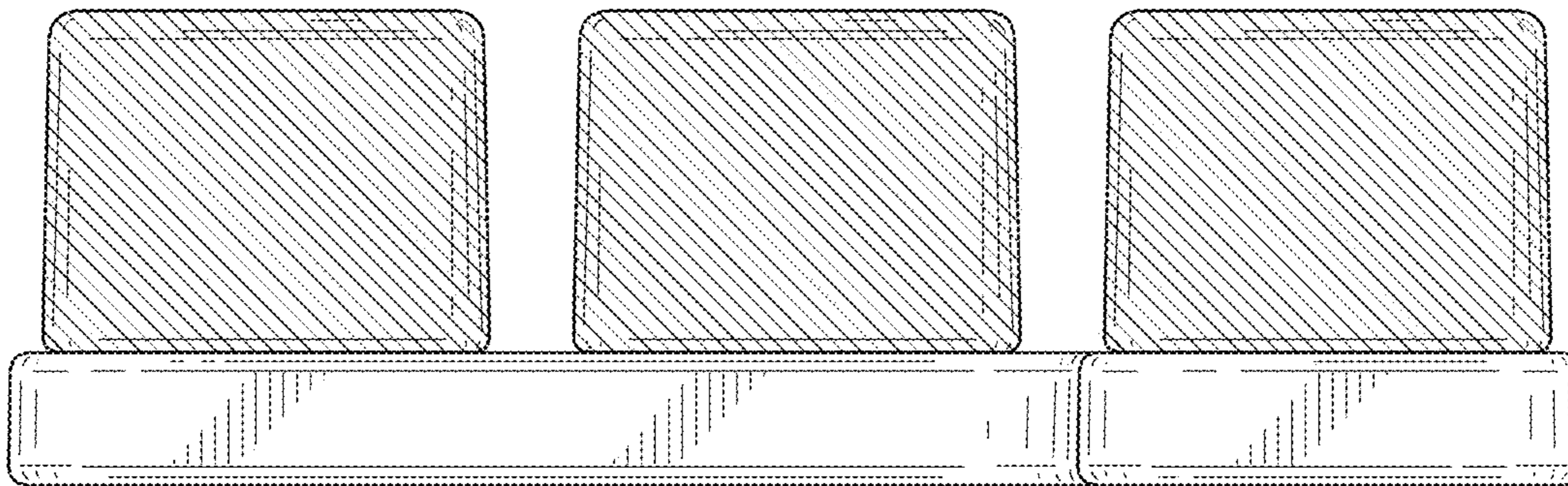


FIG. 38

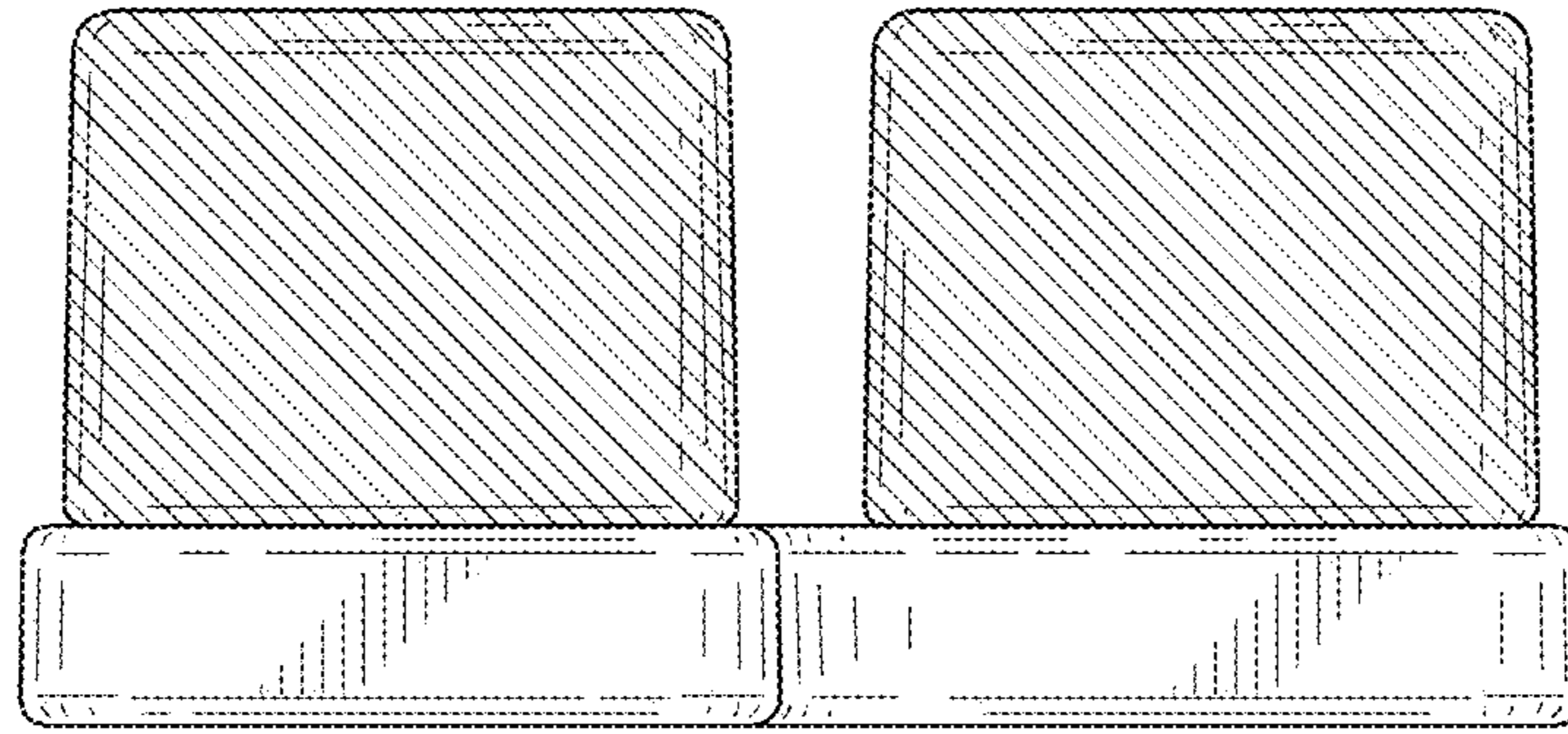


FIG. 39

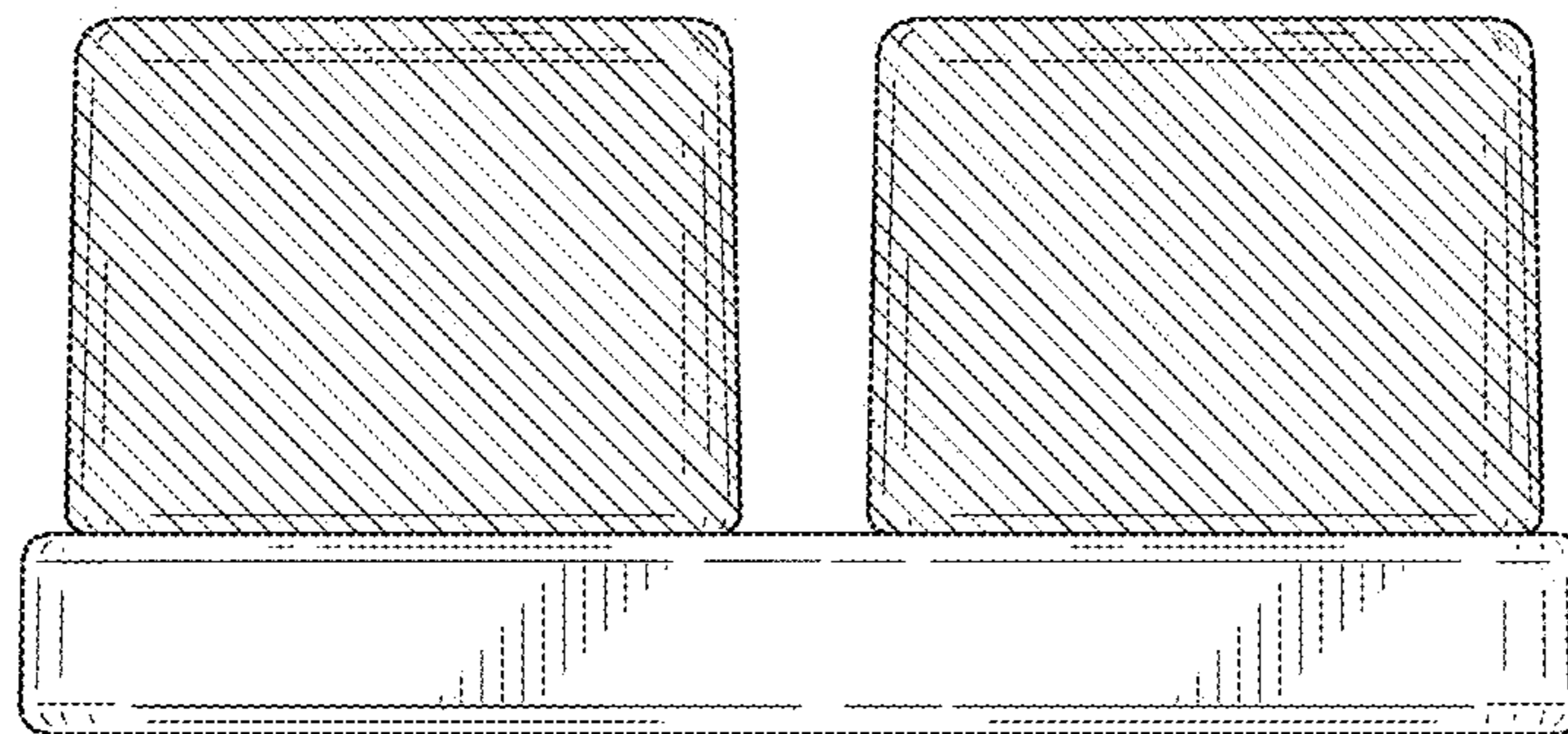


FIG. 40



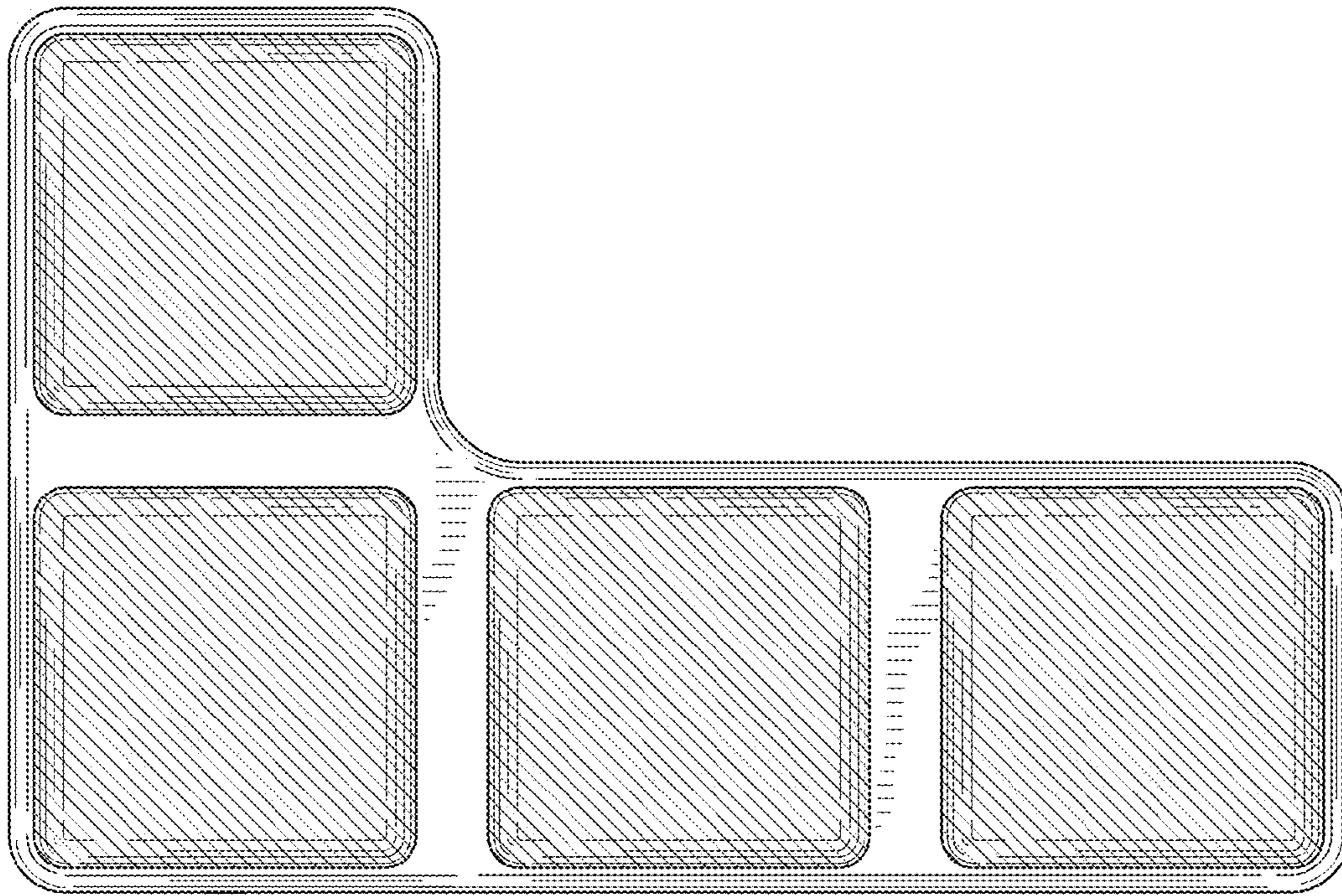


FIG. 41

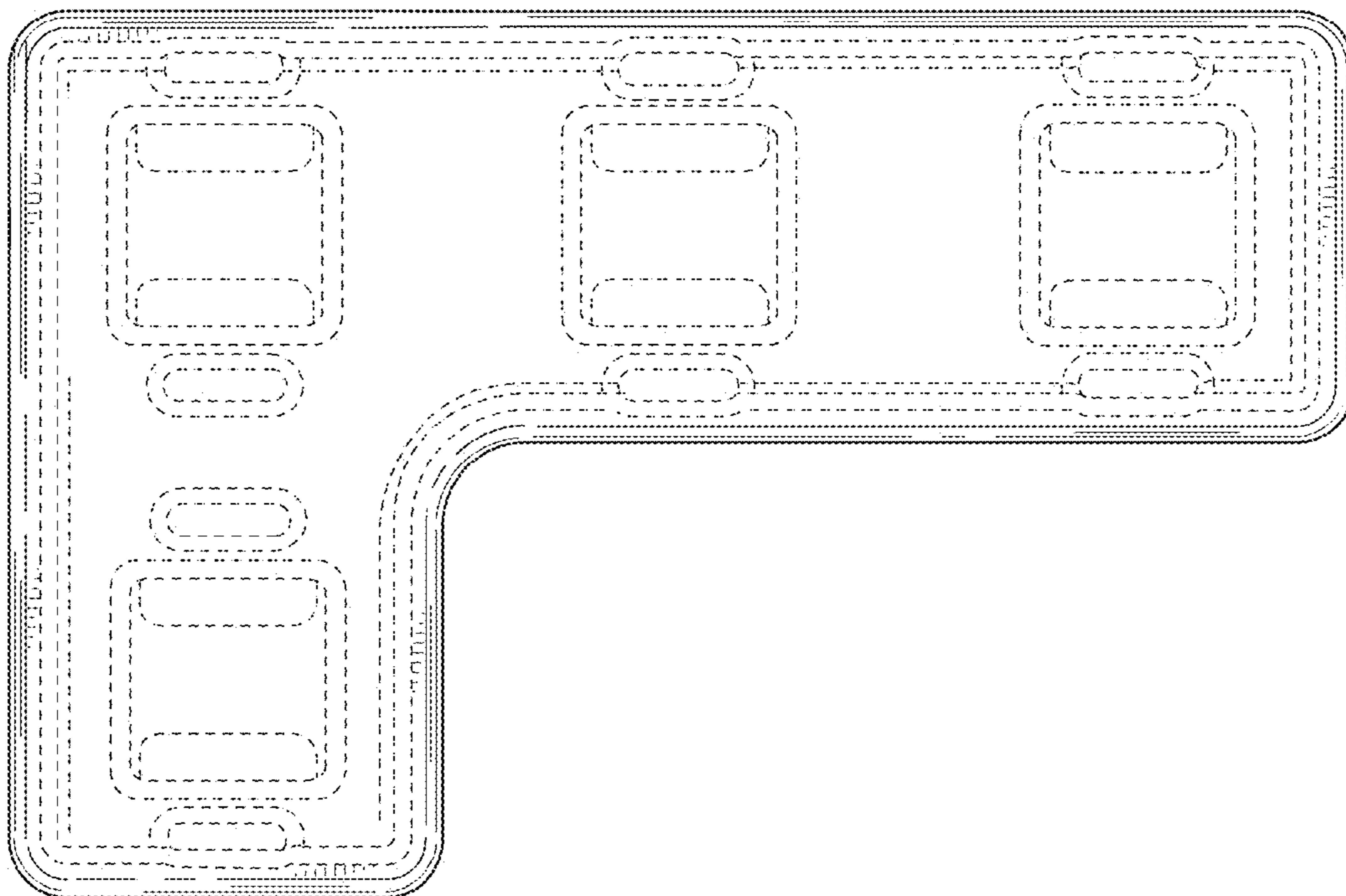


FIG. 42

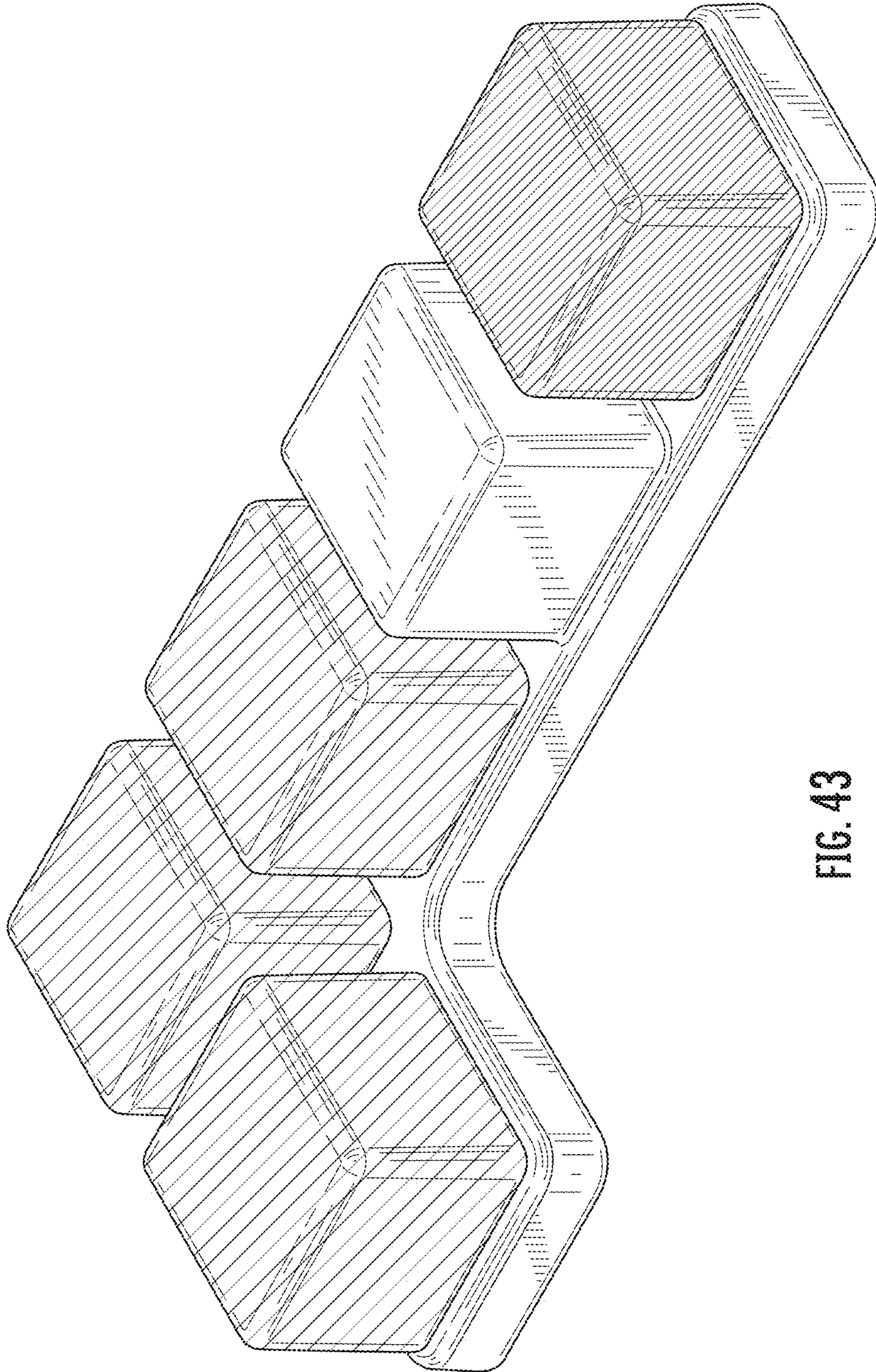


FIG. 43



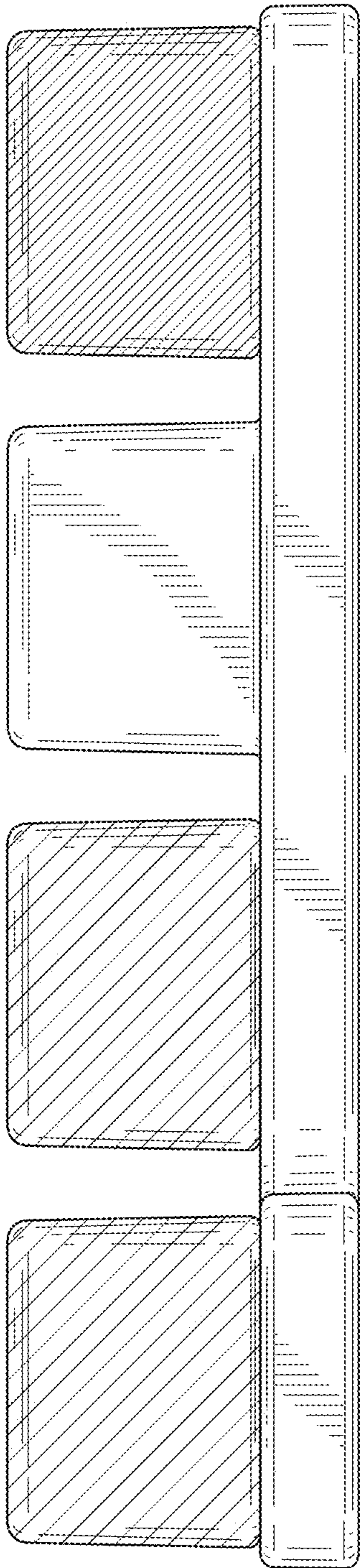


FIG. 44

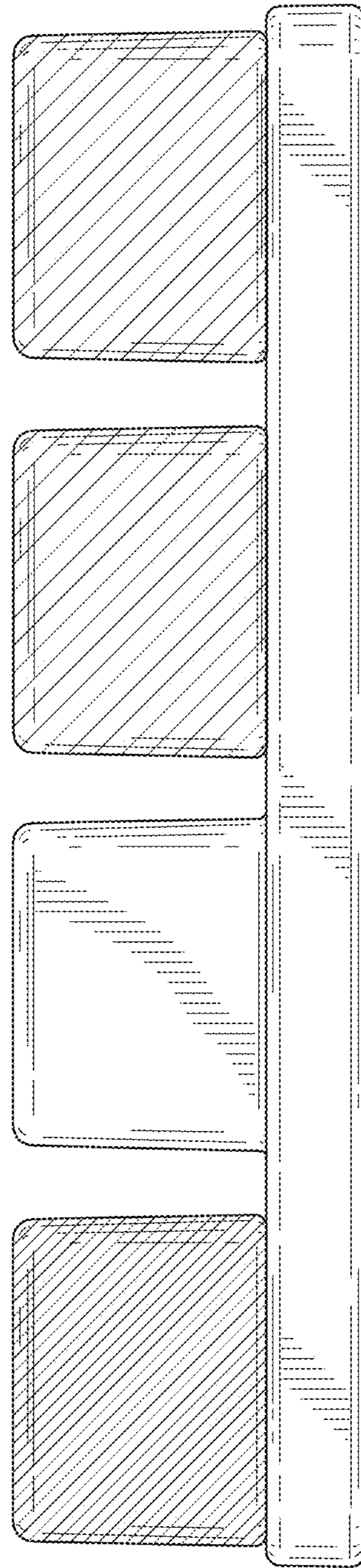


FIG. 45

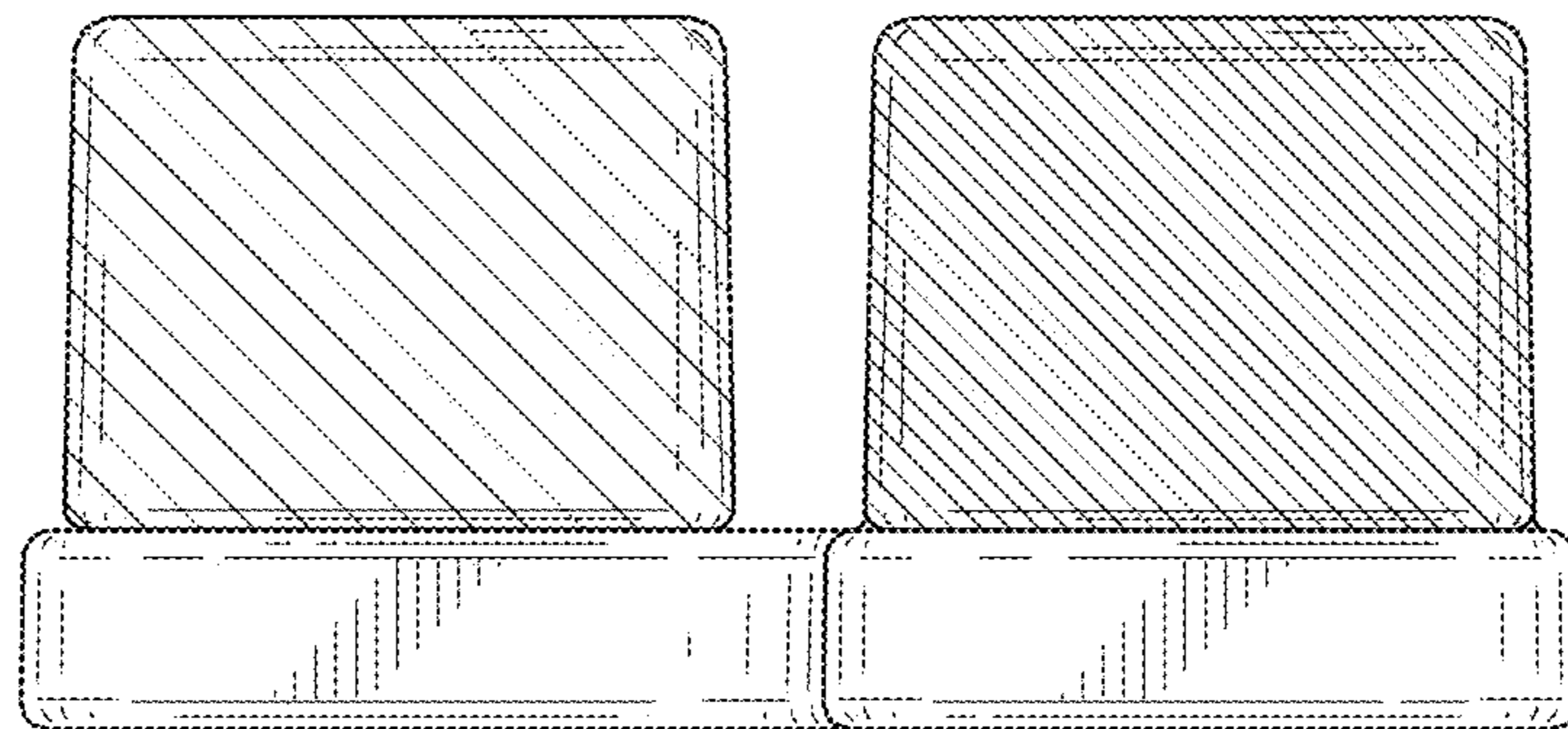


FIG. 46

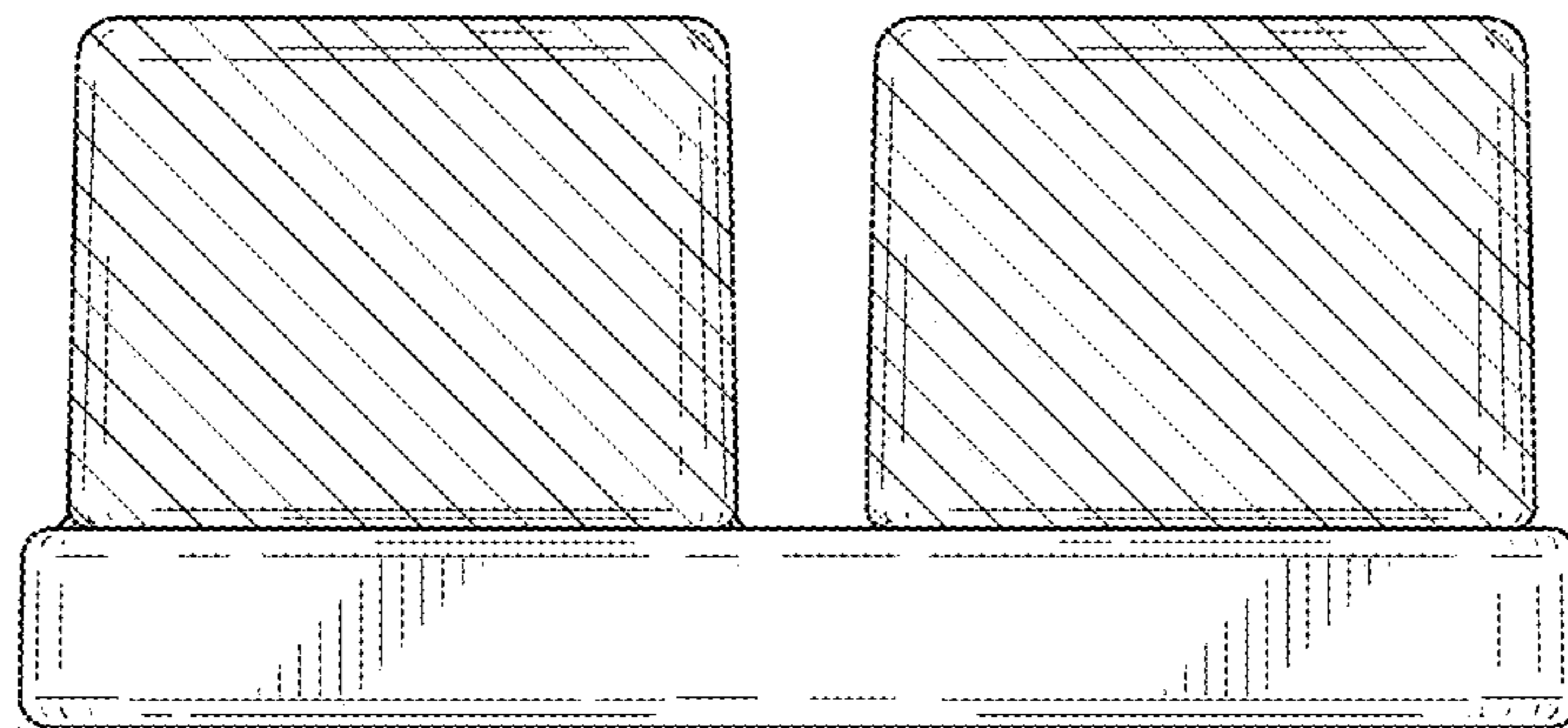


FIG. 47



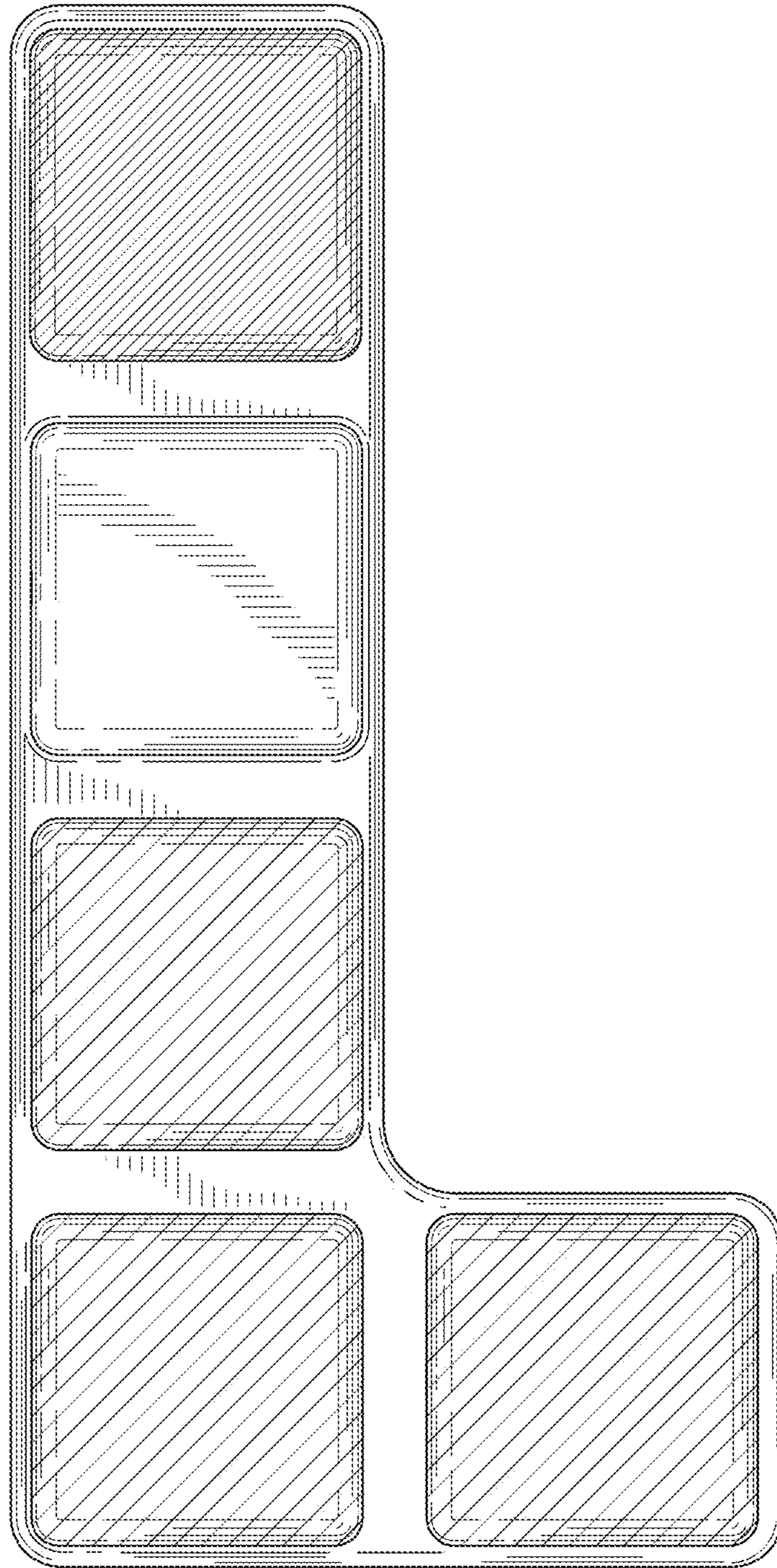


FIG. 48

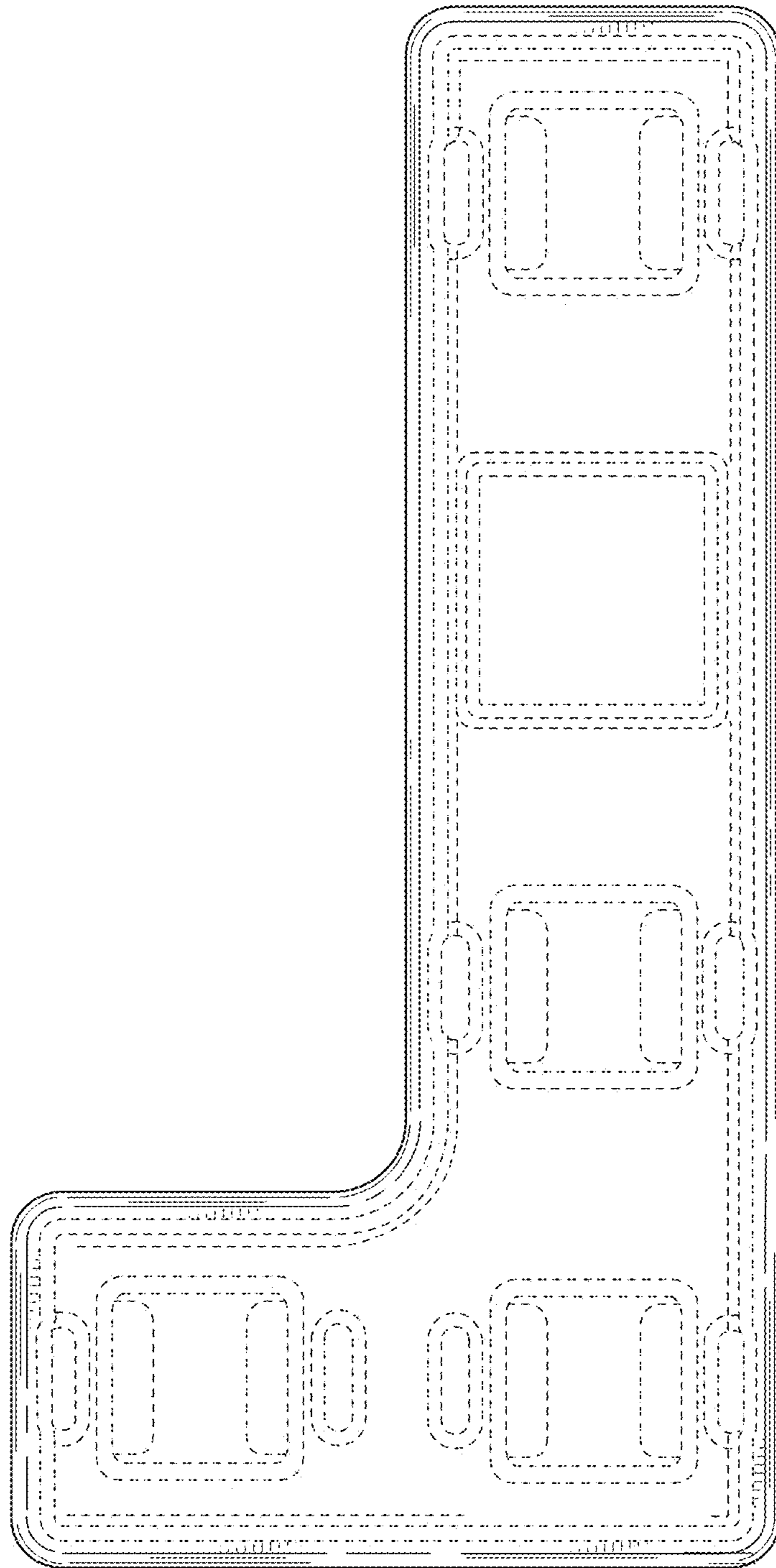


FIG. 49



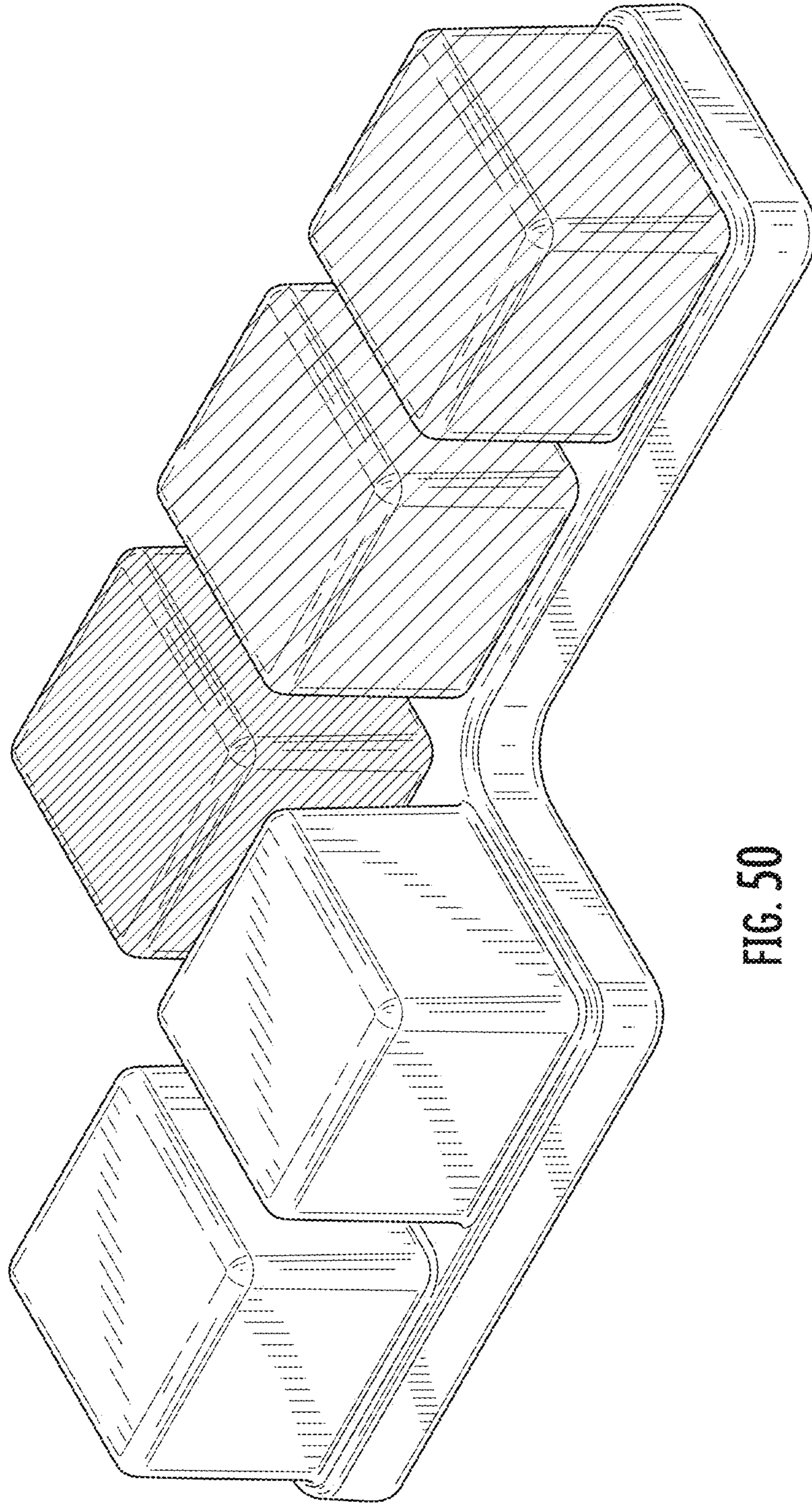


FIG. 50

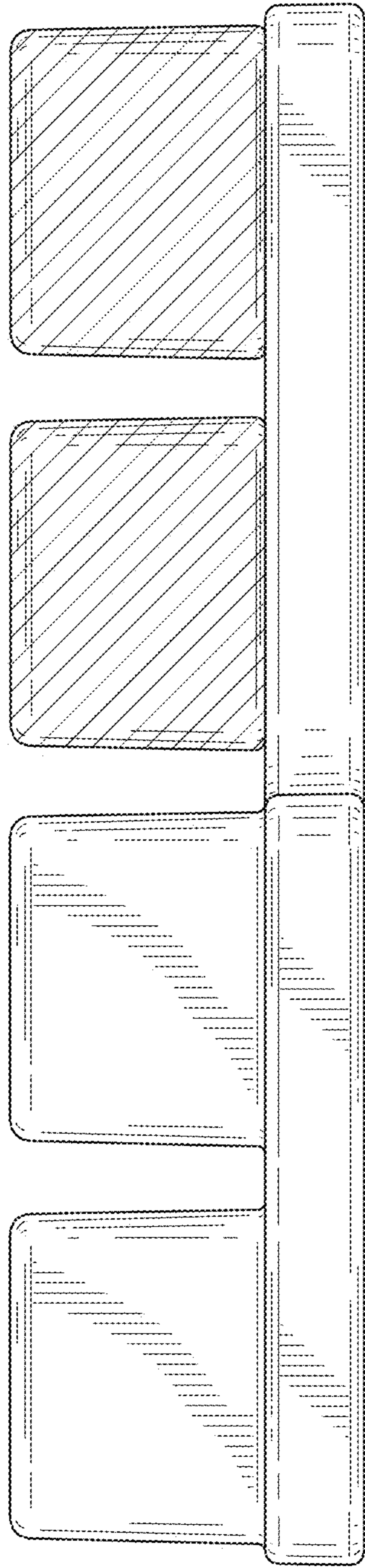


FIG. 51

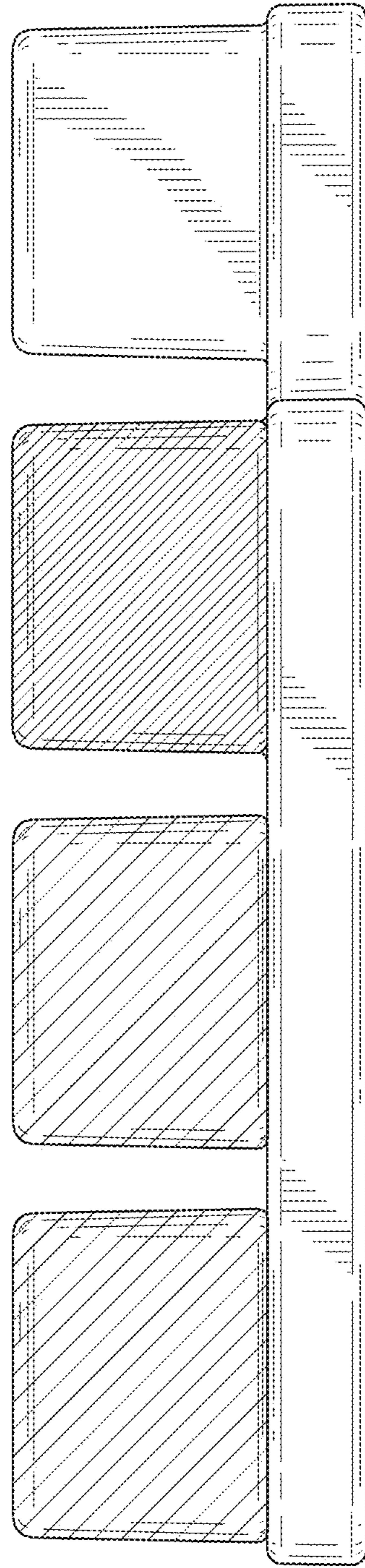


FIG. 52



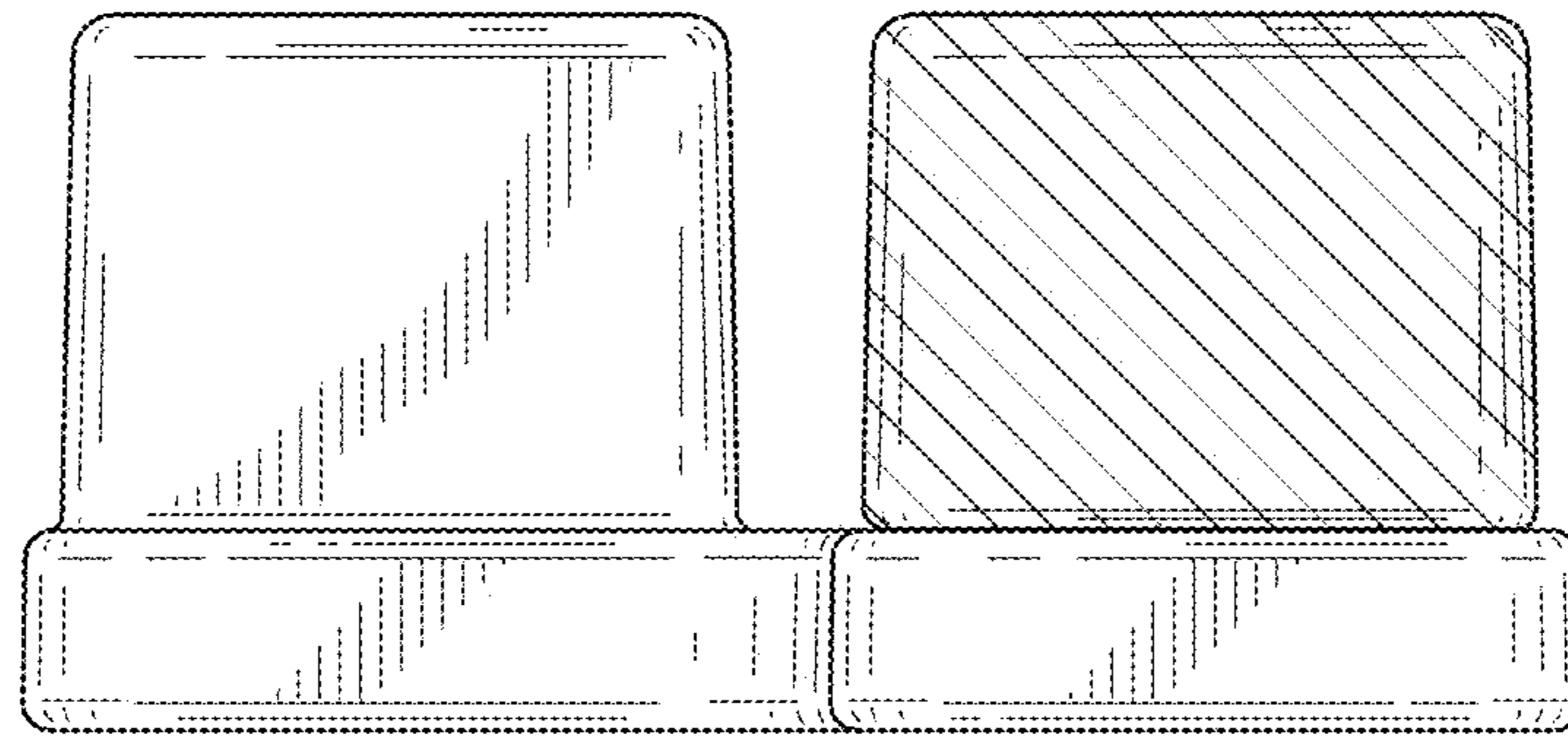


FIG. 53

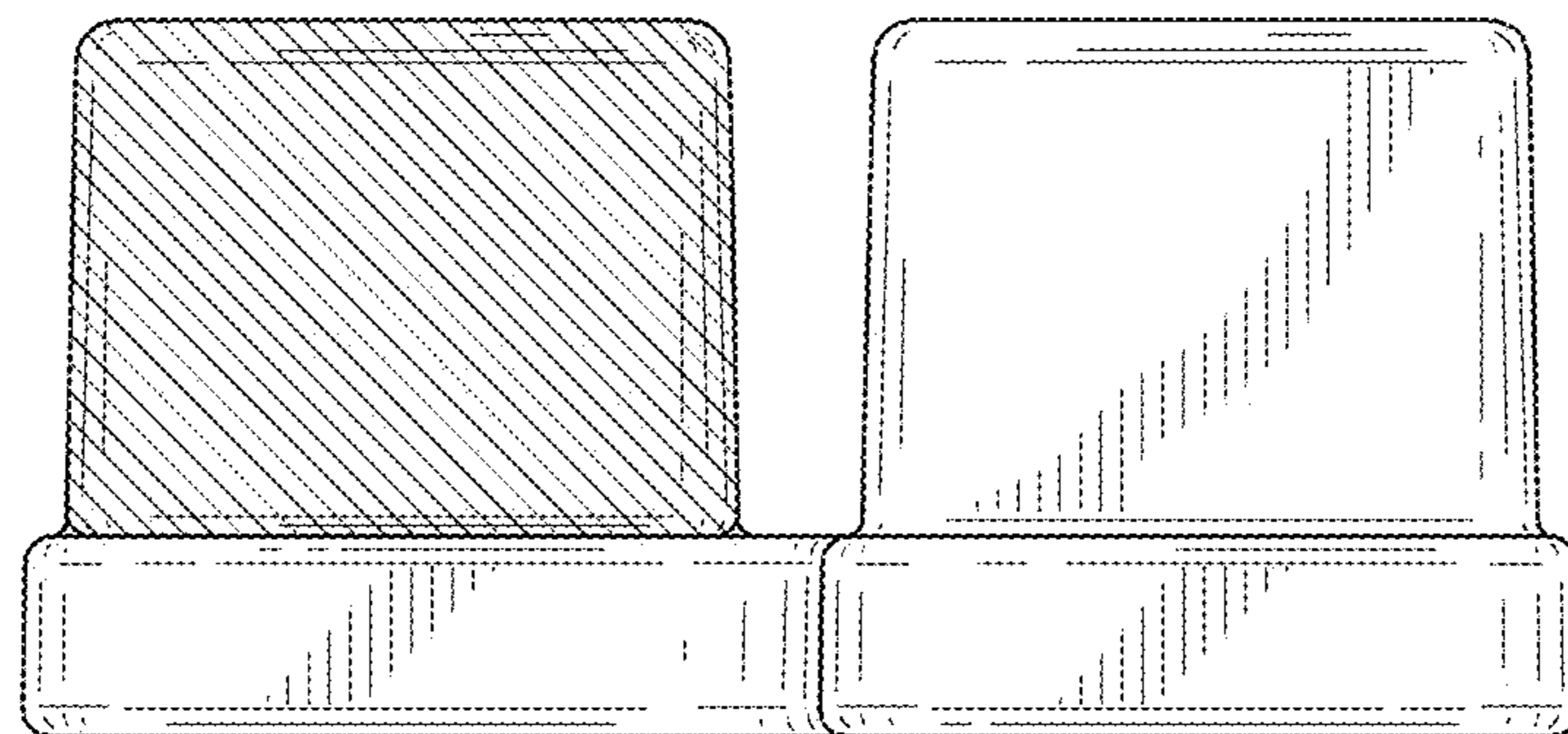


FIG. 54

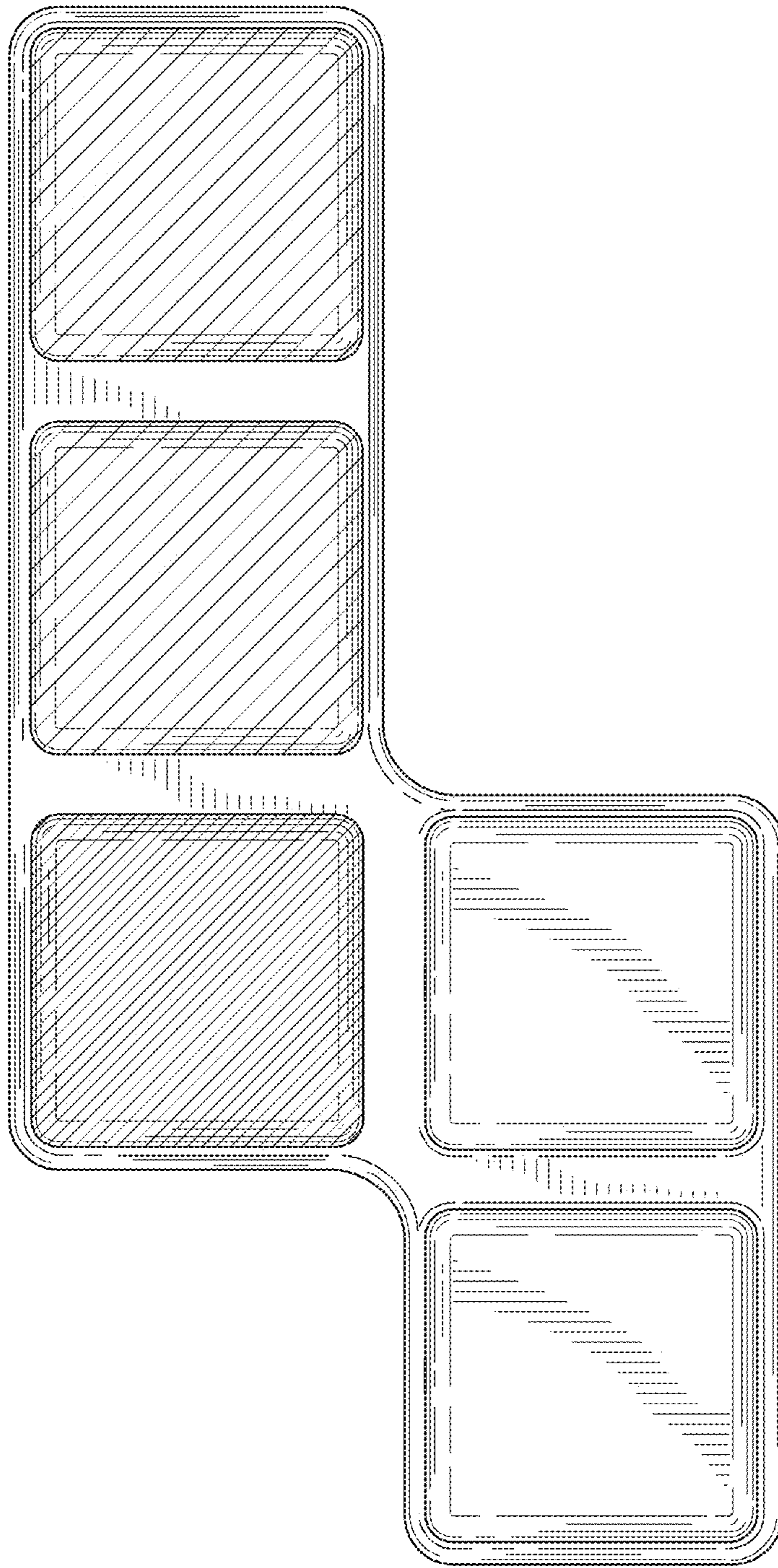


FIG. 55



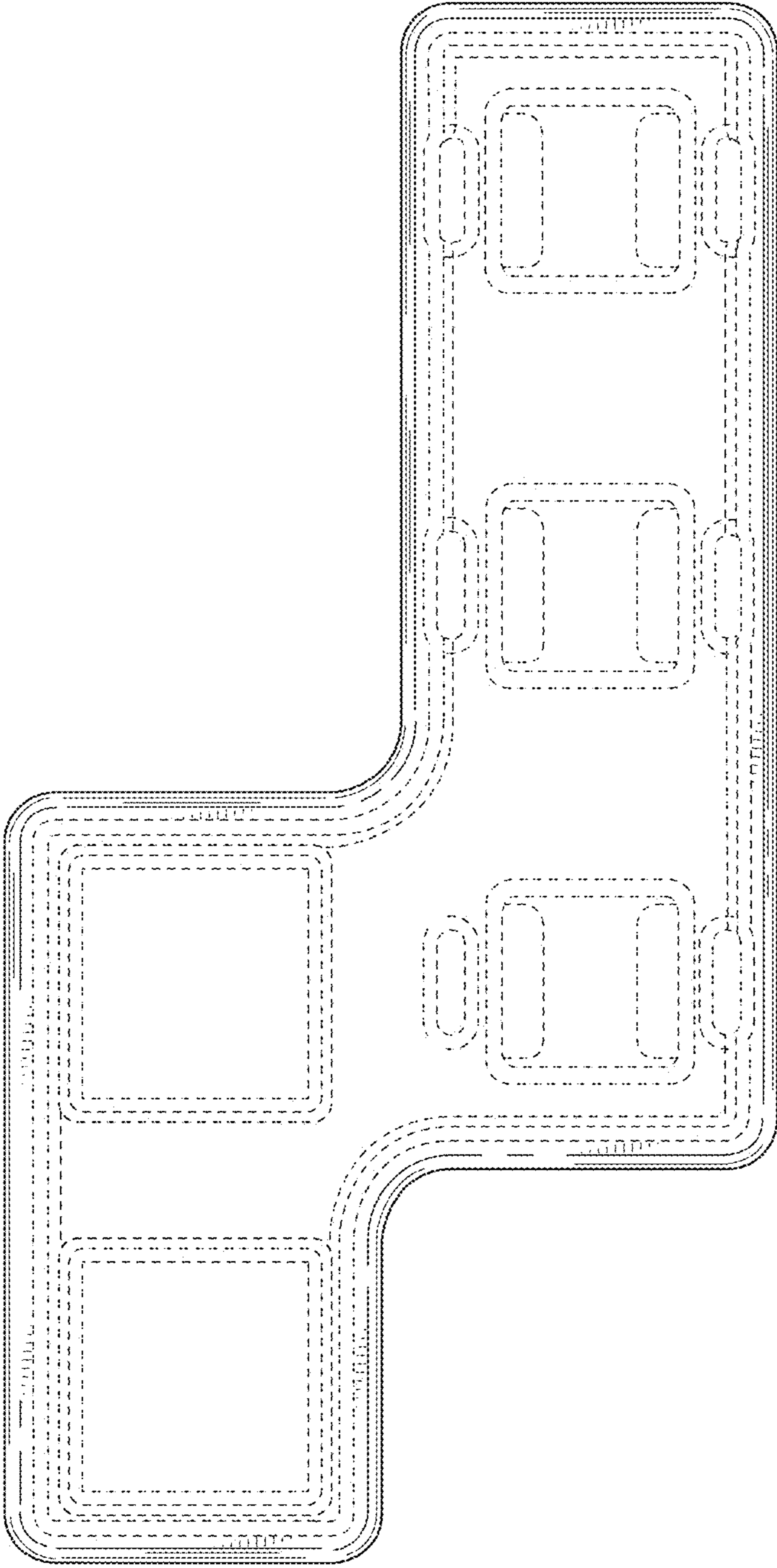


FIG. 56

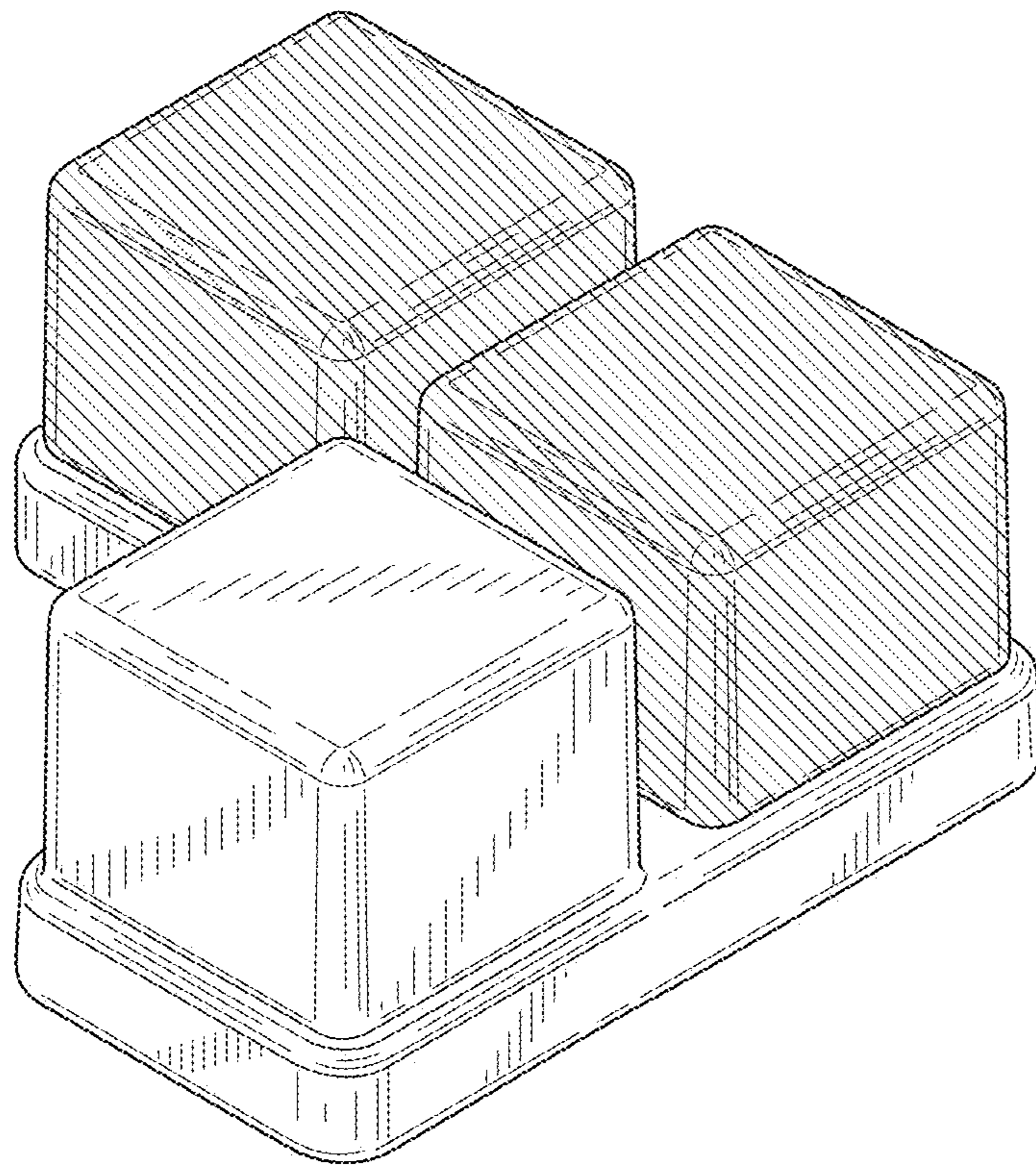


FIG. 57



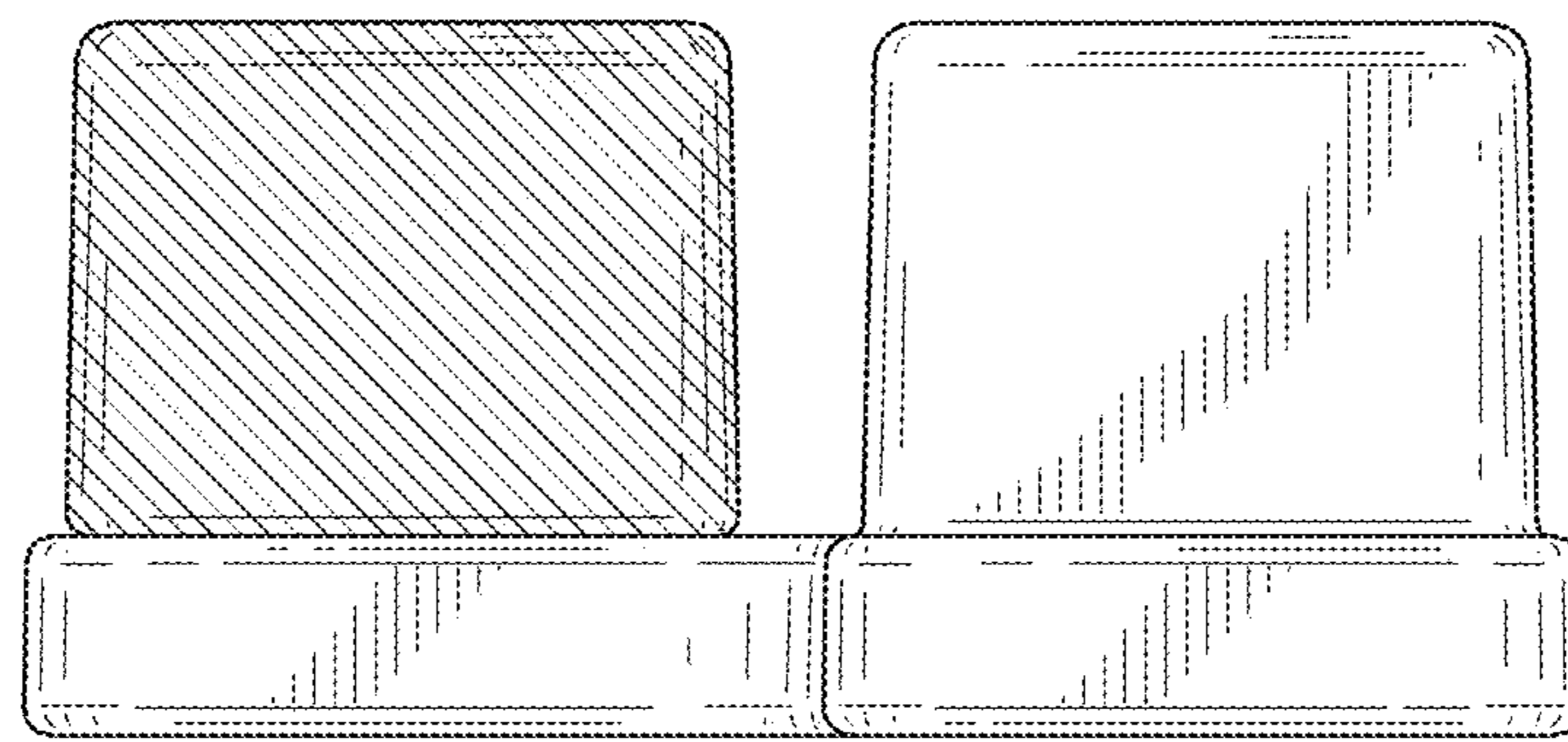


FIG. 58

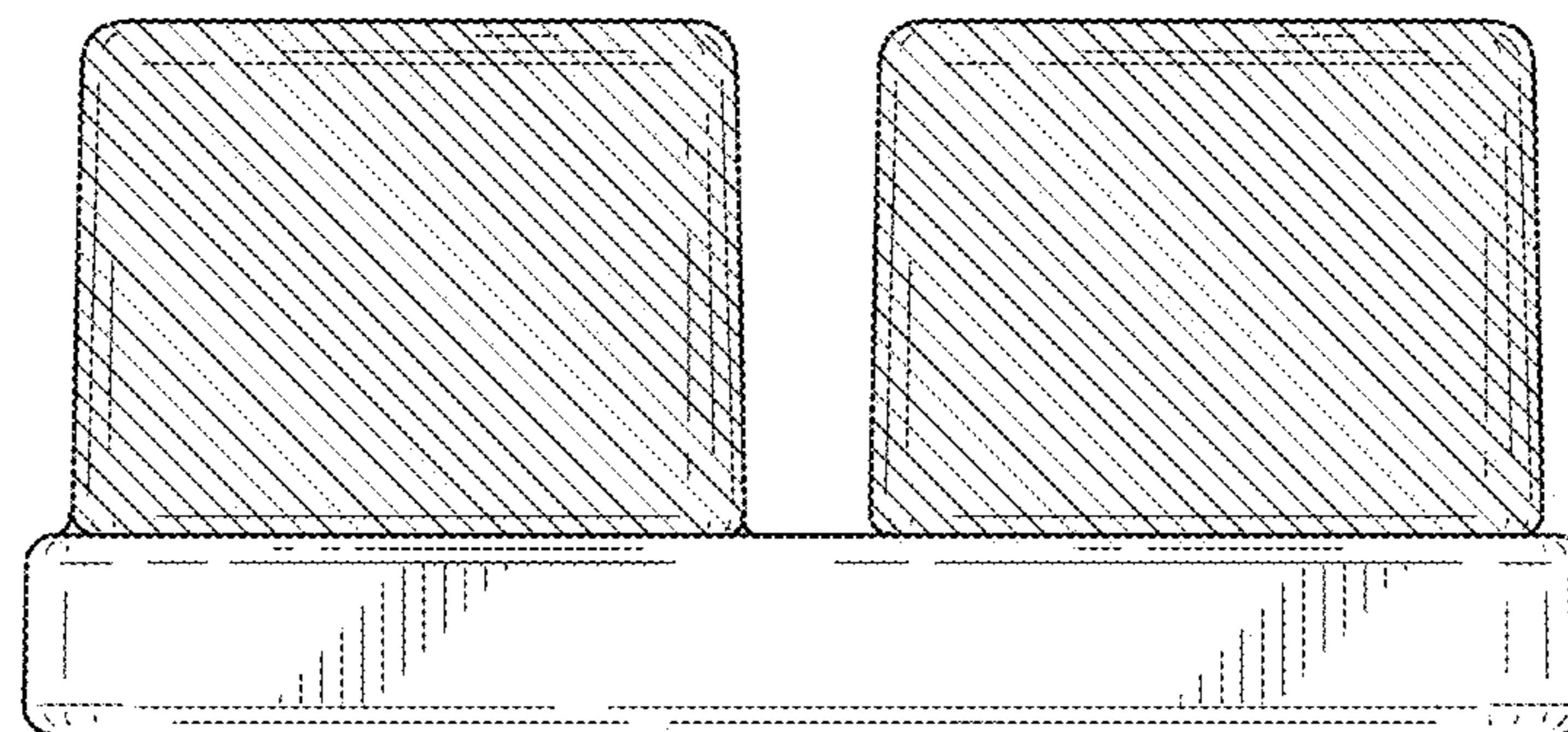


FIG. 59

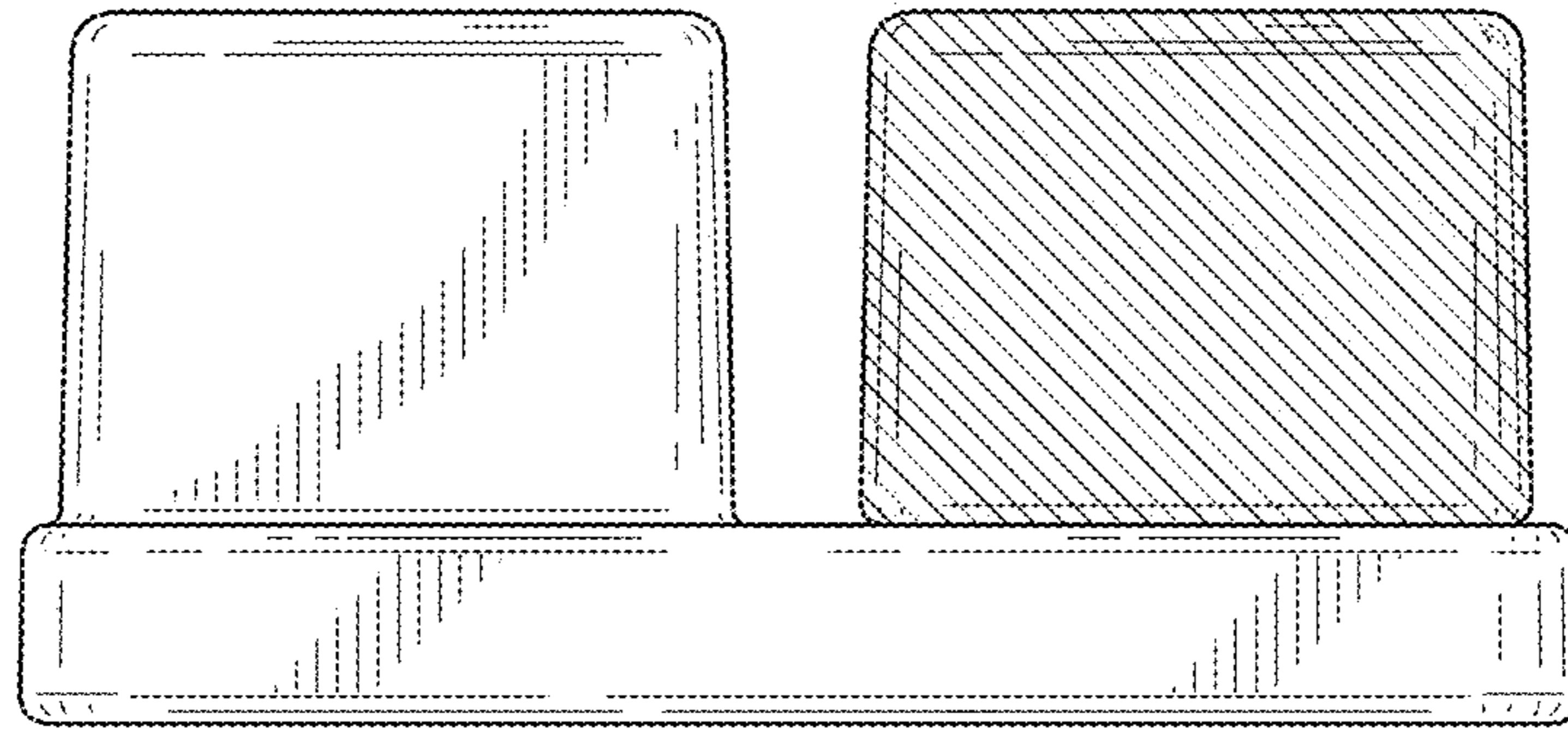


FIG. 60

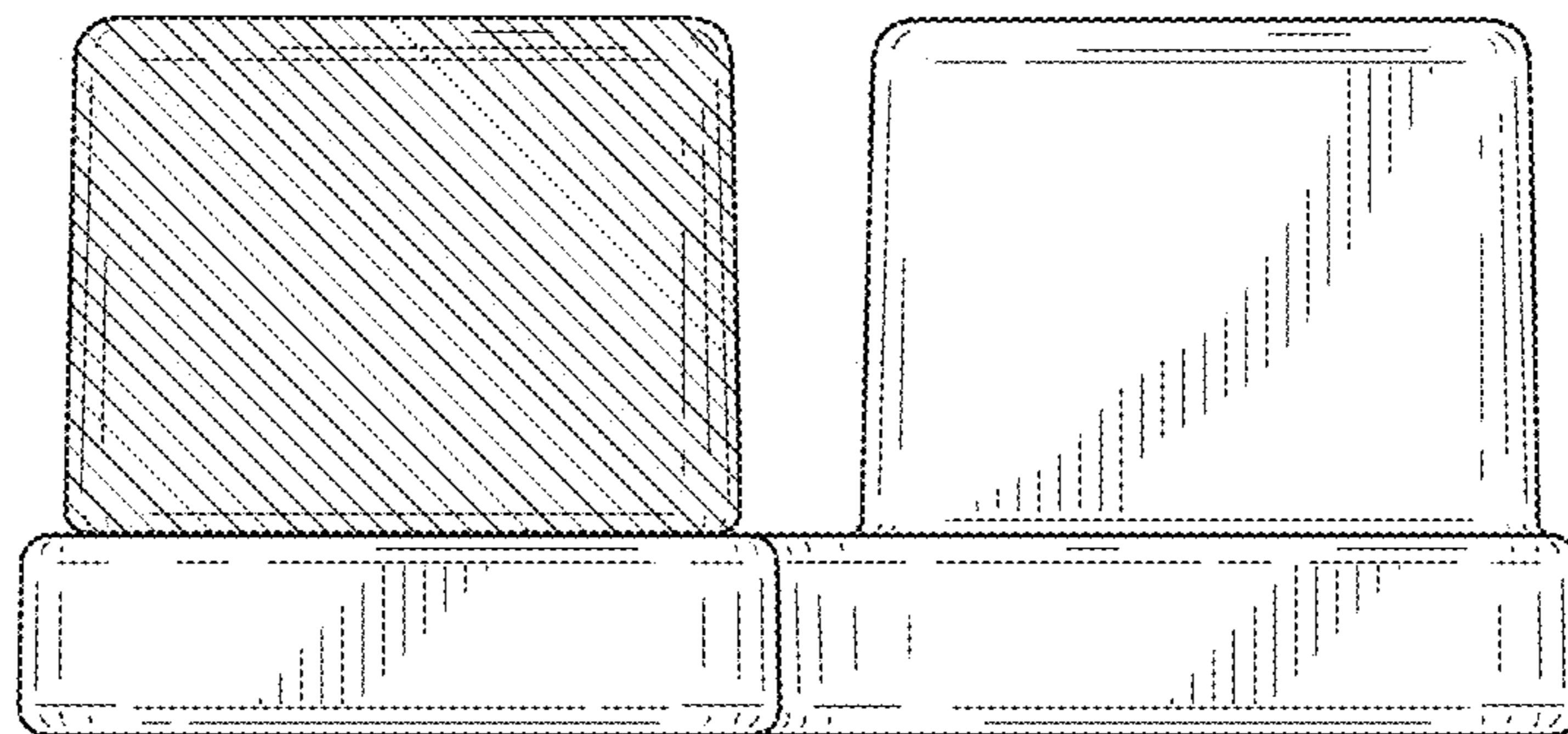


FIG. 61



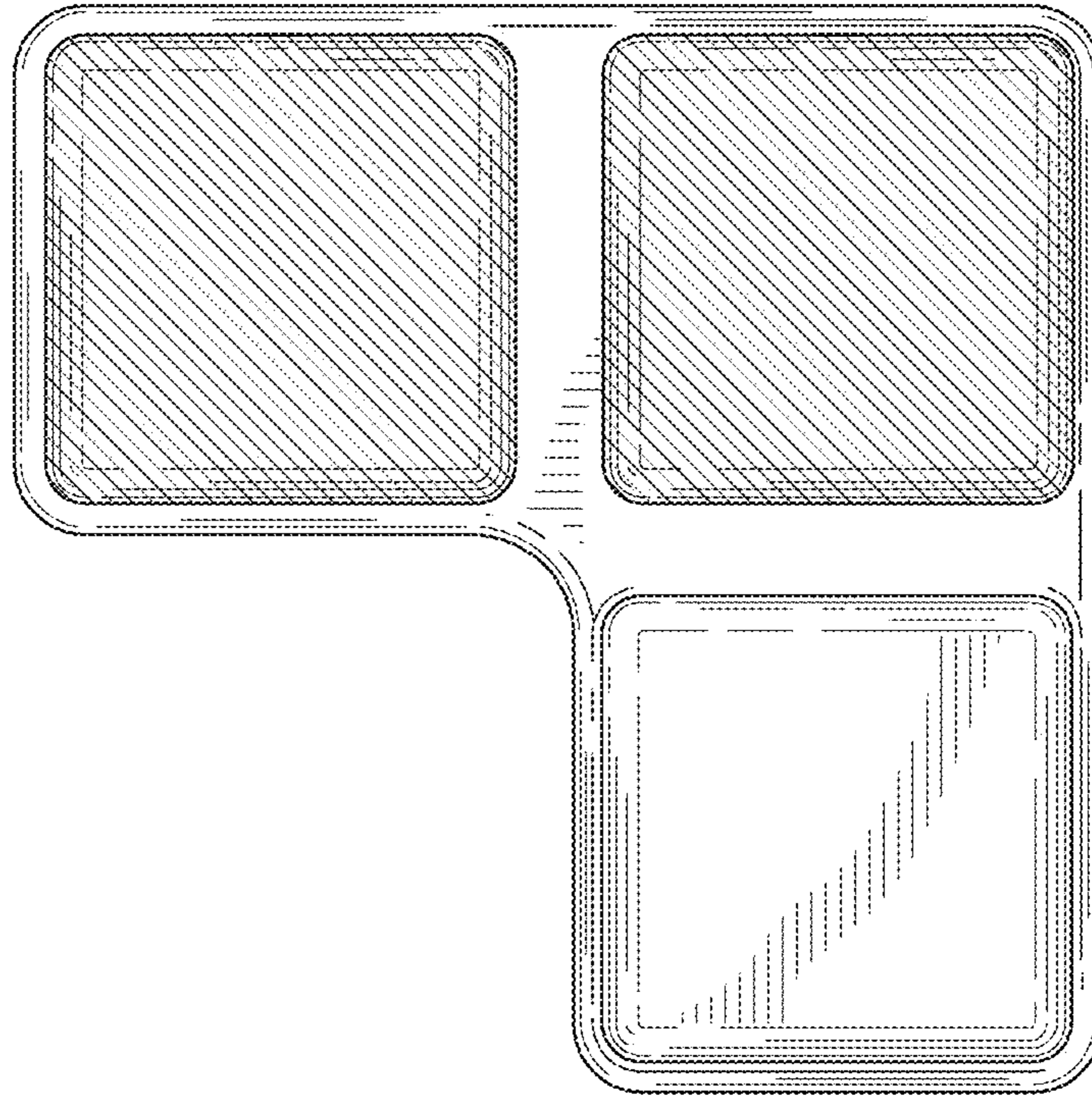


FIG. 62

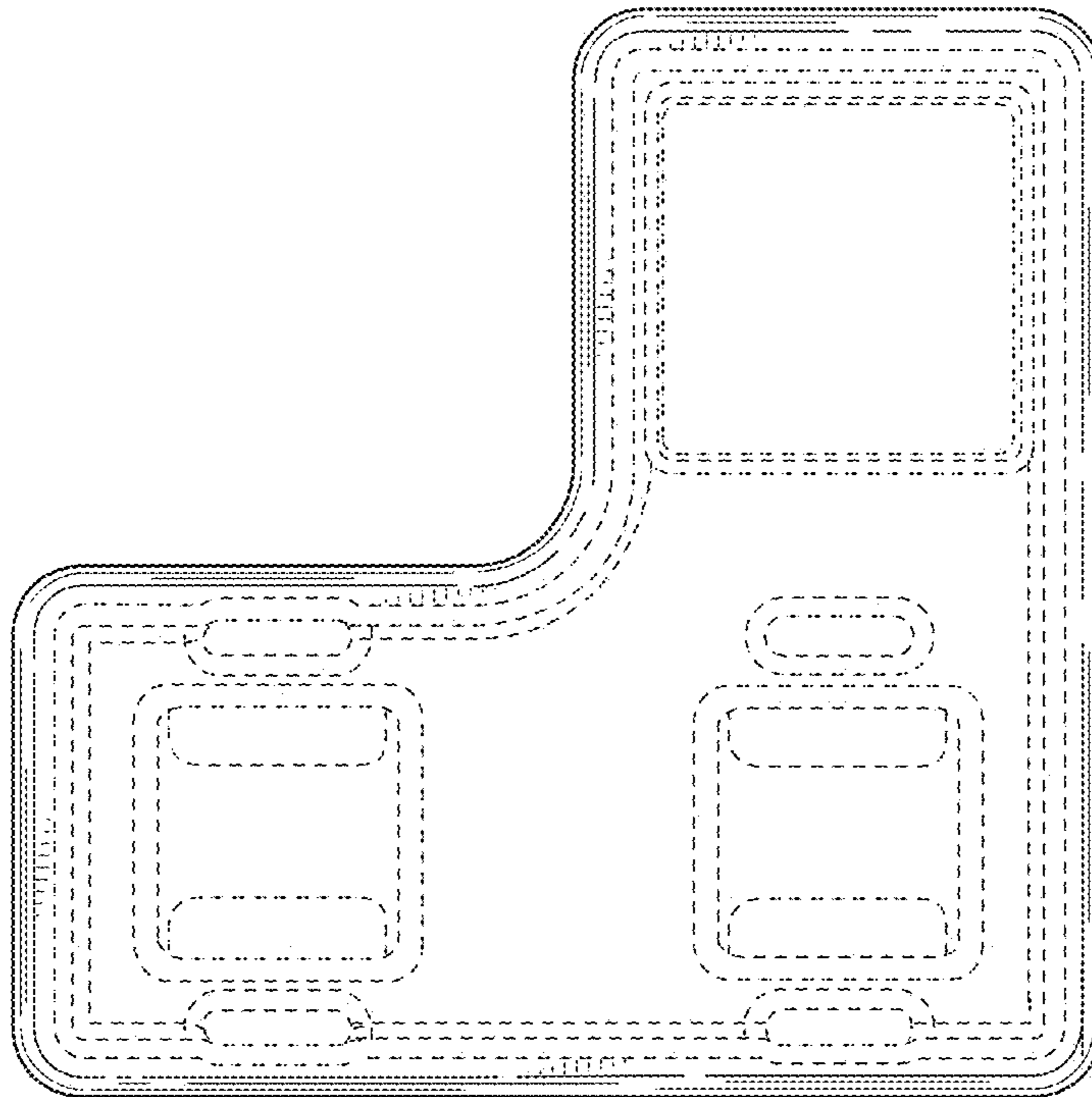


FIG. 63

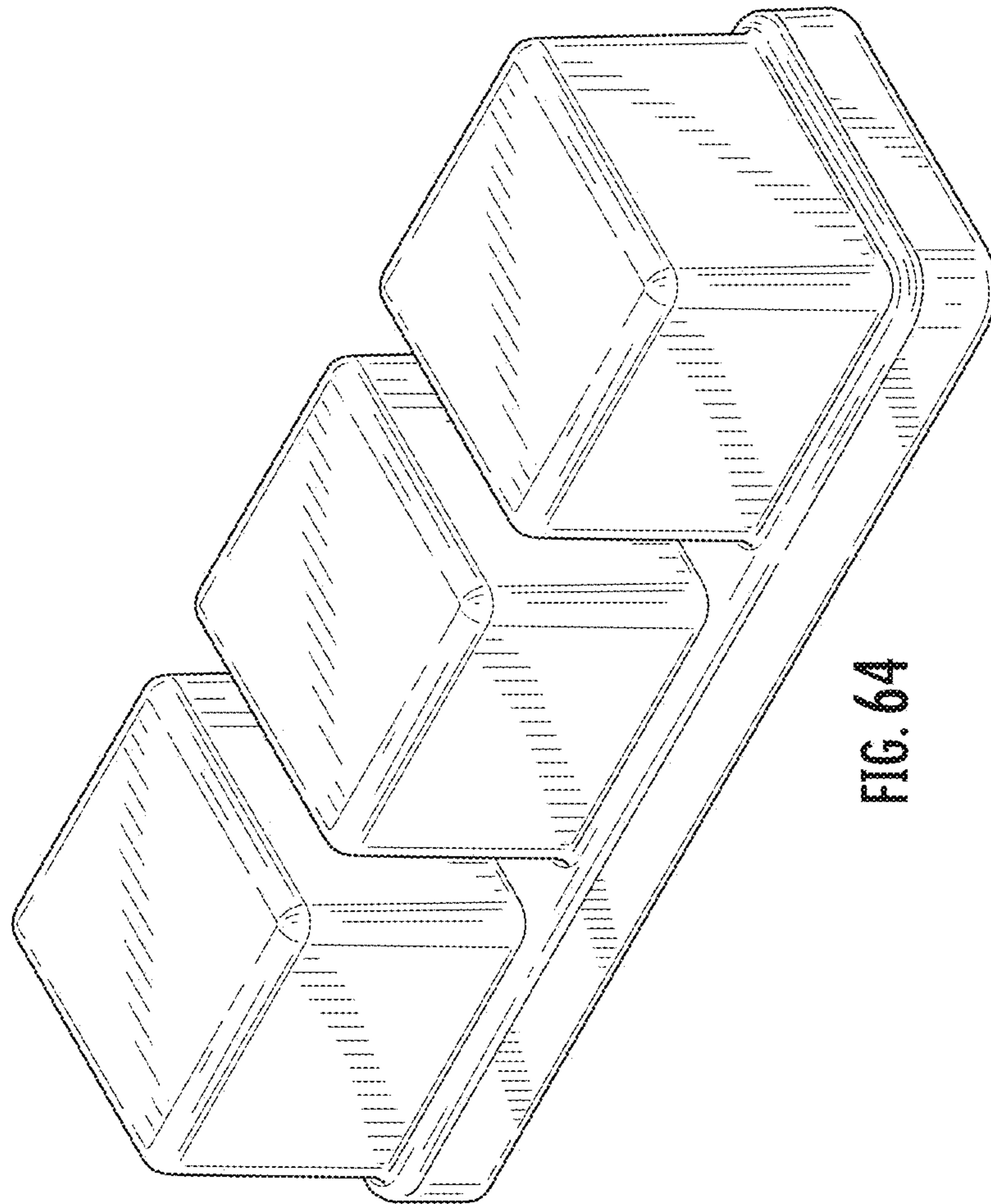


FIG. 64



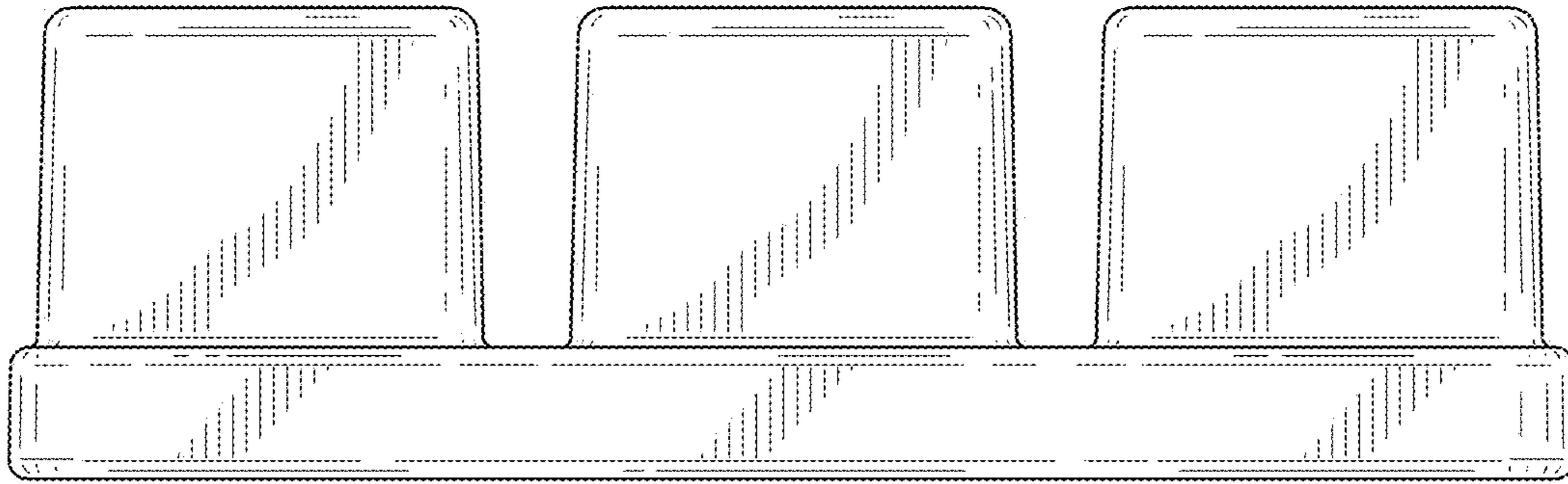


FIG. 65

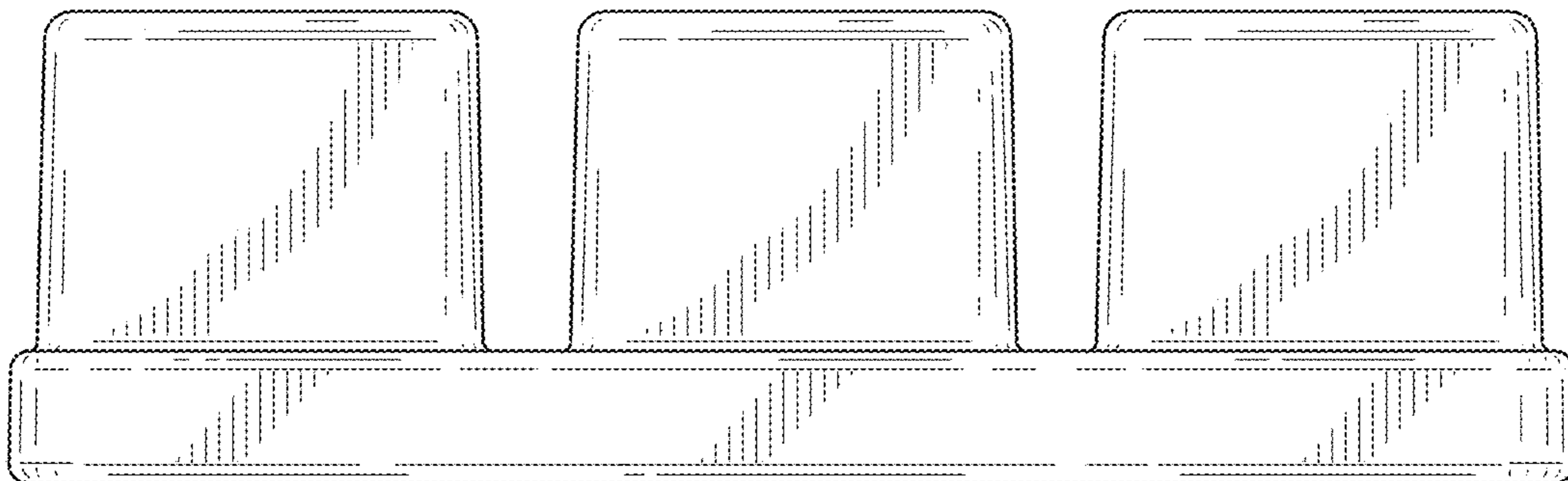


FIG. 66

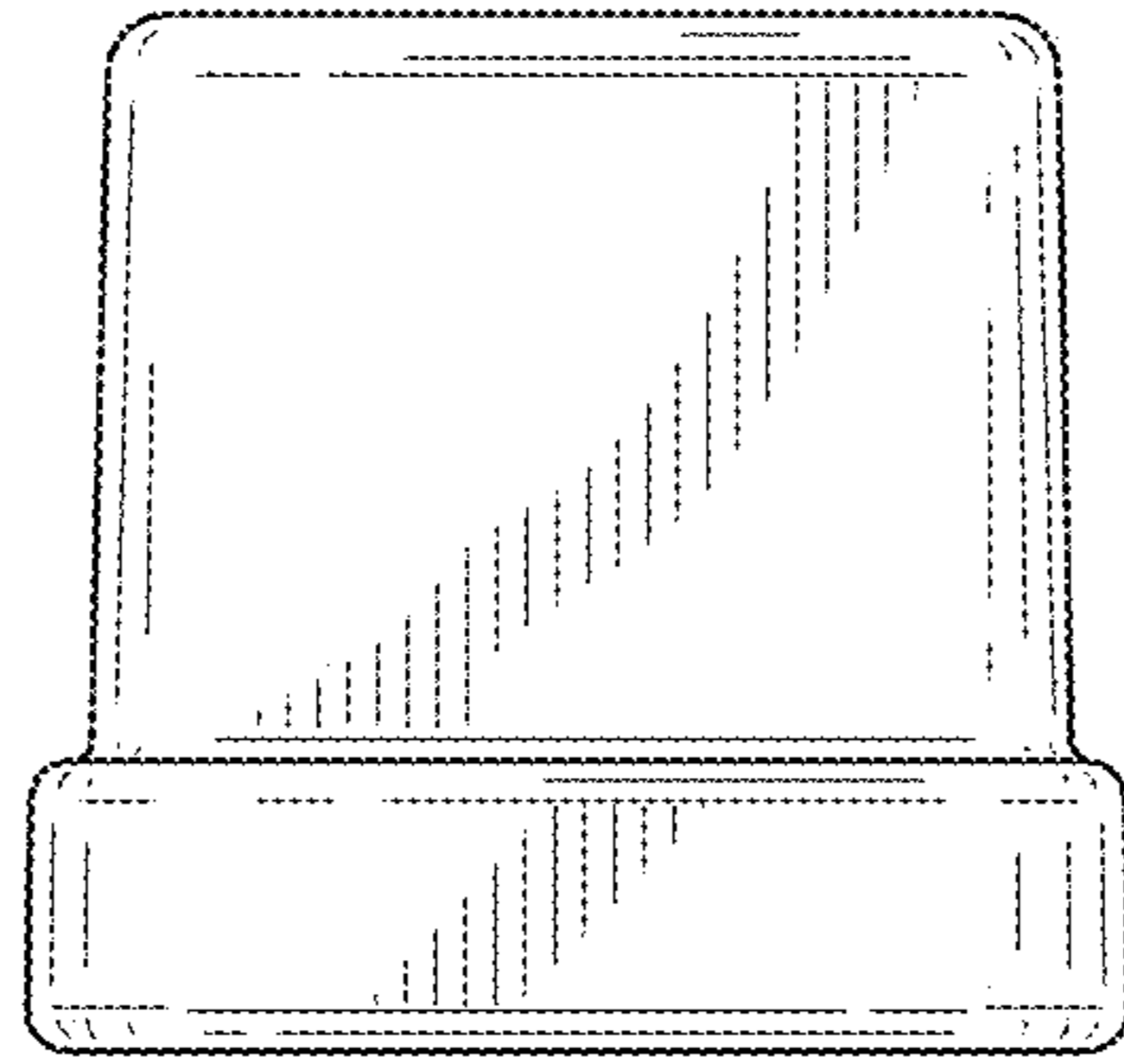


FIG. 67

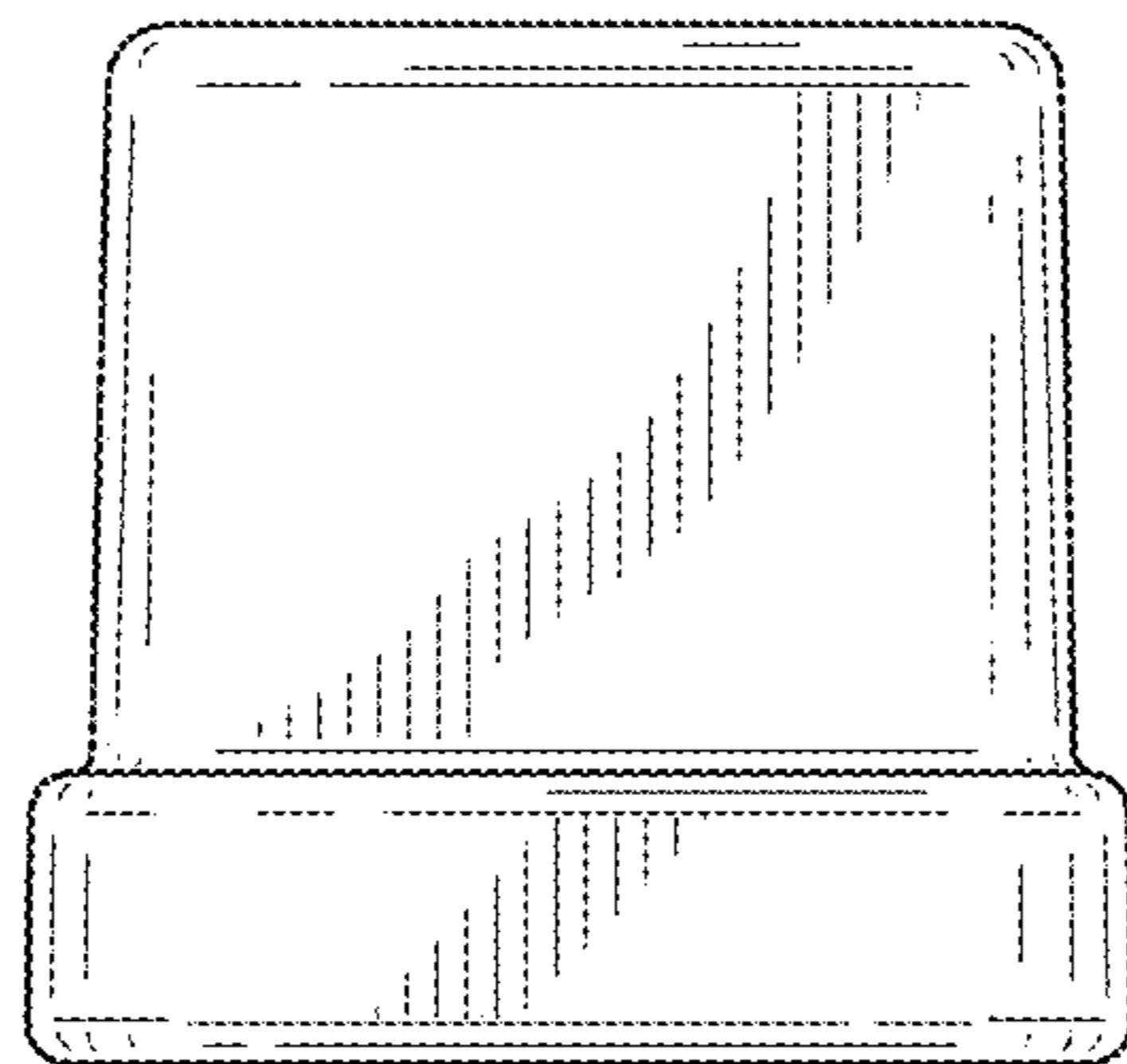


FIG. 68



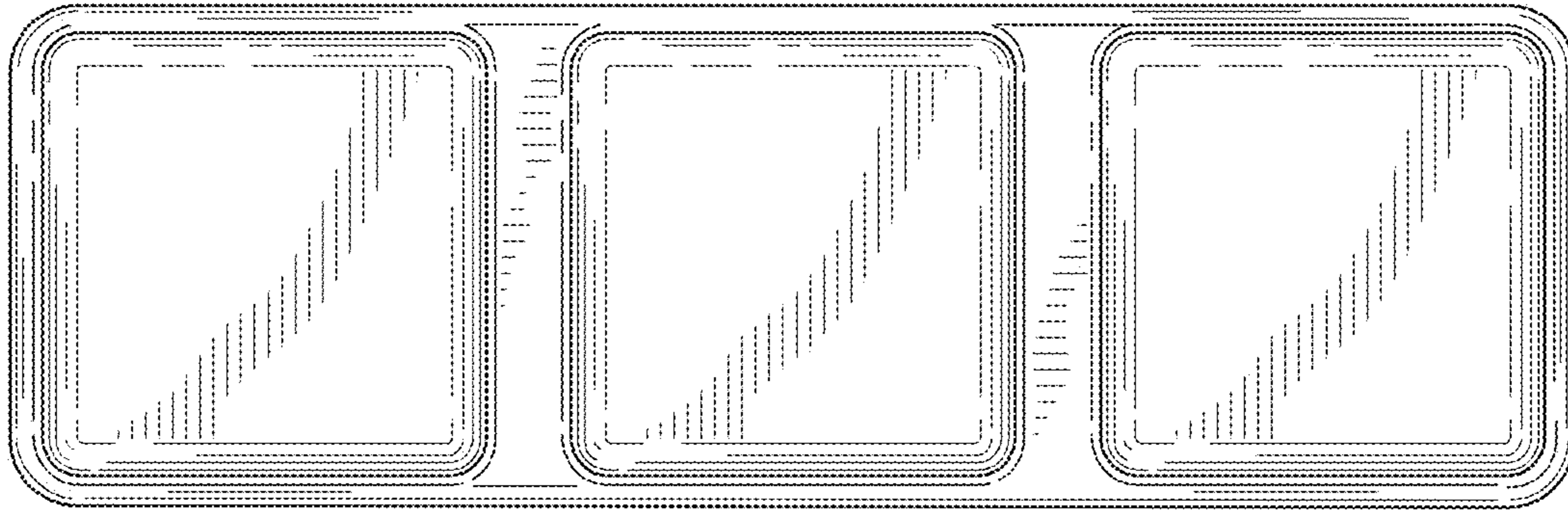


FIG. 69

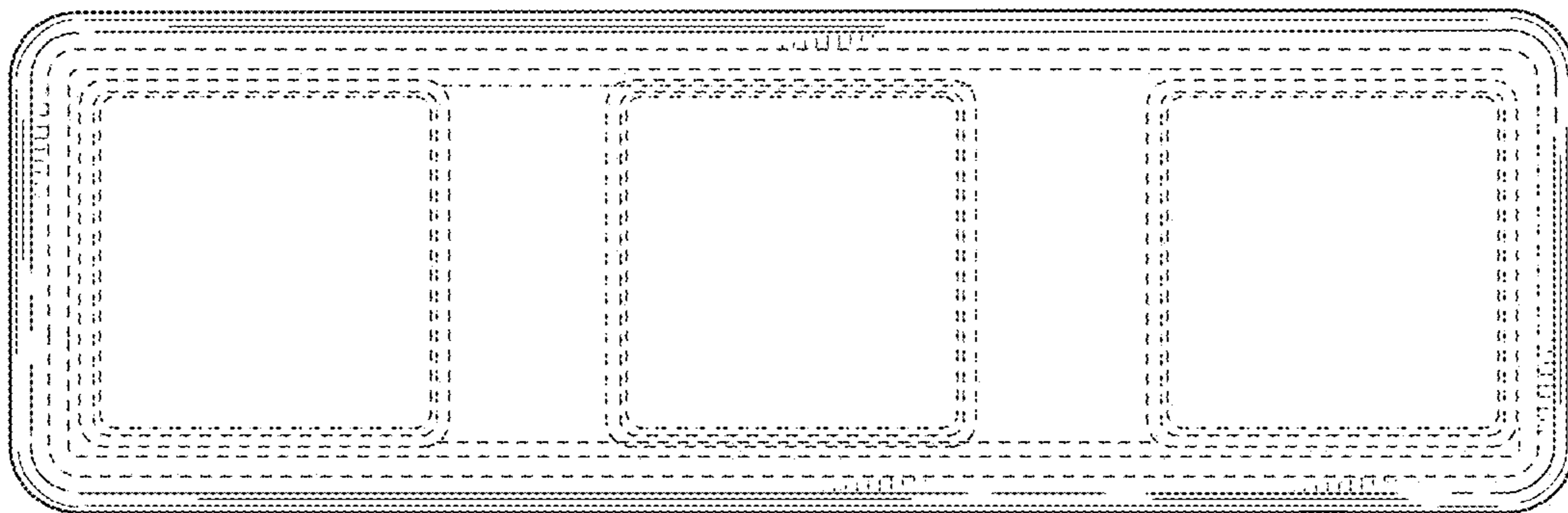


FIG. 70

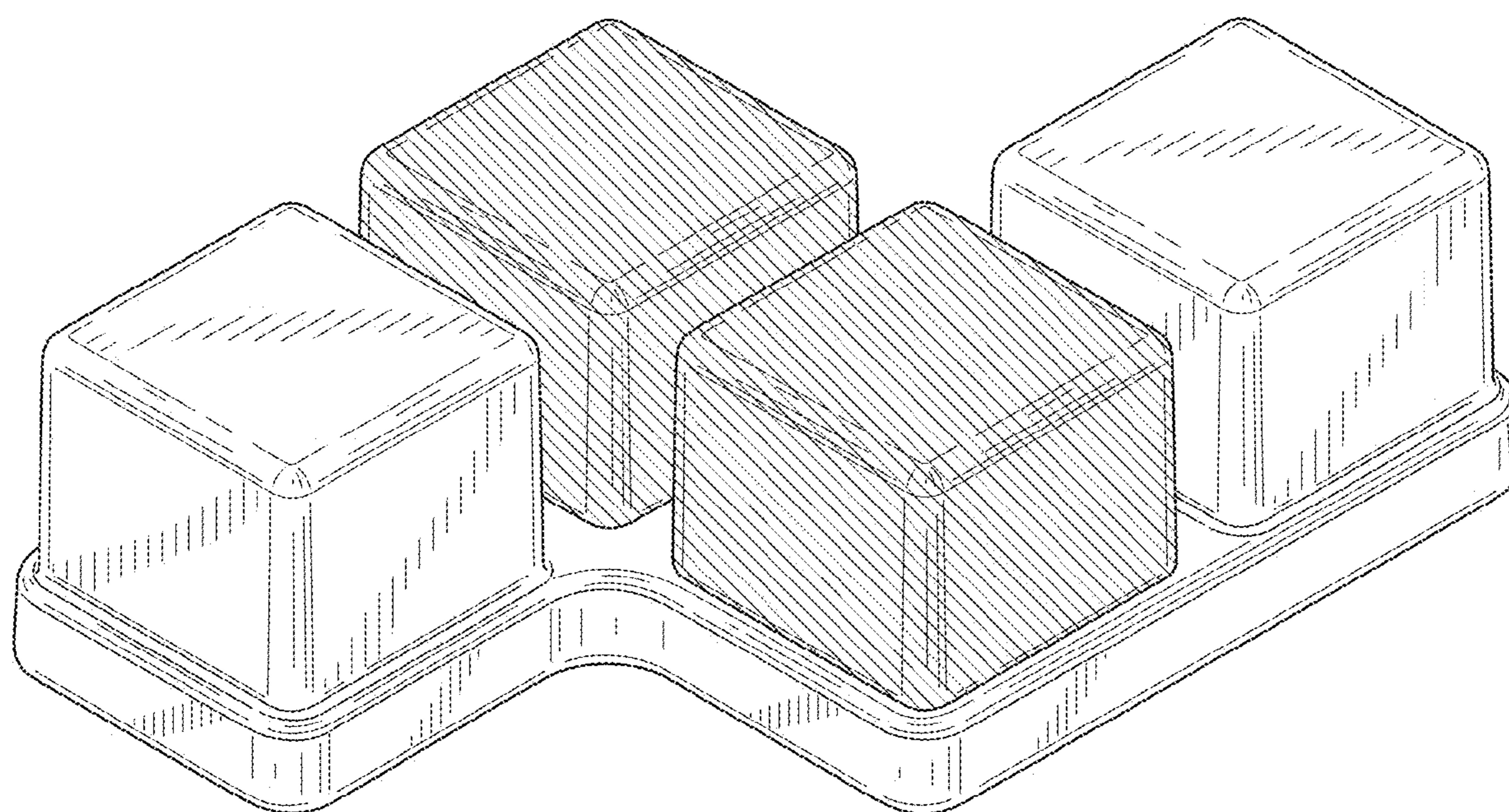


FIG. 71



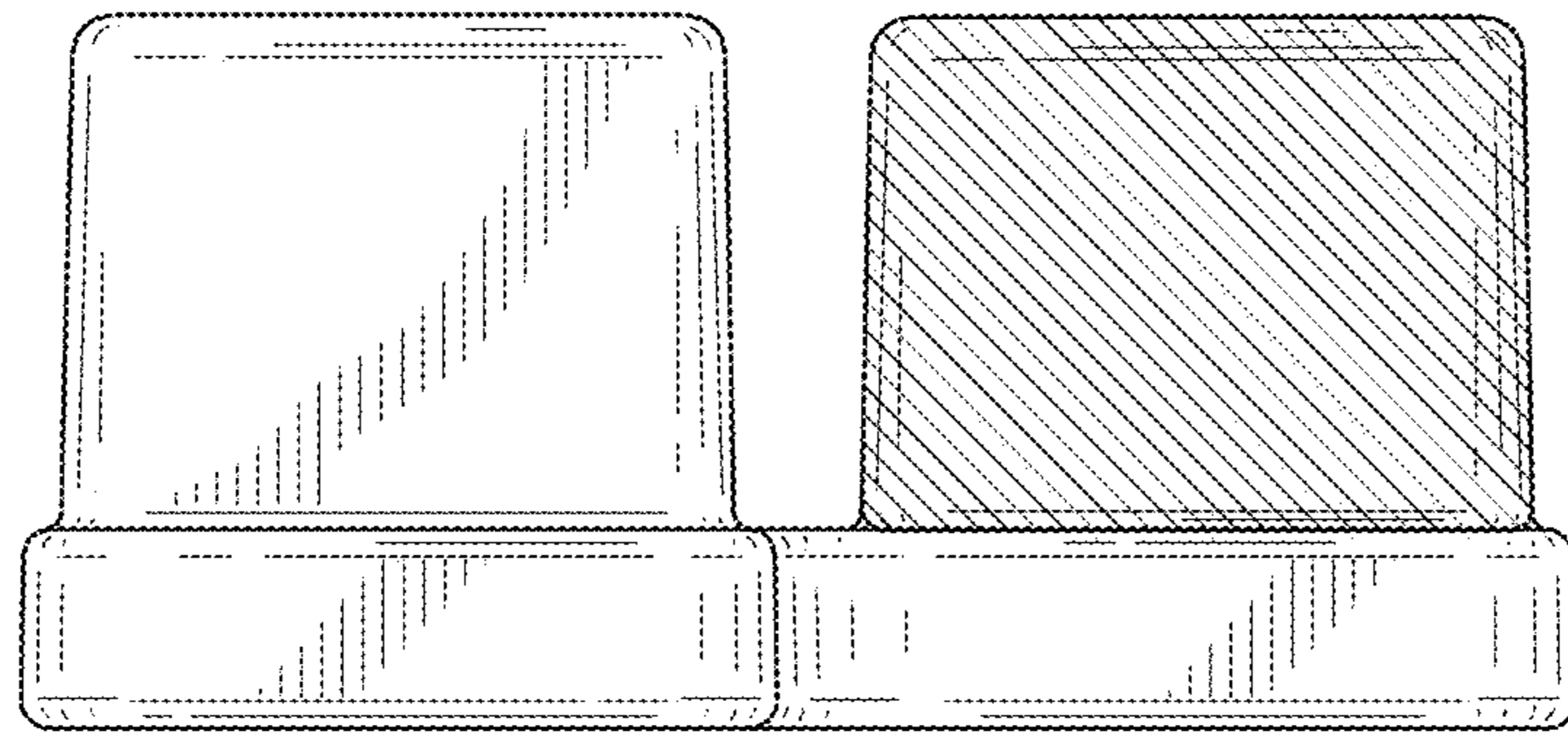


FIG. 72

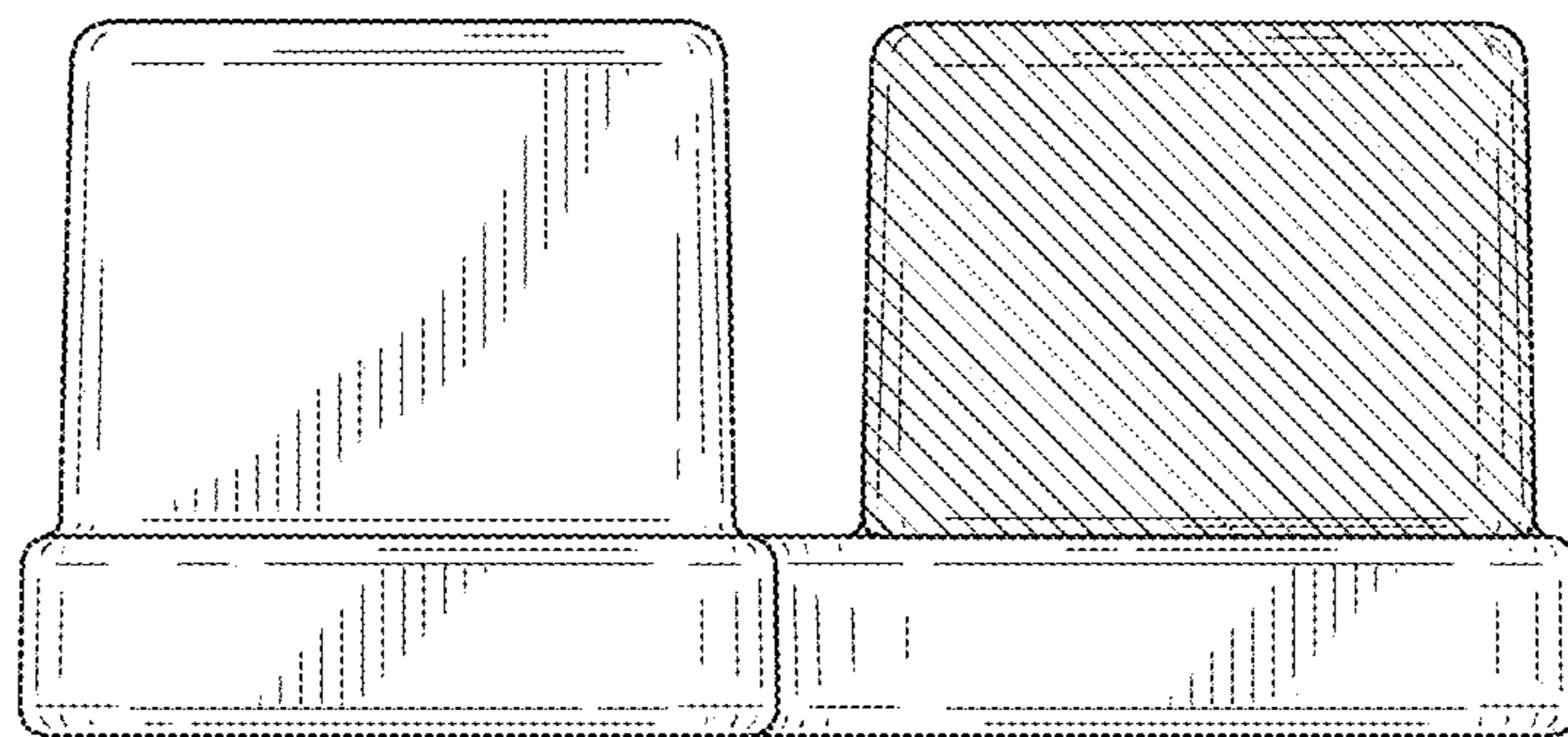


FIG. 73

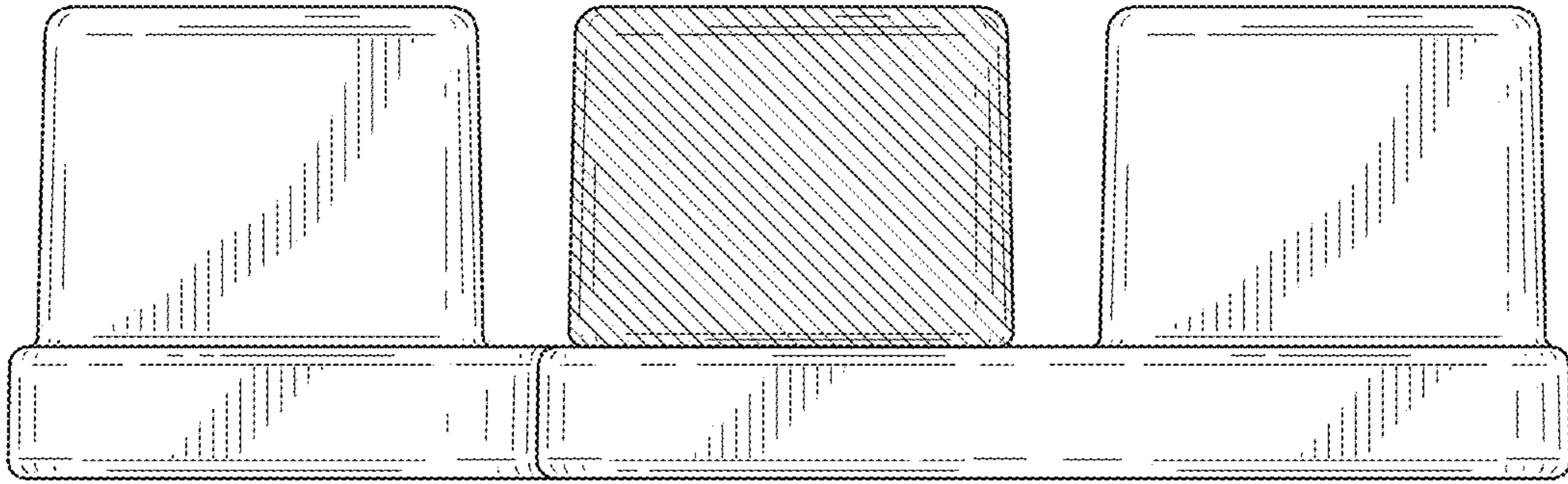


FIG. 74

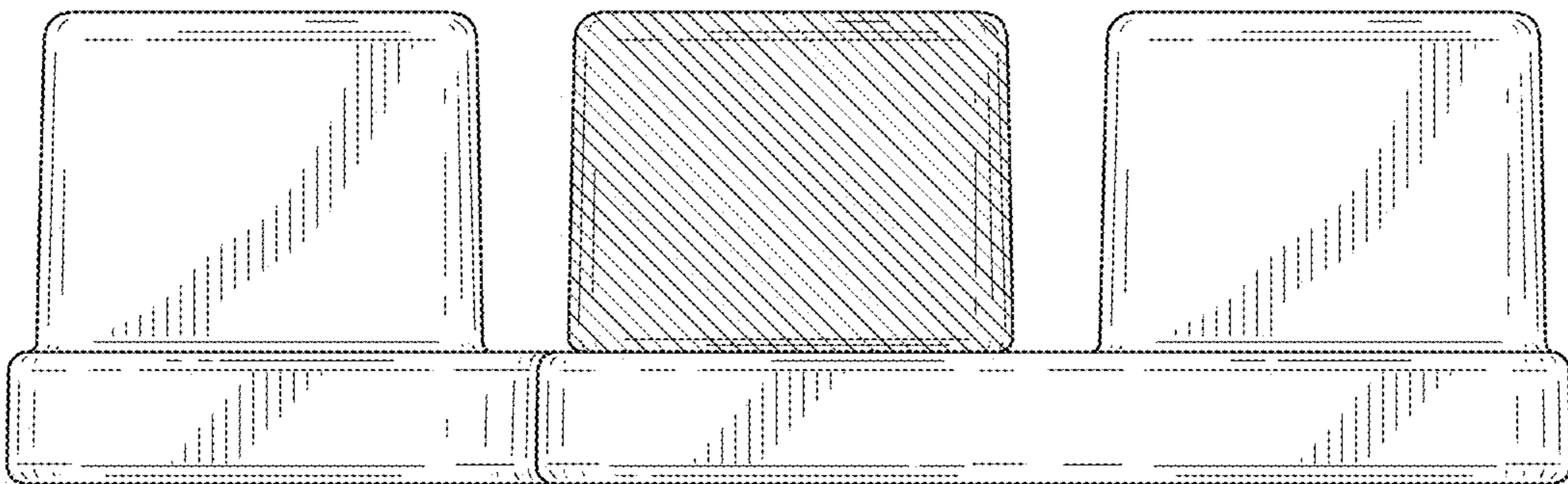


FIG. 75



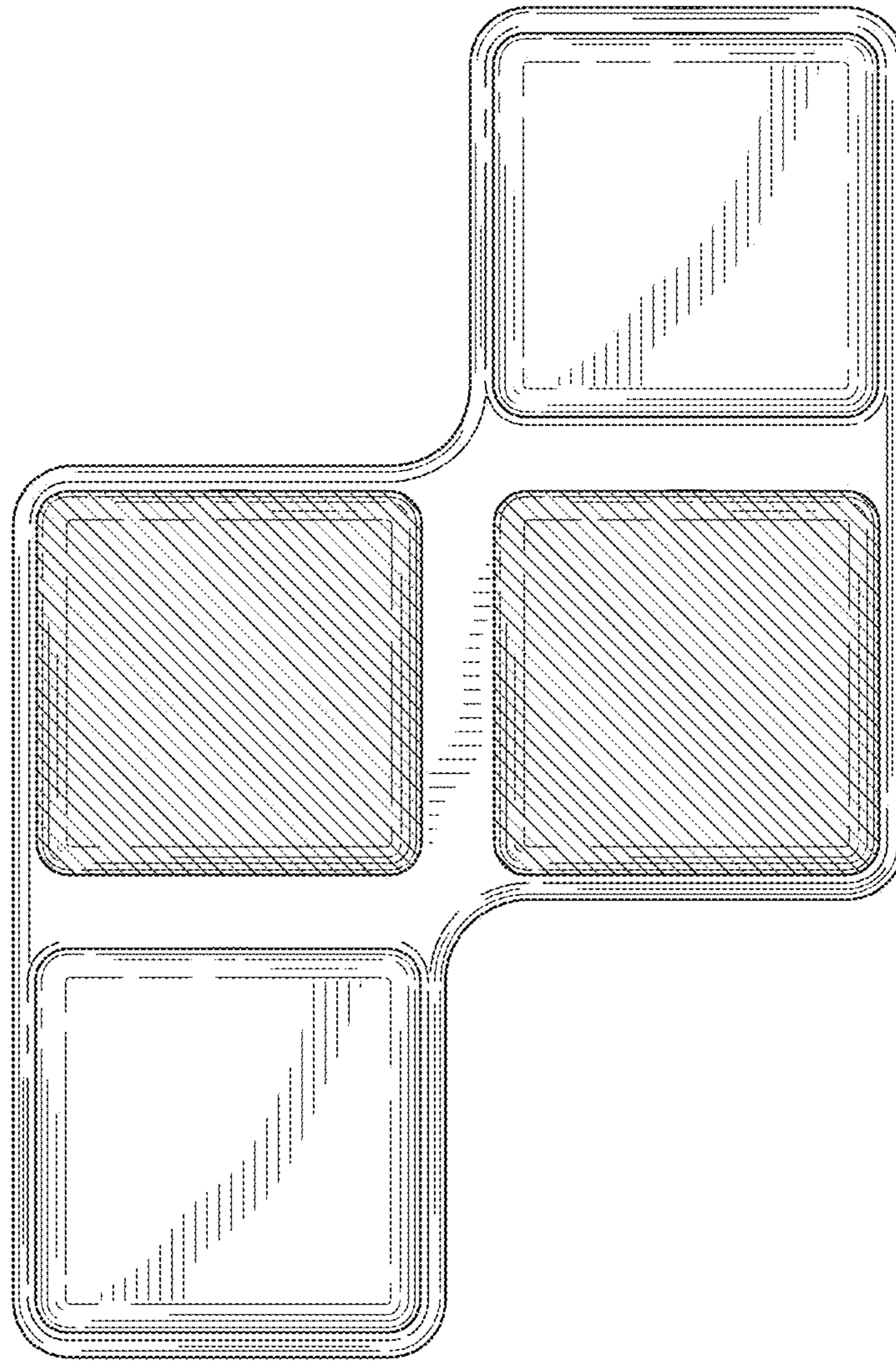


FIG. 76

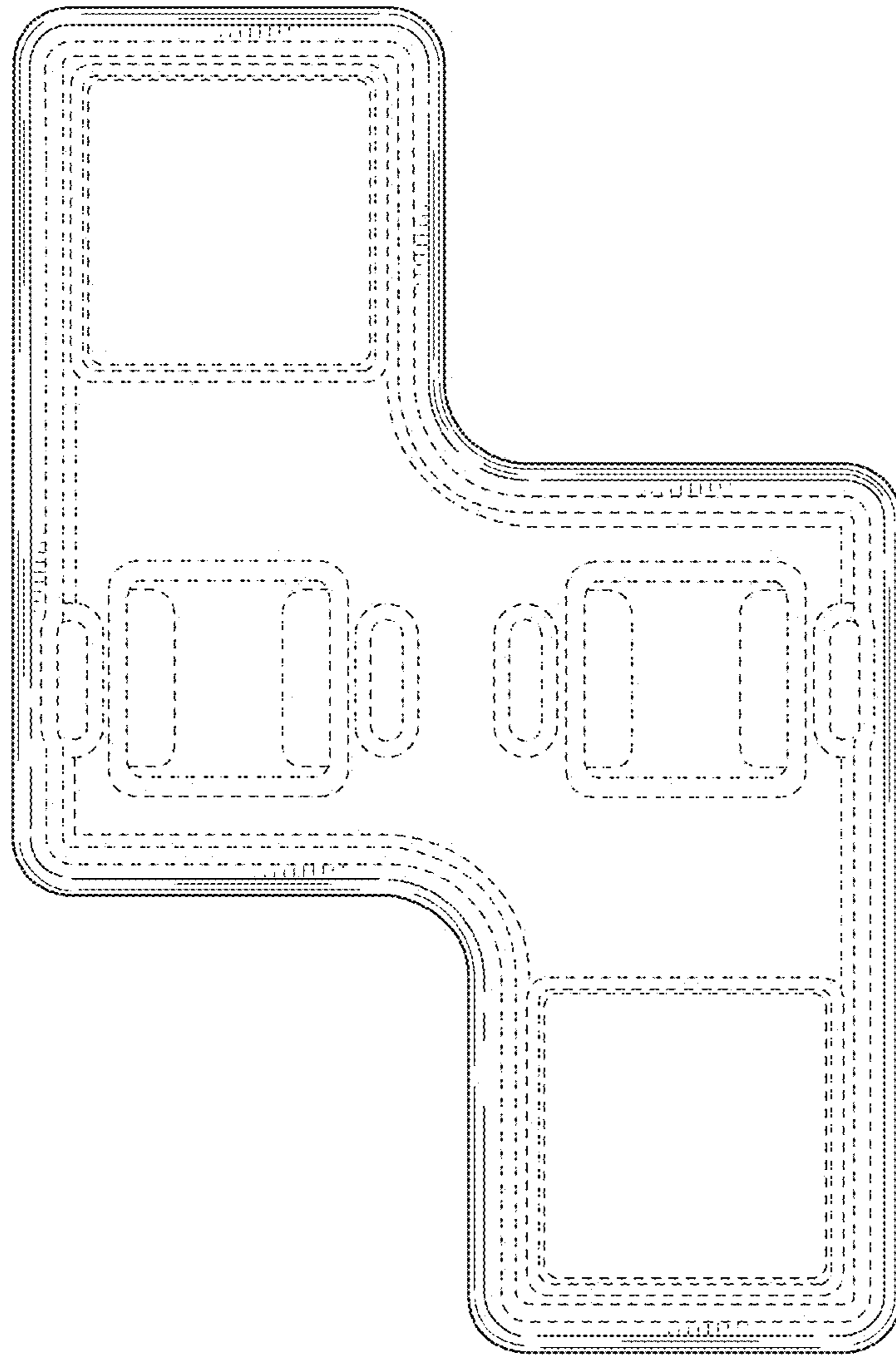


FIG. 77



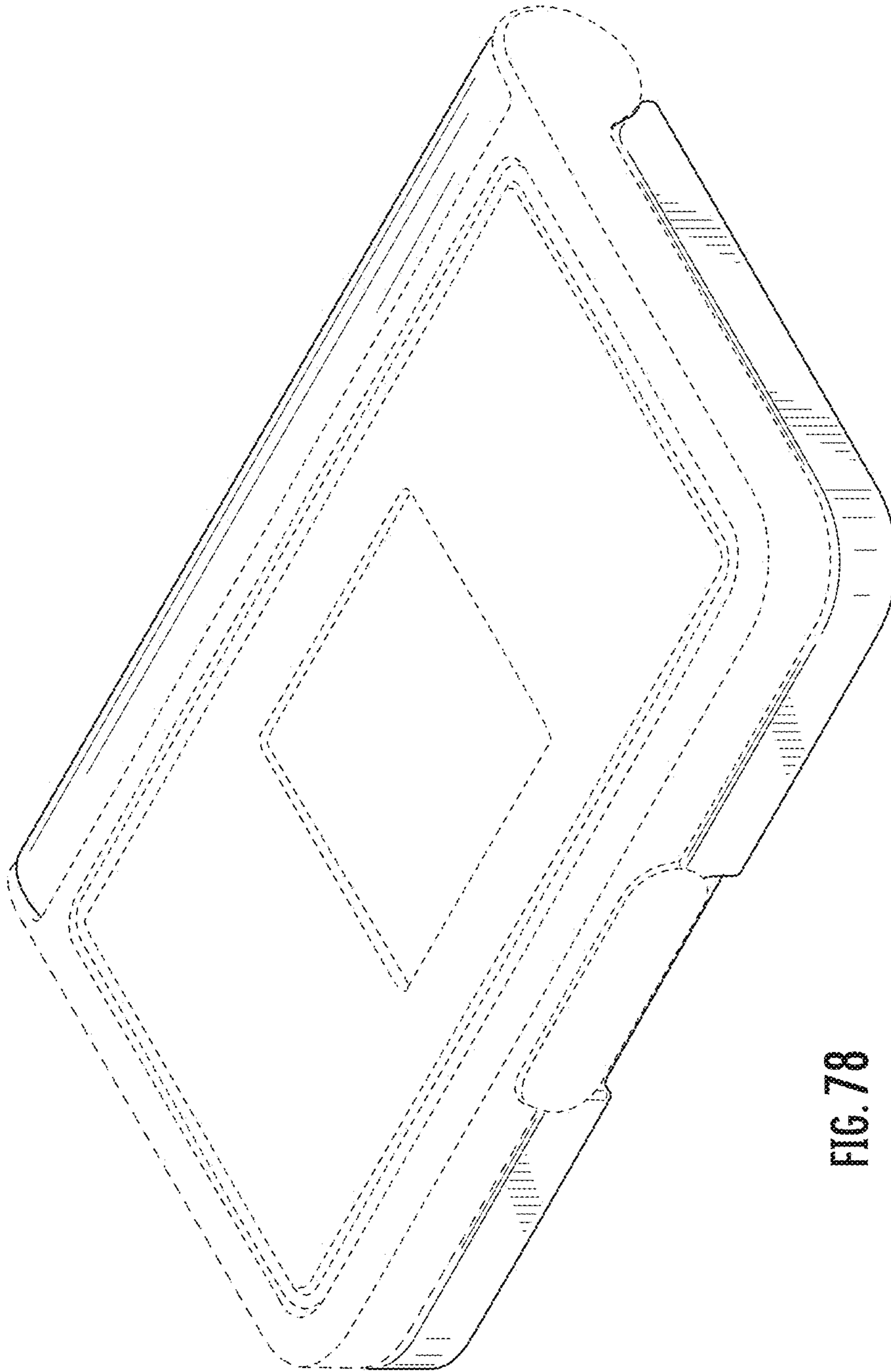


FIG. 78

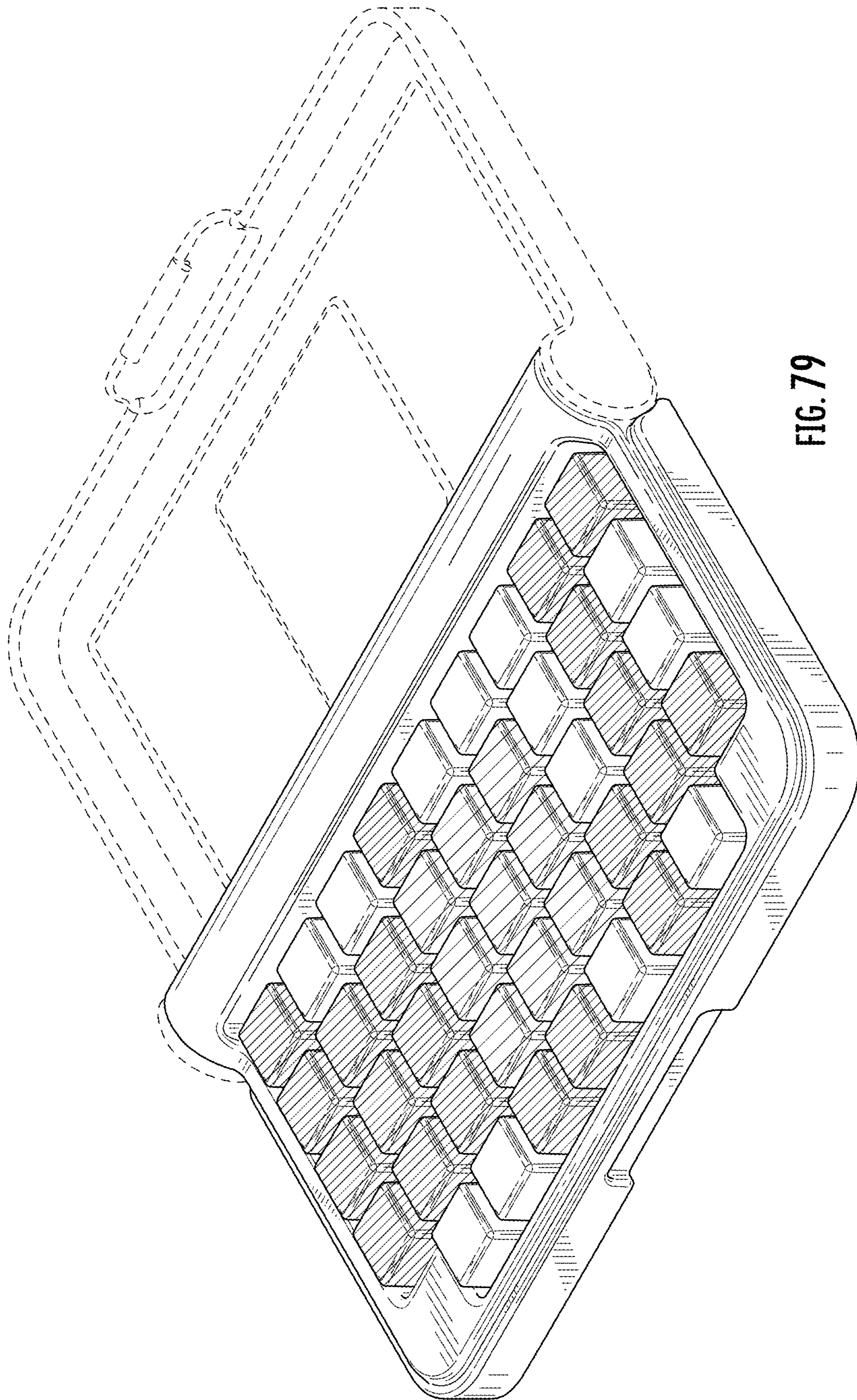


FIG. 79