



US00D912153S

(12) **United States Design Patent**  
**Ehara et al.**

(10) **Patent No.:** **US D912,153 S**  
(45) **Date of Patent:** **\*\* Mar. 2, 2021**

- (54) **CONTROLLER FOR COMPUTER**
- (71) Applicant: **NINTENDO CO., LTD.**, Kyoto (JP)
- (72) Inventors: **Yui Ehara**, Kyoto (JP); **Yuko Zenri**, Kyoto (JP); **Junichiro Miyatake**, Kyoto (JP); **Tetsuya Akama**, Kyoto (JP); **Hitoshi Tsuchiya**, Kyoto (JP)
- (73) Assignee: **Nintendo Co., Ltd.**, Kyoto (JP)
- (\*\*) Term: **15 Years**
- (21) Appl. No.: **29/646,010**
- (22) Filed: **May 1, 2018**

**Related U.S. Application Data**

- (62) Division of application No. 29/595,220, filed on Feb. 27, 2017, now Pat. No. Des. 819,642.

**Foreign Application Priority Data**

- (30)
 

Aug. 30, 2016	(JP)	2016-018391
Aug. 30, 2016	(JP)	2016-018392
Aug. 30, 2016	(JP)	2016-018393
Aug. 30, 2016	(JP)	2016-018394
Aug. 30, 2016	(JP)	2016-018395
Aug. 30, 2016	(JP)	2016-018396
Aug. 30, 2016	(JP)	2016-018397
Aug. 30, 2016	(JP)	2016-018398
Aug. 30, 2016	(JP)	2016-018399
Aug. 30, 2016	(JP)	2016-018400
Aug. 31, 2016	(JP)	2016-018644
Oct. 19, 2016	(JP)	2016-022699

- (51) **LOC (13) Cl.** ..... **21-01**
- (52) **U.S. Cl.**  
USPC ..... **D21/333; D14/401**

- (58) **Field of Classification Search**  
USPC ..... D14/203.1-203.8, 217, 218, 388-402, D14/412, 414, 416, 432, 496; D21/324, D21/328, 333, 385, 477, 566

CPC ..... A63F 3/00643; A63F 9/24; A63F 13/00; A63F 13/02; A63F 13/04; A63F 13/06; A63F 13/10; A63F 13/12; A63F 2300/65; A63F 2300/69; A63F 2300/105; A63F 2300/204; A63F 2300/407; A63F 2300/1075; A63F 2300/6045; A63F  
(Continued)

(56) **References Cited**

U.S. PATENT DOCUMENTS

D338,242 S \* 8/1993 Cordell ..... D14/401  
D360,235 S 7/1995 Emrys-Roberts  
(Continued)

OTHER PUBLICATIONS

U.S. Appl. No. 29/595,220, filed Feb. 27, 2017, Ehara et al.  
(Continued)

*Primary Examiner* — Keli L Hill

(74) *Attorney, Agent, or Firm* — Nixon & Vanderhye PC

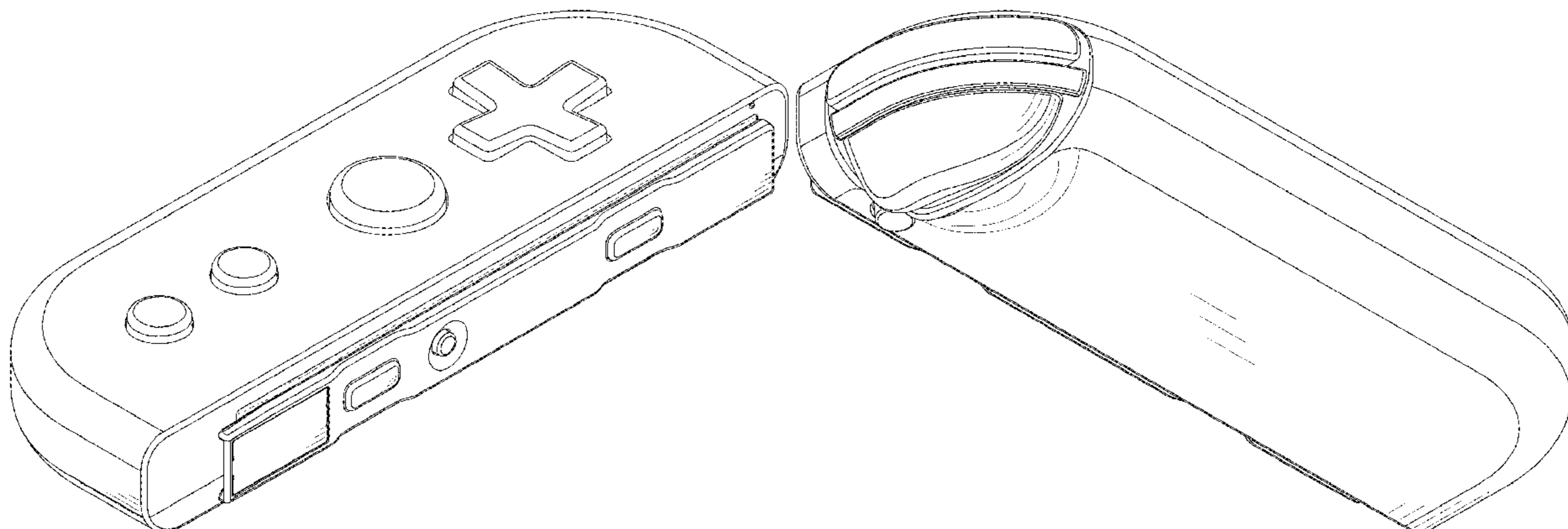
(57) **CLAIM**

The ornamental design for a controller for computer, as shown and described.

**DESCRIPTION**

FIG. 1 is a front side perspective view of a controller for computer showing our new design;  
FIG. 2 is a back side perspective view thereof;  
FIG. 3 is a front view thereof;  
FIG. 4 is a back view thereof;  
FIG. 5 is a top view thereof;  
FIG. 6 is a bottom view thereof;  
FIG. 7 is a right view thereof; and,  
FIG. 8 is a left view thereof.  
The broken lines shown in FIGS. 1 and 3-6 show portions of the controller for computer that form no part of the claimed design.

**1 Claim, 8 Drawing Sheets**



(58) **Field of Classification Search**

CPC .. 2300/6676; A63F 2300/8088; B62K 21/125;  
 B62K 23/02; B62K 23/06; B62M 25/04;  
 G05G 1/04; G05G 1/06; G05G 9/047;  
 G05G 9/04788; G05G 9/04792; G05G  
 9/04796; G05G 13/00; G05G  
 2009/04774; G06F 3/016; G06F 3/017;  
 G06F 3/038; G06F 3/0338; G06F 3/0354;  
 G06F 19/321; G06F 2200/1612; G07F  
 17/32; G07F 17/3216; H01H 23/041;  
 H01H 2239/024; H04M 1/7253; H04M  
 1/72544; H04N 21/4781

See application file for complete search history.

(56) **References Cited**

U.S. PATENT DOCUMENTS

D376,180 S \* 12/1996 Takahata ..... A63F 13/428  
 D14/401  
 5,643,087 A 7/1997 Marcus  
 5,645,277 A 7/1997 Cheng  
 5,769,719 A 6/1998 Hsu  
 5,785,317 A 7/1998 Sasaki  
 D568,883 S 5/2008 Ashida  
 D697,140 S 1/2014 Baum  
 D702,771 S 4/2014 Mar  
 D715,362 S \* 10/2014 He ..... D21/333  
 D719,614 S 12/2014 Baum  
 D740,369 S 10/2015 Cho  
 D768,785 S 10/2016 Kim

D769,374 S 10/2016 Won  
 D783,722 S 4/2017 Peng  
 D819,642 S \* 6/2018 Ehara ..... D14/401  
 D846,527 S 4/2019 Lamb  
 D846,530 S 4/2019 Pellattiero  
 D847,815 S 5/2019 Pang  
 D848,424 S 5/2019 Kujawski  
 D849,145 S 5/2019 Kuoch  
 D850,413 S 6/2019 Tu  
 D851,631 S 6/2019 Einaudi  
 D853,384 S 7/2019 Fulghum  
 D854,619 S 7/2019 Konishi  
 D875,178 S \* 2/2020 Ehara ..... D21/333  
 D875,835 S \* 2/2020 Yamamoto ..... D21/333  
 D875,836 S \* 2/2020 Ehara ..... D21/333  
 D876,550 S \* 2/2020 Ehara ..... D21/333  
 D878,474 S \* 3/2020 Ehara ..... D21/333  
 D884,796 S \* 5/2020 Zhou ..... D21/333  
 10,653,944 B2 \* 5/2020 Tanaka ..... A63F 13/428

OTHER PUBLICATIONS

U.S. Appl. No. 29/636,375, filed Feb. 8, 2018, Ehara et al.  
 U.S. Appl. No. 29/641,433, filed Mar. 22, 2018, Ehara et al.  
 U.S. Appl. No. 29/646,013, filed May 1, 2018, Ehara et al.  
 U.S. Appl. No. 29/646,019, filed May 1, 2018, Ehara et al.  
 U.S. Appl. No. 29/646,022, filed May 1, 2018, Ehara et al.  
 U.S. Appl. No. 29/646,026, filed May 1, 2018, Ehara et al.  
 U.S. Appl. No. 29/646,035, filed May 1, 2018, Ehara et al.  
 U.S. Appl. No. 29/646,038, filed May 1, 2018, Ehara et al.

\* cited by examiner

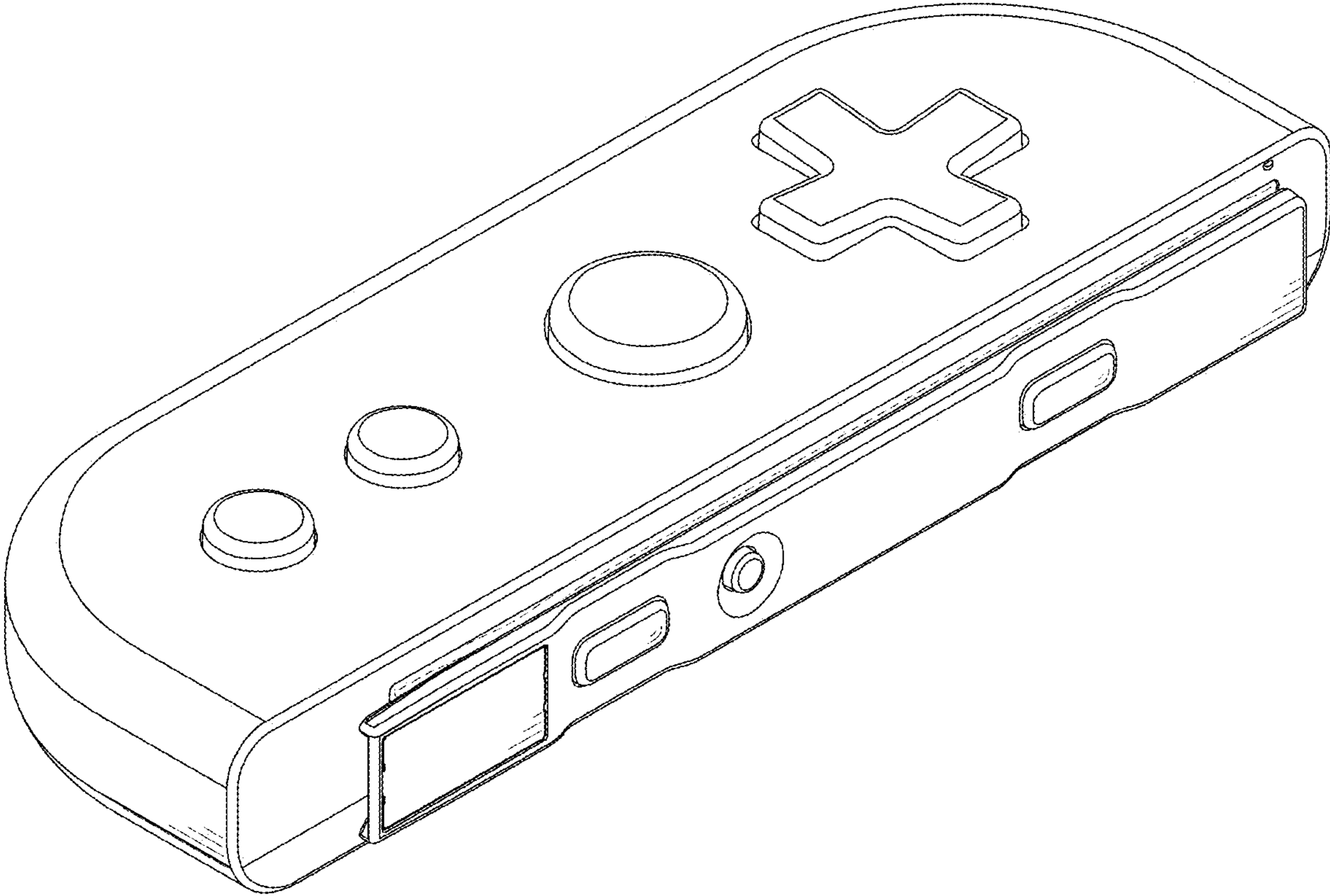


Fig. 1

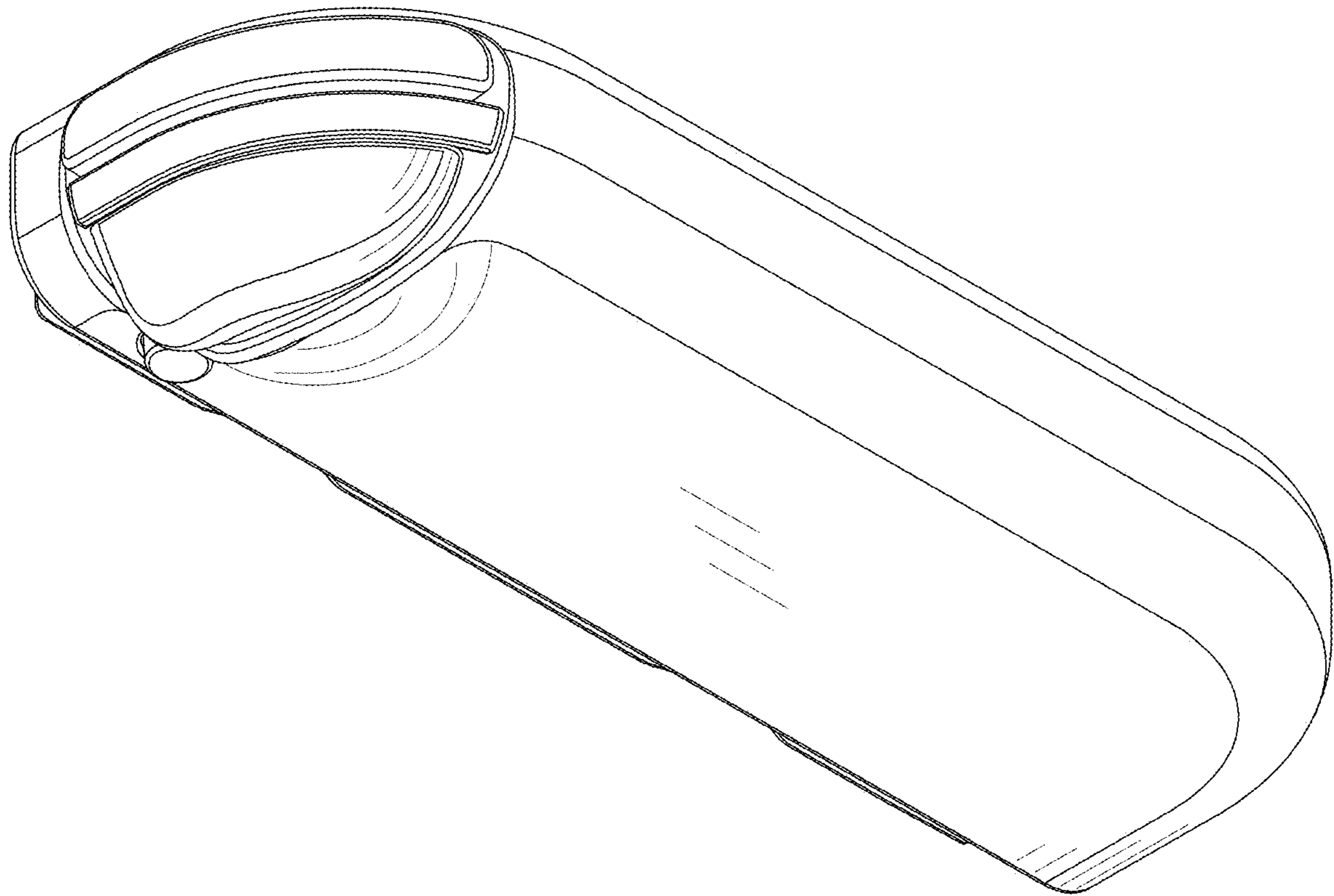


Fig. 2

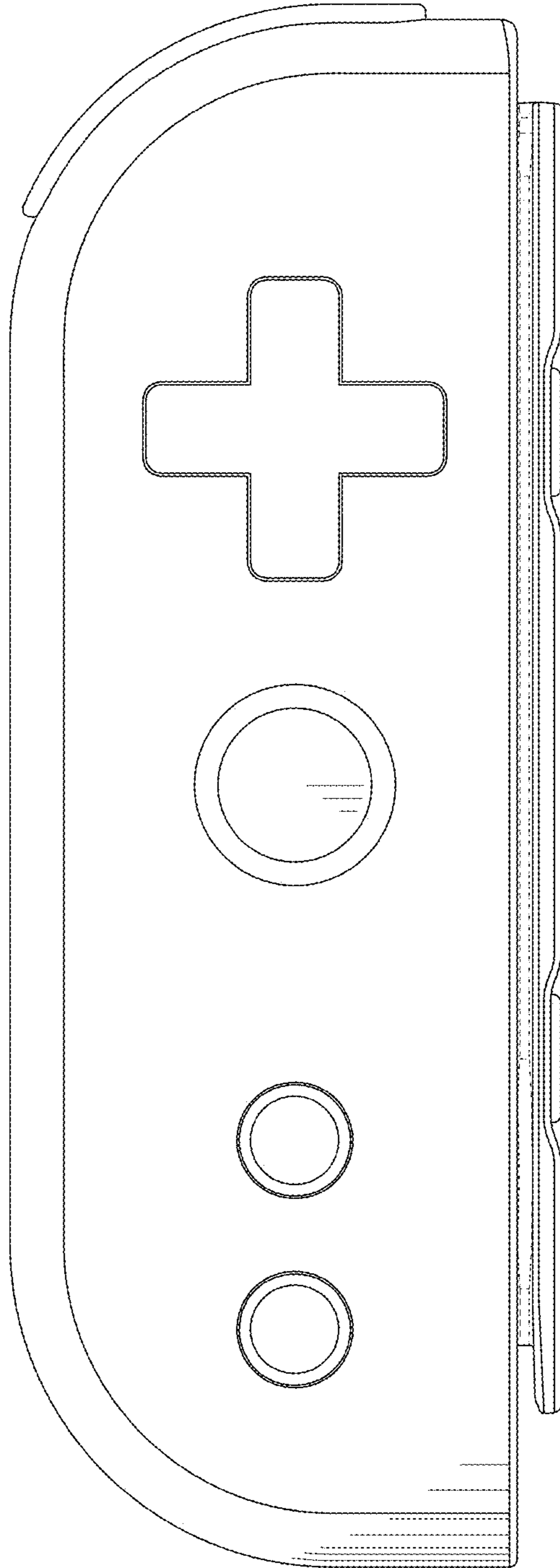


Fig. 3

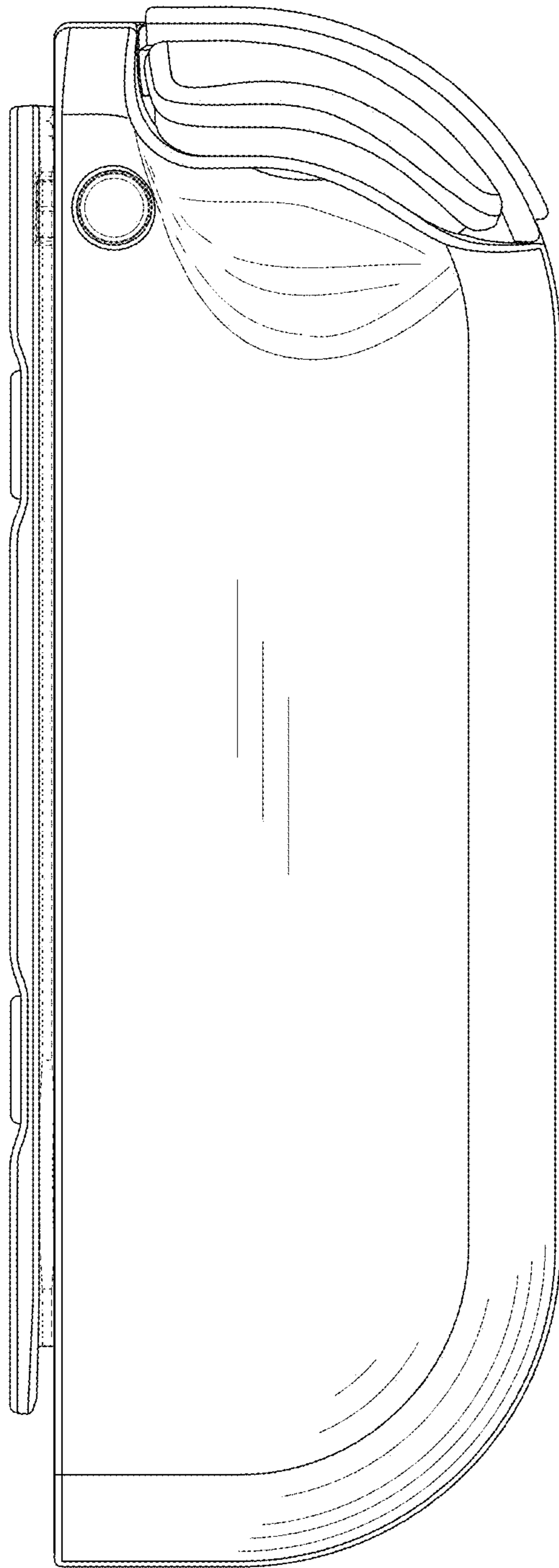


Fig. 4

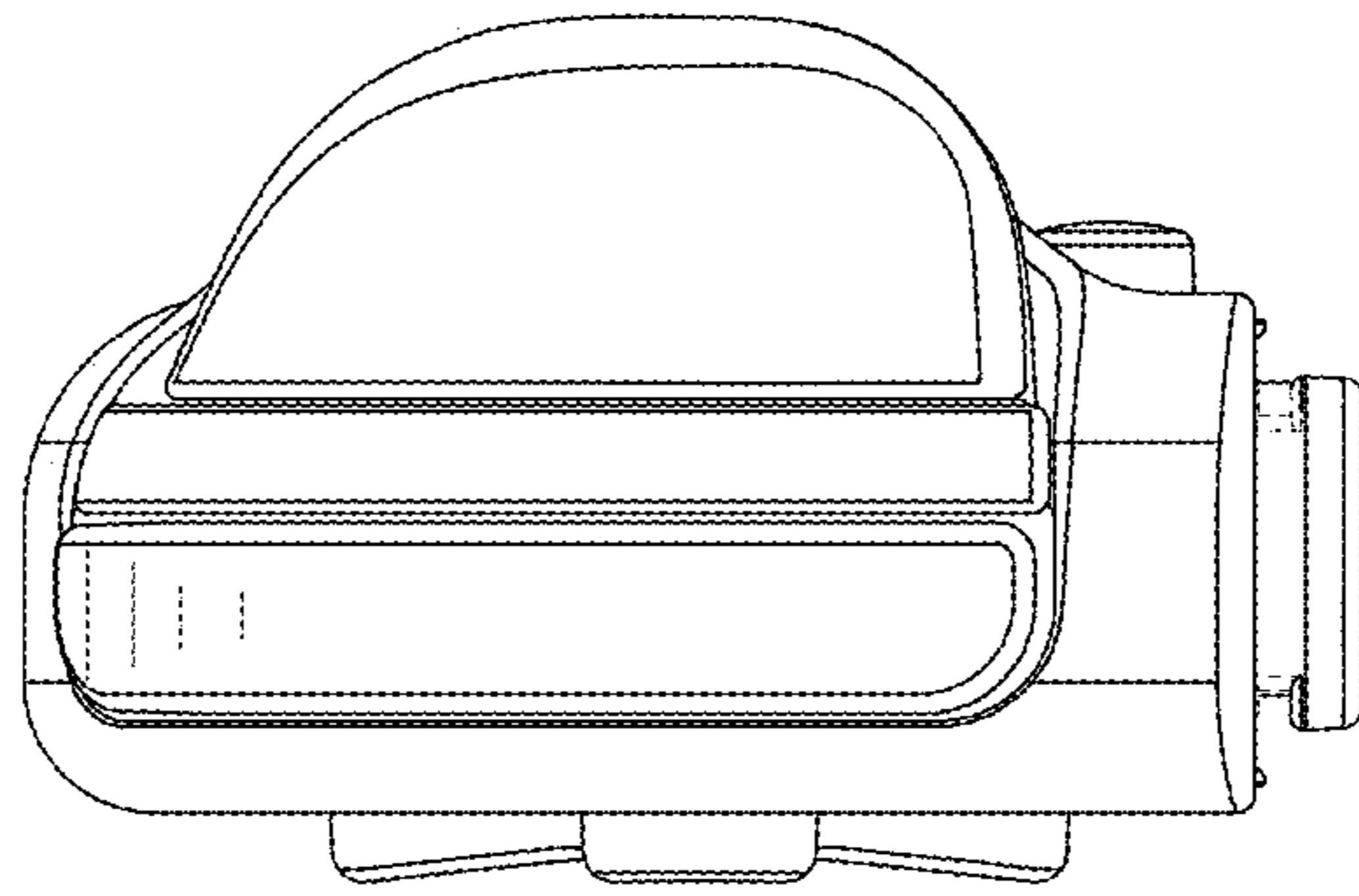


Fig. 5

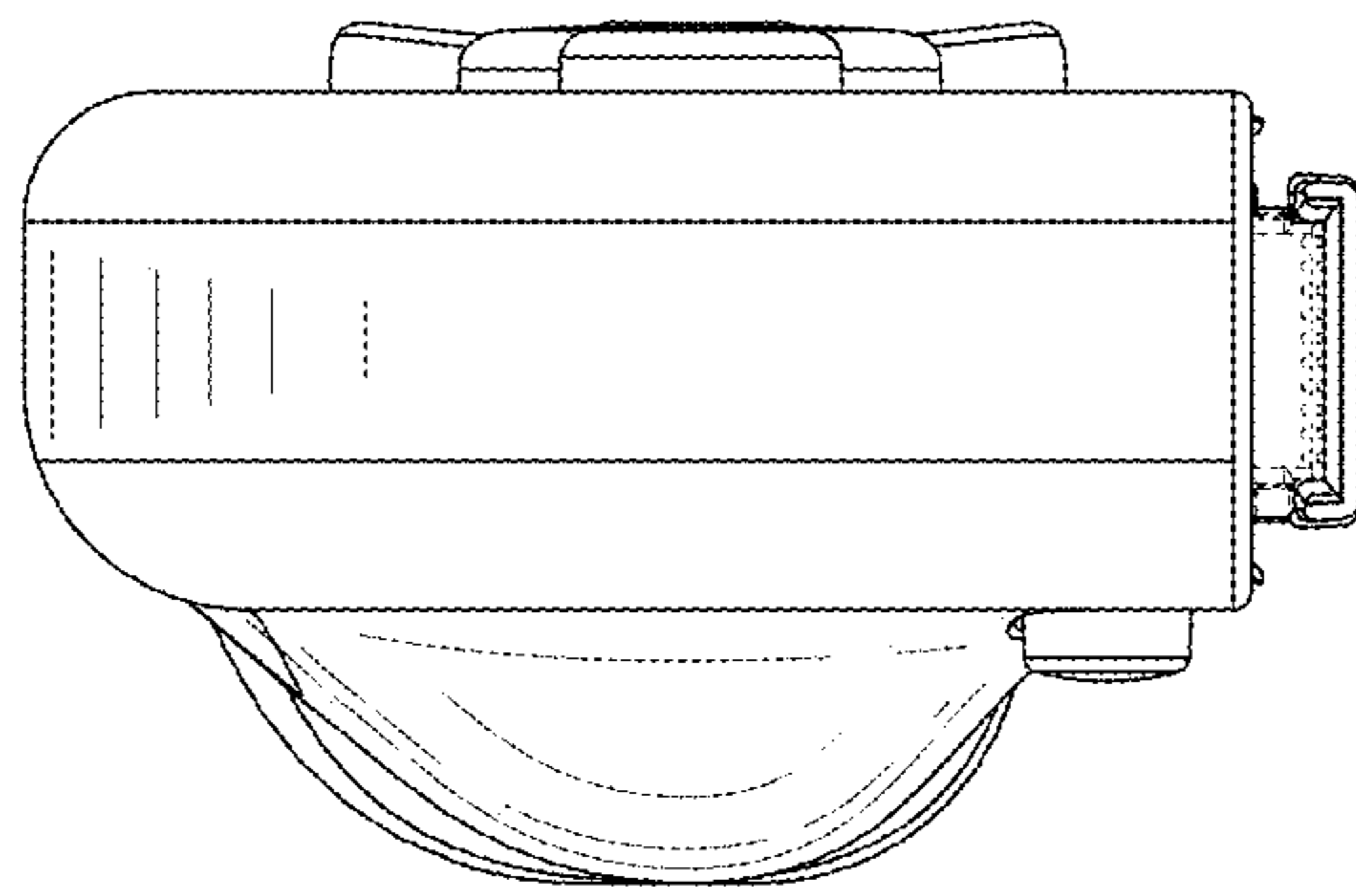


Fig. 6



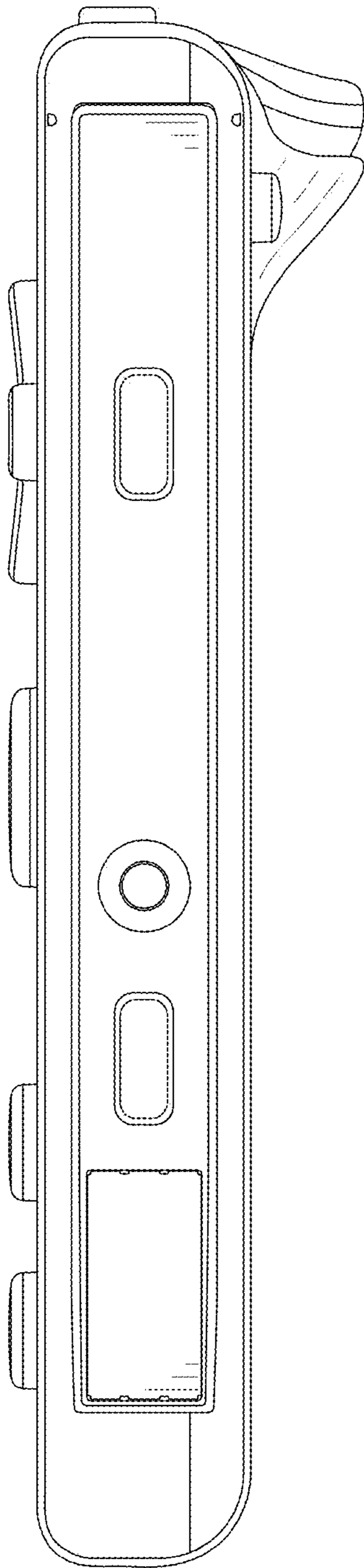


Fig. 7

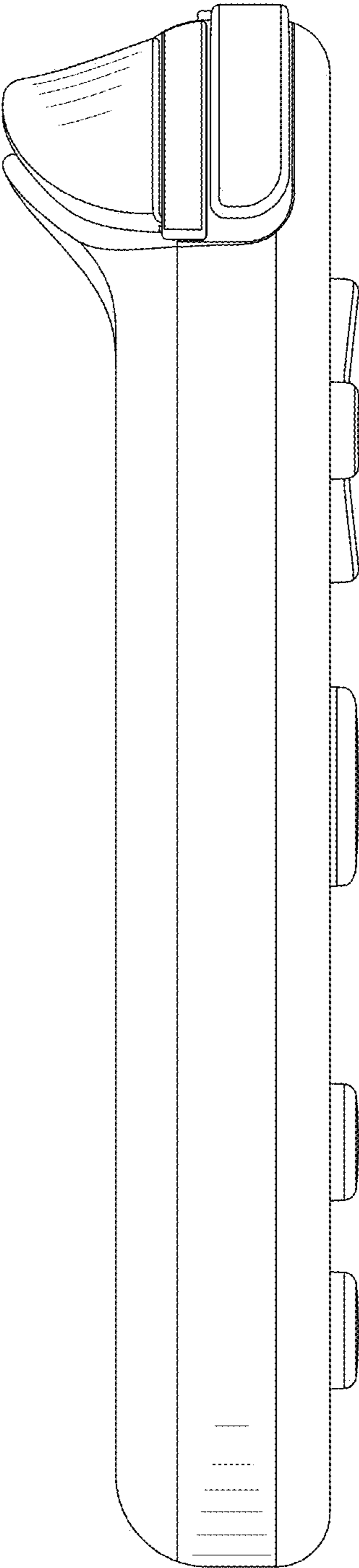


Fig. 8