



US00D912150S

(12) **United States Design Patent** (10) **Patent No.:** **US D912,150 S**
Griffin et al. (45) **Date of Patent:** **** *Mar. 2, 2021**

(54) **SIGN**

(71) Applicant: **Billy Griffin**, Dublin (IE)

(72) Inventors: **Billy Griffin**, Dublin (IE); **Art Mooney**, Dublin (IE)

(73) Assignee: **Billy Griffin**

(*) Notice: This patent is subject to a terminal disclaimer.

(**) Term: **15 Years**

(21) Appl. No.: **35/505,630**

(22) Filed: **May 17, 2018**

(80) **Hague Agreement Data**

Int. Filing Date: **May 17, 2018**

Int. Reg. No.: **DM/102598**

Int. Reg. Date: **May 17, 2018**

Int. Reg. Pub. Date: **Sep. 14, 2018**

(51) **LOC (13) Cl.** **20-03**

(52) **U.S. Cl.**
USPC **D20/17**

(58) **Field of Classification Search**
USPC D20/1, 10, 13, 17; D26/31
CPC .. G09F 2007/1878; G09F 13/00; G09F 13/02;
G09F 13/04; G09F 2013/0472

See application file for complete search history.

(56) **References Cited**

U.S. PATENT DOCUMENTS

D202,761 S *	11/1965	Avery	D20/13
4,587,600 A *	5/1986	Morten	F21S 8/06 362/219
D355,220 S *	2/1995	Russo	D20/17
D438,258 S *	2/2001	Itoh	D20/10
D443,308 S *	6/2001	Kovell	D20/10
D460,784 S *	7/2002	Emma	D20/10
D616,501 S *	5/2010	Maier-Hunke	D20/10
D623,232 S *	9/2010	Warren, Jr.	D20/10
D702,764 S *	4/2014	Clark	D20/17
D717,869 S *	11/2014	Reeder	D20/10
D829,950 S *	10/2018	Ko	D26/31

* cited by examiner

Primary Examiner — Darcey E Gottschalk

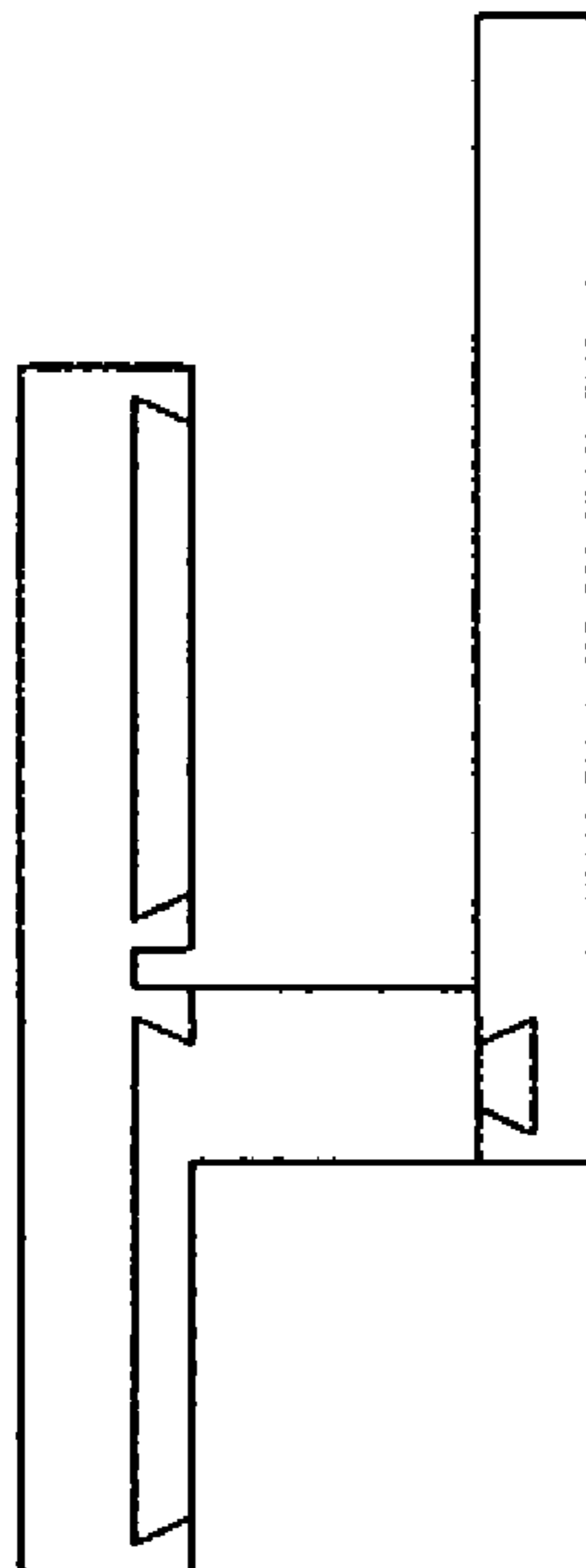
(57) **CLAIM**

The ornamental design for a sign as shown and described.

DESCRIPTION

1. Sign
Fig. 1.1 Side view;
Fig. 1.2 Rear view; and
Fig. 1.3 Front view.

1 Claim, 1 Drawing Sheet



Left side view

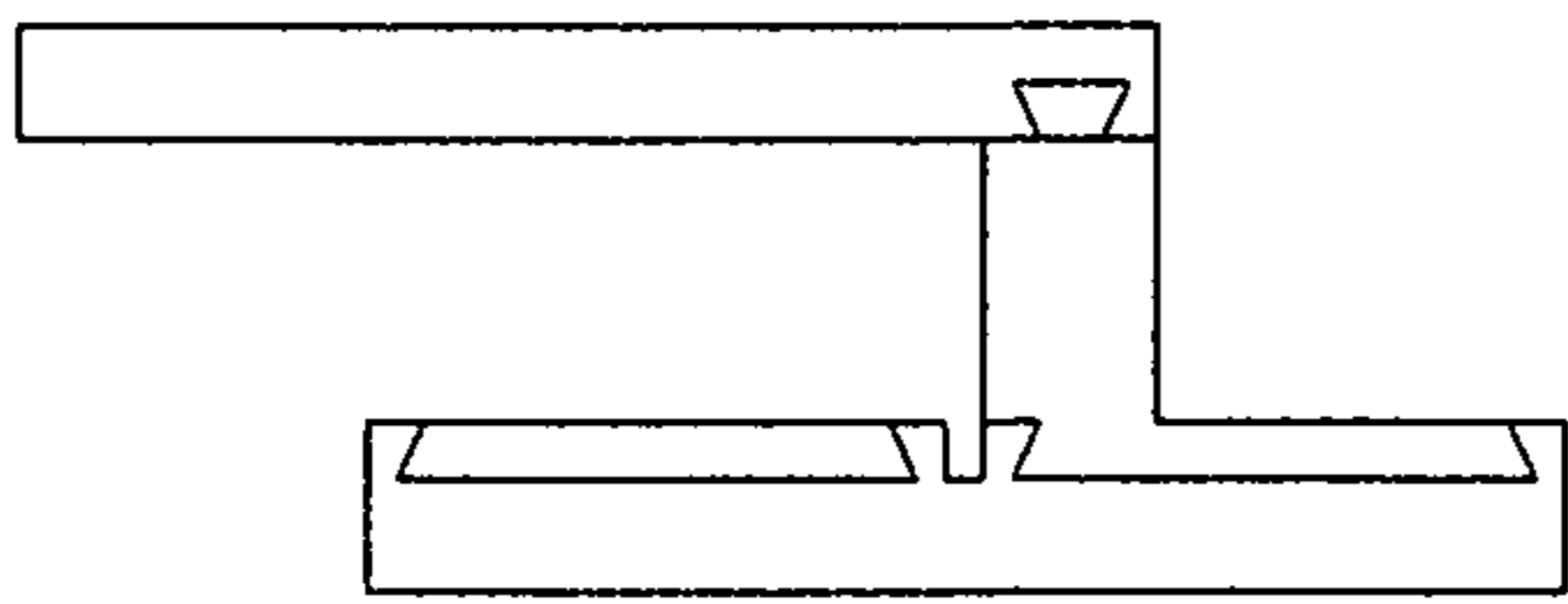


Fig. 1.1 - Left side view

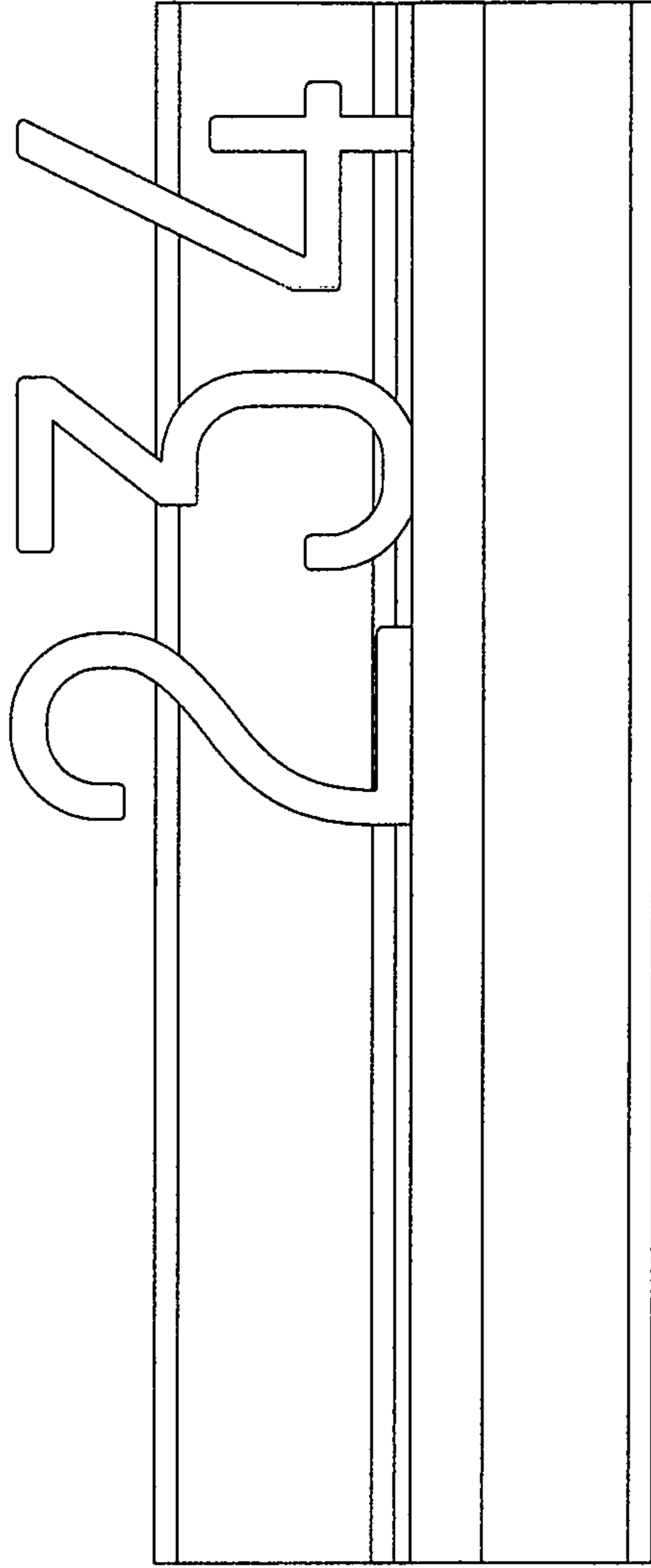


Fig 1.3 - Front view

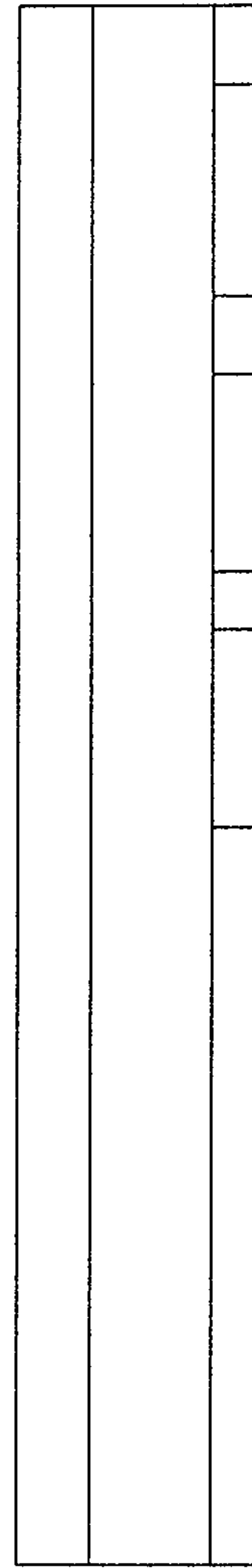


Fig 1.2 - Top view