



US00D912145S

(12) **United States Design Patent**
Zhang

(10) **Patent No.:** **US D912,145 S**
(45) **Date of Patent:** **** Mar. 2, 2021**

- (54) **PEN**
- (71) Applicant: **Beifa Group Co., Ltd.**, Ningbo (CN)
- (72) Inventor: **Youbin Zhang**, Ningbo (CN)
- (73) Assignee: **Beifa Group Co., Ltd.**, Ningbo (CN)
- (**) Term: **15 Years**
- (21) Appl. No.: **29/704,035**
- (22) Filed: **Aug. 30, 2019**
- (30) **Foreign Application Priority Data**

Mar. 1, 2019 (CN) 201930082845.3

- (51) **LOC (13) Cl.** **19-06**
- (52) **U.S. Cl.**
USPC **D19/171**
- (58) **Field of Classification Search**
USPC D19/115–204; D14/411; D9/723–727,
D9/504
CPC . B43K 5/005; B43K 7/12; B43K 8/00; B43K
8/02; B43K 8/04; B43K 8/06; B43K
8/14; B43K 8/145; B43K 8/16; B43K
21/003; B43K 21/006; B43K 21/06;
B43K 23/004
See application file for complete search history.

(56) **References Cited**

U.S. PATENT DOCUMENTS

D210,810 S *	4/1968	Wakai	D19/173
D297,649 S *	9/1988	Schiffner	D19/132
D324,069 S *	2/1992	Katami	D19/174
D352,063 S *	11/1994	de Haro Egea	D19/133
D394,455 S *	5/1998	Izushima	D19/174
D397,723 S *	9/1998	Izushima	D19/171
D472,927 S *	4/2003	Pellissa Beneyto	D19/174

D489,091 S *	4/2004	Koch	D19/171
D505,156 S *	5/2005	Tatic	D19/174
D531,218 S *	10/2006	Tatic	D19/173
D551,707 S *	9/2007	Neuenschwander	D19/174
D552,681 S *	10/2007	Koch	D19/173
D586,398 S *	2/2009	Cheng	D19/197
D628,645 S *	12/2010	Zhang	D19/174
D641,406 S *	7/2011	Zhang	D19/171
D646,717 S *	10/2011	Koch	D19/174
D662,982 S *	7/2012	Zhang	D19/173
D676,170 S *	2/2013	Feng	D26/38
D695,342 S *	12/2013	Fischer	D19/174
D729,963 S *	5/2015	Windom	D26/49
D822,864 S *	7/2018	Windom	D26/51
D857,796 S *	8/2019	Pisapia	D19/171
D869,557 S *	12/2019	Csokmay	D19/173
D895,727 S *	9/2020	Lau	D19/170

* cited by examiner

Primary Examiner — Elizabeth A. Albert
(74) *Attorney, Agent, or Firm* — Seed Intellectual
Property Law Group LLP

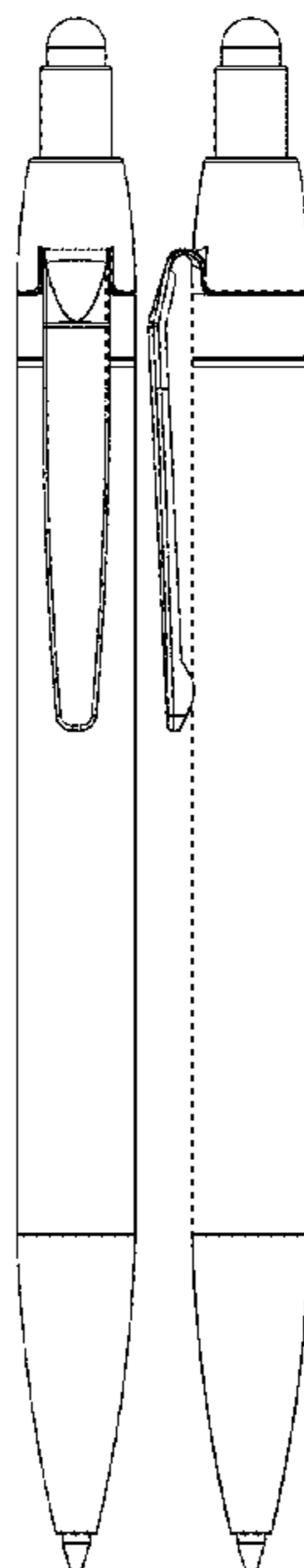
(57) **CLAIM**

The ornamental design for a pen, as shown and described.

DESCRIPTION

FIG. 1 is a front, right perspective view of a pen showing my new design.
 FIG. 2 is a front elevation view thereof.
 FIG. 3 is a rear elevation view thereof.
 FIG. 4 is a right side elevation view thereof, with the left side elevation view being a mirror image of the right side elevation view.
 FIG. 5 is a top plan view thereof.
 FIG. 6 is a bottom plan view thereof.
 FIG. 7 is an enlarged top plan view thereof; and,
 FIG. 8 is an enlarged bottom plan view thereof.

1 Claim, 3 Drawing Sheets



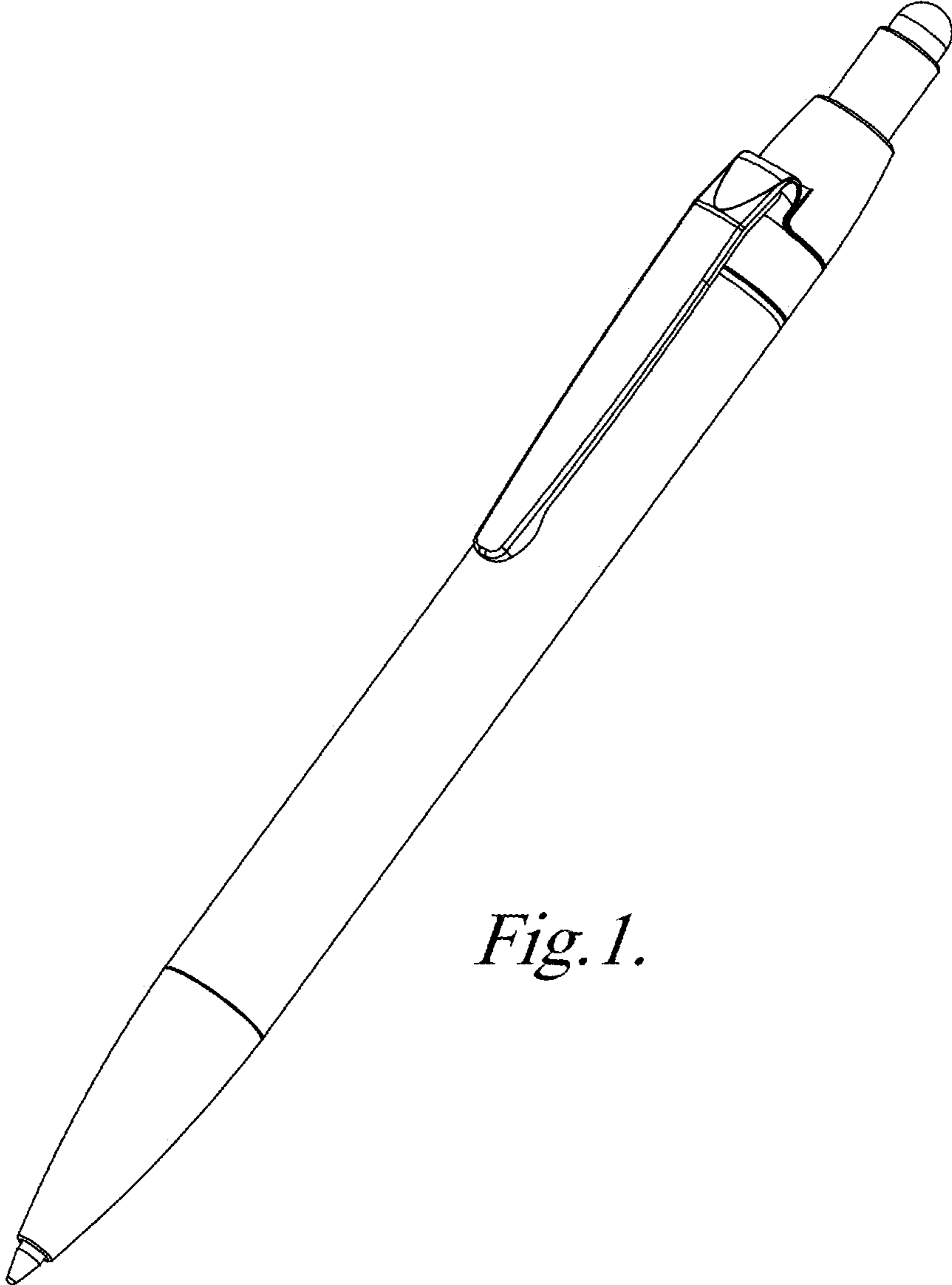


Fig. 1.

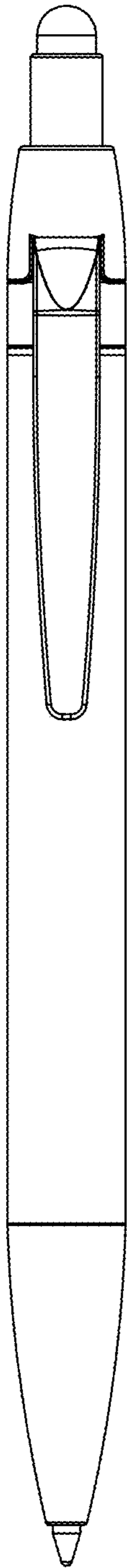


Fig. 2.

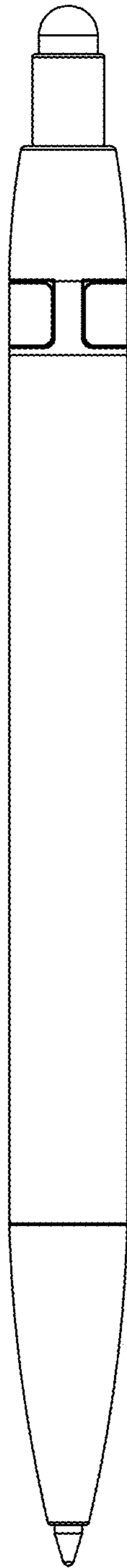


Fig. 3.

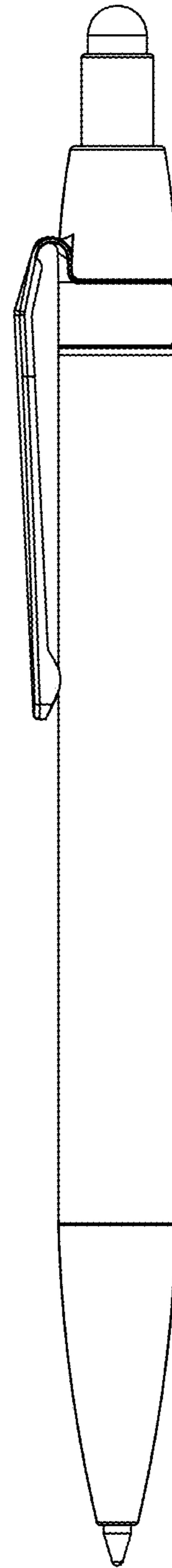


Fig. 4.

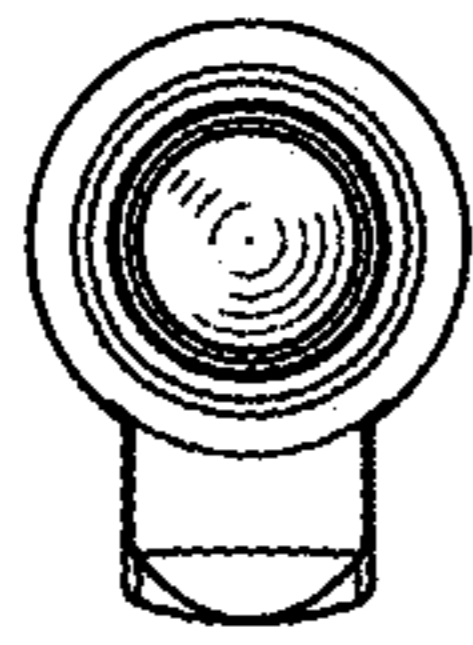


Fig. 5.

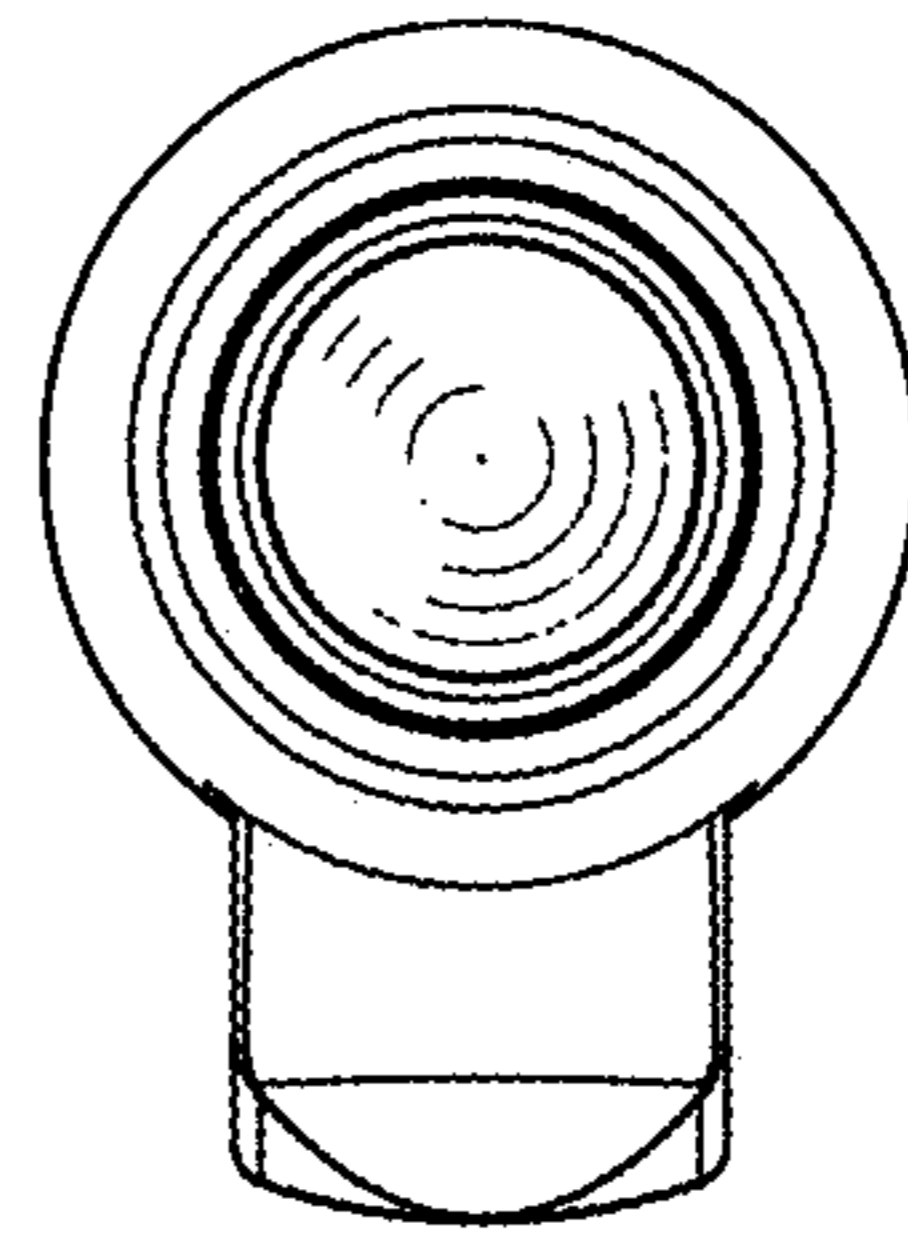


Fig. 7.

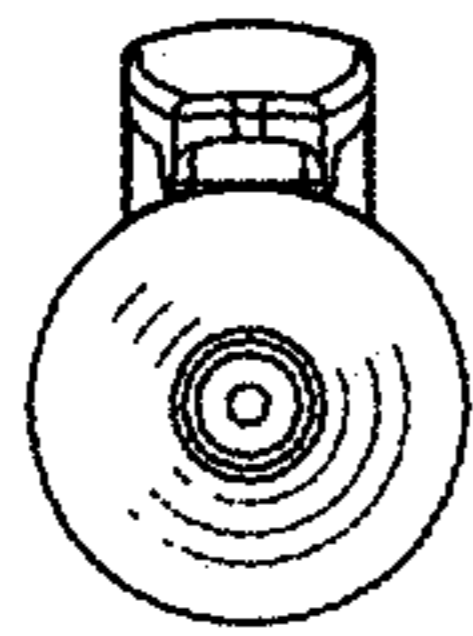


Fig. 6.

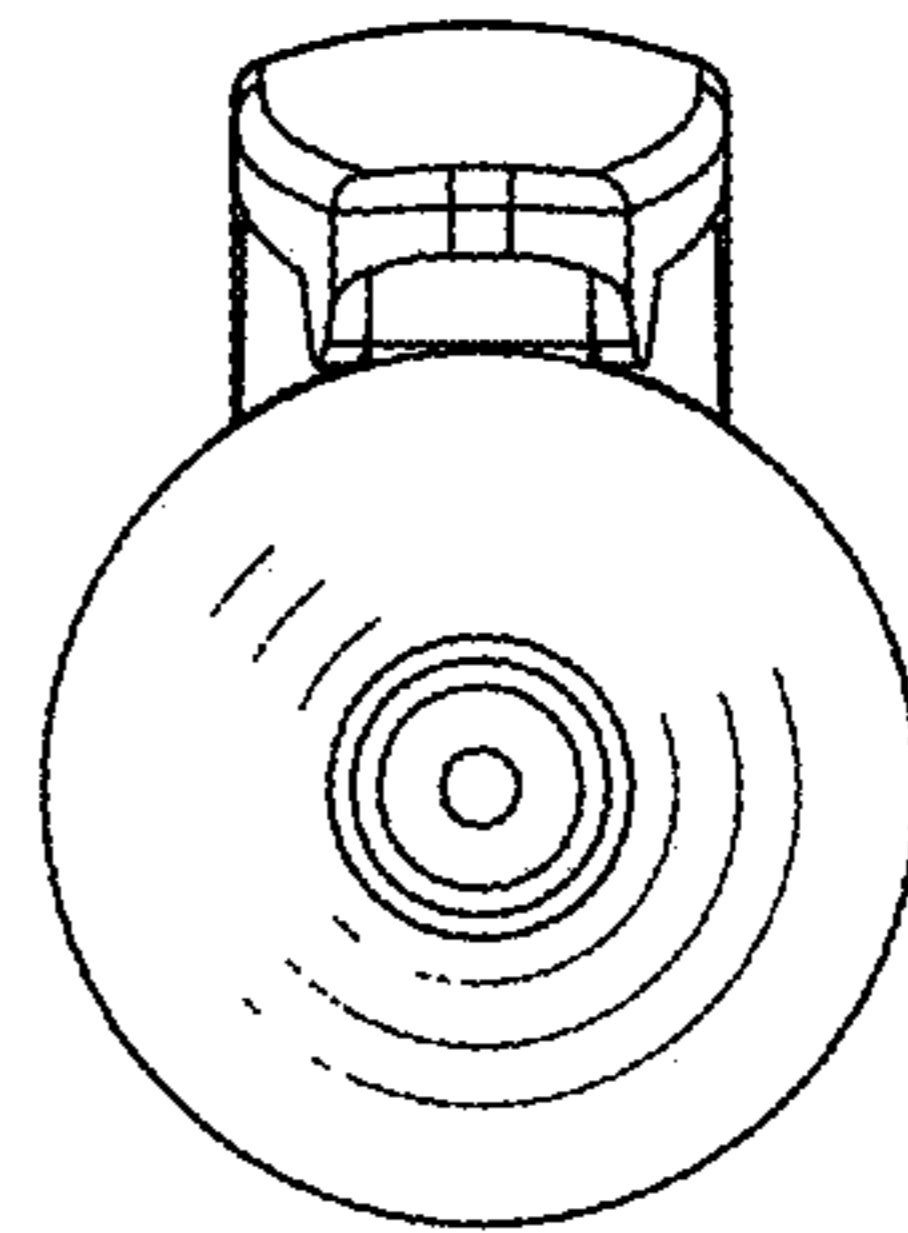


Fig. 8.