



US00D912144S

(12) **United States Design Patent**
Koreska

(10) **Patent No.:** **US D912,144 S**
(45) **Date of Patent:** **** Mar. 2, 2021**

(54) **MARKER WITH CAP**
(71) Applicant: **Kores Holding Zug AG**, Zug (CH)
(72) Inventor: **Clemens Koreska**, Vienna (AT)
(**) Term: **15 Years**
(21) Appl. No.: **35/508,150**
(22) Filed: **Nov. 21, 2019**

(80) **Hague Agreement Data**

Int. Filing Date: **Nov. 21, 2019**
Int. Reg. No.: **DM/204902**
Int. Reg. Date: **Nov. 21, 2019**
Int. Reg. Pub. Date: **Dec. 20, 2019**

(51) **LOC (13) Cl.** **19-06**

(52) **U.S. Cl.**
USPC **D19/167**

(58) **Field of Classification Search**
USPC D14/411; D19/115-204
CPC . B43K 5/005; B43K 7/12; B43K 8/04; B43K
8/06; B43K 19/00; B43K 19/02; B43K
19/14; B43K 21/006; B43K 21/06
See application file for complete search history.

(56) **References Cited**

U.S. PATENT DOCUMENTS

D319,844 S * 9/1991 Grotsch D19/167
D342,546 S * 12/1993 Song D19/167

D409,659 S * 5/1999 Hasegawa D19/167
D447,174 S * 8/2001 Kamiyama D19/167
D498,791 S * 11/2004 Morrow D19/197
D508,264 S * 8/2005 Losel D19/175
D572,759 S * 7/2008 Zhao D19/167
D641,410 S * 7/2011 Tan D19/167
D647,964 S * 11/2011 Wang D19/167
D780,266 S * 2/2017 Rimoux D19/117
D892,800 S * 8/2020 Xu D14/411

* cited by examiner

Primary Examiner — Michael A. Pratt

(57) **CLAIM**

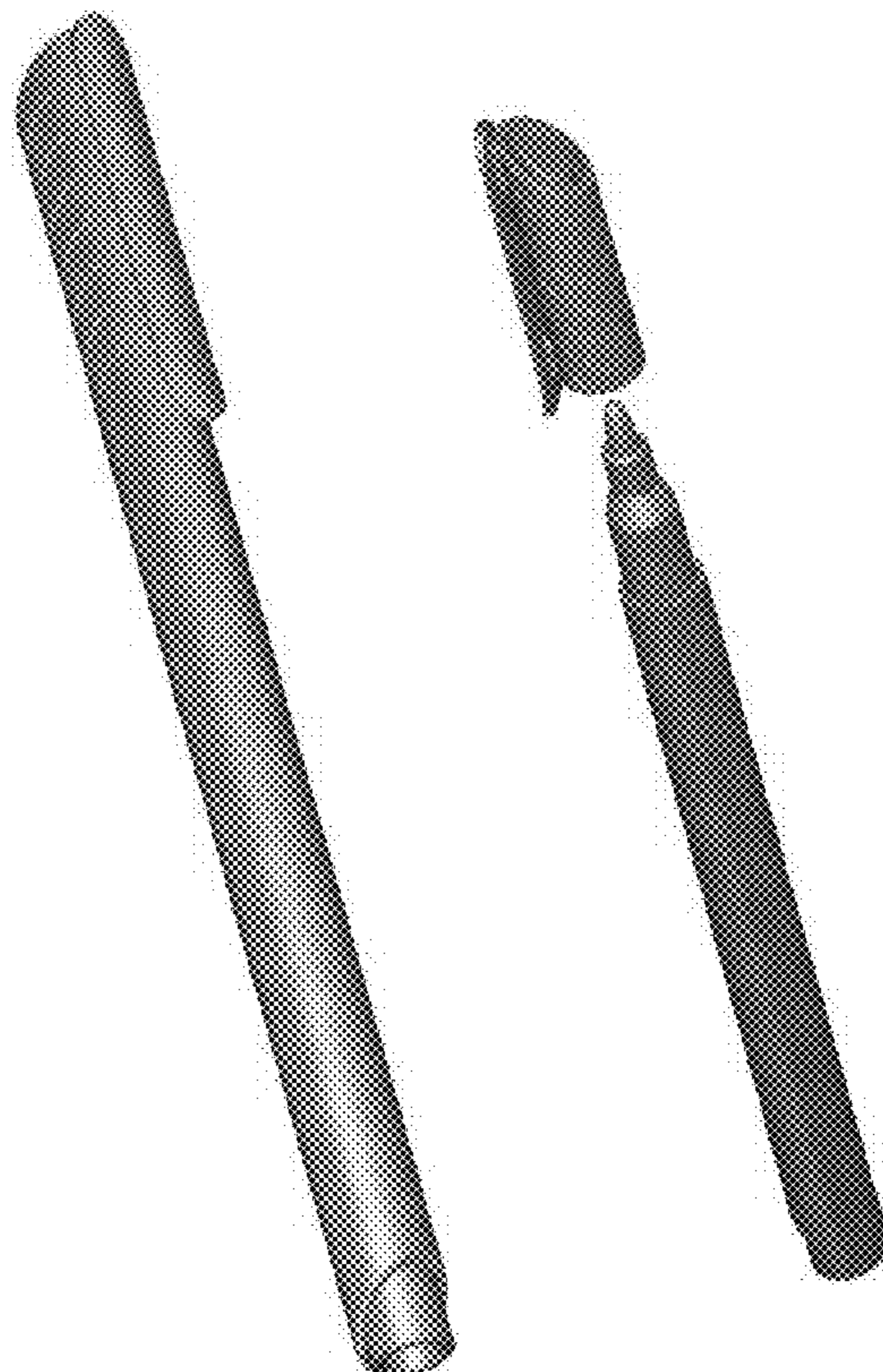
The ornamental design for a marker with cap, as shown and described.

DESCRIPTION

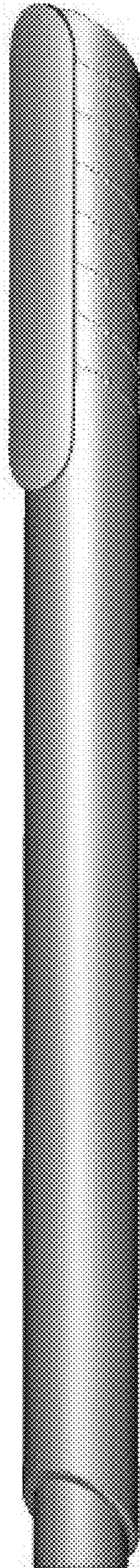
The patent or application file contains at least one drawing executed in color. Copies of this patent or patent application publication with color drawing(s) will be provided by the Office upon request and payment of the necessary fee.

- 1. Marker with cap
- 1.1: Perspective
- 1.2: Perspective
- 1.3: Perspective
- 1.4: Perspective
- 1.5: Side
- 1.6: Perspective with cap detached
- 1.7: Side with cap detached
- 1.8: Perspective with cap detached

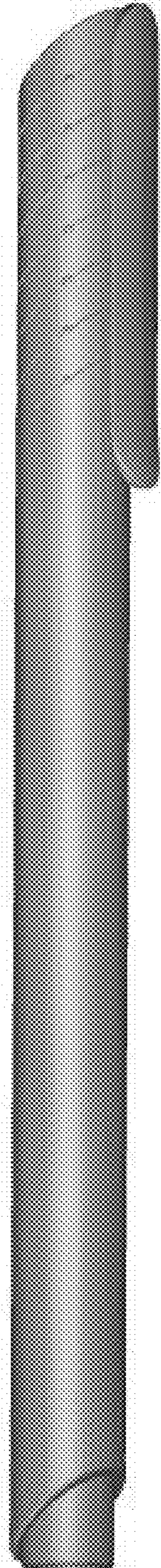
1 Claim, 8 Drawing Sheets
(8 of 8 Drawing Sheet(s) Filed in Color)



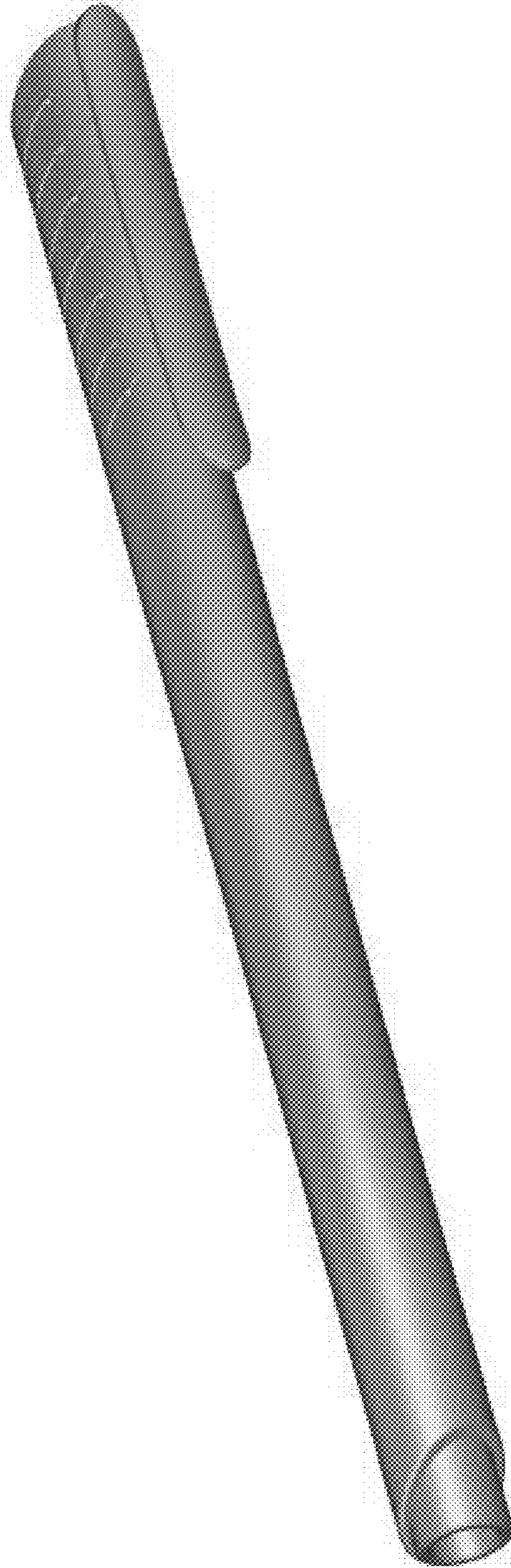
1.1



1.2



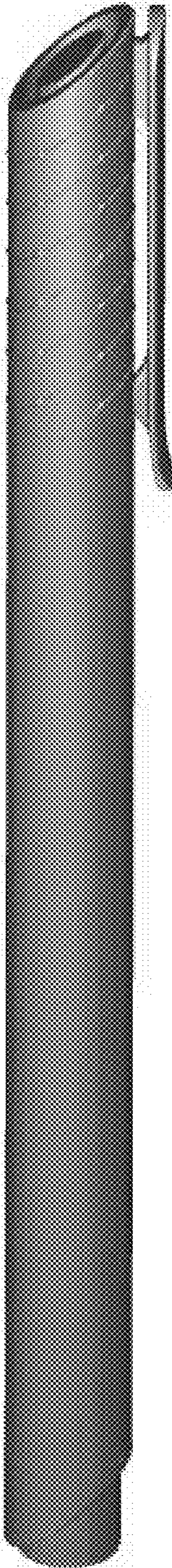
1.3



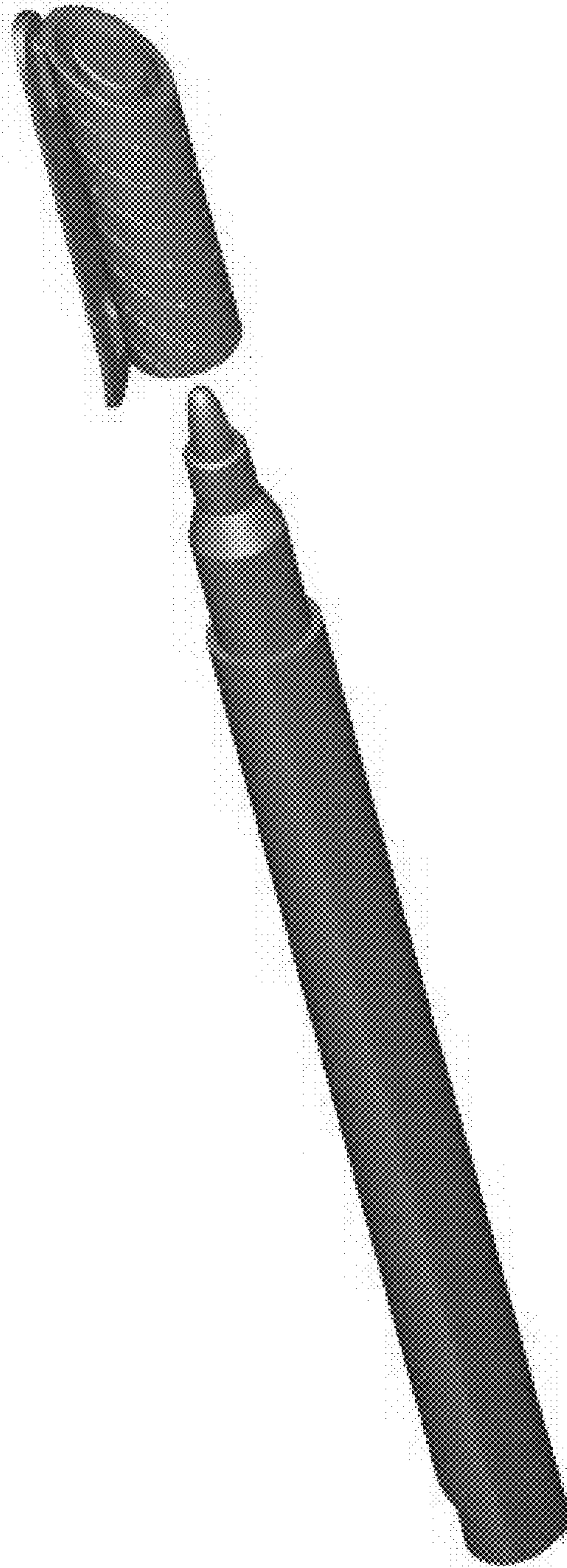
1.4



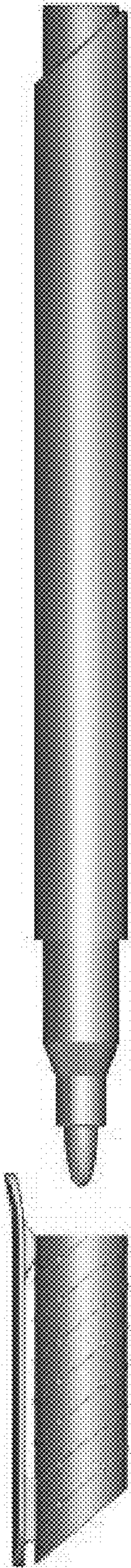
1.5



1.6



1.7



1.8

