



US00D912142S

(12) **United States Design Patent**
Zhang

(10) **Patent No.:** **US D912,142 S**

(45) **Date of Patent:** **** Mar. 2, 2021**

- (54) **PEN**
- (71) Applicant: **Beifa Group Co., Ltd.**, Ningbo (CN)
- (72) Inventor: **Youbin Zhang**, Ningbo (CN)
- (73) Assignee: **Beifa Group Co., Ltd.**, Ningbo (CN)
- (**) Term: **15 Years**
- (21) Appl. No.: **29/693,520**
- (22) Filed: **Jun. 3, 2019**

(30) **Foreign Application Priority Data**

Dec. 3, 2018 (CN) 201830692640.2

(51) **LOC (13) Cl.** **19-06**

(52) **U.S. Cl.**
USPC **D19/163; D19/926**

(58) **Field of Classification Search**
USPC D19/115–204; D14/411
CPC . B43K 5/005; B43K 7/12; B43K 8/04; B43K
8/06; B43K 21/006; B43K 21/06
See application file for complete search history.

(56) **References Cited**

U.S. PATENT DOCUMENTS

D94,375 S *	1/1935	Back	D19/163
D103,387 S *	3/1937	Chesler	D9/424
D266,335 S *	9/1982	Chau	D10/31
D270,843 S *	10/1983	Itoh	D19/169
D321,207 S *	10/1991	Granoff	D19/173
D335,145 S *	4/1993	Katami	D19/195
D470,885 S *	2/2003	Tahara	D19/117
7,448,767 B2 *	11/2008	Zhang	A45D 34/045 362/118
7,461,991 B2 *	12/2008	Dalancourt	B43K 5/005 401/208
D585,489 S *	1/2009	Han	D19/117

D598,496 S *	8/2009	Ikeda	D19/168
D639,337 S *	6/2011	Hung	D19/117
D656,545 S *	3/2012	Hung	D19/117
D662,979 S *	7/2012	Xie	D19/163
D725,821 S *	3/2015	Levin	D27/101
9,427,022 B2 *	8/2016	Levin	A24F 47/008
D775,279 S *	12/2016	Shen	D19/117
D790,126 S *	6/2017	Bennett	D27/101
D793,547 S *	8/2017	Burkett	D24/112
D800,566 S *	10/2017	Wieland	D9/529
D837,297 S *	1/2019	Muroi	D19/117
D858,636 S *	9/2019	Noyori	D19/163
D883,382 S *	5/2020	King	D19/163
2016/0366946 A1 *	12/2016	Murison	H05B 1/0297

* cited by examiner

Primary Examiner — Elizabeth A Albert

(74) *Attorney, Agent, or Firm* — Seed Intellectual Property Law Group LLP

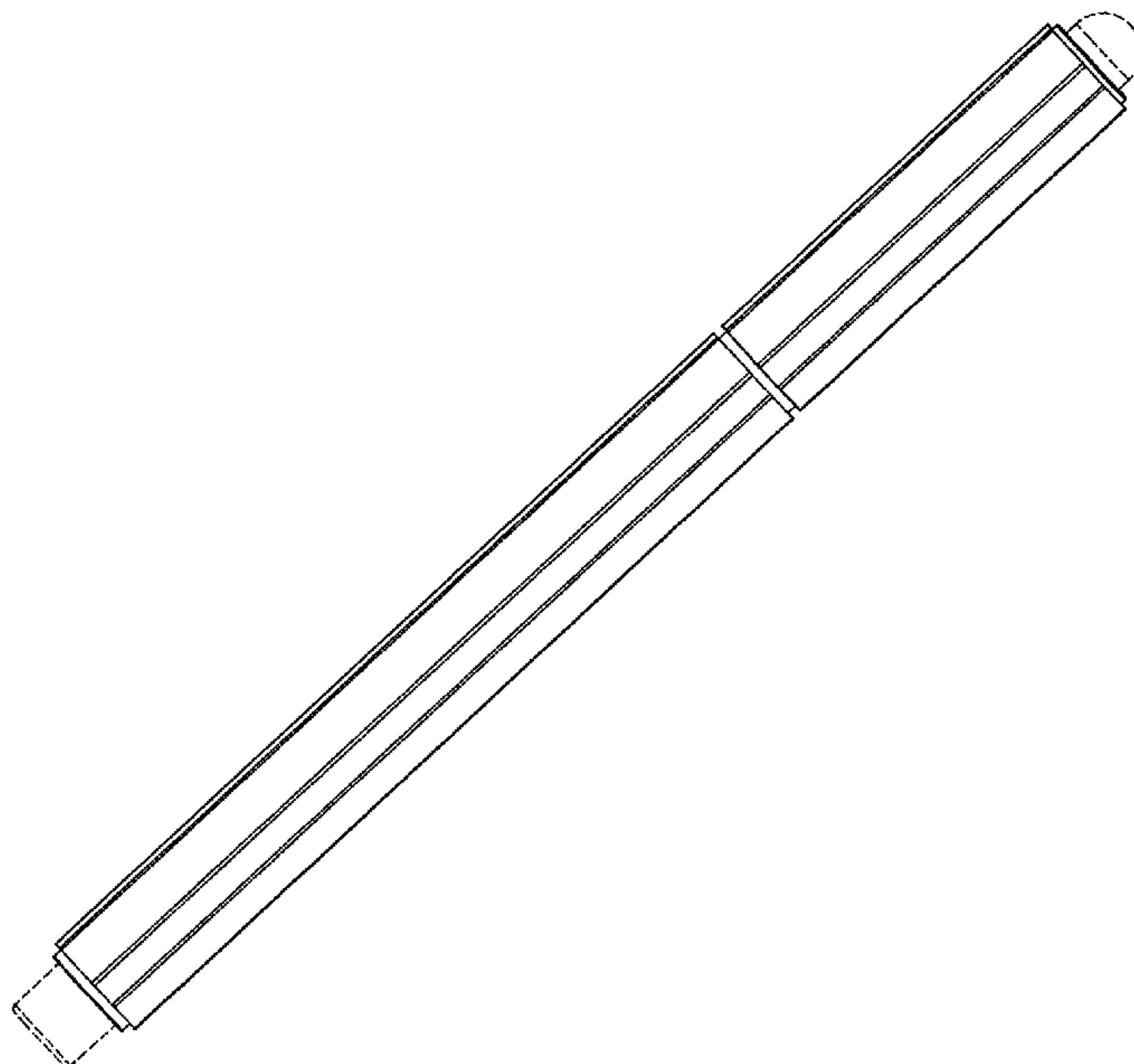
(57) **CLAIM**

The ornamental design for a pen, as shown and described.

DESCRIPTION

FIG. 1 is a front right perspective view of a pen showing my new design;
 FIG. 2 is a front elevation view thereof;
 FIG. 3 is a rear elevation view thereof;
 FIG. 4 is a right side elevation view thereof, with the left side elevation view being a mirror image of the right side elevation view;
 FIG. 5 is a top plan view thereof;
 FIG. 6 is a bottom plan view thereof;
 FIG. 7 is an enlarged top plan view thereof;
 FIG. 8 is an enlarged bottom plan view thereof; and,
 FIG. 9 is an exploded front right perspective view thereof.
 The broken lines in the figures illustrate portions of the pen that form no part of the claimed design.

1 Claim, 4 Drawing Sheets



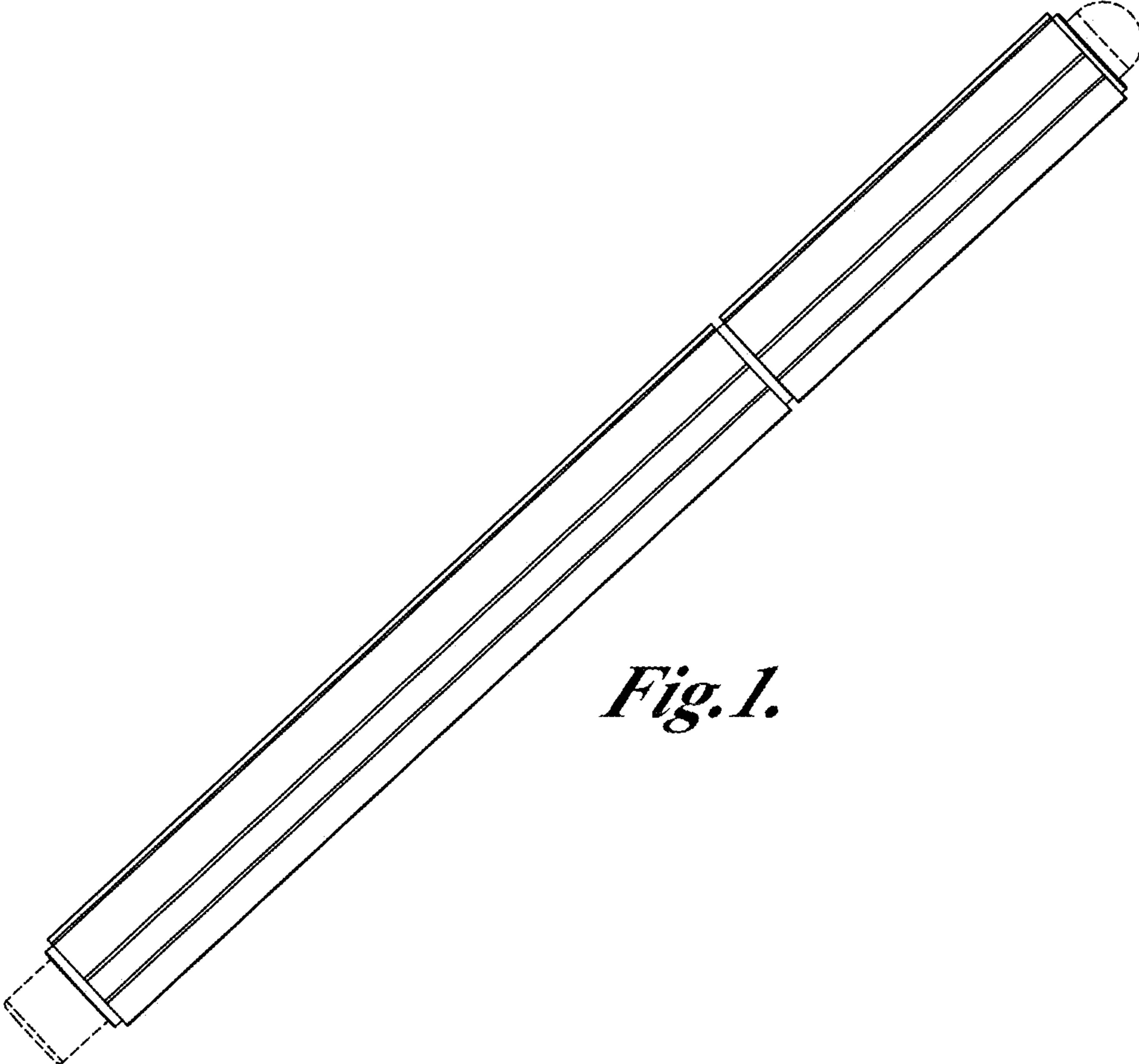


Fig.1.

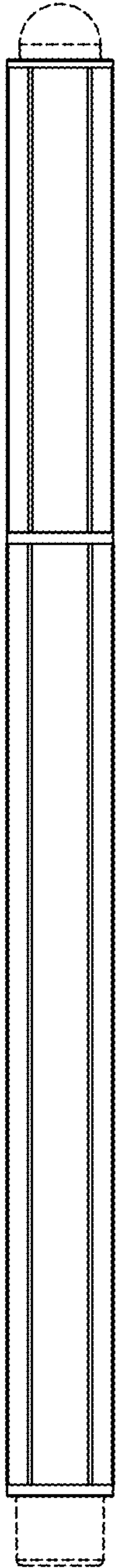


Fig. 2.

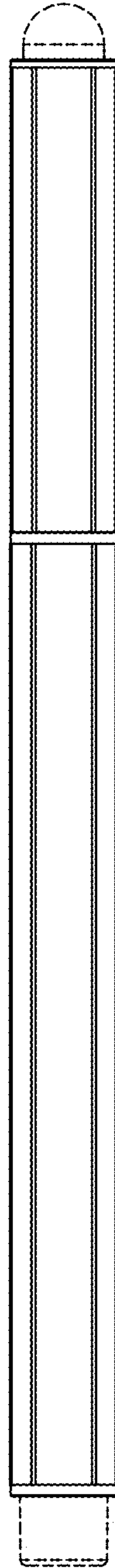


Fig. 3.

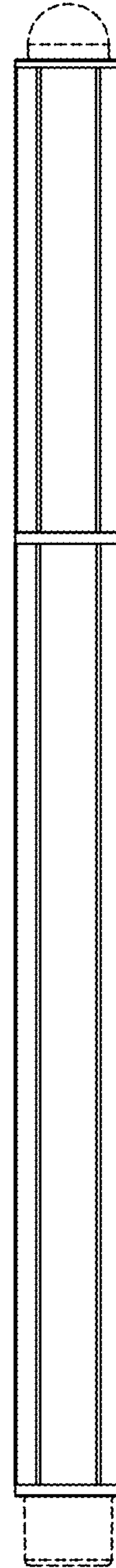


Fig. 4.



Fig. 5.

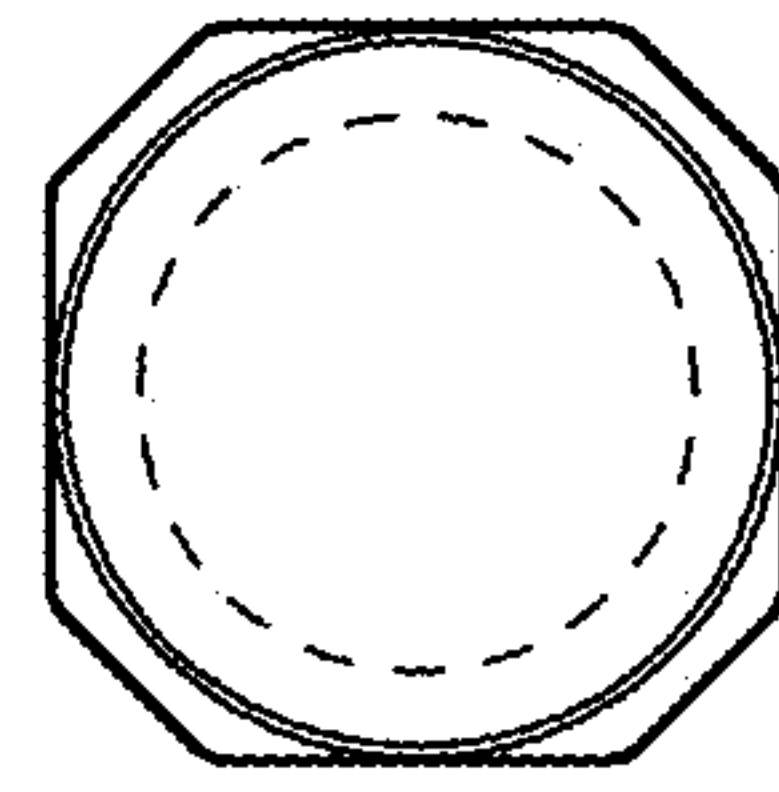


Fig. 7.

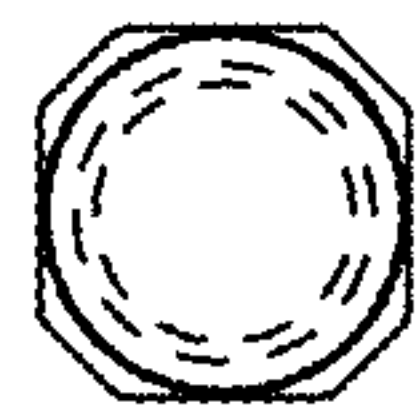


Fig. 6.

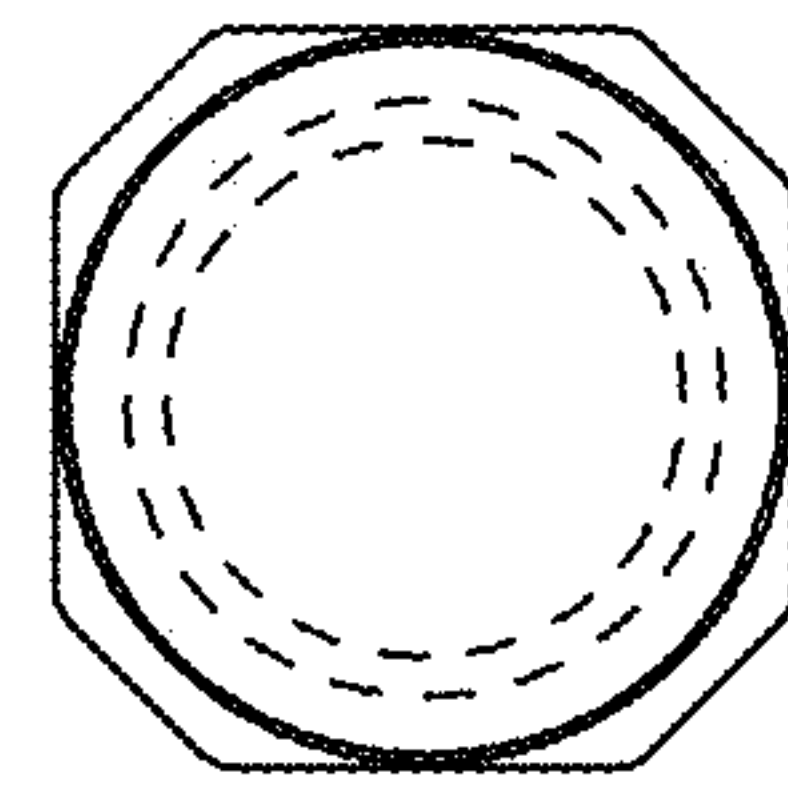


Fig. 8.

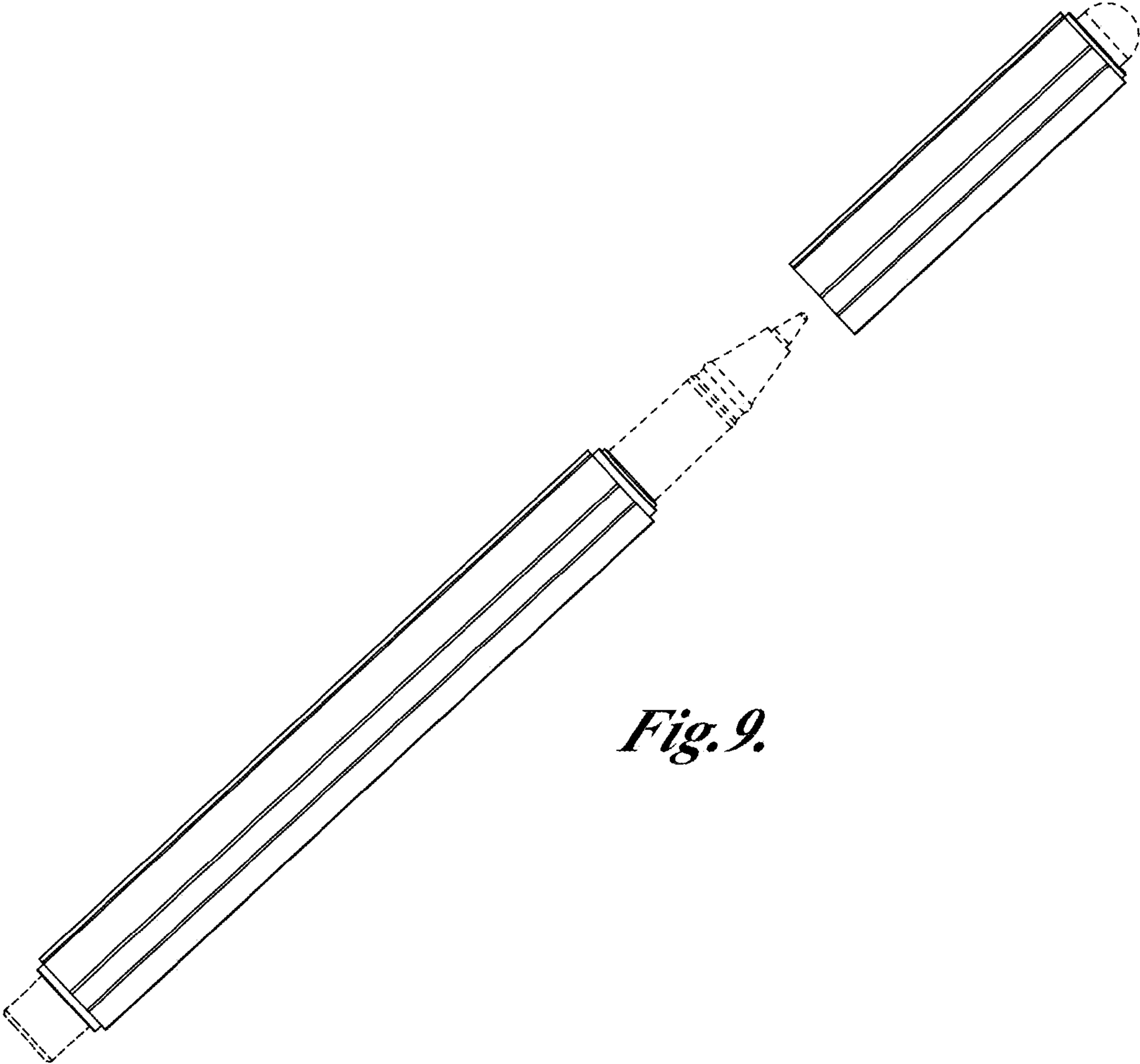


Fig. 9.