



US00D912141S

(12) **United States Design Patent**  
**Klosky**

(10) **Patent No.:** **US D912,141 S**  
(45) **Date of Patent:** **\*\* Mar. 2, 2021**

(54) <b>FOLDER</b>	754,048 A * 3/1904 Bushnell, Jr. .... B42F 7/08 229/67.3
(71) Applicant: <b>IdeaStream Consumer Products, LLC, Cleveland, OH (US)</b>	757,596 A * 4/1904 Bushnell, Jr. .... B42F 7/08 229/67.3
(72) Inventor: <b>Eric Fitzgerald Klosky, Chagrin Falls, OH (US)</b>	975,792 A * 11/1910 Pittman ..... B42F 7/08 229/67.3
(73) Assignee: <b>IdeaStream Consumer Products, LLC, Cleveland, OH (US)</b>	1,048,577 A * 12/1912 Pardoe, Jr. .... B42F 19/00 40/359
(**) Term: <b>15 Years</b>	1,455,419 A * 5/1923 Ahlquist ..... B65D 31/10 229/67.1
(21) Appl. No.: <b>29/679,723</b>	1,483,799 A * 2/1924 Hall ..... B42F 7/08 220/476
(22) Filed: <b>Feb. 8, 2019</b>	1,622,753 A * 3/1927 Ahlquist ..... B42F 19/00 229/67.3
	1,745,249 A * 1/1930 Doughty ..... B42F 7/08 229/67.3

(Continued)

*Primary Examiner* — Elizabeth A. Albert  
(74) *Attorney, Agent, or Firm* — Calfee, Halter & Griswold LLP

**Related U.S. Application Data**

(63) Continuation of application No. 29/580,307, filed on Oct. 7, 2016, now Pat. No. Des. 840,473, which is a continuation of application No. 29/510,697, filed on Dec. 2, 2014, now Pat. No. Des. 771,747, which is a continuation of application No. 29/462,107, filed on Jul. 31, 2013, now Pat. No. Des. 719,214, which is a continuation of application No. 29/388,222, filed on Mar. 25, 2011, now Pat. No. Des. 689,548.

(51) **LOC (13) Cl.** ..... **19-02**

(52) **U.S. Cl.**  
USPC ..... **D19/90**

(58) **Field of Classification Search**  
USPC ..... D19/26–33, 86, 90, 91  
CPC ..... B42F 7/06; B42F 7/08; B42F 15/0035;  
B42F 15/04; B42F 15/023; B42F 19/00;  
B42F 21/08  
See application file for complete search history.

(56) **References Cited**

**U.S. PATENT DOCUMENTS**

325,676 A *	9/1885	Jenkins	.....	B42F 17/02 206/425
635,582 A *	10/1899	Pedrick	.....	B42F 17/02 206/425

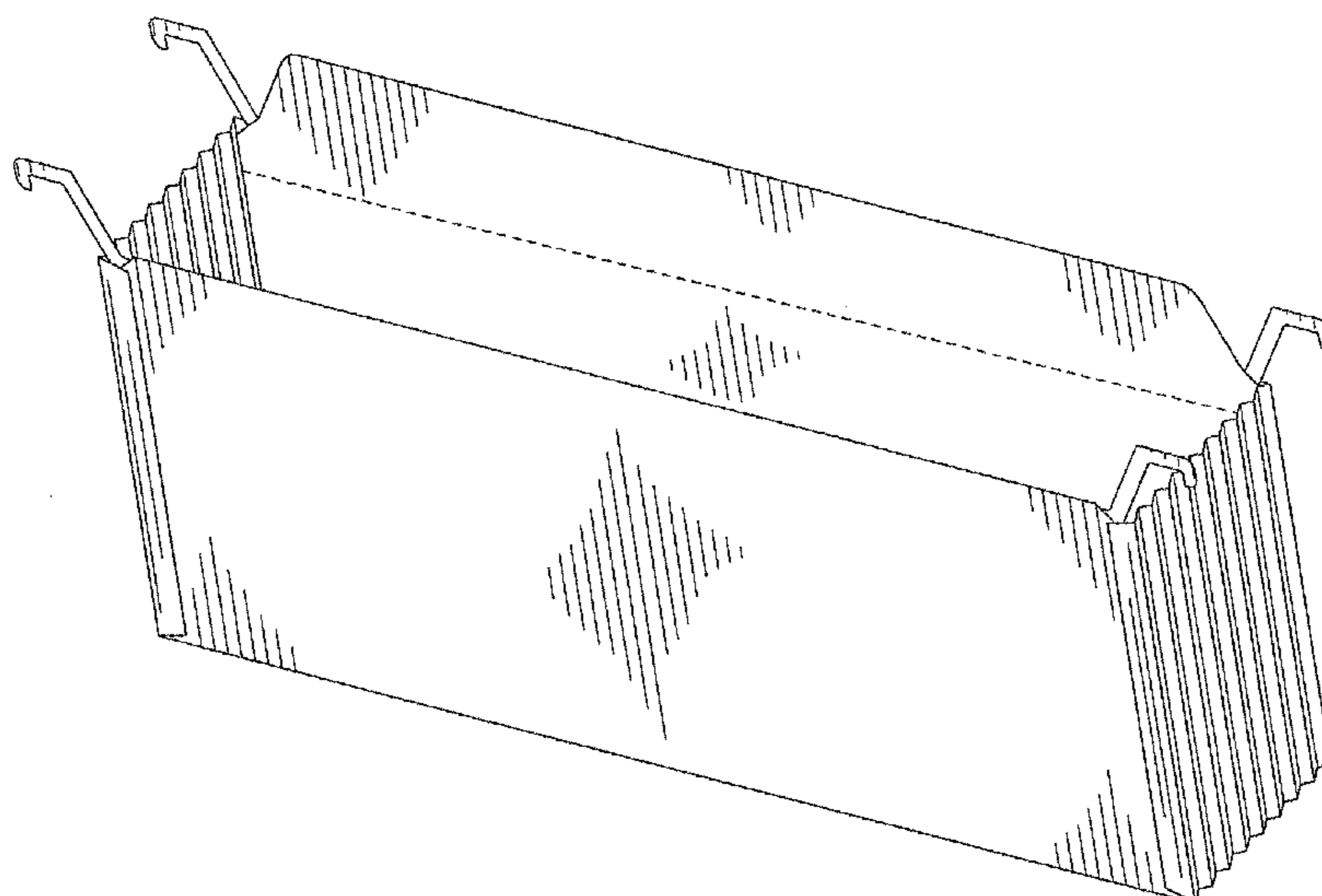
(57) **CLAIM**

I claim the ornamental design for a folder, as shown and described.

**DESCRIPTION**

FIG. 1 is a front, right, top perspective view of a folder for which a front, left, top perspective view is a mirror image thereof;  
FIG. 2 is a front elevational view thereof;  
FIG. 3 is a rear elevational view thereof;  
FIG. 4 is a top plan view thereof;  
FIG. 5 is a bottom plan view thereof;  
FIG. 6 is a right side elevational view thereof; and,  
FIG. 7 is a left side elevational view thereof.  
The broken line in FIG. 1 is included for the purpose of showing a feature of the folder that forms no part of the claimed design.

**1 Claim, 3 Drawing Sheets**



(56)

References Cited

U.S. PATENT DOCUMENTS

1,802,429 A *	4/1931	Josephson	.....	B42F 19/00	229/67.3	5,171,202 A *	12/1992	Su	.....	B42C 7/002	493/189
2,330,402 A *	9/1943	Winokar	.....	B42F 7/06	229/72	5,256,130 A *	10/1993	Kachel	.....	B42F 15/0035	493/210
3,224,661 A *	12/1965	Tilton, Jr.	.....	B65D 21/086	229/72	5,342,467 A *	8/1994	Corey	.....	B31F 5/04	156/227
4,273,397 A *	6/1981	Nolan	.....	B42F 17/08	229/72	5,720,427 A *	2/1998	Kachel	.....	B42F 7/08	229/67.3
4,274,577 A *	6/1981	Walsh, Jr.	.....	B42F 7/08	229/67.3	D405,832 S *	2/1999	Bolden	.....	D19/75	
4,460,119 A *	7/1984	Goodfellow	.....	B65D 27/00	206/806	D428,625 S *	7/2000	Henrikson	.....	D19/86	
4,540,390 A *	9/1985	Thorschmidt	.....	B31D 5/04	493/23	D434,075 S *	11/2000	Henrikson	.....	D19/86	
4,790,474 A *	12/1988	Mitsuyama	.....	A45C 11/24	229/120.02	D450,091 S *	11/2001	Henrikson	.....	D19/86	
4,988,038 A *	1/1991	Mitsuyama	.....	A45C 3/02	190/902	6,619,773 B2 *	9/2003	Amsterdam	.....	B42F 15/007	229/67.2
5,161,731 A *	11/1992	Rivlin	.....	B42F 7/00	229/67.3	10,065,444 B1 *	9/2018	Kirk	.....	B42F 21/00	
						10,538,123 B1 *	1/2020	Kirk	.....	B31D 5/0004	
						D898,117 S *	10/2020	Pan	.....	D19/90	
						2003/0201311 A1 *	10/2003	Lindley	.....	B42F 7/08	229/67.1
						2009/0045246 A1 *	2/2009	Dodson	.....	B42F 15/0035	229/67.2

\* cited by examiner

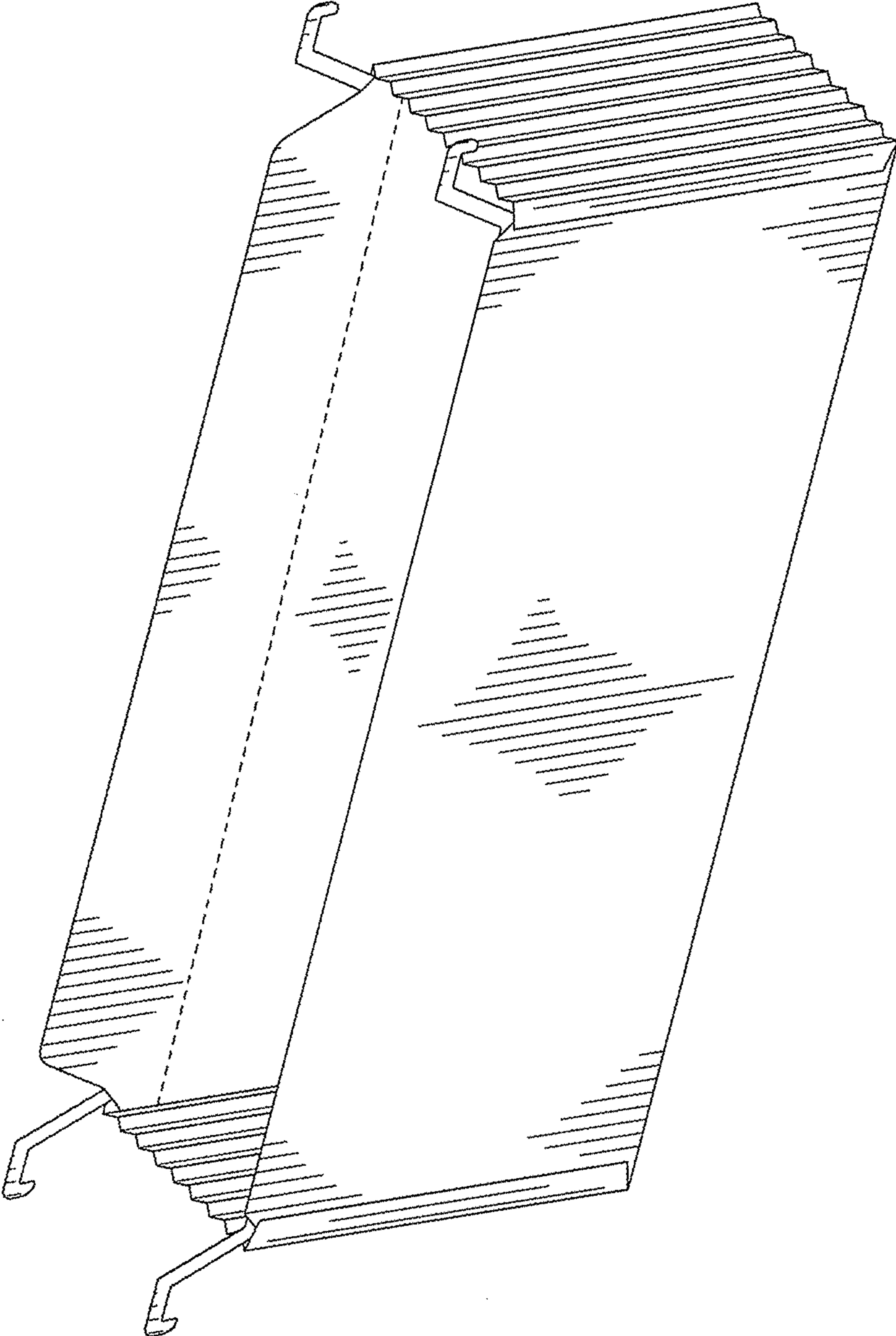


FIG. 1

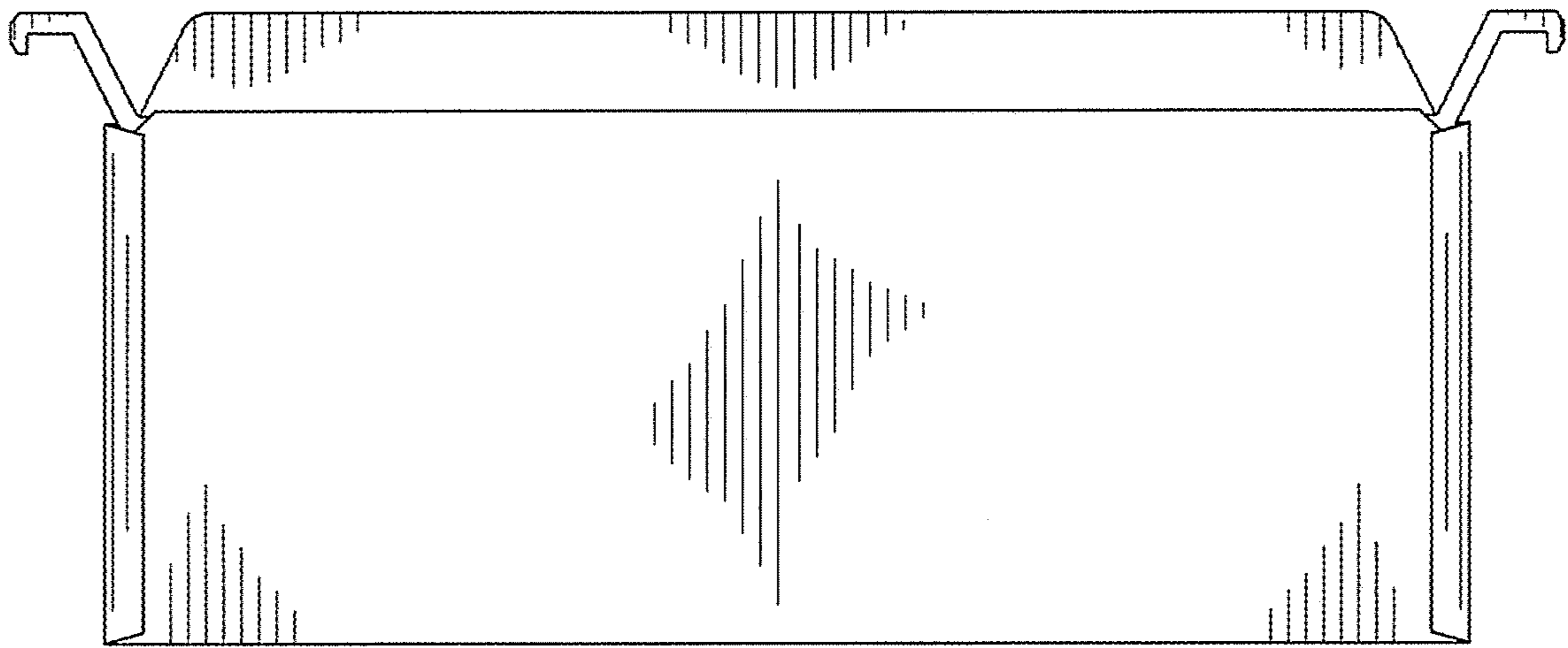


FIG. 2

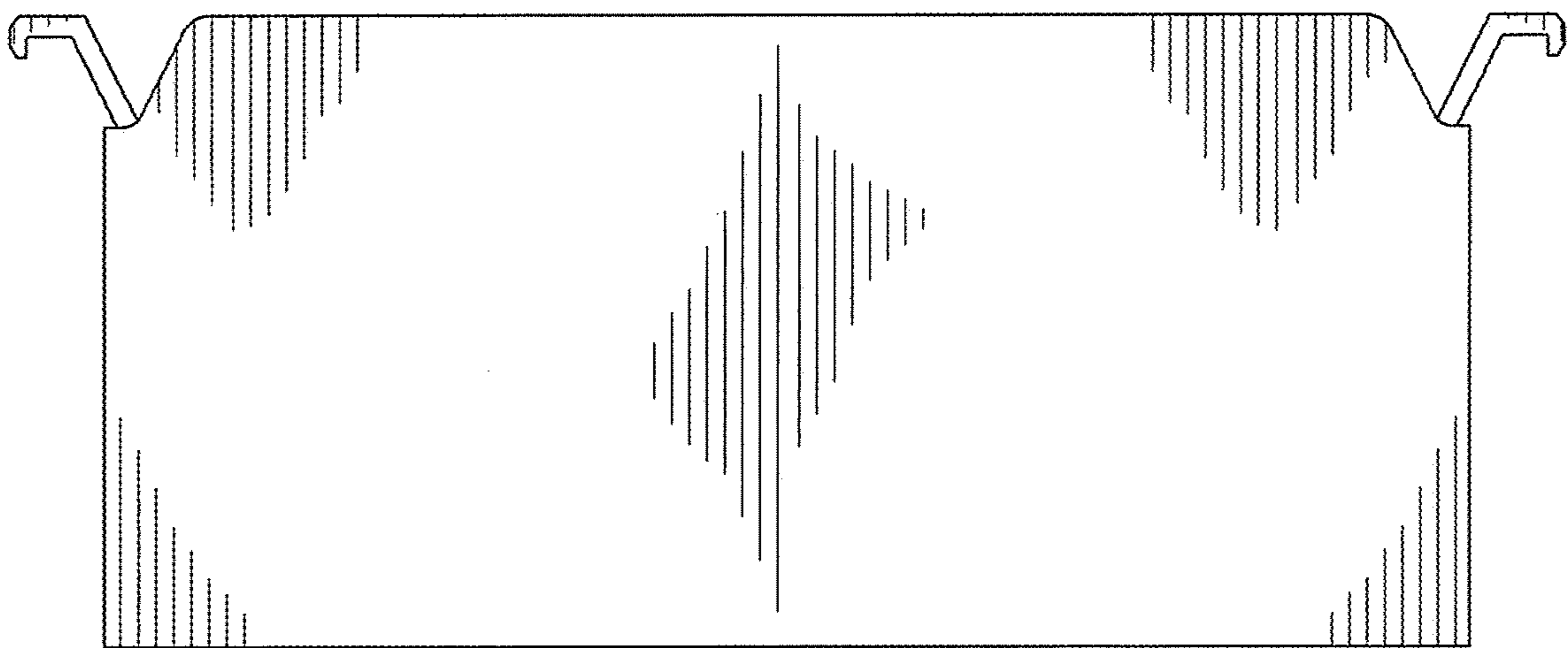


FIG. 3

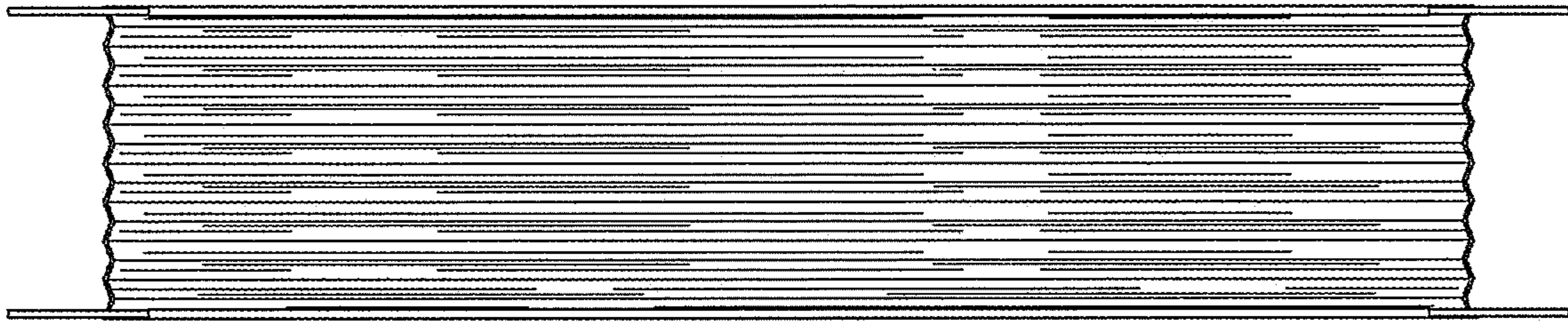


FIG. 4

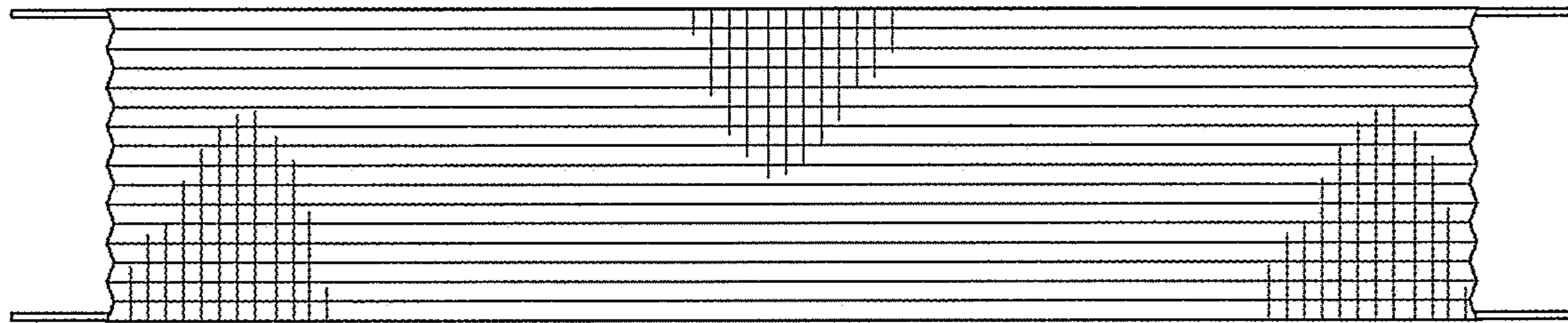


FIG. 5

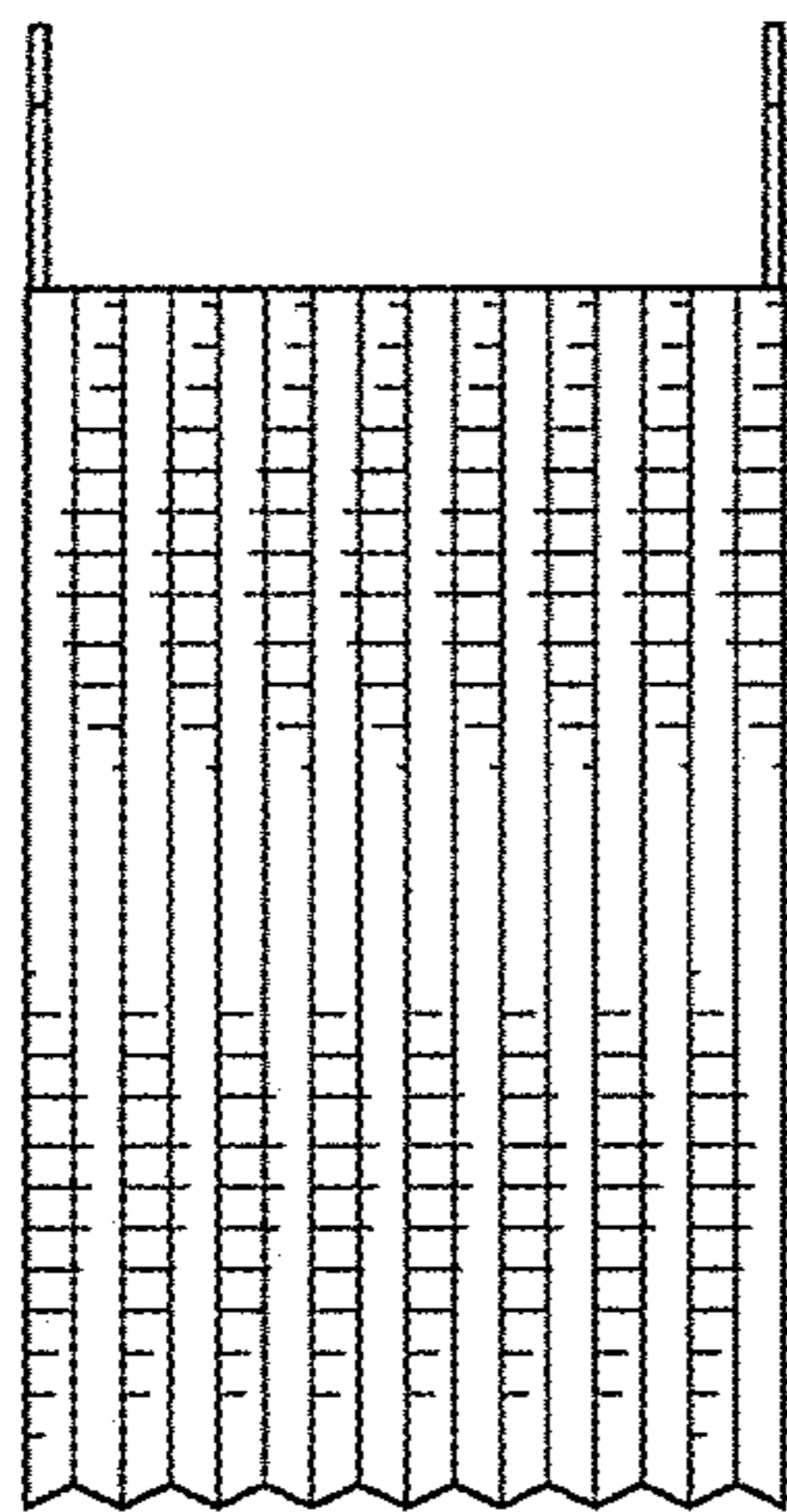


FIG. 6

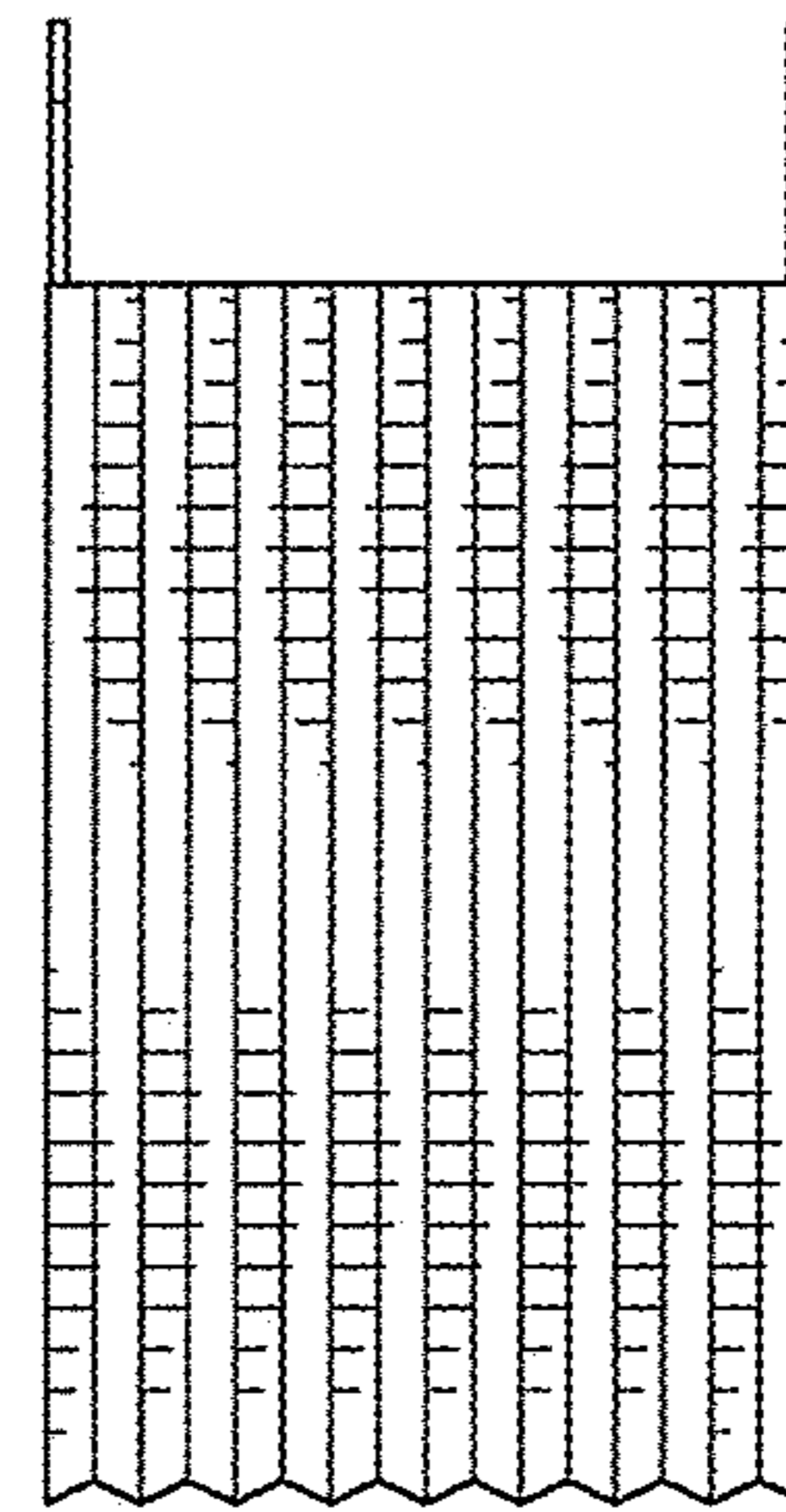


FIG. 7