



US00D912139S

(12) **United States Design Patent** (10) **Patent No.:** **US D912,139 S**
Menefee et al. (45) **Date of Patent:** **** Mar. 2, 2021**

(54) **INTEGRATED DUAL DISPLAY SENSOR**
(71) Applicant: **Avodah, Inc.**, Wilmington, DE (US)
(72) Inventors: **Michael Menefee**, Richardson, TX (US); **Dallas Nash**, Frisco, TX (US); **Trevor Chandler**, Thornton, CO (US)
(73) Assignee: **AVODAH, INC.**, Wilmington, DE (US)

8,553,037 B2 10/2013 Smith
D719,472 S * 12/2014 Sakaue D10/85
D721,290 S * 1/2015 Varacca D10/78
D722,315 S * 2/2015 Liang D14/336
D752,460 S * 3/2016 Gnauck D10/78
9,418,458 B2 8/2016 Chertok
9,715,252 B2 * 7/2017 Reeves G06F 1/1643
10,037,458 B1 7/2018 Mahmoud
2002/0069067 A1 6/2002 Knefelter
2003/0191779 A1 10/2003 Sagawa
(Continued)

(**) Term: **15 Years**

FOREIGN PATENT DOCUMENTS

(21) Appl. No.: **29/678,367**

JP 2017111660 A 6/2017

(22) Filed: **Jan. 28, 2019**

OTHER PUBLICATIONS

(51) **LOC (13) Cl.** **19-07**

(52) **U.S. Cl.**
USPC **D19/60**; D10/46; D14/336; D16/208

Chandler, T. et al. U.S. Appl. No. 16/270,532 Non-final Office Action dated Mar. 28, 2019, (pp. 1-21).

(58) **Field of Classification Search**
USPC D10/46, 78; D14/315, 316, 317, 336; D16/200, 208, 211, 212, 216; D19/60, D19/62, 64
CPC G10L 25/30; G10L 25/57; G10L 13/027; G10L 15/22; G10L 13/047; G10L 13/10; G06T 7/00; G06F 17/2785; G06F 17/28; G06F 3/0488; G06K 9/00342; G06K 9/00355; G06K 9/00771; G06K 9/00389

(Continued)

Primary Examiner — Antoine Duval Davis
(74) *Attorney, Agent, or Firm* — Perkins Coie LLP

See application file for complete search history.

(57) **CLAIM**

The ornamental designs for an integrated dual display sensor, as shown and described.

DESCRIPTION

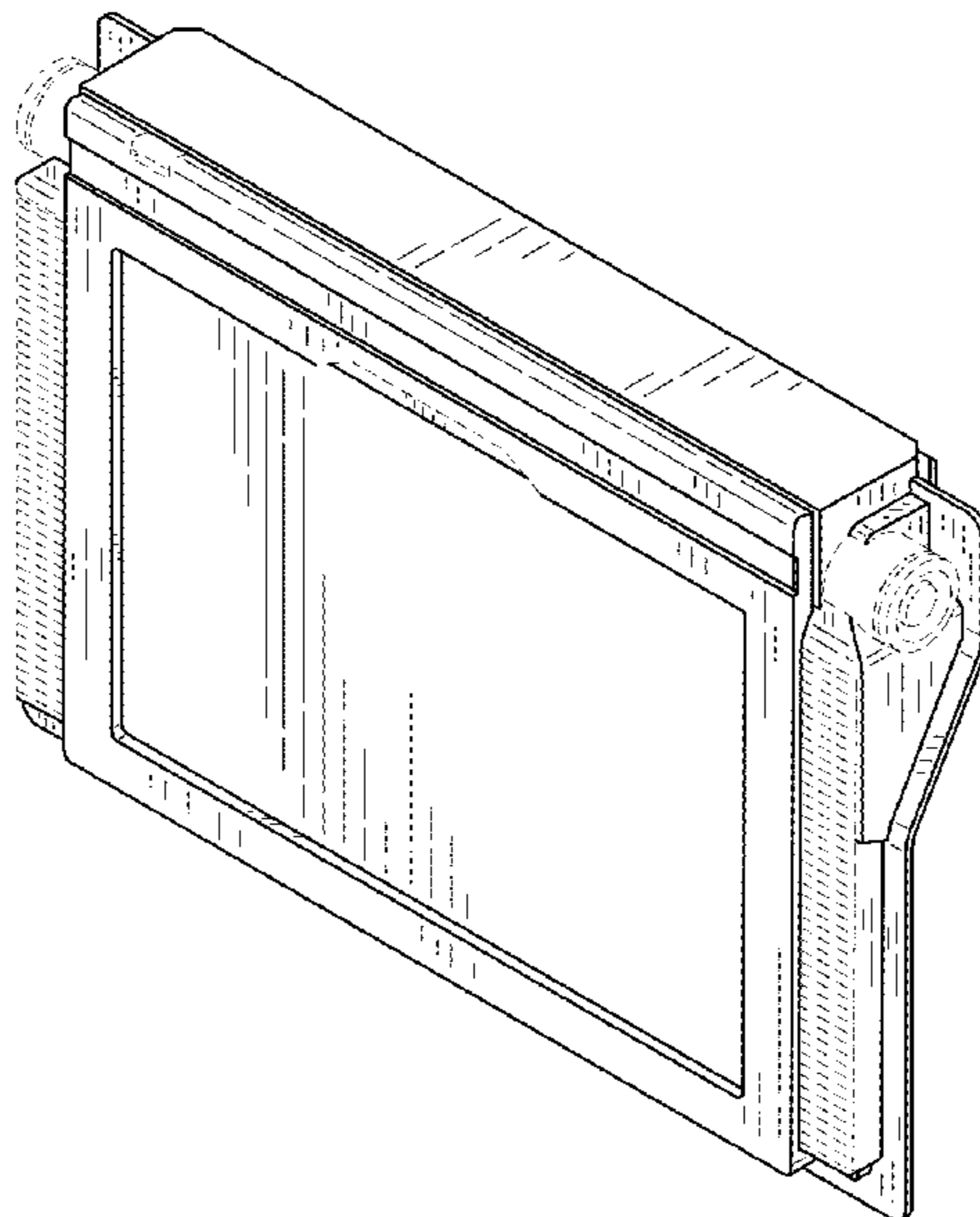
(56) **References Cited**

U.S. PATENT DOCUMENTS

5,481,454 A 1/1996 Inoue
5,544,050 A 8/1996 Abe
5,659,764 A 8/1997 Sakiyama
5,704,012 A 12/1997 Bigus
5,887,069 A 3/1999 Sakou
6,477,239 B1 11/2002 Ohki
6,628,244 B1 9/2003 Hiroswawa
7,027,054 B1 4/2006 Cheiky
7,702,506 B2 4/2010 Yoshimine
8,488,023 B2 7/2013 Bacivarov et al.

FIG. 1 is a perspective view of an integrated dual display sensor showing our design, as viewed from the top and back. FIG. 2 is a back profile view thereof. FIG. 3 is a front profile view thereof. FIG. 4 is a first side profile view thereof. FIG. 5 is a second side profile view thereof. FIG. 6 is a top plan view thereof; and, FIG. 7 is a bottom plan view thereof. The details shown in broken lines illustrate features that form no part of the claimed designs.

1 Claim, 7 Drawing Sheets



(56)

References Cited

U.S. PATENT DOCUMENTS

2004/0210603 A1 10/2004 Roston
 2005/0258319 A1 11/2005 Jeong
 2006/0134585 A1 6/2006 Adamo-Villani
 2006/0204033 A1 9/2006 Yoshimine
 2008/0013793 A1 1/2008 Hillis
 2008/0013826 A1 1/2008 Hillis
 2008/0024388 A1 1/2008 Bruce
 2008/0201144 A1 8/2008 Song
 2010/0044121 A1 2/2010 Simon
 2010/0194679 A1 8/2010 Wu et al.
 2010/0296706 A1 11/2010 Kaneda et al.
 2010/0310157 A1 12/2010 Kim
 2011/0221974 A1 9/2011 Stern
 2011/0228463 A1 9/2011 Matagne
 2011/0274311 A1 11/2011 Lee
 2013/0318525 A1 11/2013 Palanisamy
 2014/0101578 A1 4/2014 Kwak
 2015/0092008 A1 4/2015 Manley
 2015/0317304 A1 11/2015 An
 2016/0196672 A1 7/2016 Chertok
 2016/0267349 A1 9/2016 Shoaib
 2016/0320852 A1 11/2016 Poupyrev, IV
 2016/0379082 A1 12/2016 Rodriguez et al.
 2017/0090995 A1 3/2017 Jubinski
 2017/0153711 A1 6/2017 Dai
 2017/0206405 A1 7/2017 Molchanov
 2017/0255832 A1 9/2017 Jones et al.
 2017/0351910 A1 12/2017 Elwazer
 2018/0018529 A1 1/2018 Hiramatsu
 2018/0032846 A1 2/2018 Yang et al.

2018/0047208 A1 2/2018 Marin
 2018/0101520 A1 4/2018 Fuchizaki
 2018/0137644 A1 5/2018 Rad et al.
 2018/0181809 A1 6/2018 Ranjan
 2018/0189974 A1 7/2018 Clark
 2018/0268601 A1 9/2018 Rad
 2018/0373985 A1 12/2018 Yang
 2018/0374236 A1 12/2018 Ogata
 2019/0026956 A1 1/2019 Gausebeck
 2019/0043472 A1 2/2019 Garcia
 2019/0064851 A1 2/2019 Tran
 2019/0066733 A1 2/2019 Somanath

OTHER PUBLICATIONS

Chandler, T. et al. U.S. Appl. No. 16/258,514 Notice of Allowance dated Mar. 27, 2019, (pp. 1-8).
 Chanler, T. et al. U.S. Appl. No. 16/258,531 Notice of Allowance dated Mar. 25, 2019, (pp. 1-8).
 Chandler, T. et al. U.S. Appl. No. 16/258,524 Notice of Allowance dated Apr. 23, 2019, (16 pages).
 International Application No. PCT/US2019/017299, International Search Report and Written Opinion dated May 31, 2019 (12 pages.).
 Menefee, M. et al. U.S. Appl. No. 16/270,540, Non-Final Office Action dated Jul. 29, 2019, (9 pages).
 Chandler, T. et al. U.S. Appl. No. 16/270,532, Notice of Allowance dated Aug. 12, 2019, (11 pages).
 Chandler, T. et al. U.S. Appl. No. 16/505,484, Notice of Allowance dated Aug. 21, 2019, (16 pages).

* cited by examiner

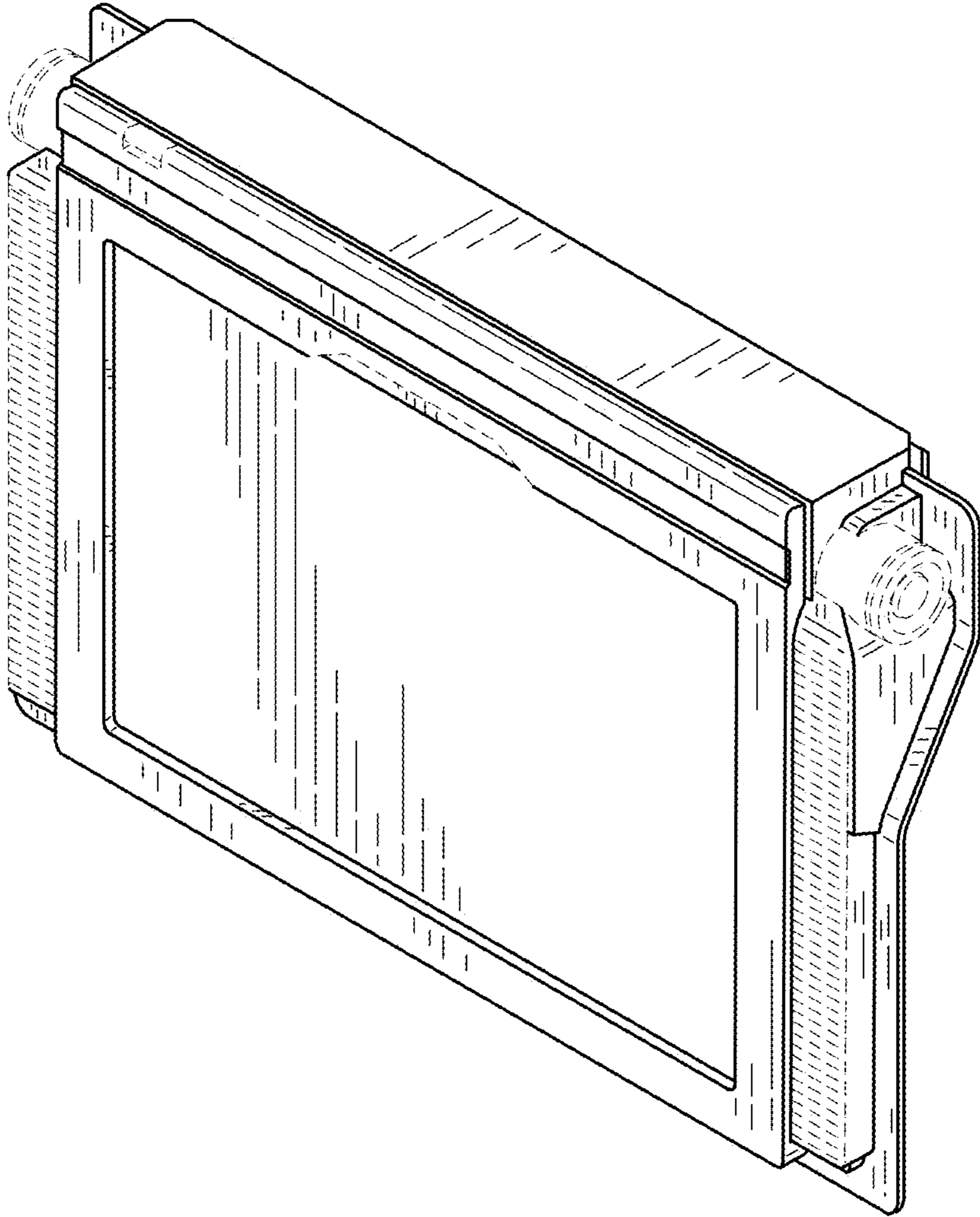


FIG.1

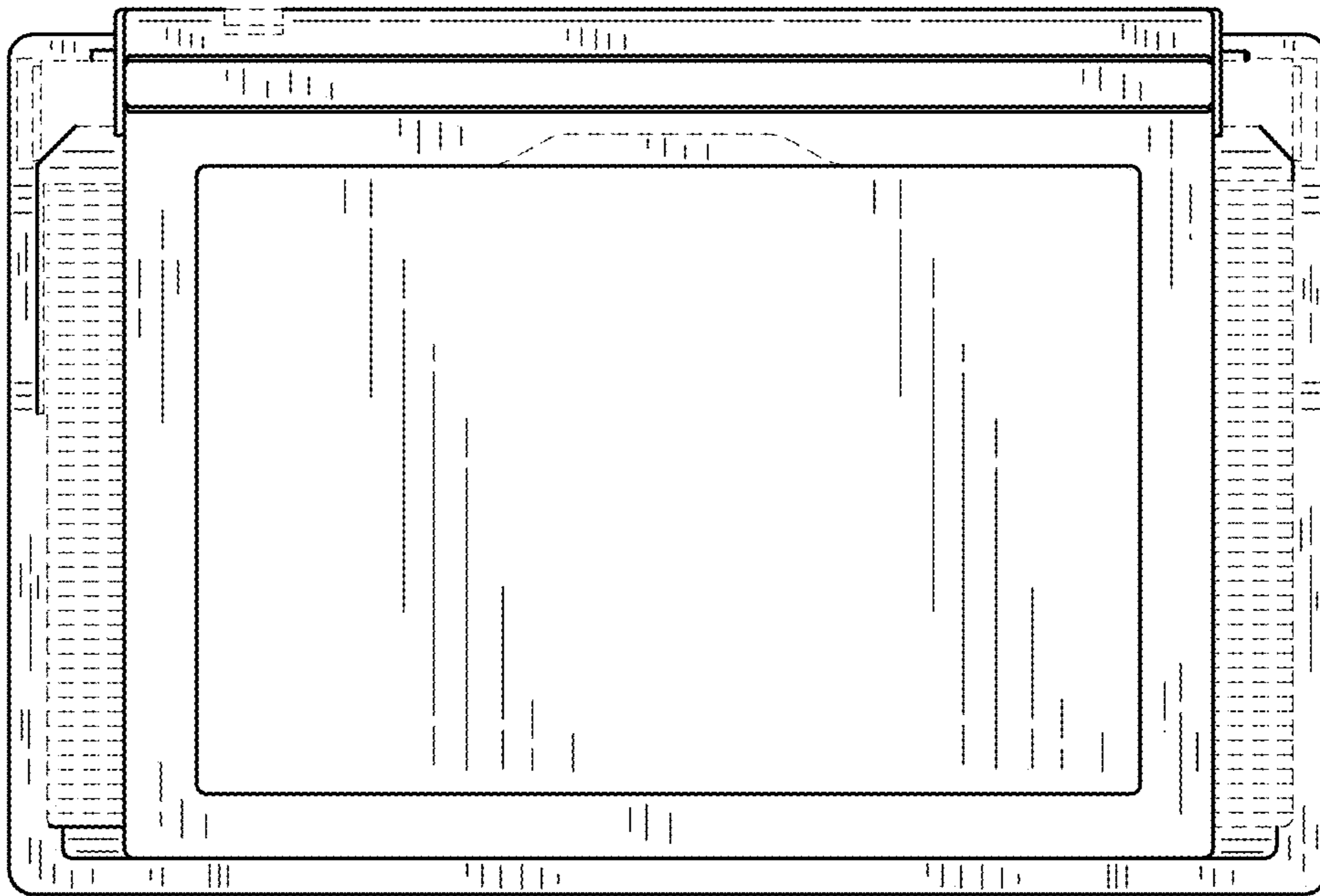


FIG. 2

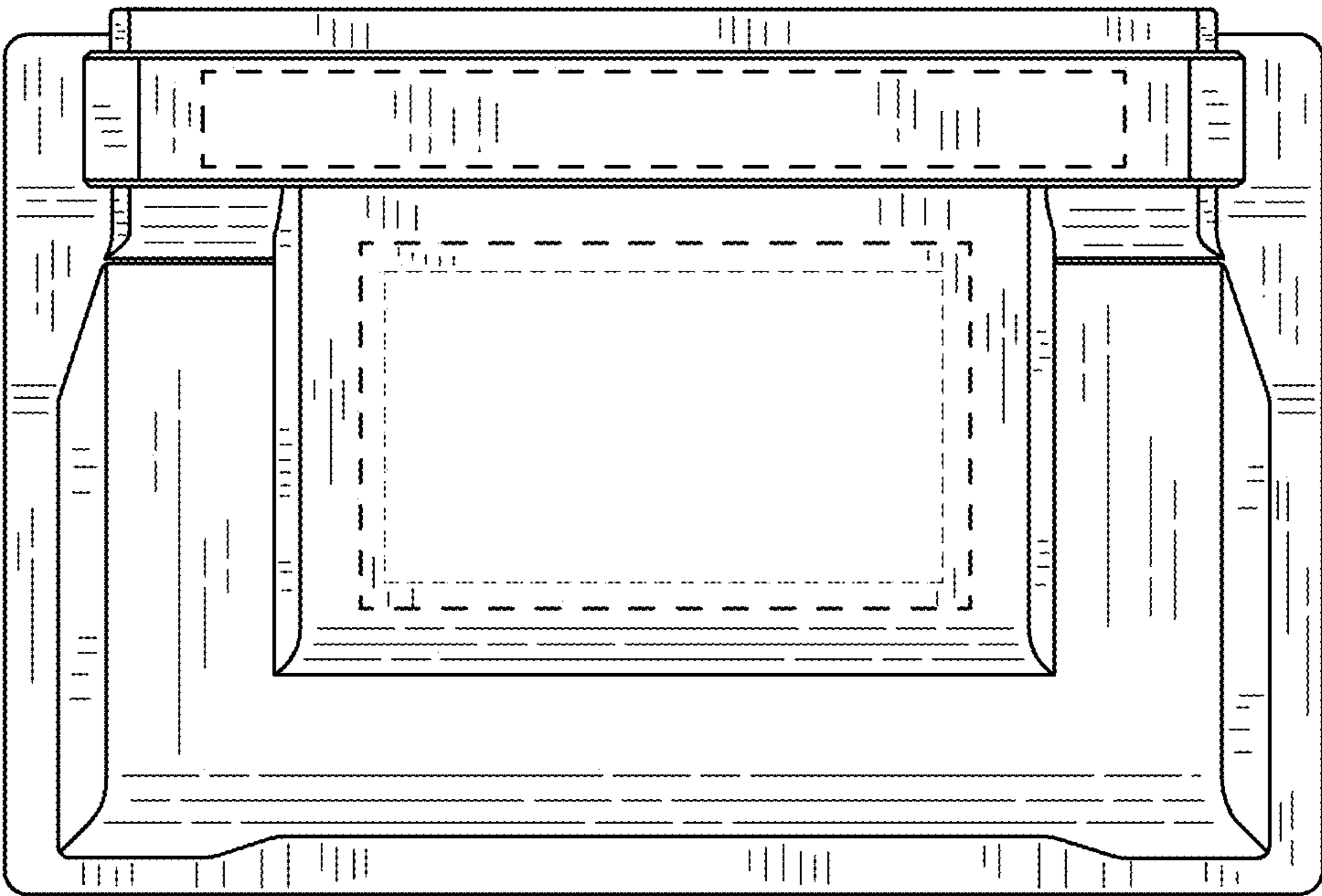


FIG. 3

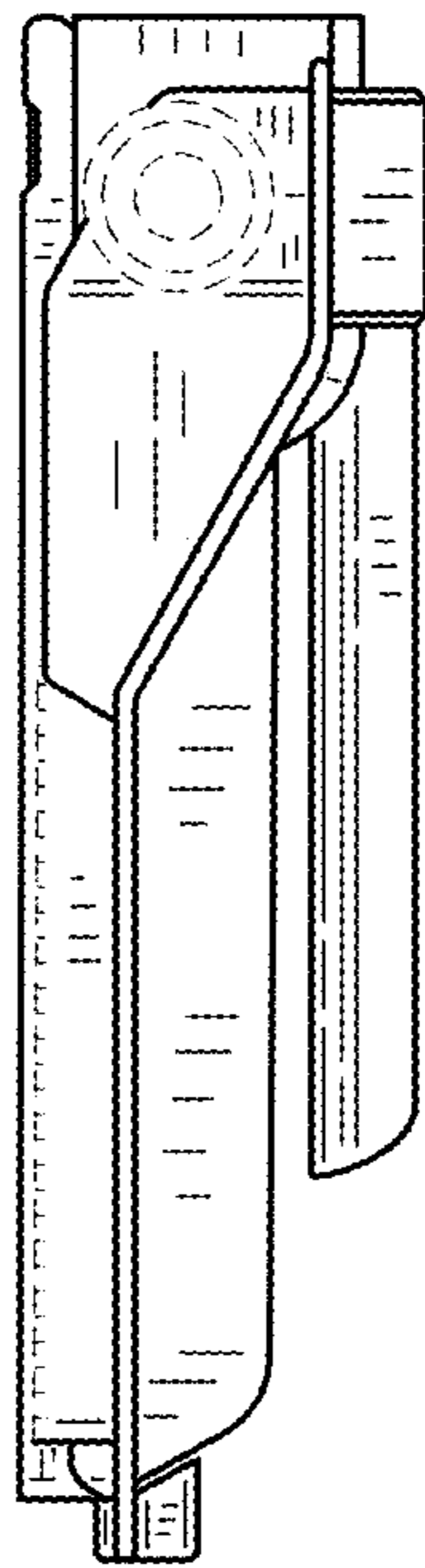


FIG. 4

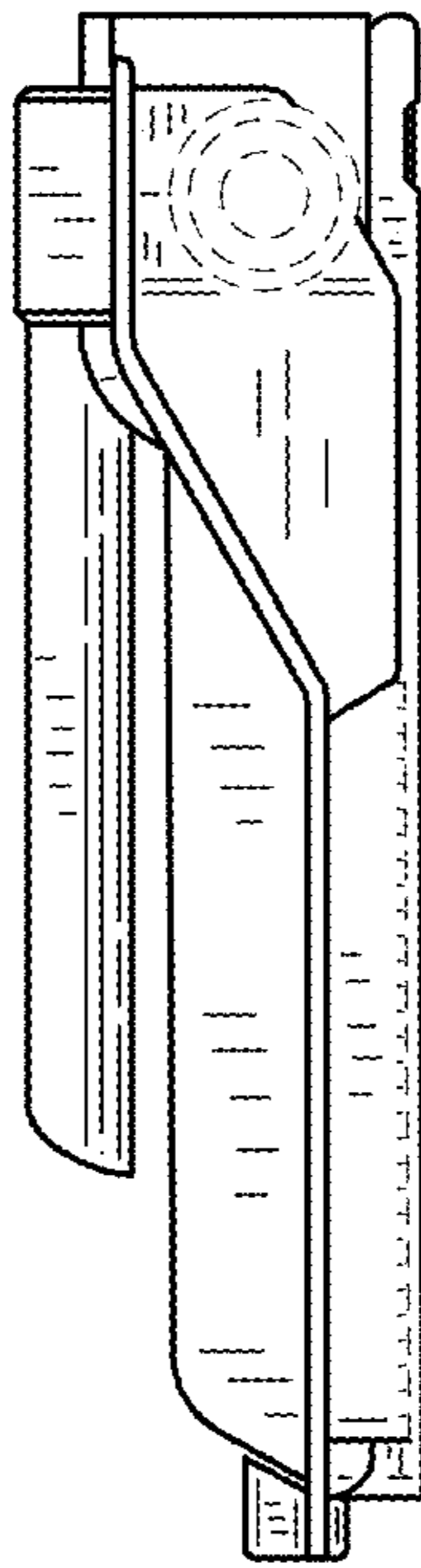


FIG. 5

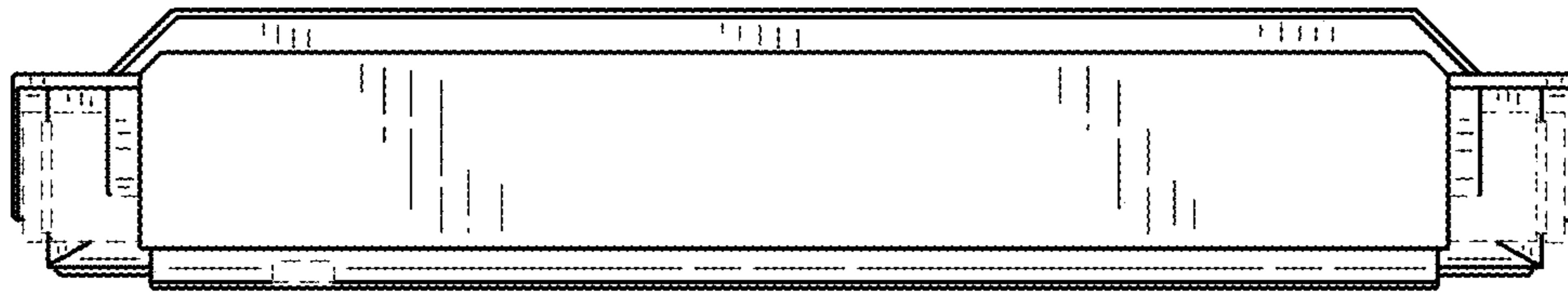


FIG. 6

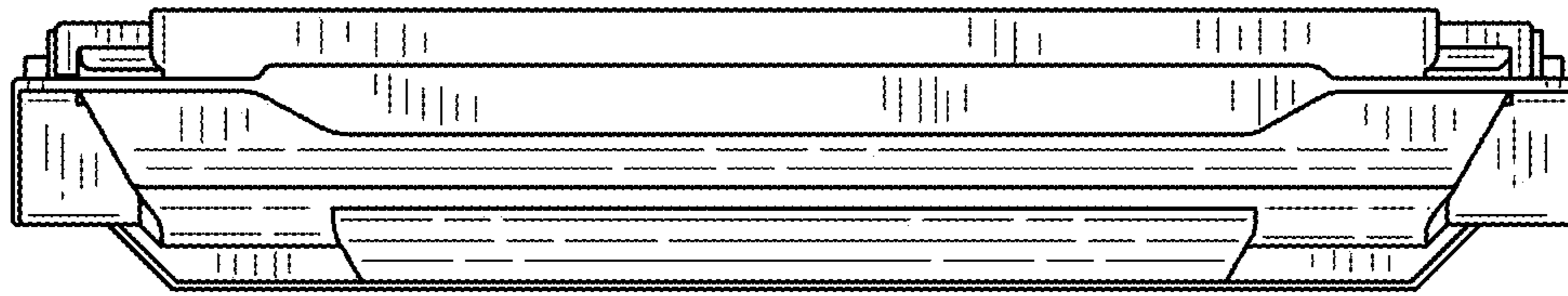


FIG. 7