



US00D912136S

(12) **United States Design Patent**  
**Kuntz**

(10) **Patent No.:** **US D912,136 S**  
(45) **Date of Patent:** **\*\* Mar. 2, 2021**

(54) **FOLDABLE PERFORATED GREETING CARD**

(71) Applicant: **Bill Kuntz**, Boulder, CO (US)

(72) Inventor: **Bill Kuntz**, Boulder, CO (US)

(\*\*) Term: **15 Years**

(21) Appl. No.: **29/688,192**

(22) Filed: **Apr. 18, 2019**

(51) **LOC (13) Cl.** ..... **19-01**

(52) **U.S. Cl.**  
USPC ..... **D19/1**

(58) **Field of Classification Search**

USPC ..... D19/1-12; 40/124.01-124.15, 672, 661,  
40/726, 776, 617, 633; 229/72, 92, 92.1,  
229/300-303; 283/72, 74-75, 103-106;  
D20/10, 22, 42, 11; D14/435-437  
CPC .... B42D 15/00; B42D 15/022; B42D 15/045;  
B42D 15/027; B42D 15/042; B42D  
25/00; B42D 25/20; B42D 25/23; B42D  
25/26; B42D 25/30; B42D 25/285; B42D  
2033/00; B42D 2033/02; B42D 2033/04;  
B42D 2033/08; B42D 2033/10; G09F  
3/02; G09F 2003/0201

See application file for complete search history.

(56) **References Cited**

U.S. PATENT DOCUMENTS

6,978,562 B2 \* 12/2005 Frenkel ..... B42D 15/042  
206/232

8,899,413 B2 \* 12/2014 Pruett ..... B65D 73/0078  
206/232  
9,227,775 B2 \* 1/2016 Boyer ..... B65D 5/38  
9,524,658 B1 \* 12/2016 Wise ..... B42D 15/042

\* cited by examiner

*Primary Examiner* — Abraham Bahta

(74) *Attorney, Agent, or Firm* — Will Hunziker

(57) **CLAIM**

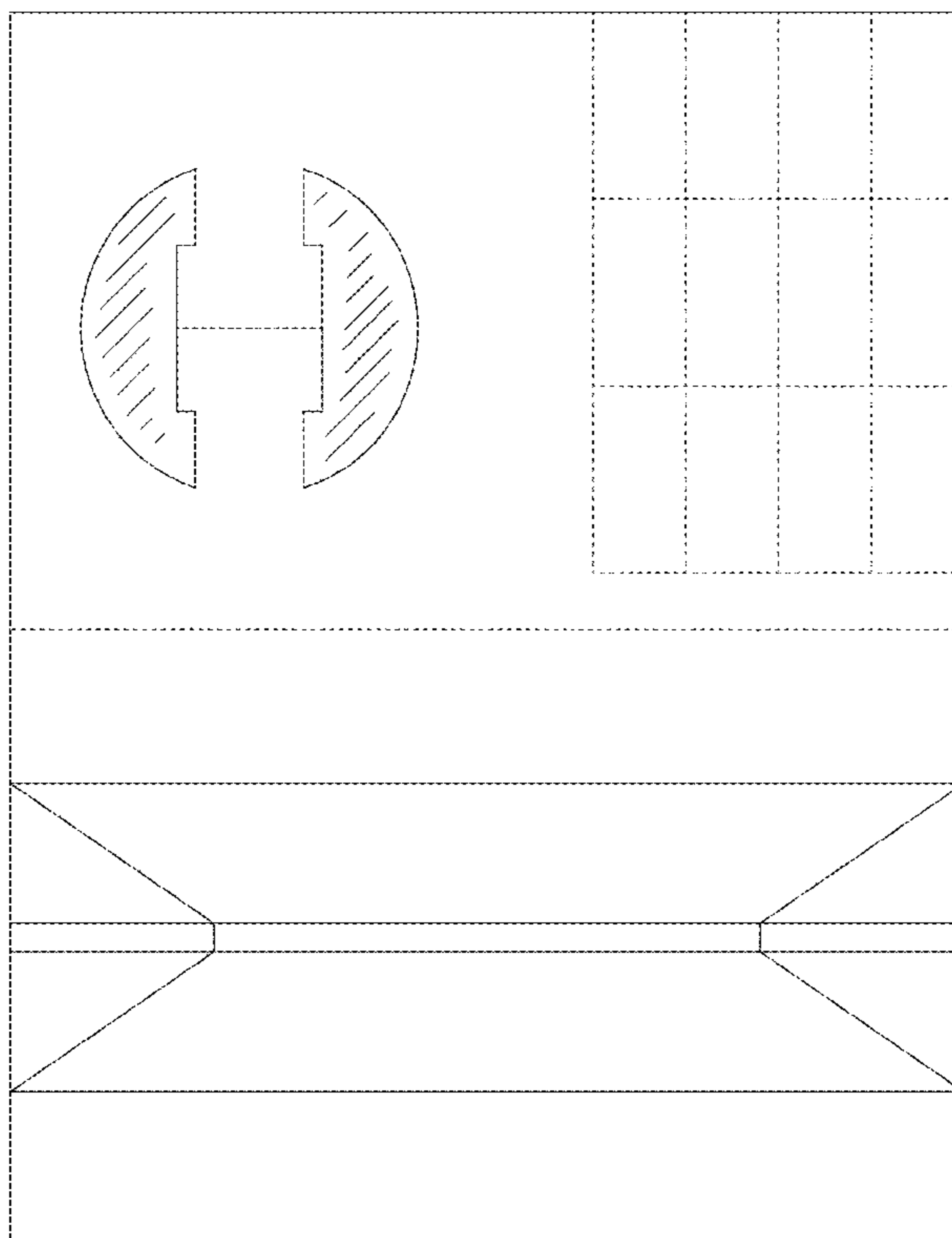
The ornamental design for a foldable perforated greeting card, as shown and described.

**DESCRIPTION**

FIG. 1 is a front view of the foldable perforated greeting card;  
FIG. 2 Is a back view thereof;  
FIG. 3 Is a left side view, the right side view being a mirror image thereof; and,  
FIG. 4 Is a top view, the bottom view being a mirror image thereof.

The solid lines below the horizontal broken line are pre-folded creases and the diagonal hash marks indicate where the greeting card has been cut out in two semi-circular regions. The broken line showing of portions of the greeting card is included for the purpose of illustrating perforations and forms part of the claimed design.

**1 Claim, 3 Drawing Sheets**



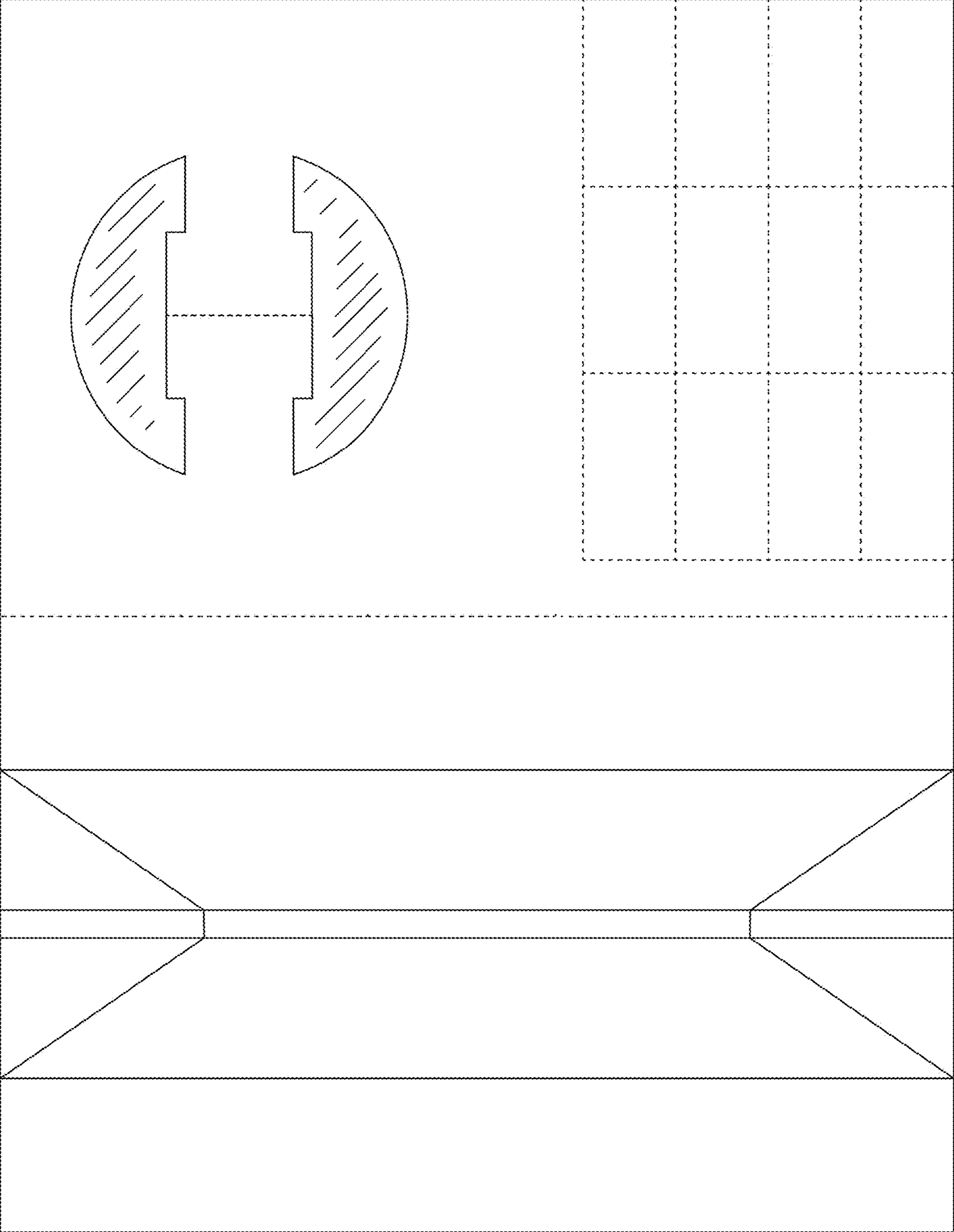


Fig. 1

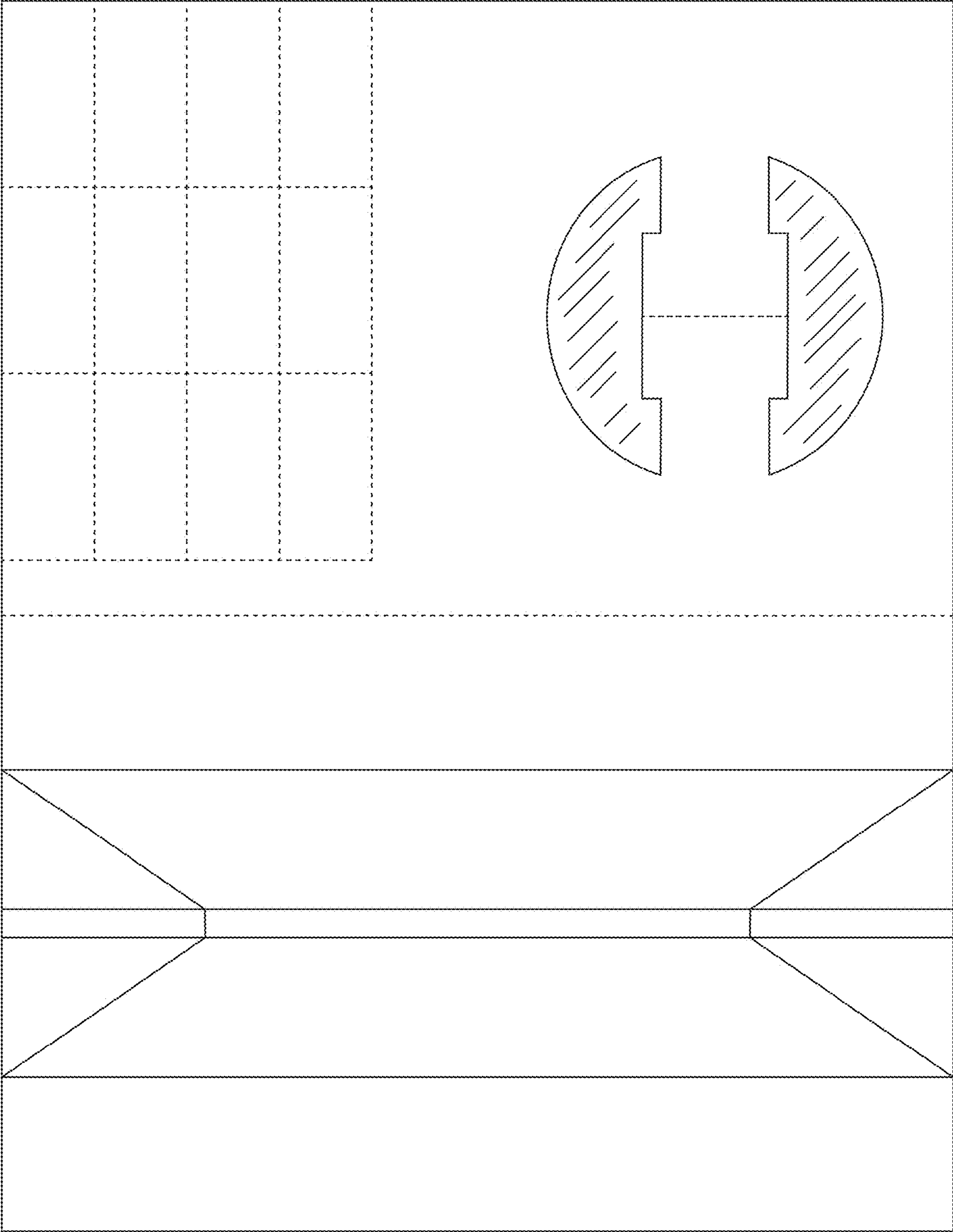


Fig. 2

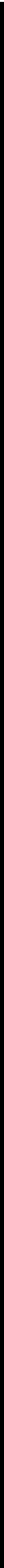


Fig. 3

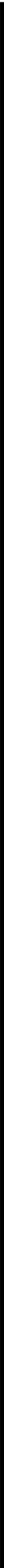


Fig. 4