



US00D912134S

(12) **United States Design Patent**
Takeuchi

(10) **Patent No.:** **US D912,134 S**
(45) **Date of Patent:** **** Mar. 2, 2021**

- (54) **PRINTER**
- (71) Applicant: **CANON KABUSHIKI KAISHA**,
Tokyo (JP)
- (72) Inventor: **Airi Takeuchi**, Yokohama (JP)
- (73) Assignee: **Canon Kabushiki Kaisha**, Tokyo (JP)
- (**) Term: **15 Years**
- (21) Appl. No.: **29/747,751**
- (22) Filed: **Aug. 25, 2020**

D630,679 S	1/2011	Yoshioka	
8,038,145 B2	10/2011	Hirabayashi	
D675,673 S	2/2013	Sato	
D678,403 S	3/2013	Seki	
D722,339 S *	2/2015	Nakagawa	D18/55
D723,616 S *	3/2015	Nakagawa	D18/55
D752,139 S	3/2016	Seki	
D761,903 S	7/2016	Matsumoto	
D805,578 S *	12/2017	Mita	D18/55
D807,427 S	1/2018	Tashima	
D809,592 S	2/2018	Tashima	
D814,561 S *	4/2018	Huang	D18/55
D815,196 S *	4/2018	Tanaka	D18/50
D818,528 S	5/2018	Tashima	
D818,534 S *	5/2018	Mita	D18/55

(Continued)

Related U.S. Application Data

- (62) Division of application No. 35/507,071, filed on Jan. 16, 2019 (U.S. filing date under 35 U.S.C. 384), and having an international filing date of Jan. 16, 2019.

Foreign Application Priority Data

- Jul. 20, 2018 (JP) 2018-015921
- (51) **LOC (13) Cl.** **18-02**
- (52) **U.S. Cl.**
USPC **D18/54**
- (58) **Field of Classification Search**
USPC D18/50, 53, 54, 55; D14/420, 424, 425
CPC G06K 15/12; G06K 15/14; B41J 11/00;
G03G 15/00; G03G 15/0142; H04N
1/00129; H04N 1/00204; H04N 1/00278
See application file for complete search history.

References Cited

U.S. PATENT DOCUMENTS

- D425,551 S 5/2000 Shiozaki
- D483,401 S 12/2003 LaBarbera
- D501,503 S * 2/2005 Leong D18/55
- D552,169 S 10/2007 Egami
- D558,823 S * 1/2008 Alfonso D18/55

OTHER PUBLICATIONS

Screenshot: Canon ImageCLASS MF236n—multifunction printer—
B/W. Undated; one page. Found online at Jul. 10, 2020 <https://nn.cdw.conn/product/canon-innageclass-nnf236n-multifunction-printer-b-w/4315647> (Year: 2020).

(Continued)

Primary Examiner — Robert M. Spear
(74) *Attorney, Agent, or Firm* — Venable LLP

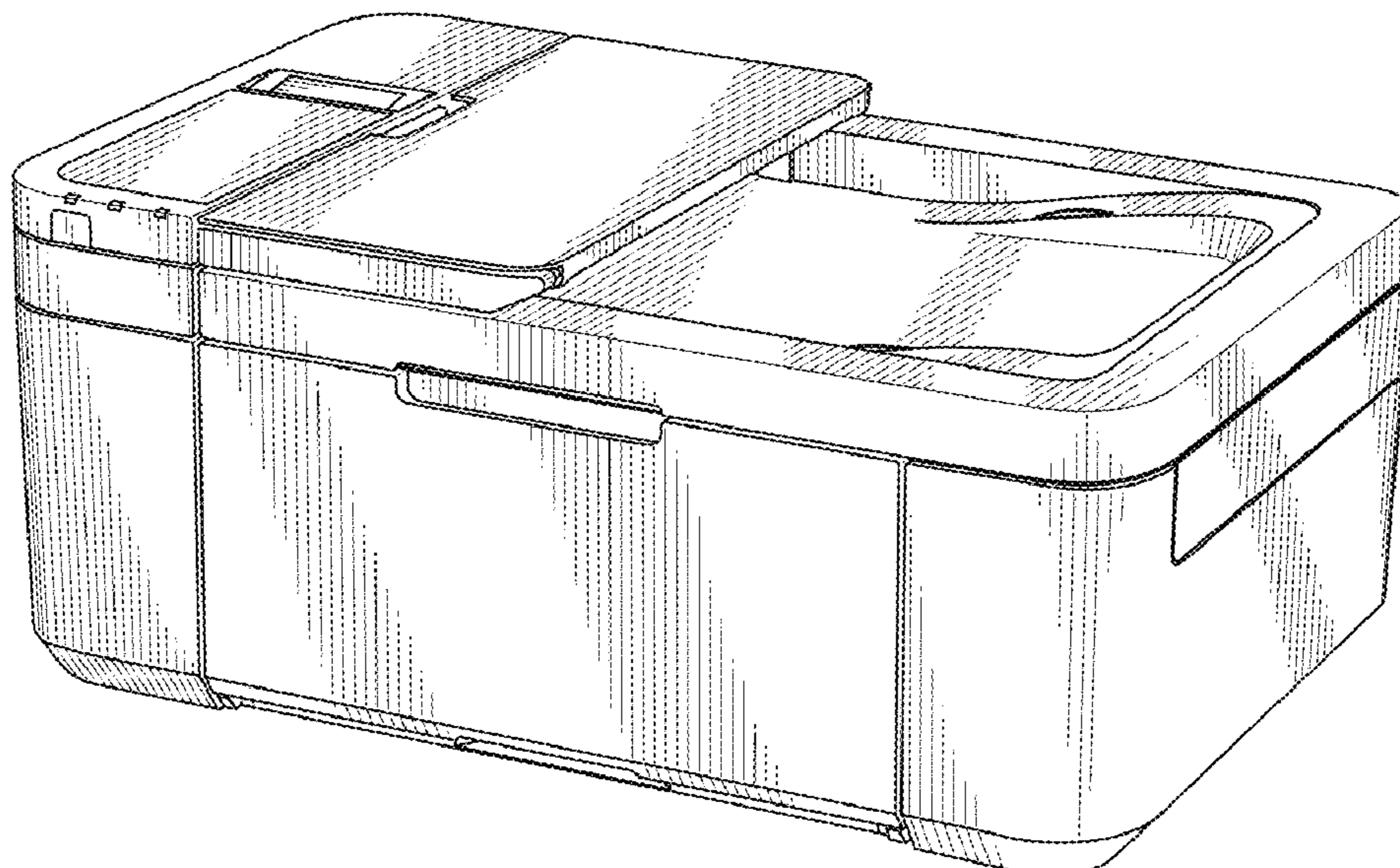
(57) **CLAIM**

The ornamental design for a printer, as shown and described.

DESCRIPTION

Printer
FIG. 1: Front
FIG. 2: Back
FIG. 3: Top
FIG. 4: Bottom
FIG. 5: Left
FIG. 6: Right; and,
FIG. 7: Perspective.

1 Claim, 7 Drawing Sheets



(56)

References Cited

U.S. PATENT DOCUMENTS

D823,385 S 7/2018 Senshiki
D856,413 S * 8/2019 Tanaka D18/50
D868,149 S * 11/2019 Mita D18/55
D868,150 S * 11/2019 Inada D18/55
D869,552 S 12/2019 Sheng
2015/0146251 A1 5/2015 Ueyanna

OTHER PUBLICATIONS

Two screenshots: Canon Image Class D570 Monochrome Laser Printer with Scanner and Copier—Black. Earliest date Aug. 15, 2017; one page. Found online Jul. 10, 2020 at <https://www.amazon.com/dp/B06XY4B179?th=1> (Year: 2017).

Three Screenshots: Canon imageCLASS D570 1418CO25 USB, Wireless, Network Ready Black & White Laser Print-Scan-Copy Printer. Earliest date May 16, 2017; one page. Found online Jul. 10, 2020 at <https://www.quill.com/> . . . (Year: 2017).

* cited by examiner

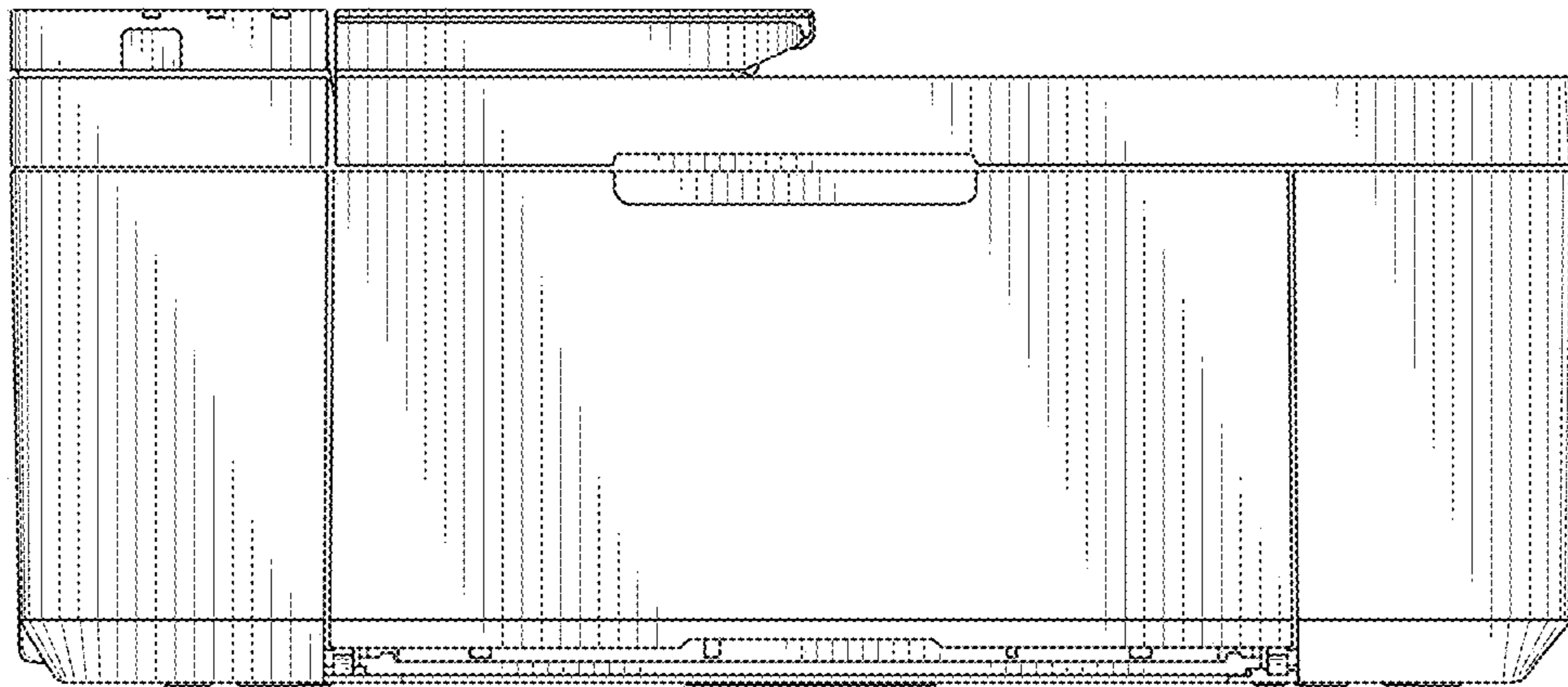


FIG. 1

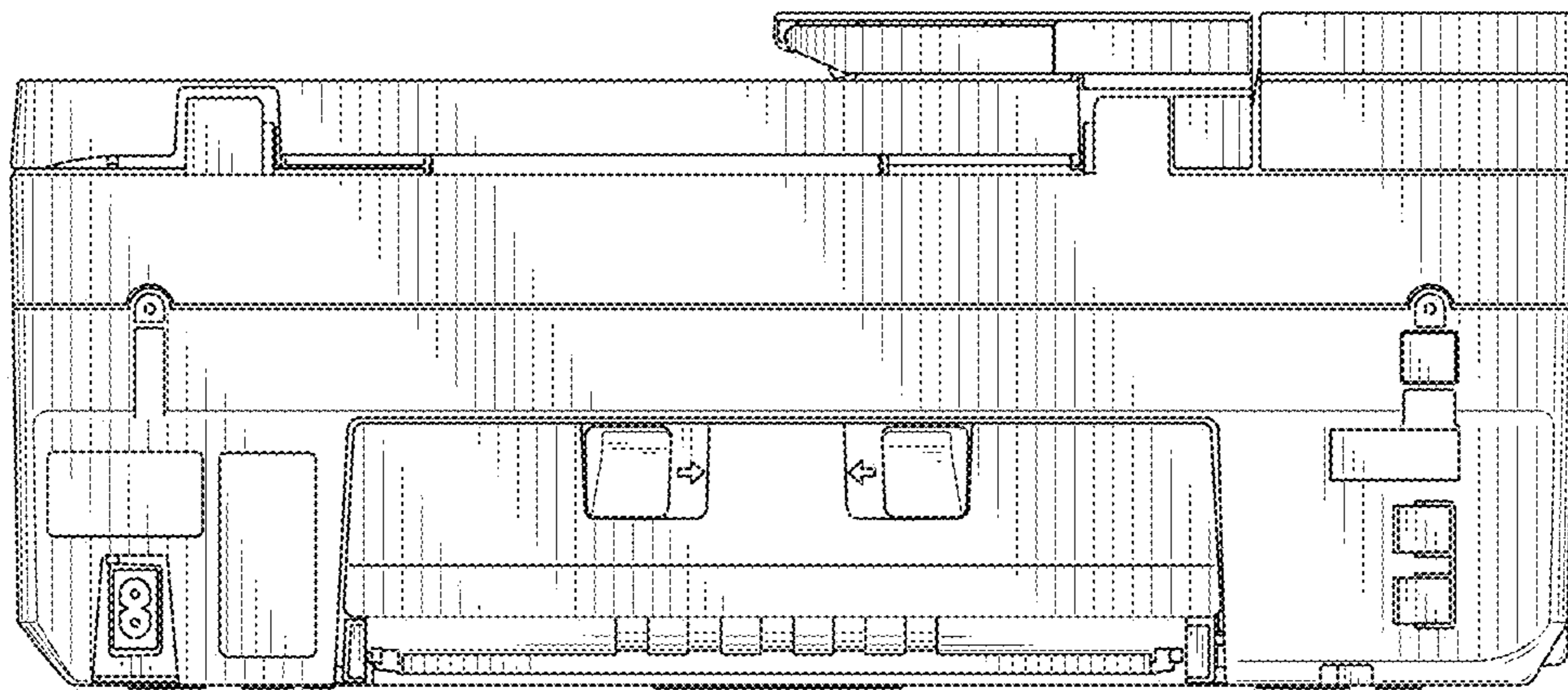


FIG. 2

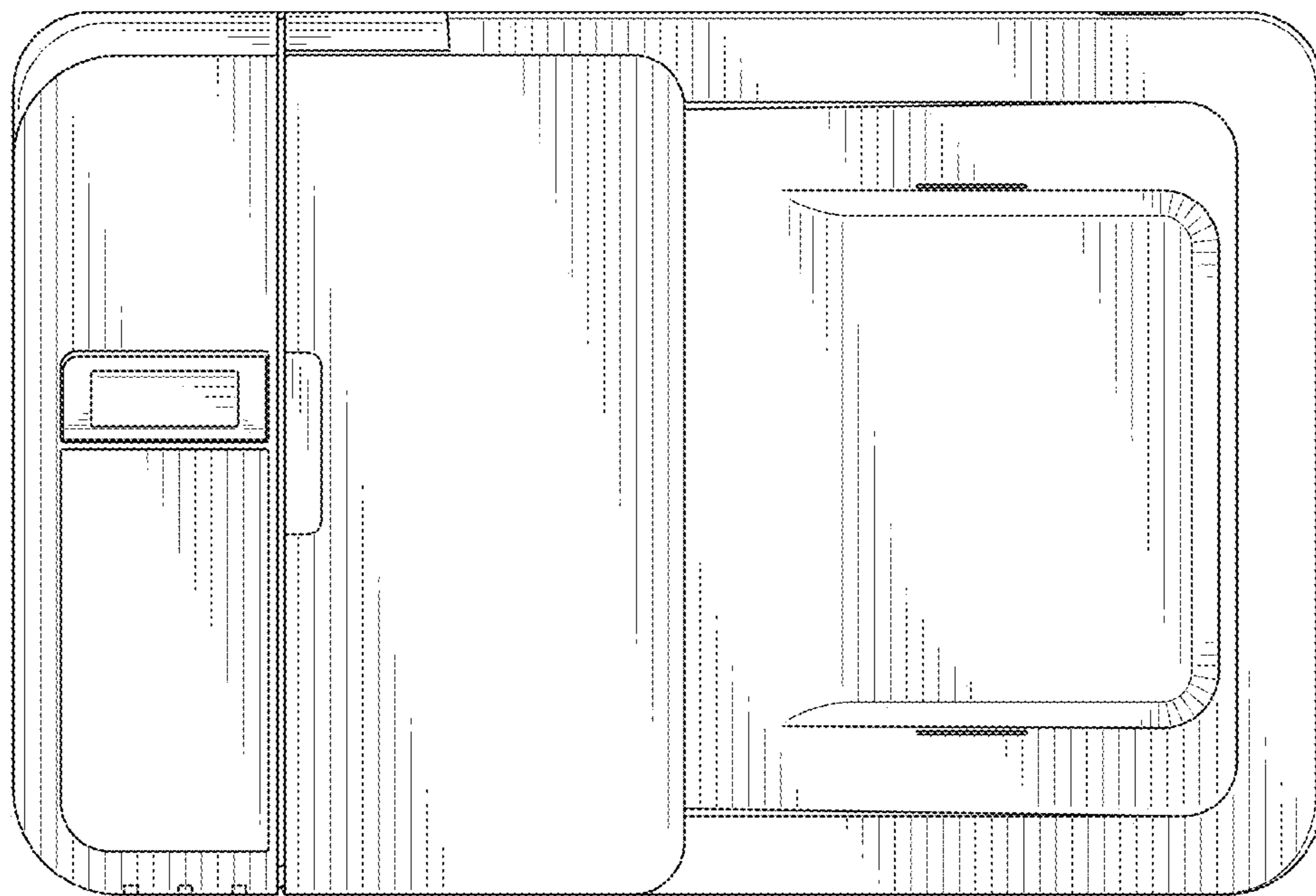


FIG. 3

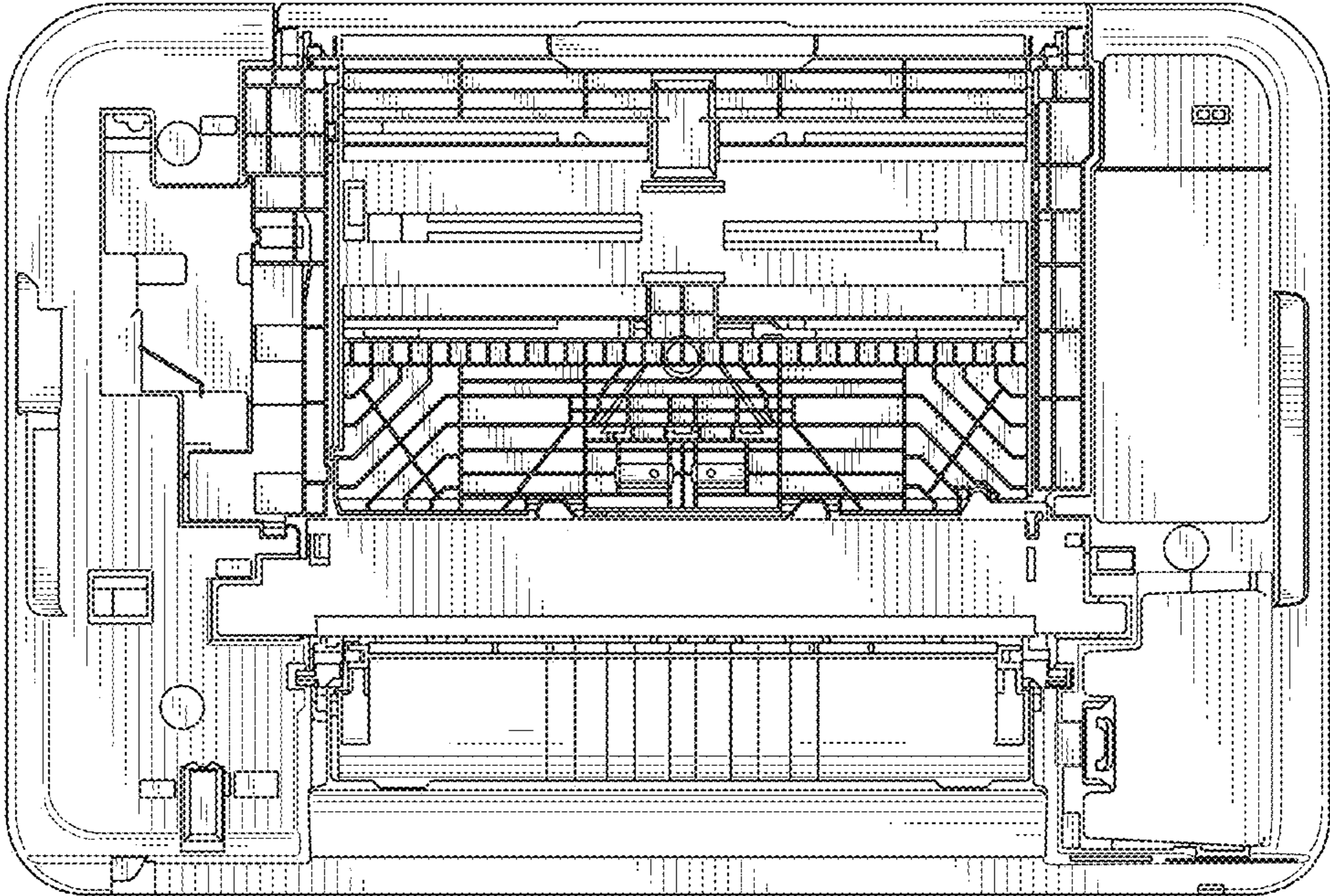


FIG. 4

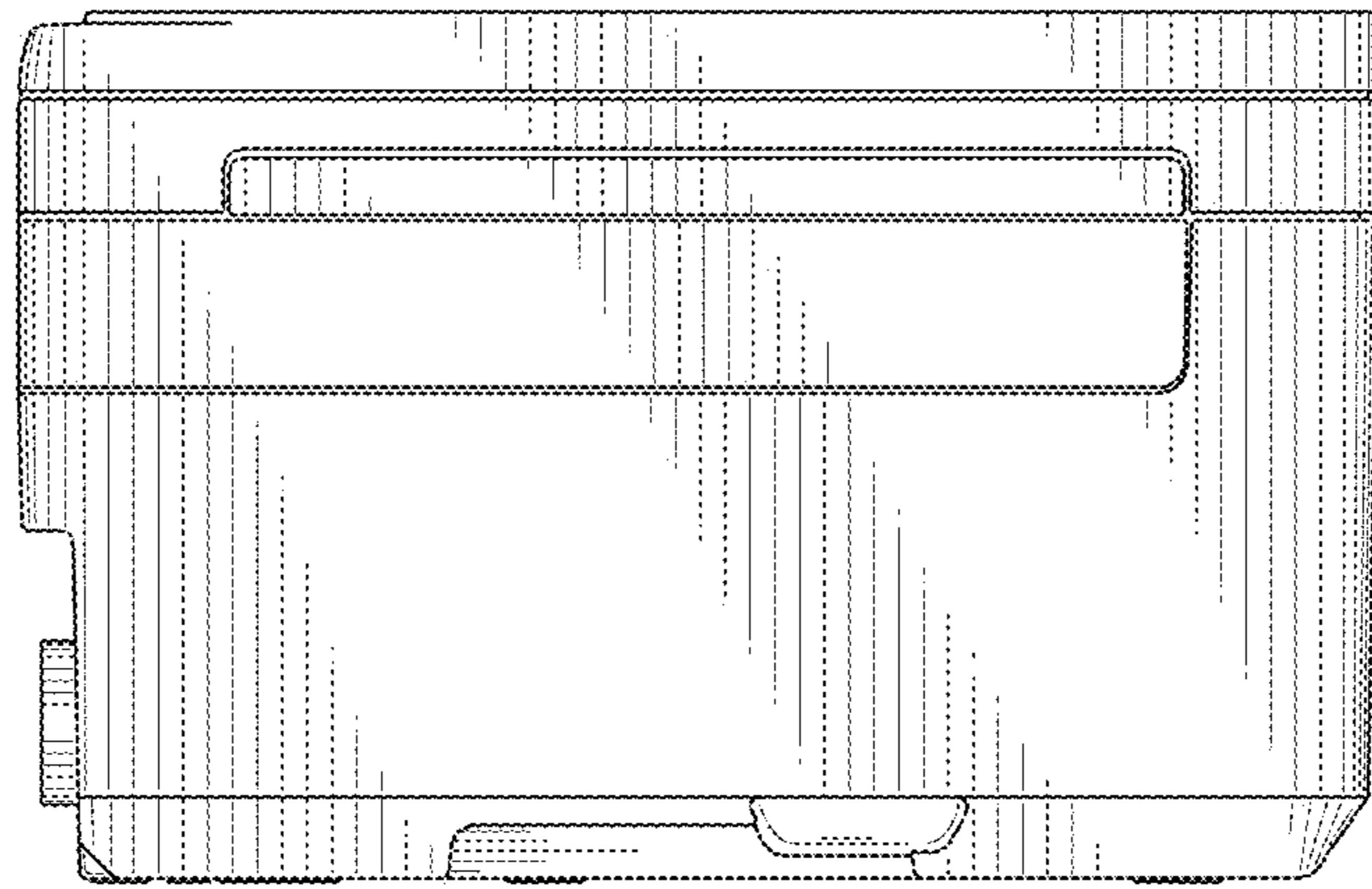


FIG. 5

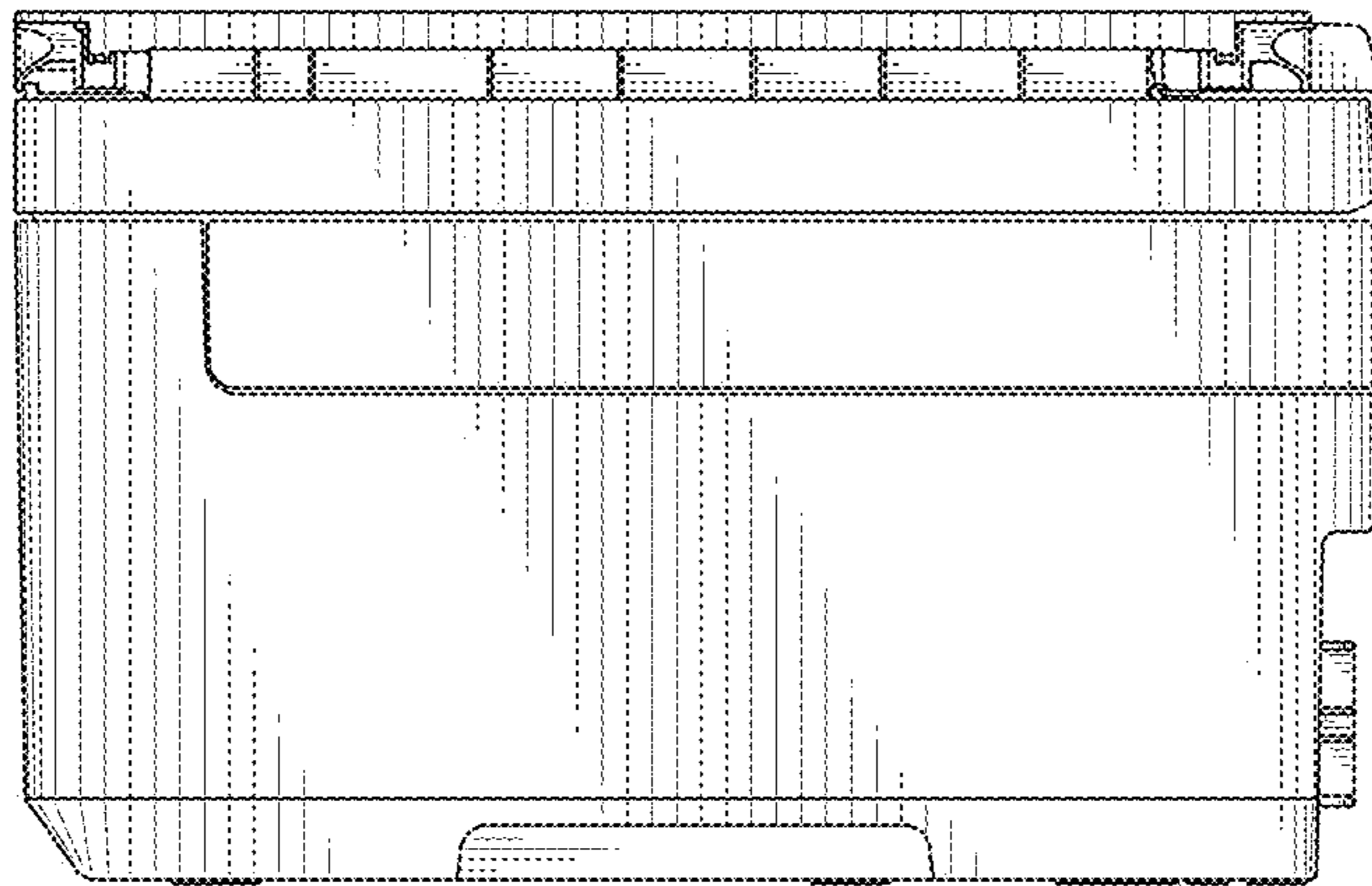


FIG. 6

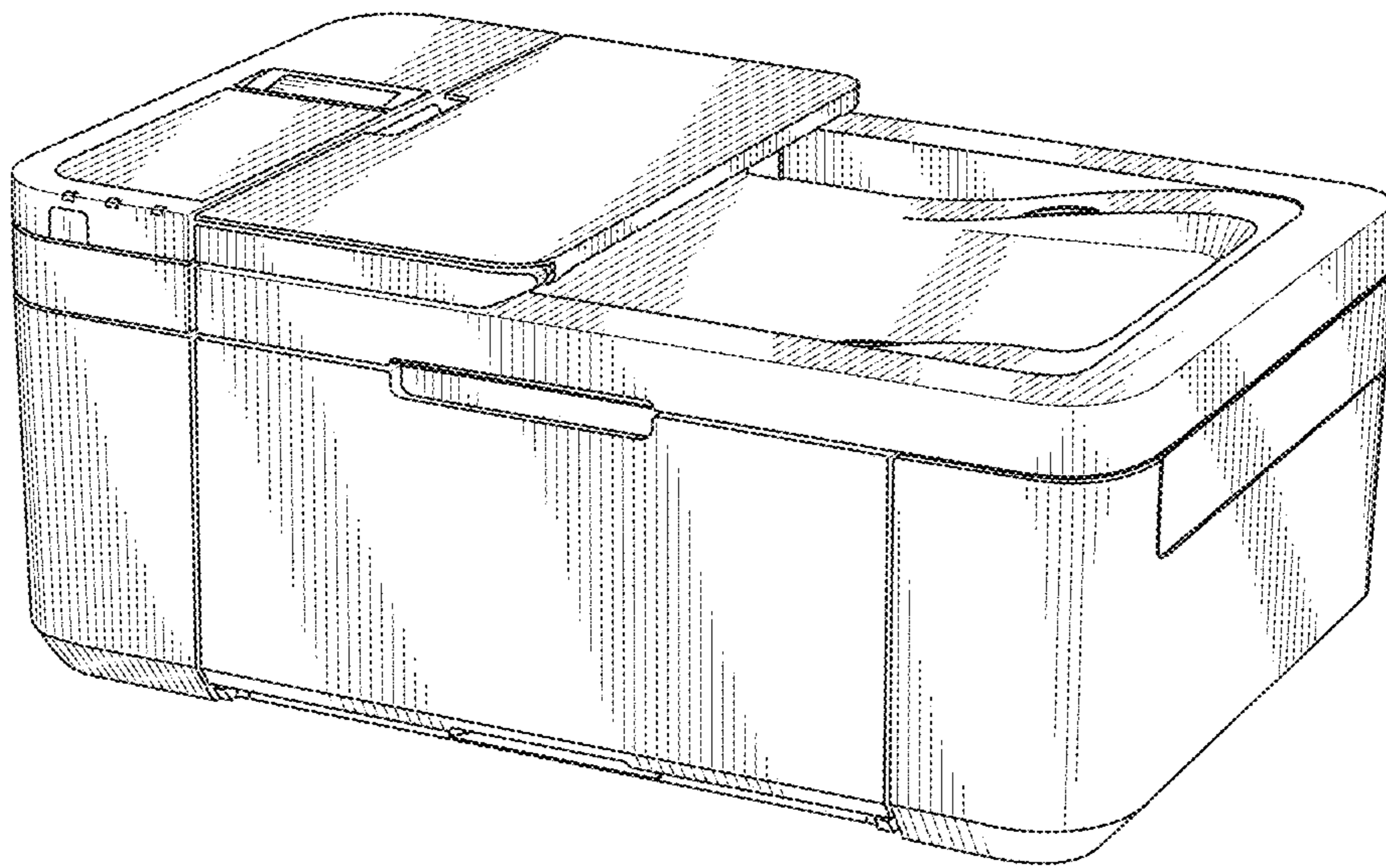


FIG. 7