



US00D912131S

(12) **United States Design Patent** (10) **Patent No.:** **US D912,131 S**
Laza (45) **Date of Patent:** **** Mar. 2, 2021**

(54) **HOLDER FOR POINT OF SALE TERMINALS**

(71) Applicant: **Ergonomic Solutions International Limited**, Epsom (GB)

(72) Inventor: **Constantin Iulian Laza**, Nørresundby (DK)

(**) Term: **15 Years**

(21) Appl. No.: **35/508,581**

(22) Filed: **Jan. 7, 2020**

(80) **Hague Agreement Data**

Int. Filing Date: **Jan. 7, 2020**

Int. Reg. No.: **DM/205764**

Int. Reg. Date: **Jan. 7, 2020**

Int. Reg. Pub. Date: **Feb. 14, 2020**

(51) **LOC (13) Cl.** **18-01**

(52) **U.S. Cl.**

USPC **D18/12; D14/440**

(58) **Field of Classification Search**

USPC D18/4.4, 4.5, 4.6, 11-12.3, 56, 18;
D14/250, 251-253, 178, 238.1, 239, 307,
D14/332, 336, 337, 341, 371, 374-377,
D14/385, 386, 420, 421, 440, 447, 448,
D14/451, 452, 457

CPC G07F 7/08; G07F 7/0873; G07F 7/088;
G07F 7/0886; G07F 7/0893; G07F
7/1016; G07F 7/1033; G07F 19/00; G07G
1/00; G07G 1/12; G07G 1/0018; G07G
1/0027; G06Q 20/20; G06K 7/083; G06K
7/084; G06K 7/109; F16M 11/14; F16M
11/041; F16M 11/08; F16M 11/24

See application file for complete search history.

(56) **References Cited**

U.S. PATENT DOCUMENTS

5,530,234 A * 6/1996 Loh G06F 15/0216
235/10

D381,675 S * 7/1997 Droege D18/4.6

D422,018 S * 3/2000 Brown D18/12
D586,795 S * 2/2009 Richter D14/253
D638,465 S * 5/2011 Goldin D18/4.6
D716,369 S * 10/2014 Park D18/4.6
D716,370 S * 10/2014 Park D18/4.6
D716,371 S * 10/2014 Lee D18/4.6
D729,867 S * 5/2015 Lee D18/4.6
D756,977 S * 5/2016 Schriefer D14/250
D766,247 S * 9/2016 Burmester D14/440
D768,766 S * 10/2016 Demange D18/4.4
D768,767 S * 10/2016 Demange D18/4.4
D791,223 S * 7/2017 Blanc D18/4.6
D798,302 S * 9/2017 Burmester D14/440
D818,525 S * 5/2018 Burmester D18/12
D878,456 S * 3/2020 Frank G07D 3/00
D18/12.1
10,628,637 B2 * 4/2020 Siedow G06K 7/087
10,659,946 B2 * 5/2020 Baldree G08B 21/0286
2015/0201050 A1 * 7/2015 Yang H04B 1/3888
455/575.8

* cited by examiner

Primary Examiner — Bao-Yen T Nguyen

(57) **CLAIM**

The ornamental design for a holder for point-of-sale terminals, as shown and described.

DESCRIPTION

1. Holder for point-of-sale terminals

1.1 : Perspective

1.2 : Bottom

1.3 : Left

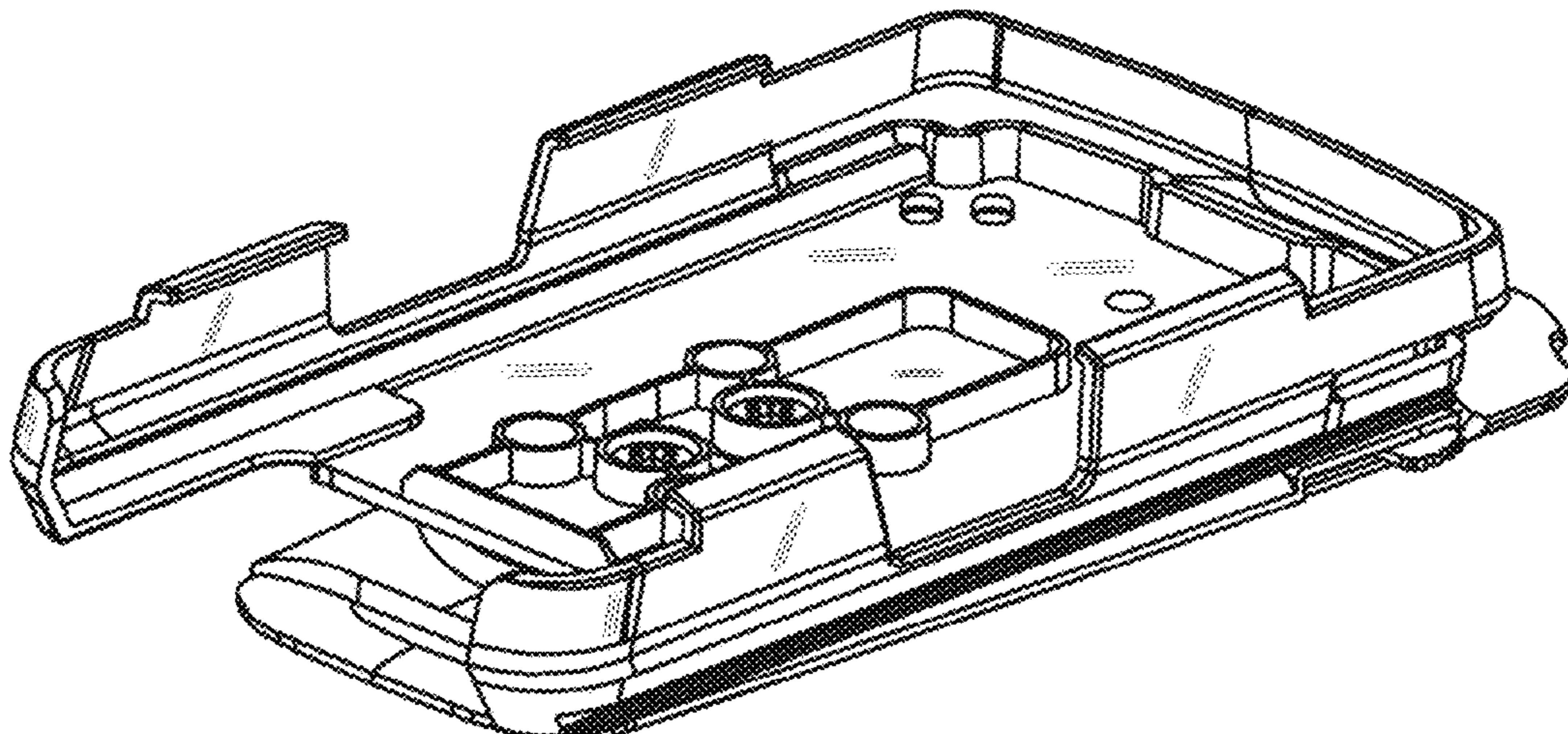
1.4 : Right

1.5 : Front

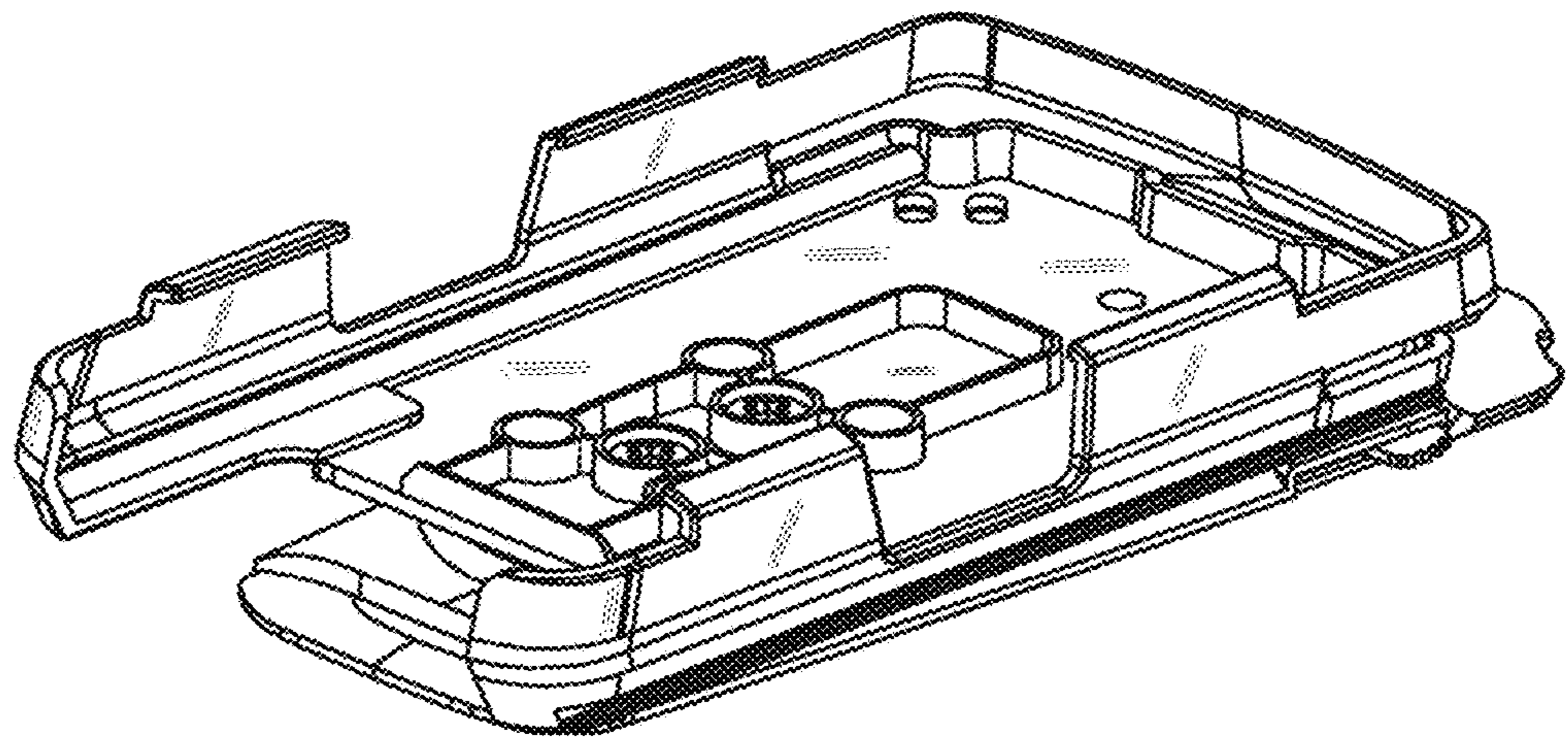
1.6 : Back

1.7 : Top

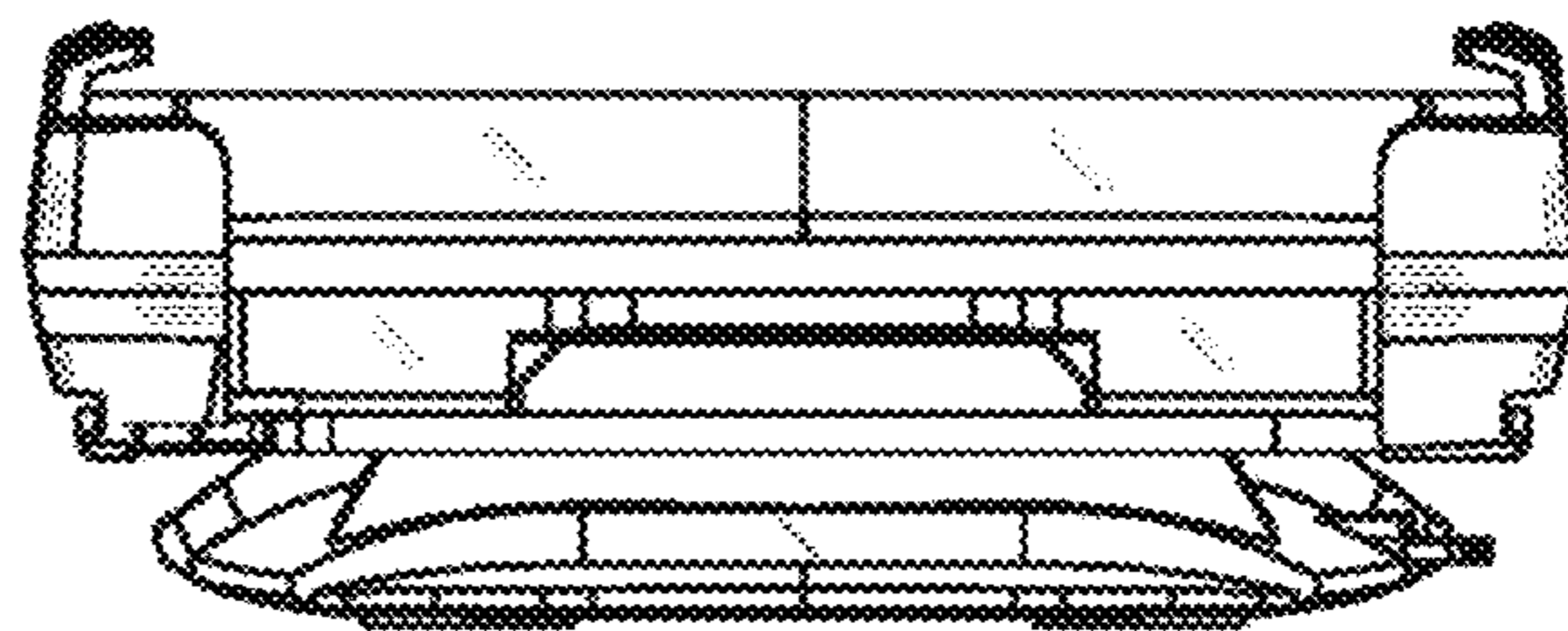
1 Claim, 7 Drawing Sheets



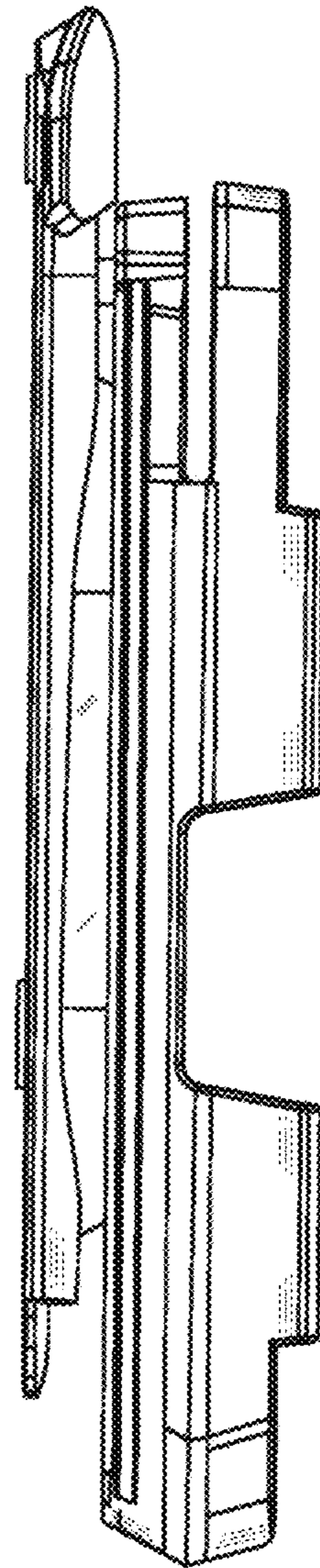
1.1



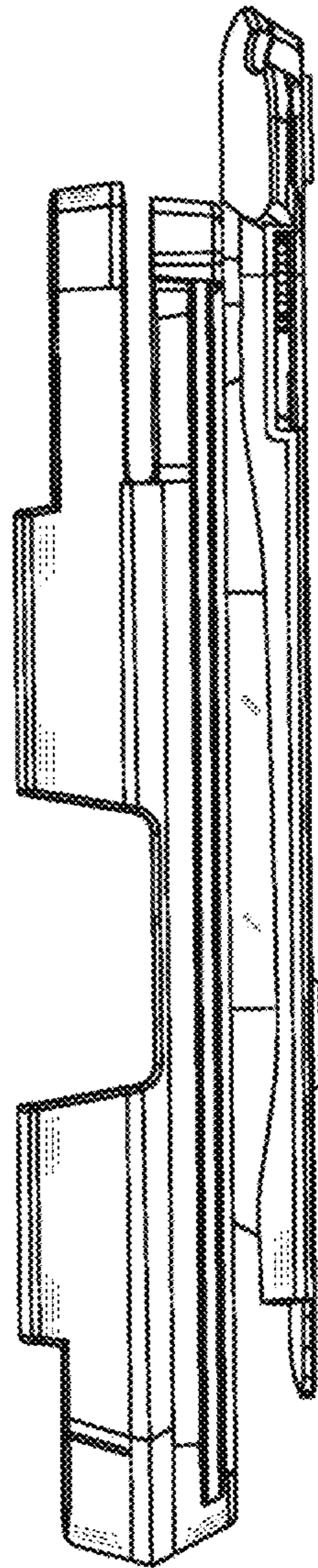
1.2



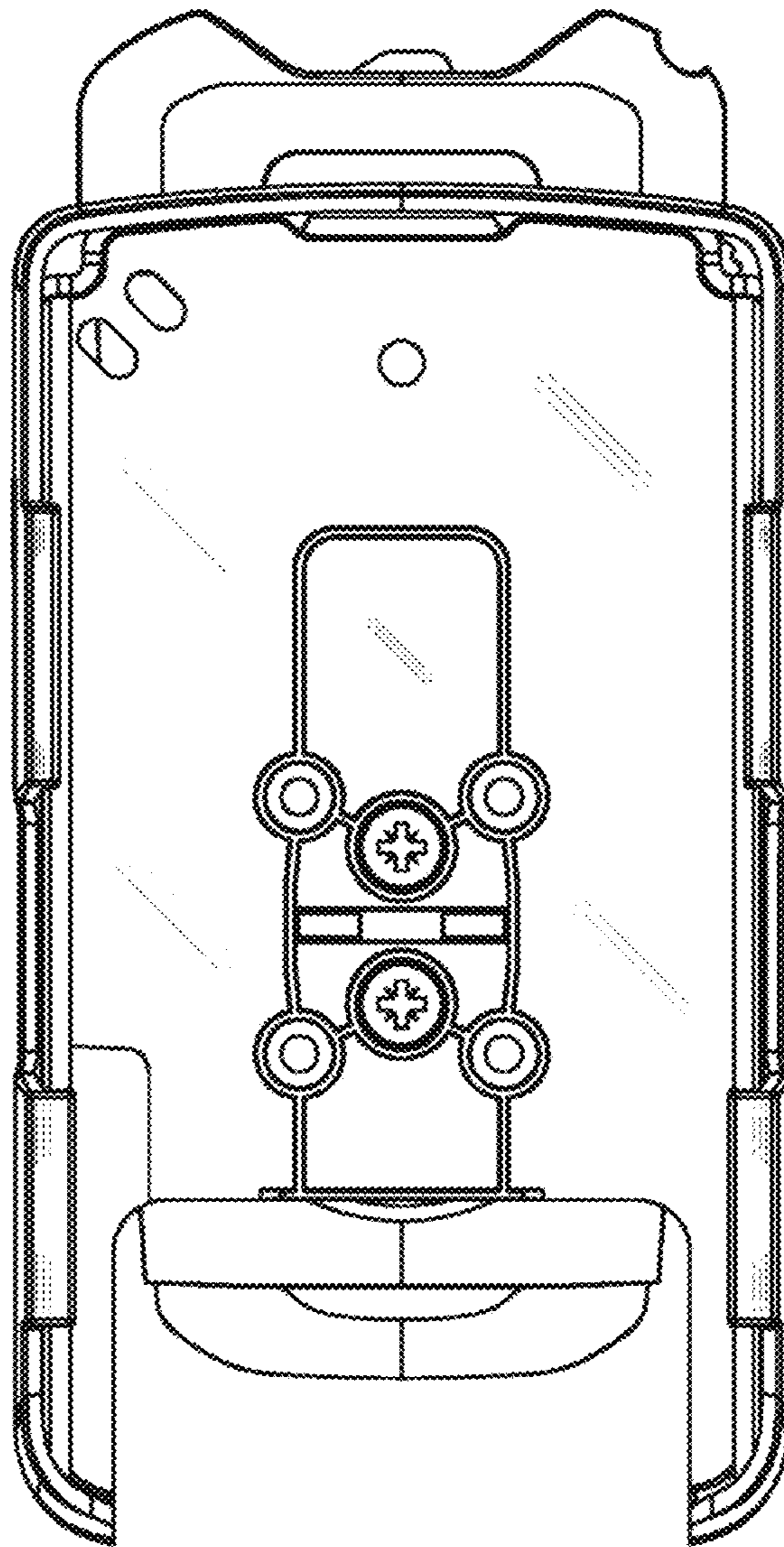
1.3



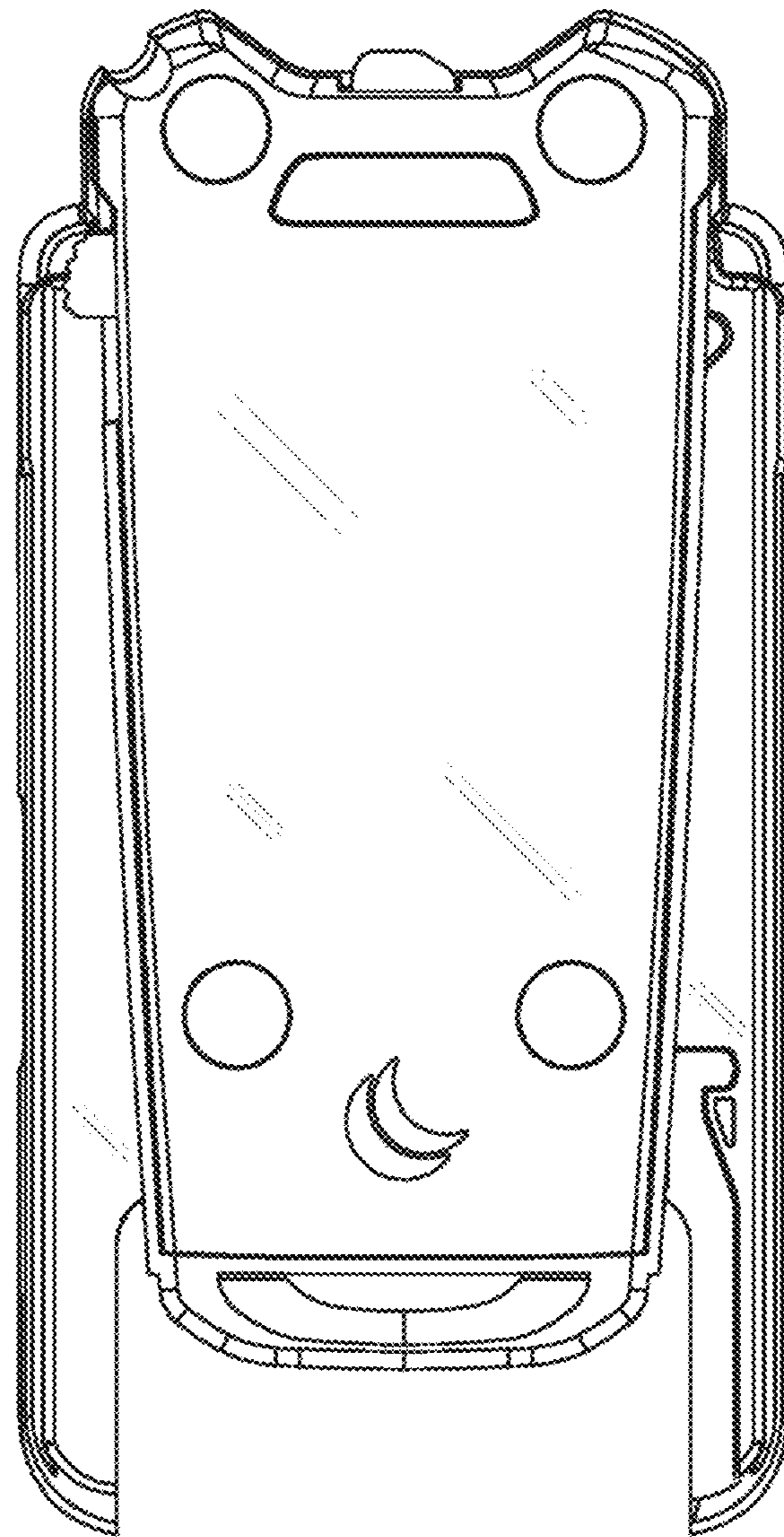
1.4



1.5



1.6



1.7

