



US00D912126S

(12) **United States Design Patent**  
**Yoshimura**

(10) **Patent No.:** **US D912,126 S**  
(45) **Date of Patent:** **\*\* Mar. 2, 2021**

(54) **VIDEO PROJECTOR**  
(71) Applicant: **JVCKENWOOD Corporation,**  
Yokohama (JP)  
(72) Inventor: **Satoshi Yoshimura,** Yokohama (JP)  
(73) Assignee: **JVCKENWOOD Corporation,**  
Yokohama (JP)

D588,620 S \* 3/2009 Kawabe ..... D16/225  
7,850,309 B2 \* 12/2010 Hirouchi ..... G03B 21/145  
353/52  
D668,702 S \* 10/2012 Azuma ..... D16/230  
D671,159 S \* 11/2012 Azuma ..... D16/230  
D806,776 S \* 1/2018 Yoshimura ..... D16/230  
D834,636 S \* 11/2018 Gan ..... D16/230  
D876,524 S \* 2/2020 Yoshimura ..... D16/230  
2009/0051829 A1 \* 2/2009 Nagahata ..... G03B 21/145  
348/789

(\*\*) Term: **15 Years**  
(21) Appl. No.: **29/706,662**  
(22) Filed: **Sep. 23, 2019**

\* cited by examiner  
*Primary Examiner* — Wan Laymon  
(74) *Attorney, Agent, or Firm* — Amin, Turocy & Watson,  
LLP

(30) **Foreign Application Priority Data**  
Jul. 24, 2019 (JP) ..... 2019-016539  
(51) **LOC (13) Cl.** ..... **16-02**  
(52) **U.S. Cl.**  
USPC ..... **D16/230**  
(58) **Field of Classification Search**  
USPC ..... D16/221, 225, 227, 229–231, 234;  
D21/514; 353/115, 119  
CPC ..... G03B 21/145; G03B 21/14; G03B 21/16;  
G03B 21/12; G03B 21/001; G03B  
21/003; G03B 21/00  
See application file for complete search history.

(57) **CLAIM**  
The ornamental design for a video projector, as shown and  
described.

(56) **References Cited**  
U.S. PATENT DOCUMENTS  
D574,876 S \* 8/2008 Yano ..... D16/230  
D588,619 S \* 3/2009 Kawabe ..... D16/225

**DESCRIPTION**  
FIG. 1 is a front perspective view of a video projector;  
FIG. 2 is a rear perspective view thereof;  
FIG. 3 is a front elevation view thereof;  
FIG. 4 is a rear elevation view thereof;  
FIG. 5 is a top plan view thereof;  
FIG. 6 is a bottom plan view thereof;  
FIG. 7 is a right side elevation view thereof; and,  
FIG. 8 is a left side elevation view thereof.  
The broken lines shown in the drawings illustrate portions of  
the video projector that form no part of the claimed design.

**1 Claim, 8 Drawing Sheets**

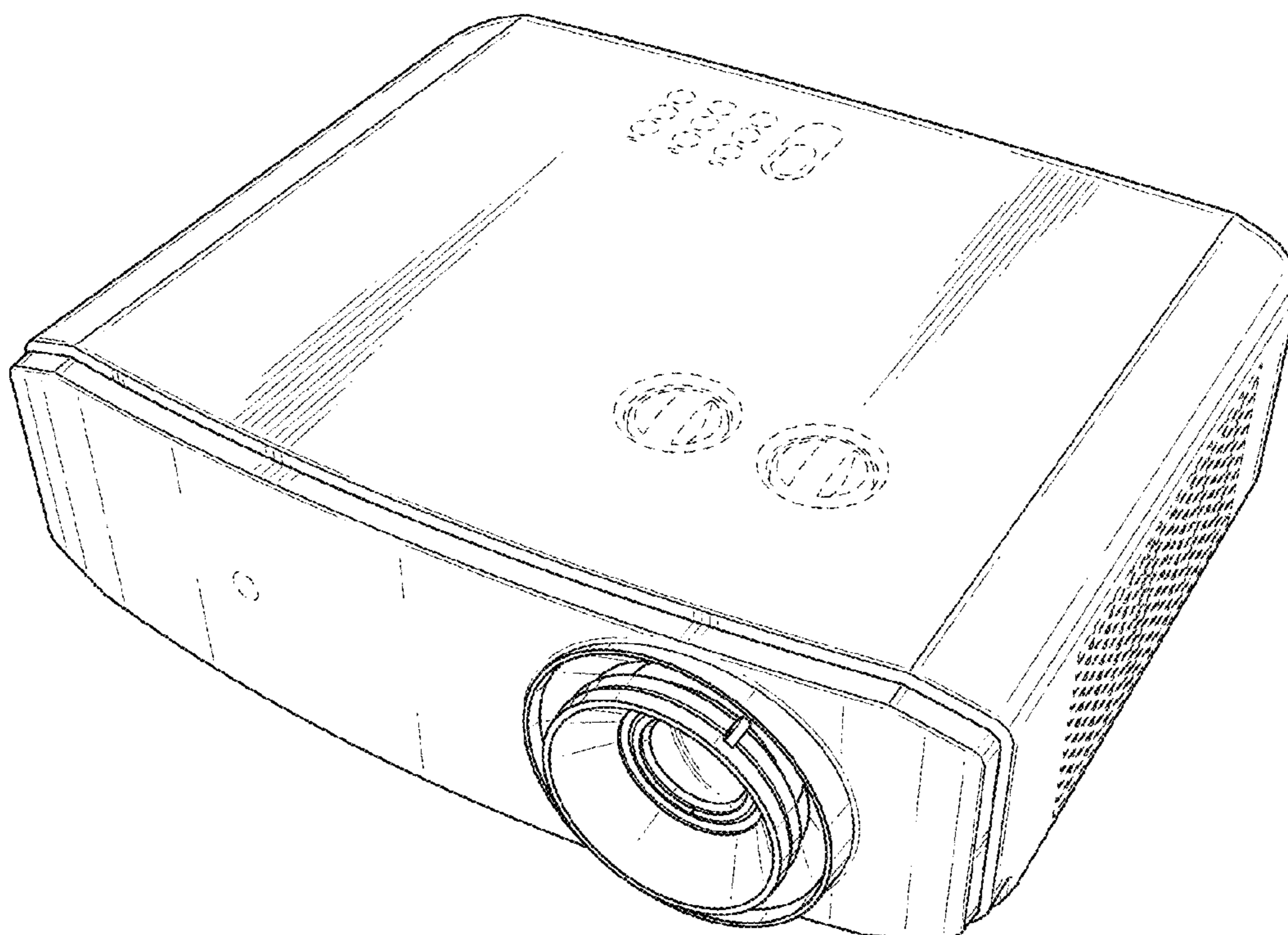


FIG. 1

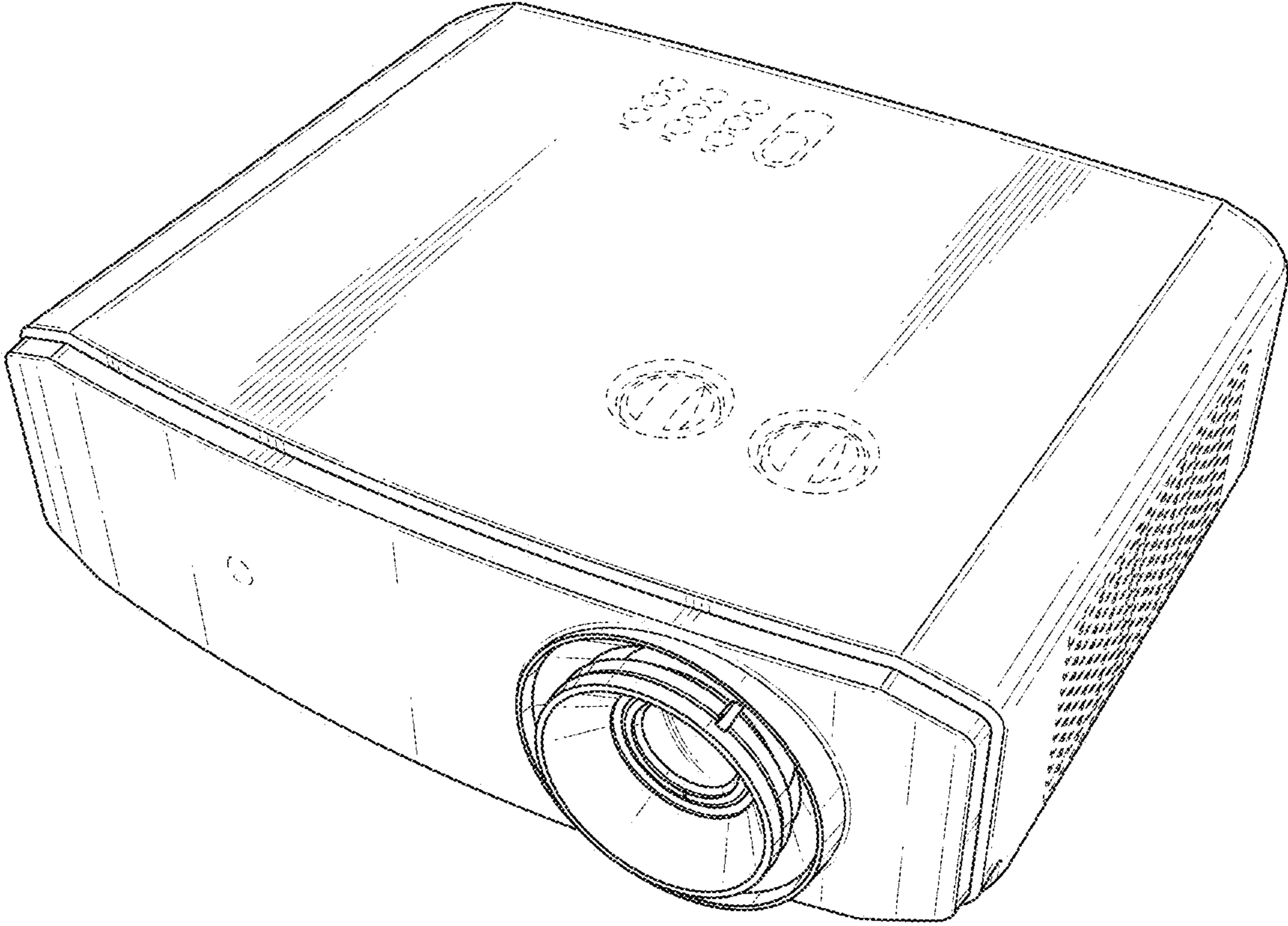


FIG. 2

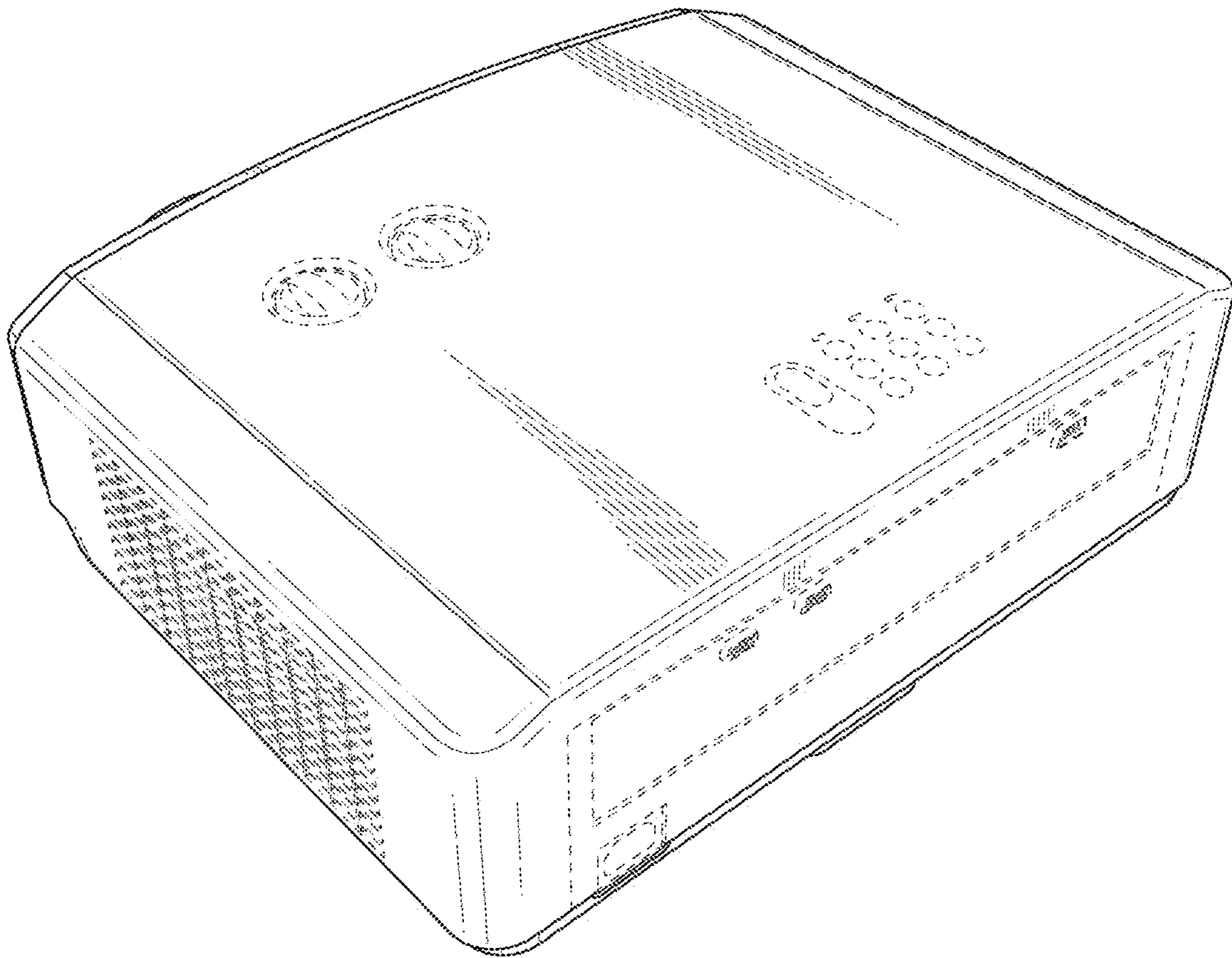


FIG. 3

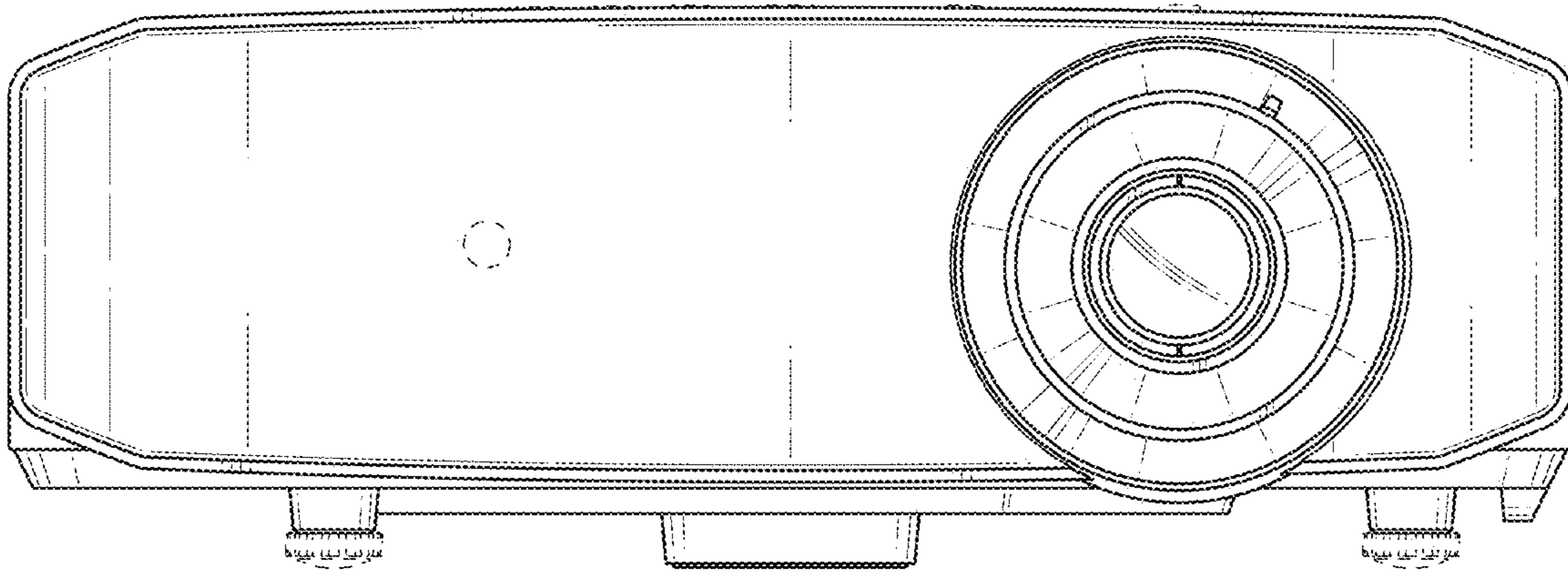


FIG. 4

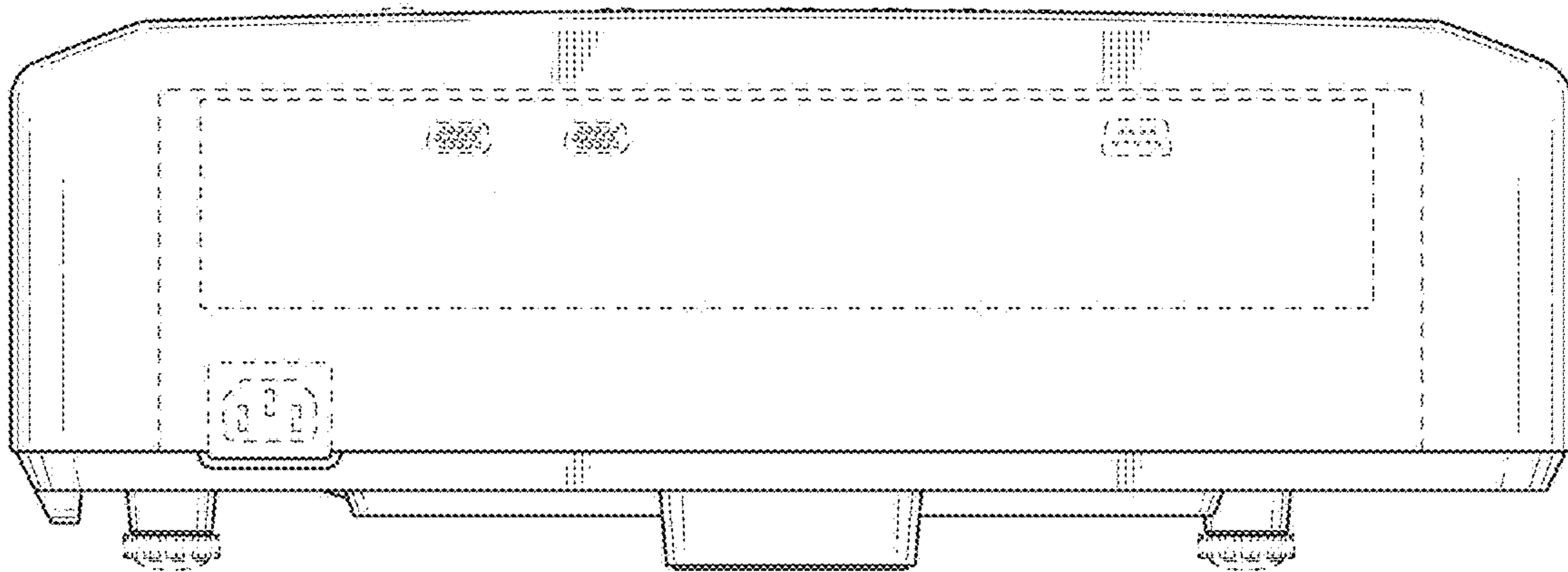


FIG. 5

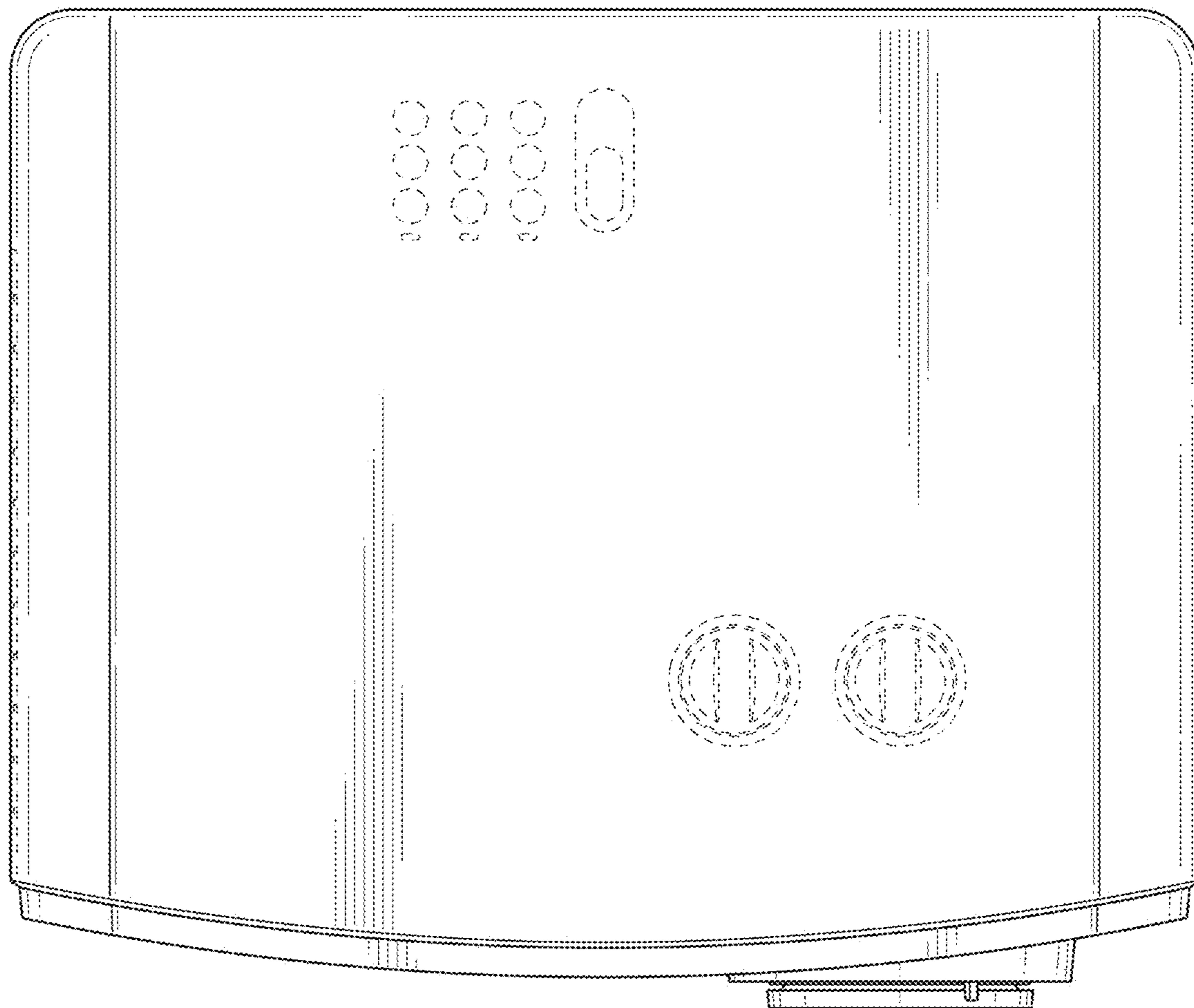


FIG. 6

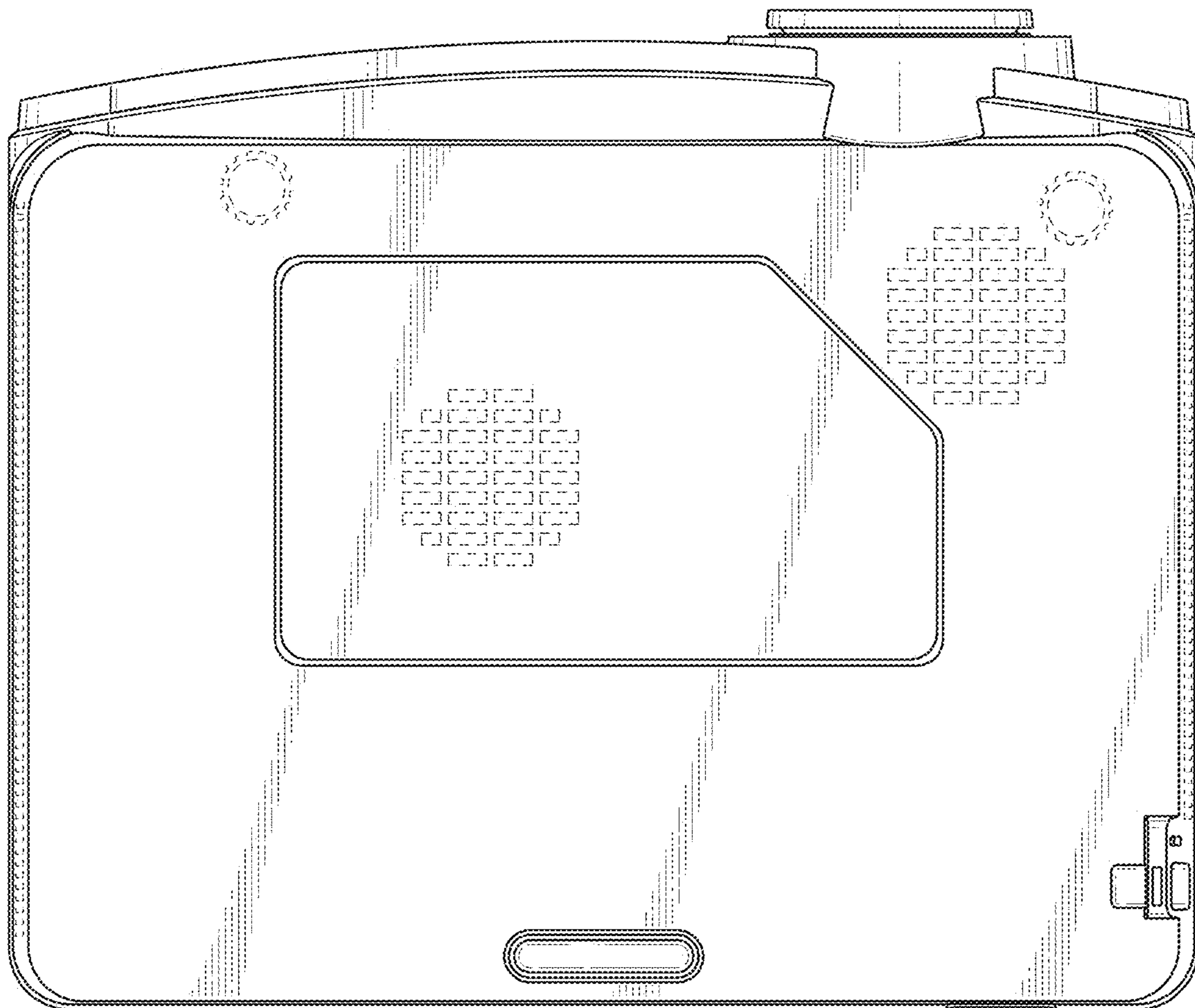


FIG. 7

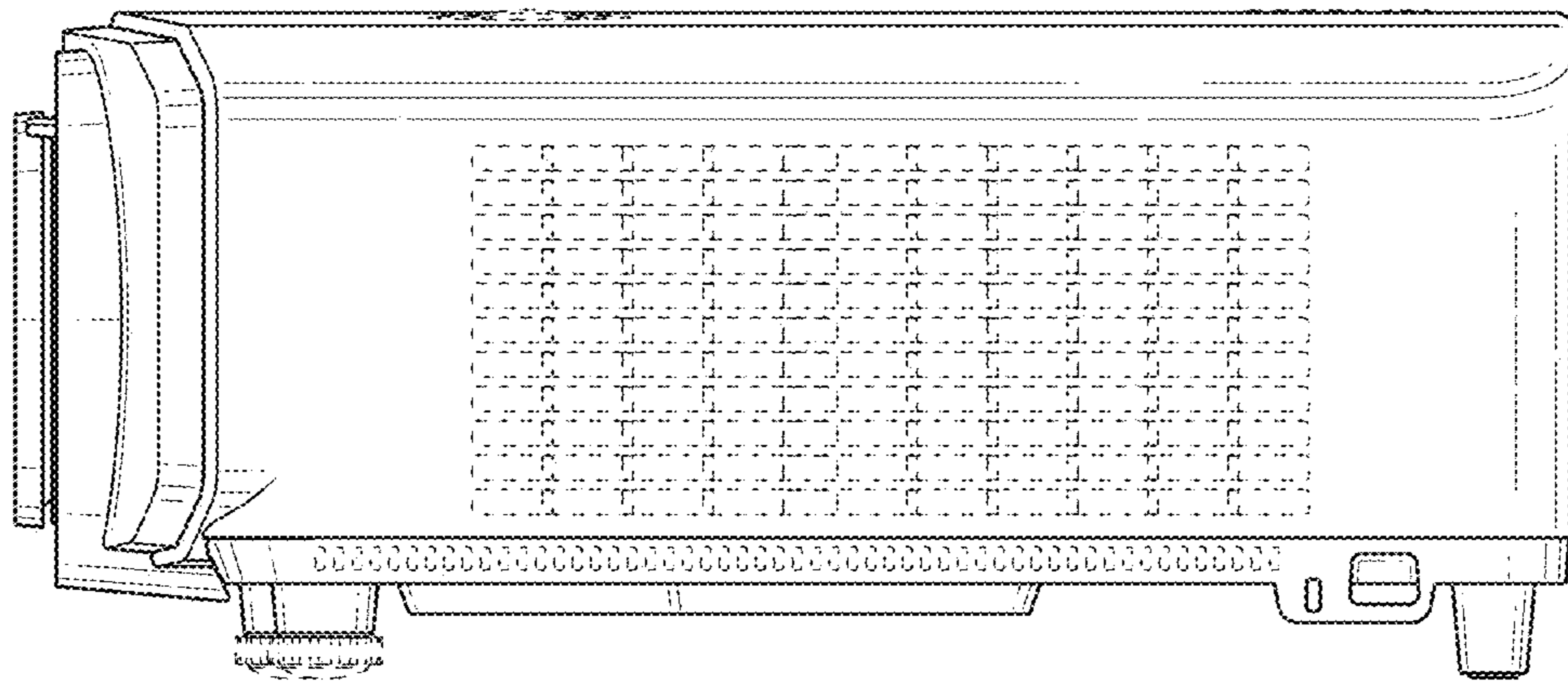




FIG. 8

