



US00D912125S

(12) **United States Design Patent**
Gao

(10) **Patent No.:** **US D912,125 S**
(45) **Date of Patent:** **** Mar. 2, 2021**

(54) **SMART CAMERA**

(71) Applicant: **HANGZHOU HIKROBOT TECHNOLOGY CO., LTD.**, Hangzhou (CN)

(72) Inventor: **Jialong Gao**, Hangzhou (CN)

(73) Assignee: **HANGZHOU HIKROBOT TECHNOLOGY CO., LTD.**, Hangzhou (CN)

(**) Term: **15 Years**

(21) Appl. No.: **29/716,648**

(22) Filed: **Dec. 11, 2019**

(30) **Foreign Application Priority Data**

Jun. 13, 2019 (CN) 201930305382.2

(51) **LOC (13) Cl.** **16-01**

(52) **U.S. Cl.**
USPC **D16/218**; D16/202

(58) **Field of Classification Search**
USPC D16/200, 202–206, 208, 218, 219;
D14/420, 496, 497; 348/373–376;
396/535, 539–541
CPC G03B 15/03; G03B 17/02; G03B 17/04;
G03B 17/56; G03B 19/04; H04N 5/2251;
H04N 5/2252; H04N 5/2253; H04N
5/2254; H04N 2101/00
See application file for complete search history.

(56) **References Cited**

U.S. PATENT DOCUMENTS

D409,641 S * 5/1999 Uehara D16/202
D494,989 S * 8/2004 Nagata D16/200

D563,444 S * 3/2008 Brickzin D16/202
D564,562 S * 3/2008 Honma D16/200
D616,481 S * 5/2010 Wampler D16/219
D671,584 S * 11/2012 Ohno D16/202
D692,473 S * 10/2013 Kawaguchi D16/202
D696,707 S * 12/2013 Guastadini D16/202
D699,777 S * 2/2014 Li D16/217
D715,347 S * 10/2014 Troxel D16/202
D729,295 S * 5/2015 Onruang D16/202
D765,755 S * 9/2016 Pellegrino D16/202
D786,331 S * 5/2017 van Hoff D16/219
D787,580 S * 5/2017 van Hoff D16/219
D789,999 S * 6/2017 Yakabe D16/200
D891,431 S * 7/2020 Iacovitti D14/420
D896,862 S * 9/2020 Sun D16/202

* cited by examiner

Primary Examiner — Ramzi S Almatrahi

(74) *Attorney, Agent, or Firm* — Norton Rose Fulbright
US LLP

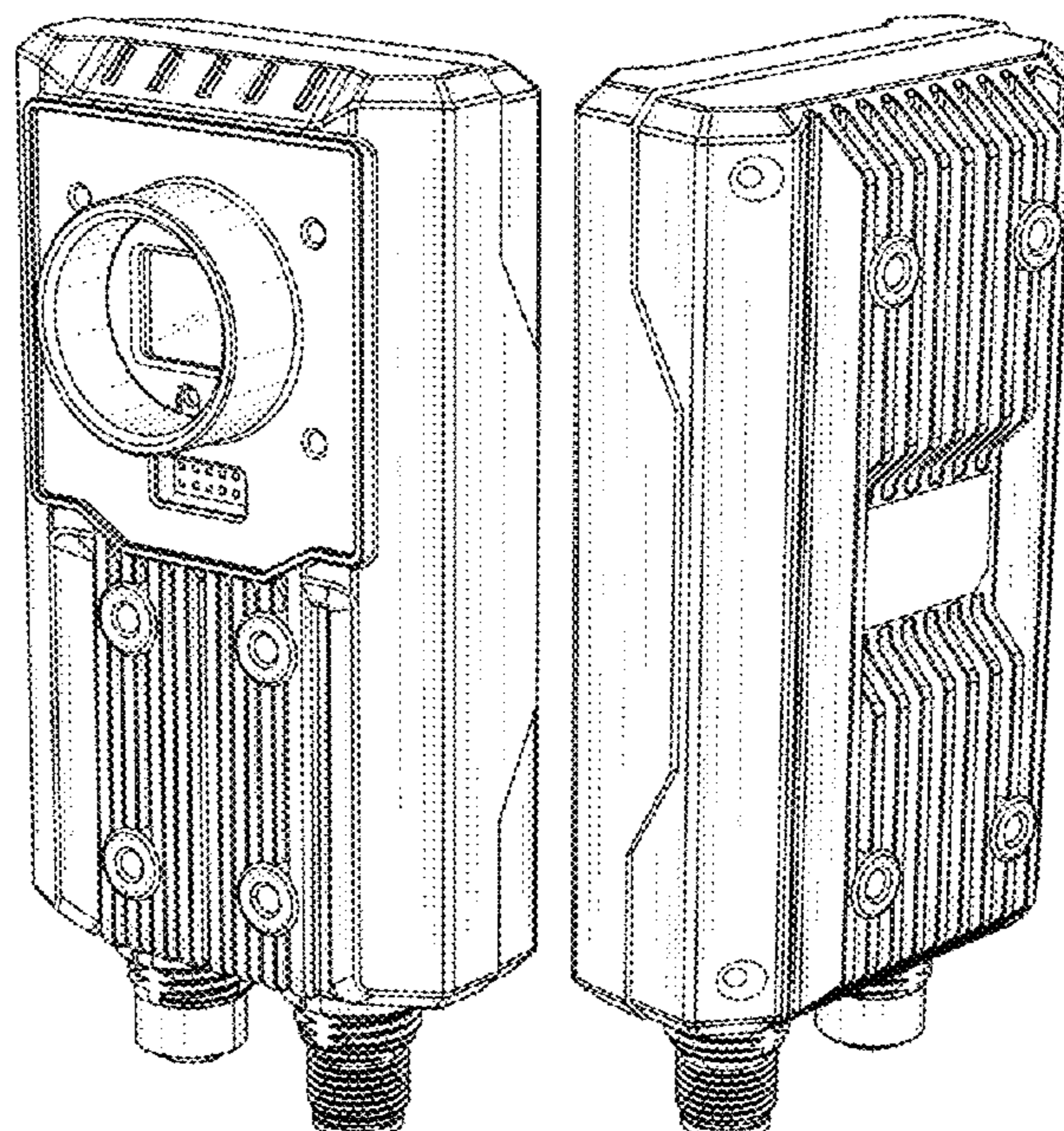
(57) **CLAIM**

The ornamental design for a smart camera, as shown and described.

DESCRIPTION

FIG. 1 is a front elevation view of a smart camera showing my new design;
FIG. 2 is a back elevation view thereof;
FIG. 3 is a left side elevation view thereof;
FIG. 4 is a right side elevation view thereof;
FIG. 5 is a top plan view thereof;
FIG. 6 is a bottom plan view thereof;
FIG. 7 is a front perspective view thereof; and,
FIG. 8 is a back perspective view thereof.
The broken lines depict portions of the smart camera in which the design is embodied that form no part of the claimed design.

1 Claim, 4 Drawing Sheets



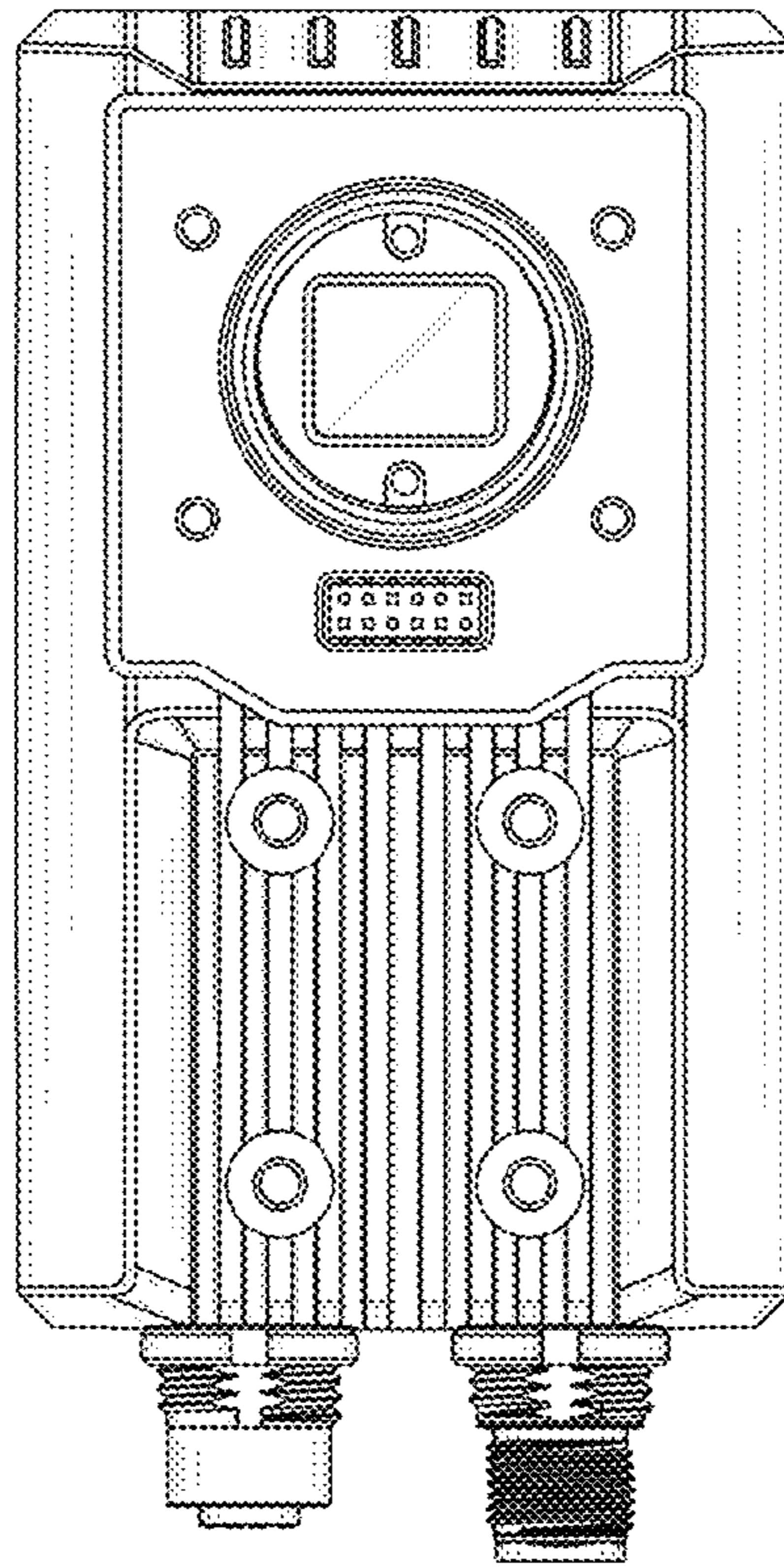


FIG. 1

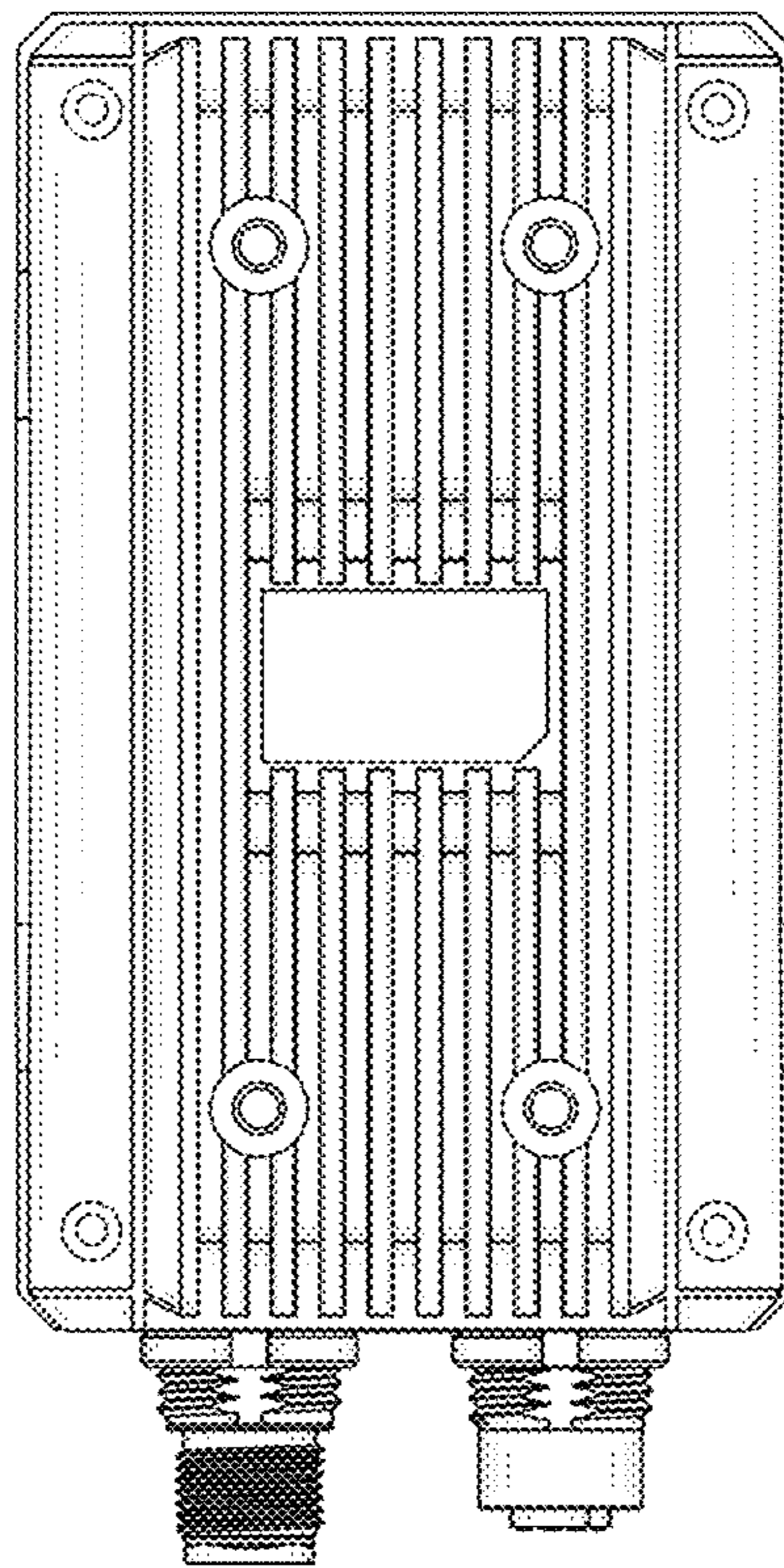


FIG. 2

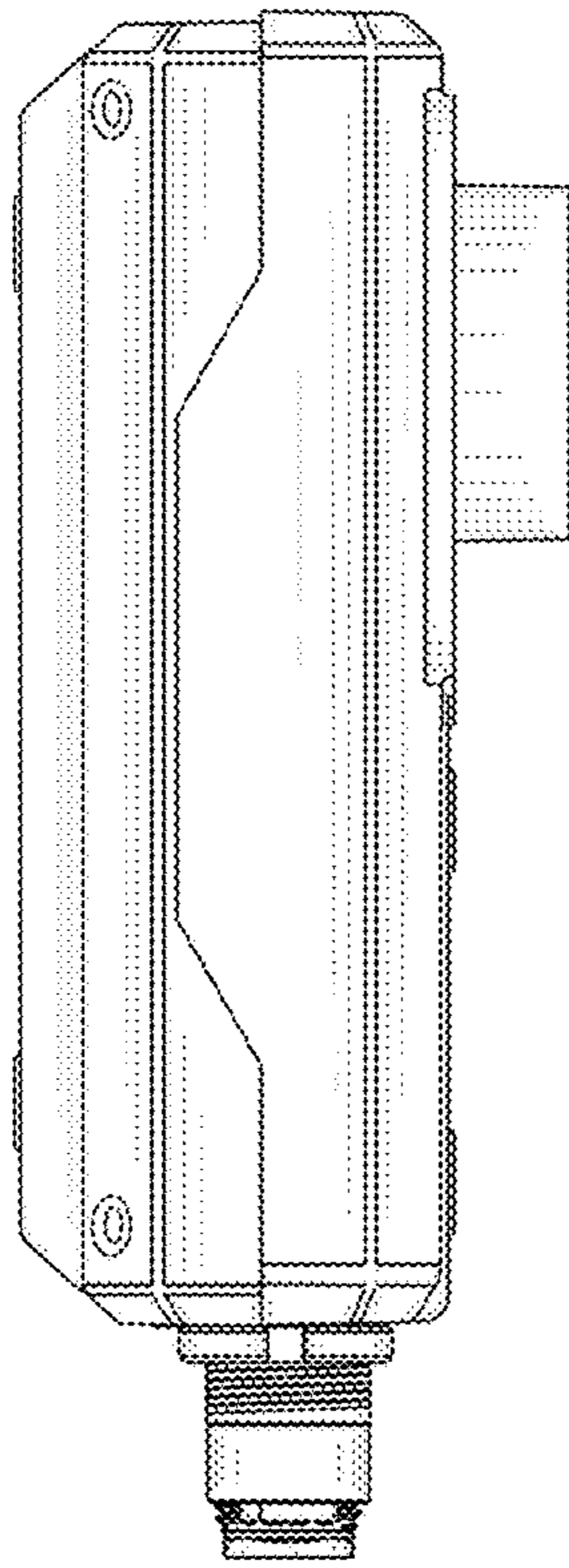


FIG. 3

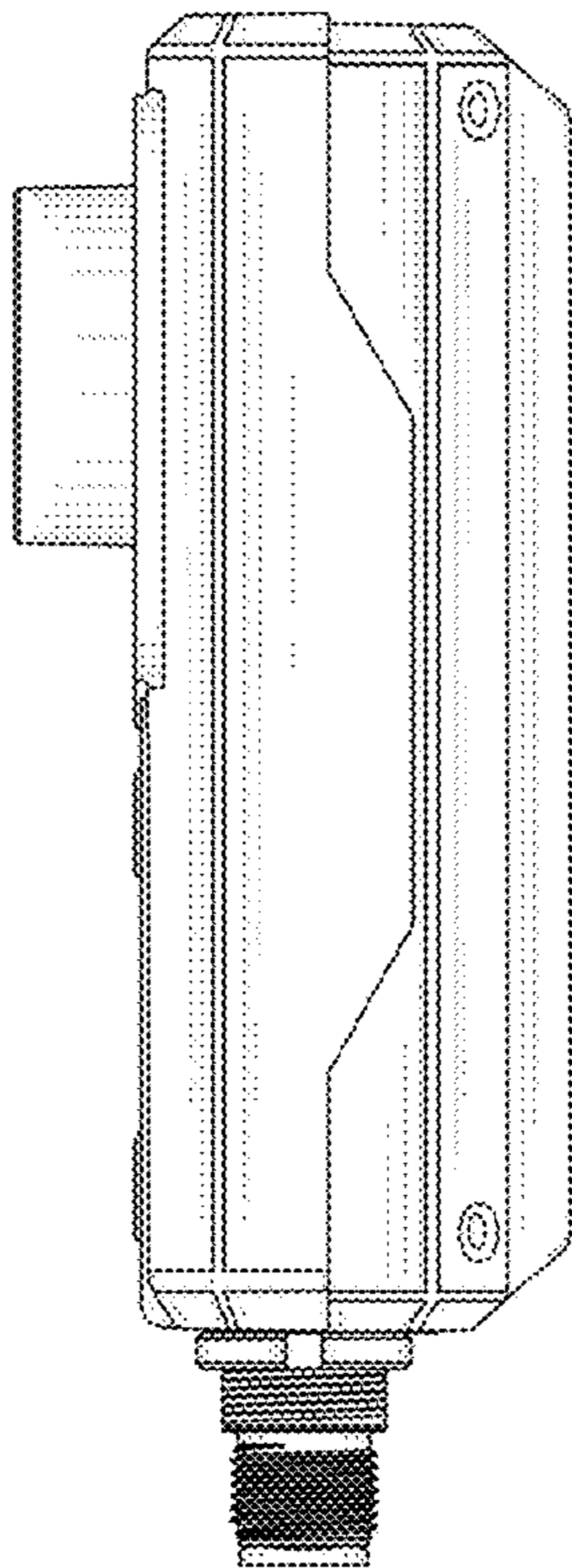


FIG. 4

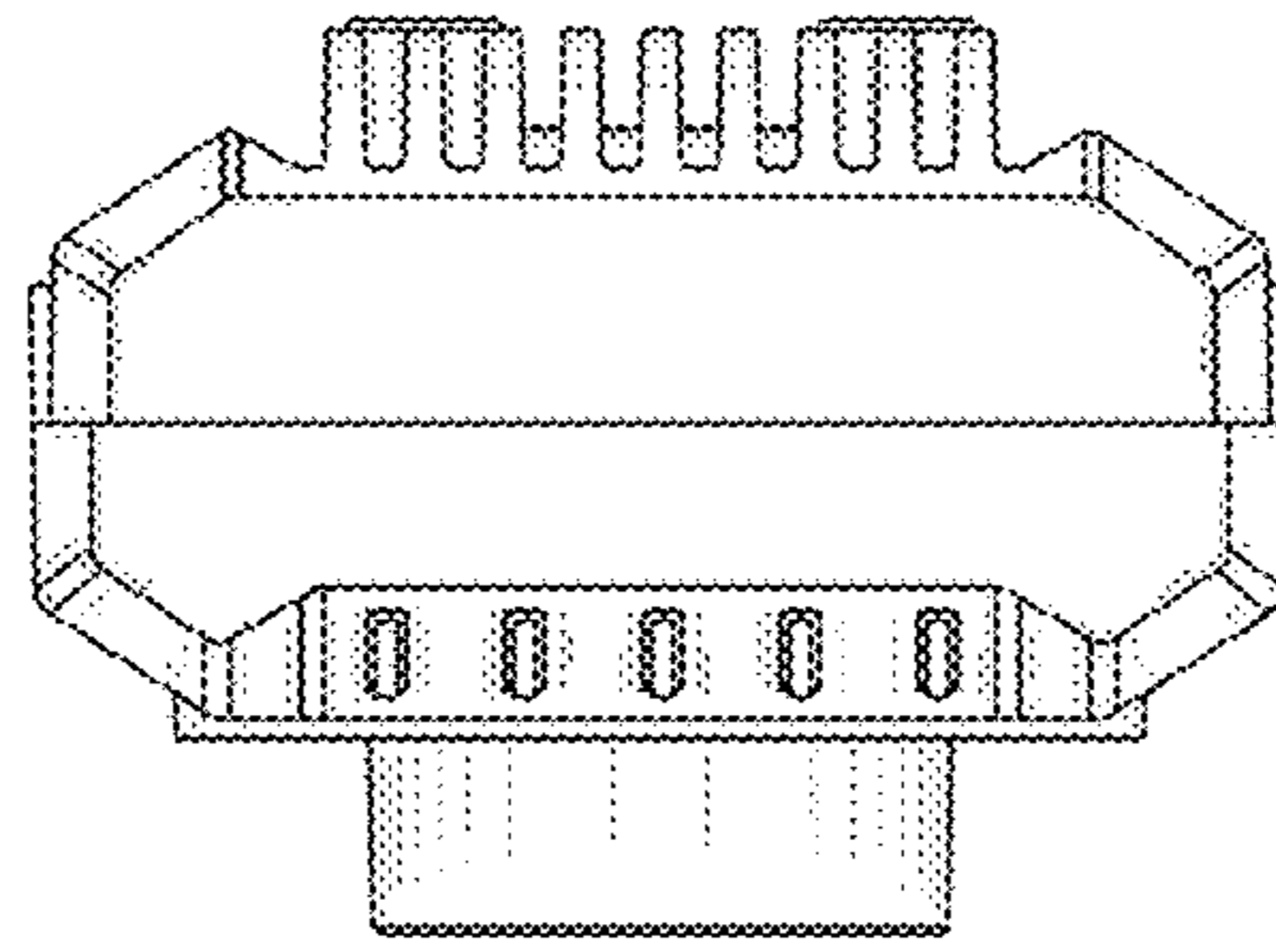


FIG. 5

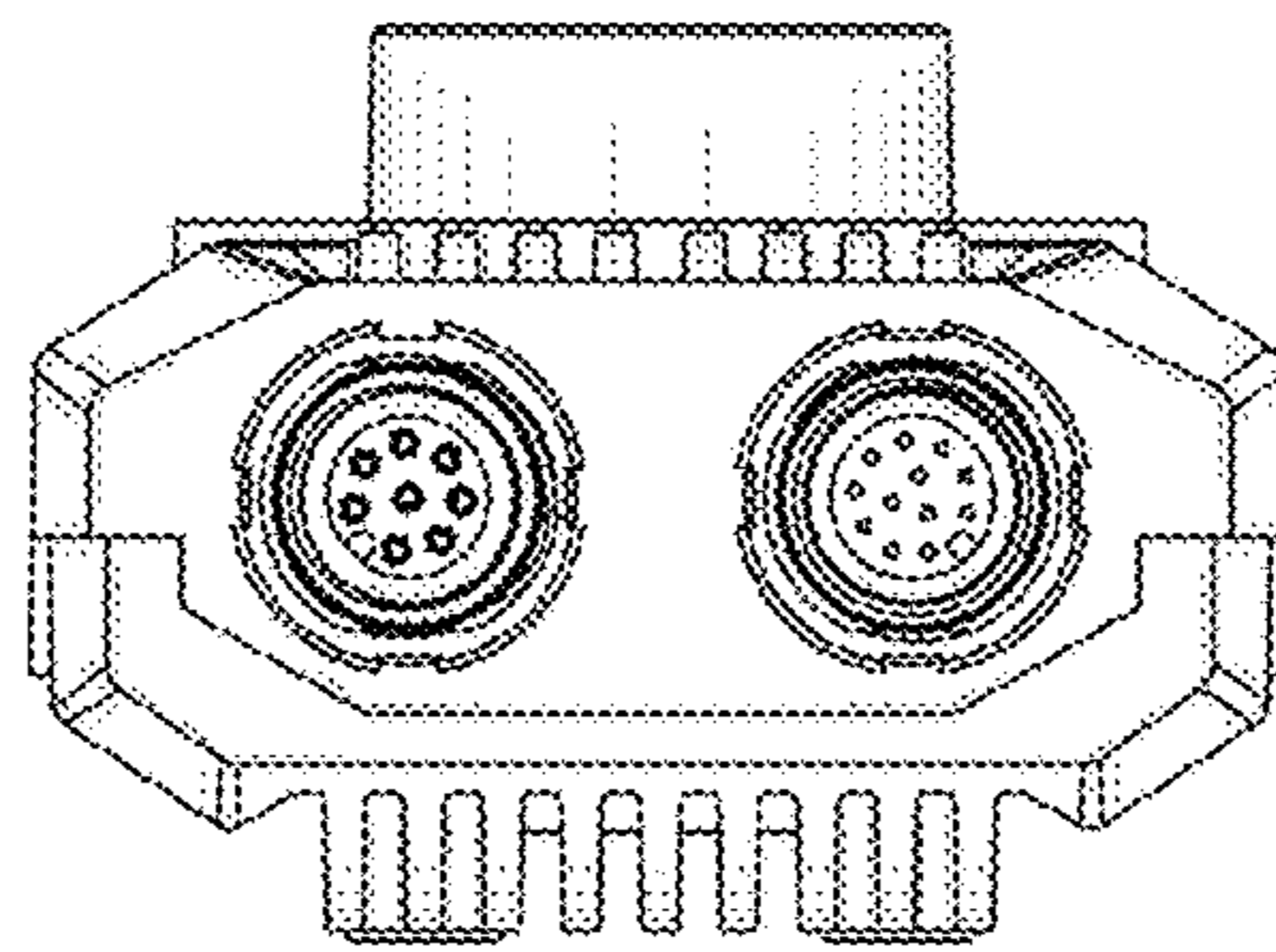


FIG. 6

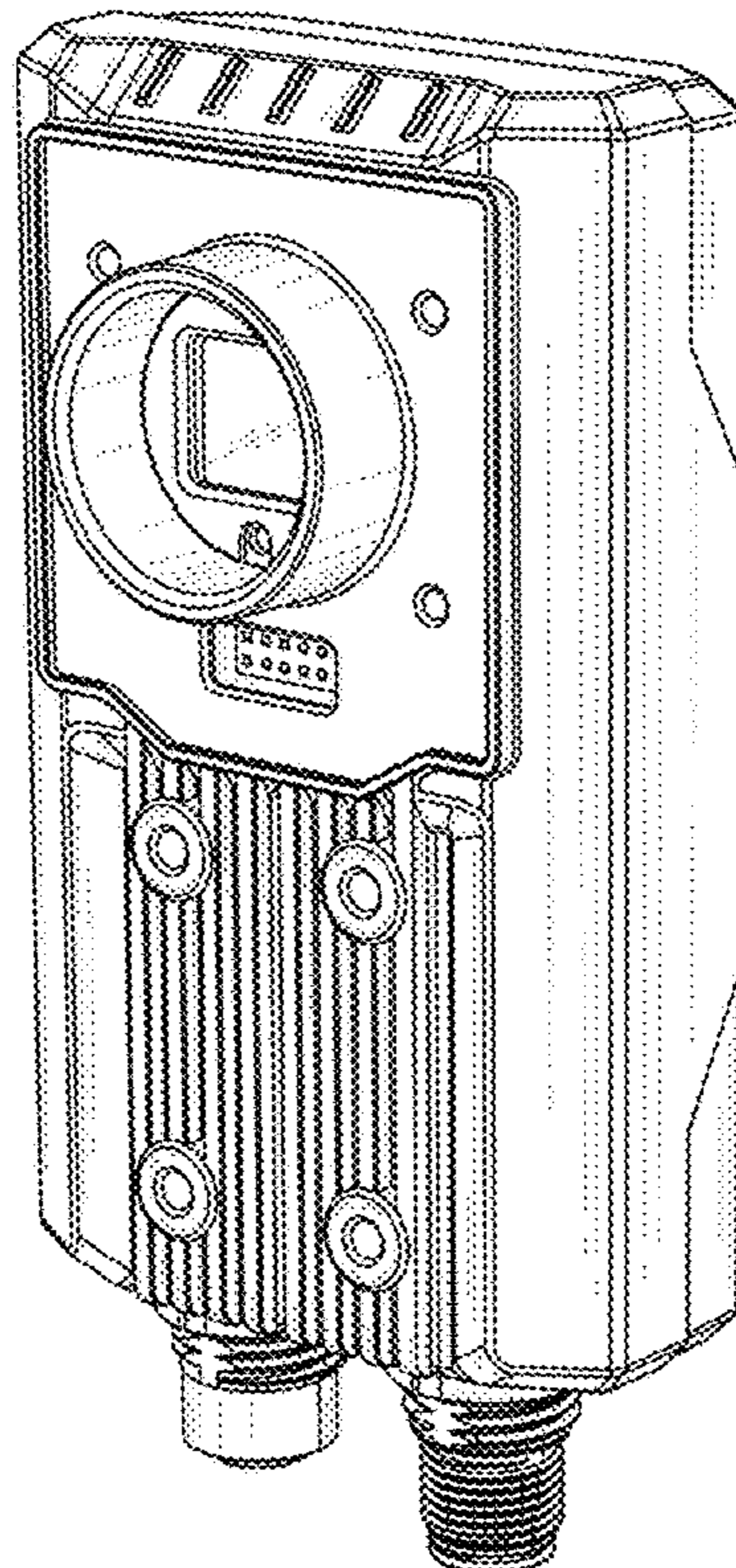


FIG. 7

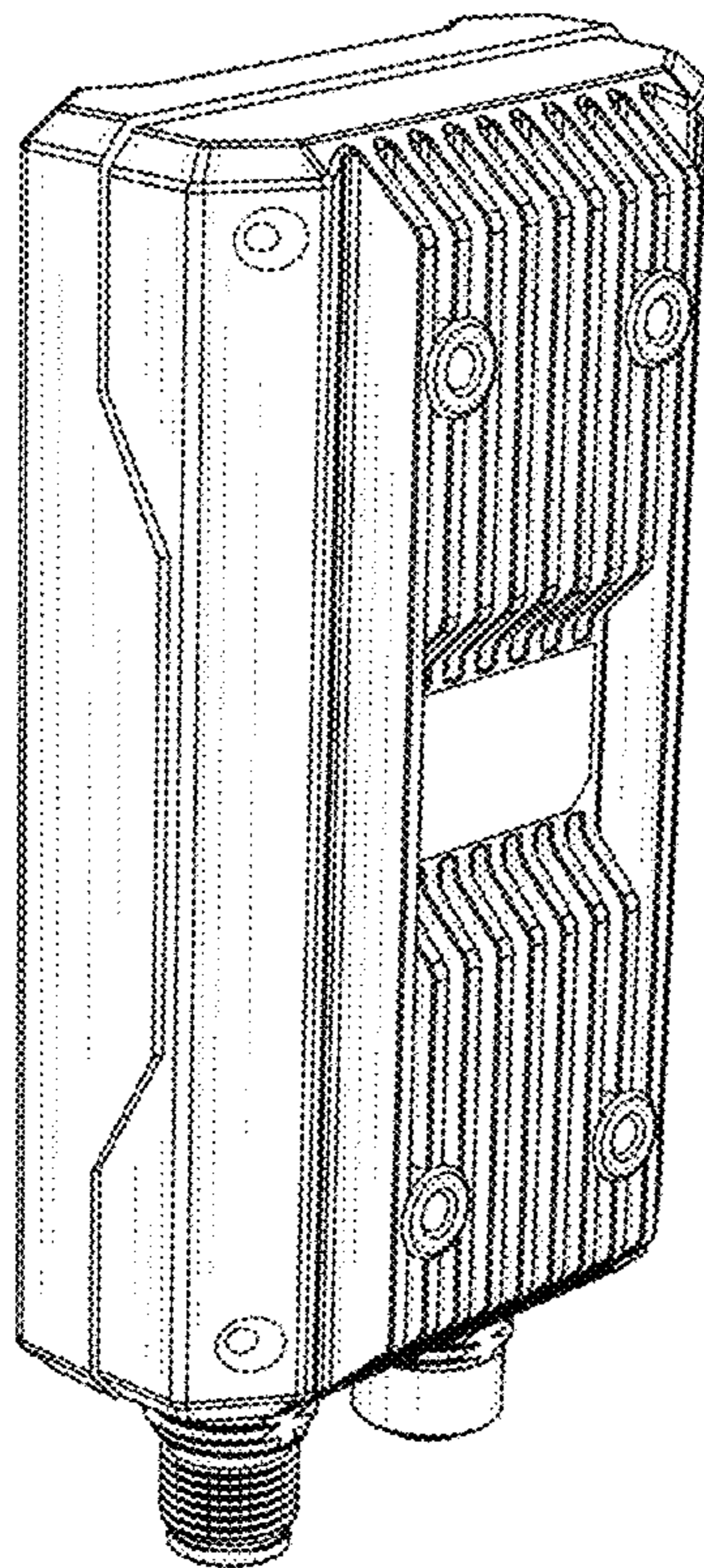


FIG. 8