



US00D912124S

(12) **United States Design Patent** (10) **Patent No.:** **US D912,124 S**
Wigney (45) **Date of Patent:** **** Mar. 2, 2021**

(54) **INSPECTION CAMERA**
(71) Applicant: **The Cable Ferret Company Limited,**
Auckland (NZ)
(72) Inventor: **Andrew James Wigney,** Auckland
(NZ)
(73) Assignee: **The Cable Ferret Company Limited,**
Auckland (NZ)

D732,100 S * 6/2015 Jeong D16/203
D753,751 S * 4/2016 Moller-Lewin D16/203
D813,925 S * 3/2018 Park D16/203
D831,089 S * 10/2018 Laffon de Mazieres D16/202
D848,504 S * 5/2019 Ahman D16/203
D855,584 S * 8/2019 Laine D14/216
D874,534 S * 2/2020 Matsuo D16/203
D883,362 S * 5/2020 Lee D16/208
D886,177 S * 6/2020 Ramones D16/203
D888,124 S * 6/2020 Russo D16/202
D899,484 S * 10/2020 Harju D16/218

(**) Term: **15 Years**

OTHER PUBLICATIONS

(21) Appl. No.: **29/701,418**

“Investigate with a Ferret the Versatile Inspection & Cabling Tool, CF2810C Professional Edition Kit,” Brochure, Cable Ferret, Inc., www.cableferret.com.au, Nov. 2013, 4 pages.

(22) Filed: **Aug. 12, 2019**

(Continued)

(30) **Foreign Application Priority Data**

Feb. 14, 2019 (NZ) 425724
Jul. 19, 2019 (NZ) 426250
Jul. 19, 2019 (NZ) 426251

Primary Examiner — Ramzi S Almatrahi
(74) *Attorney, Agent, or Firm* — Nixon & Vanderhye P.C.

(51) **LOC (13) Cl.** **16-01**
(52) **U.S. Cl.**
USPC **D16/218**

(57) **CLAIM**

(58) **Field of Classification Search**
USPC D16/200, 202–208, 218, 219, 242;
D10/47, 57, 78; 348/143, 148, 151, 164,
348/373–376; 396/419, 427, 535,
396/539–541
CPC G03B 17/02; G03B 19/04; G03B 17/56;
G03B 17/04; G03B 15/03; H04N 5/2251;
H04N 5/2252; H04N 5/2253; H04N
5/2254; H04N 7/181; H04N 7/183; H04N
7/18; G08B 13/1963; G08B 13/19619;
G08B 13/19632; F16M 11/04; F16M
13/00
See application file for complete search history.

The ornamental design for an inspection camera, as shown and described.

DESCRIPTION

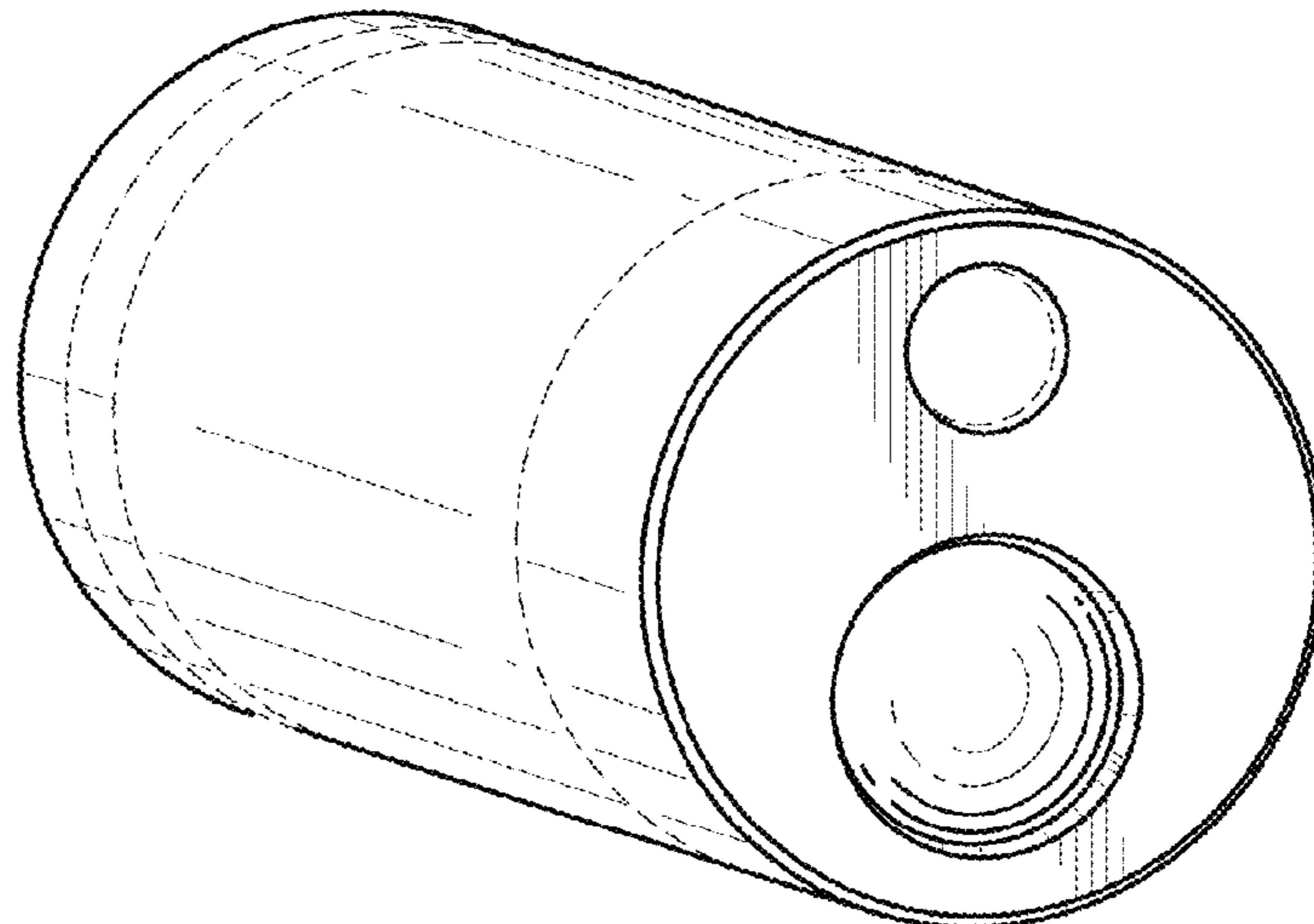
FIG. 1 is a front perspective view of an inspection camera showing my new design;
FIG. 2 is a front view thereof;
FIG. 3 is a rear view thereof;
FIG. 4 is a top view thereof;
FIG. 5 is a bottom view thereof; and,
FIG. 6 is a left side view thereof; the right side view being a mirror image thereof.
The broken lines depict portions of the inspection camera in which the design is embodied that form no part of the claimed design.

(56) **References Cited**

U.S. PATENT DOCUMENTS

D635,173 S * 3/2011 Yamakawa D16/203
D696,329 S * 12/2013 Horiki D16/203

1 Claim, 2 Drawing Sheets



(56)

References Cited

OTHER PUBLICATIONS

“Ferret WiFi, Smart Tool. Smart Choice.”, Brochure, www.cableferret.co.nz, Feb. 20, 2018, 2 pages.

“The Cable Ferret Company, wigcam CF2810A, Wireless Inspection Camera and LCD Display, Instruction Manual,” copyright 2013, 12 pages.

Wigney, Andrew James, Design U.S. Appl. No. 29/664,432, filed Sep. 25, 2018, entitled “Inspection Camera and Cabling Tool”.

* cited by examiner

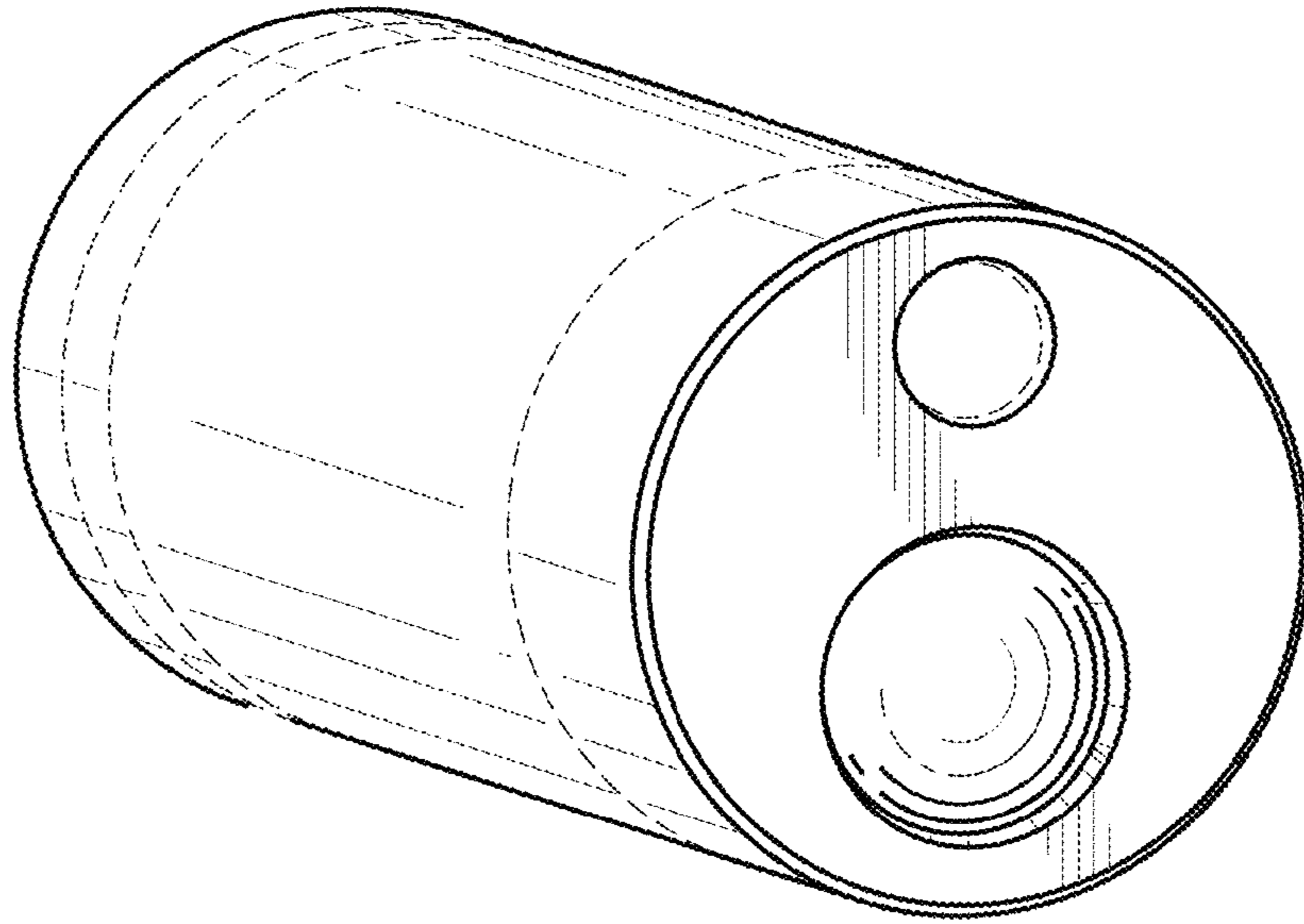


FIG. 1

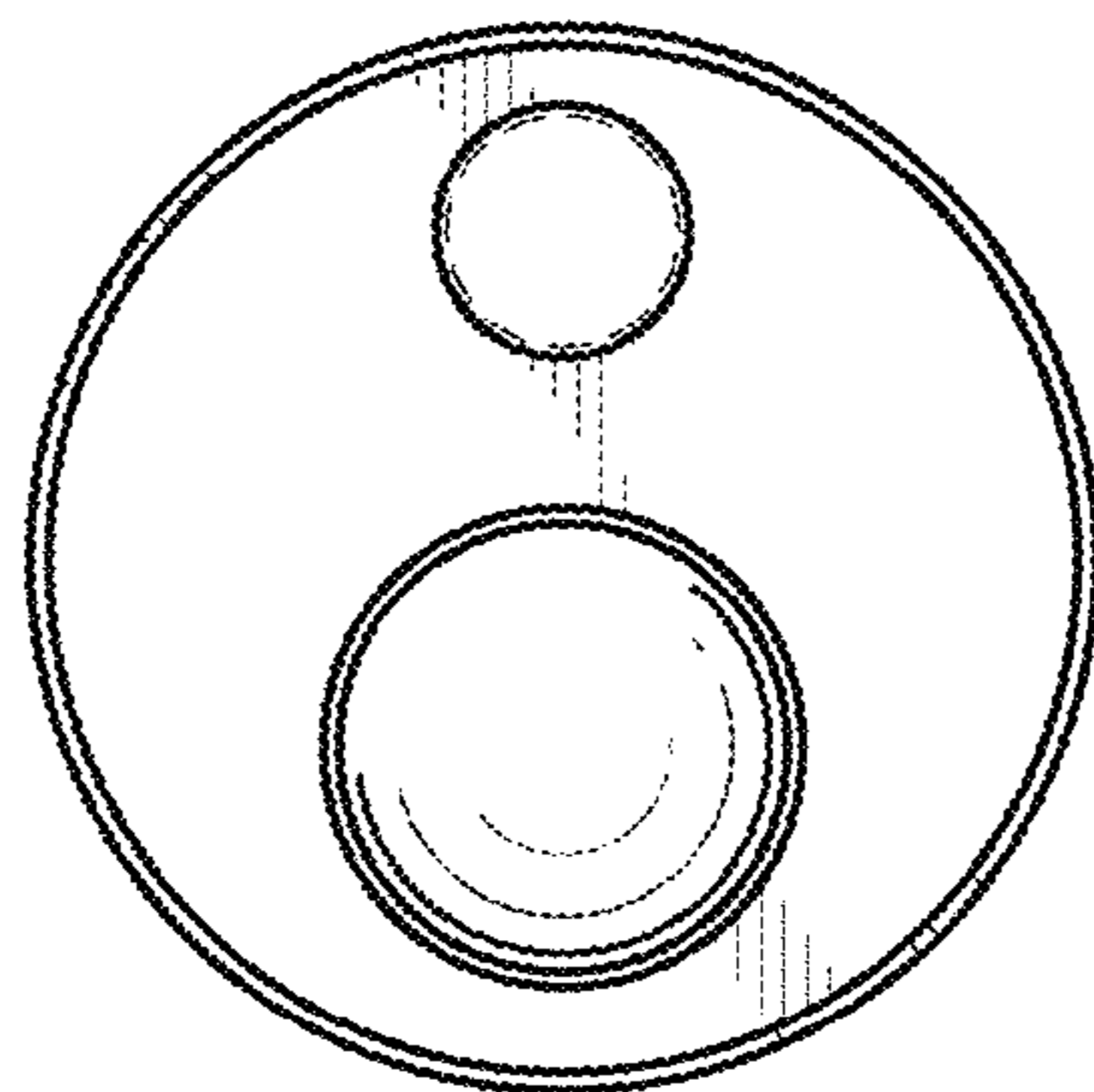


FIG. 2

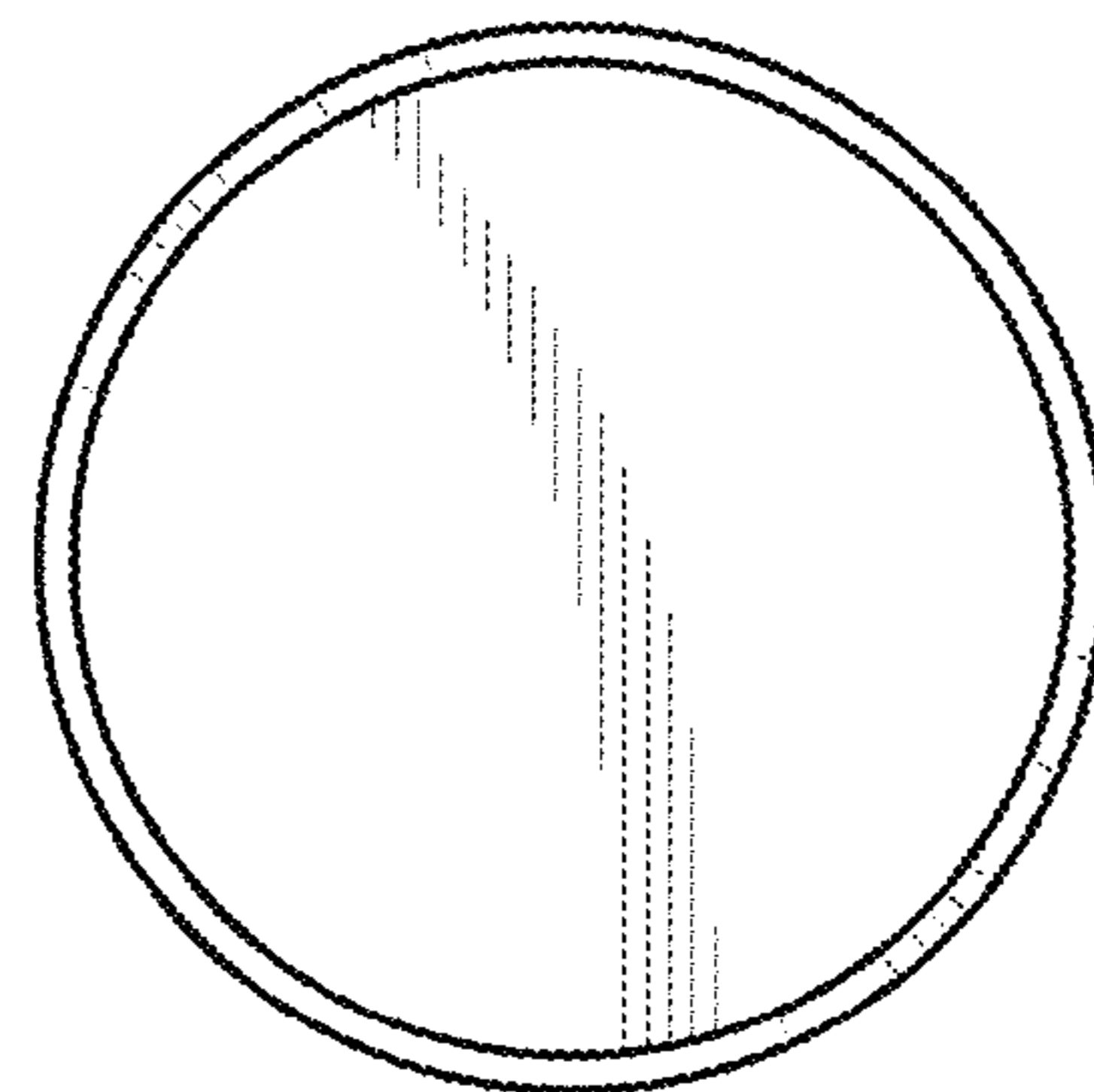


FIG. 3

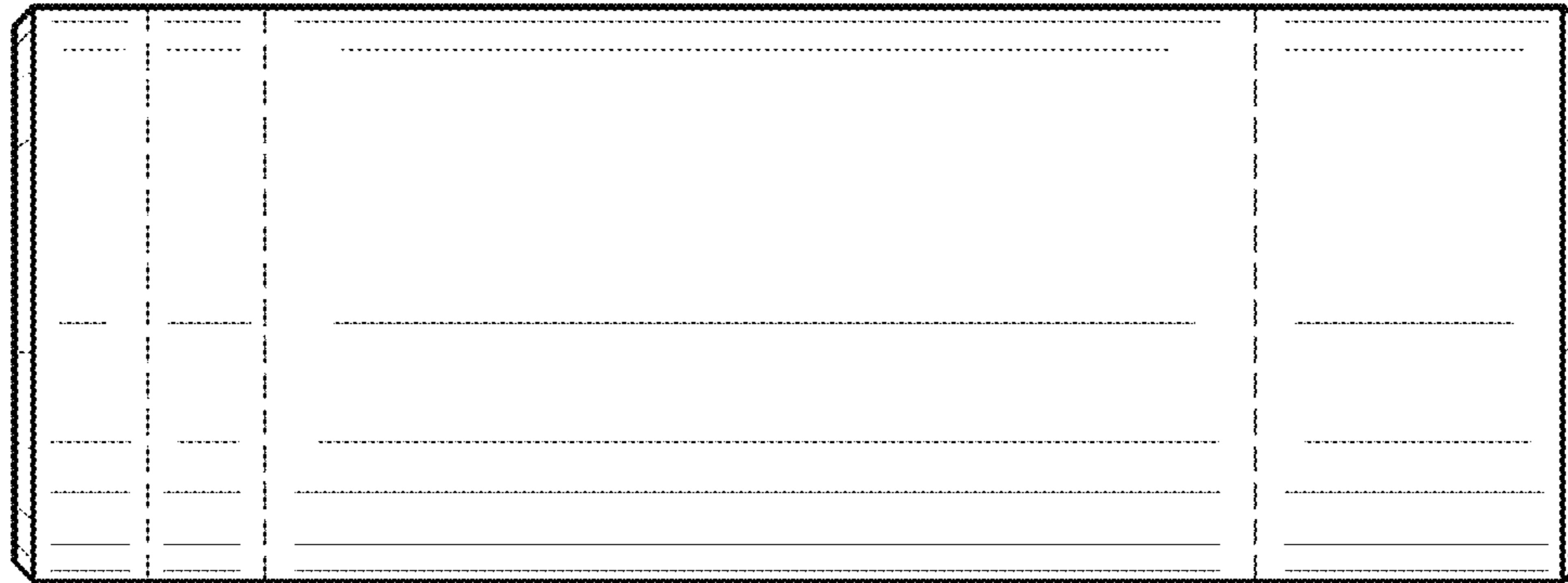


FIG. 4

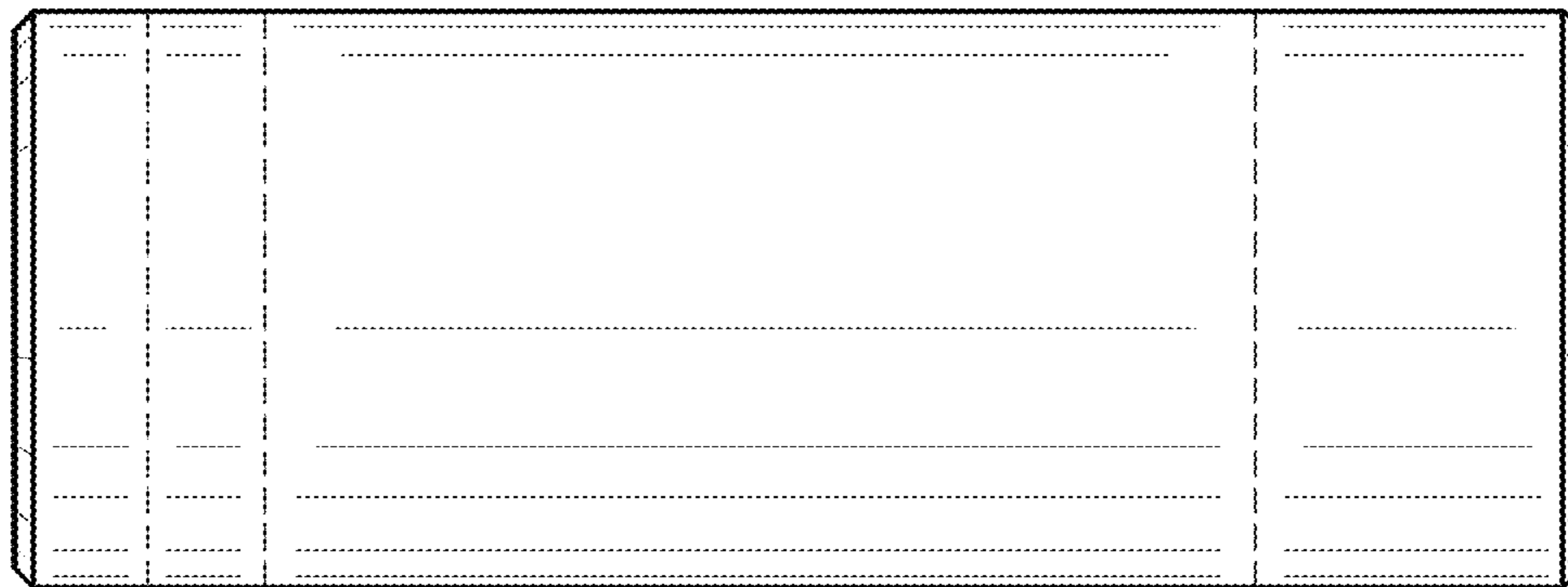


FIG. 5

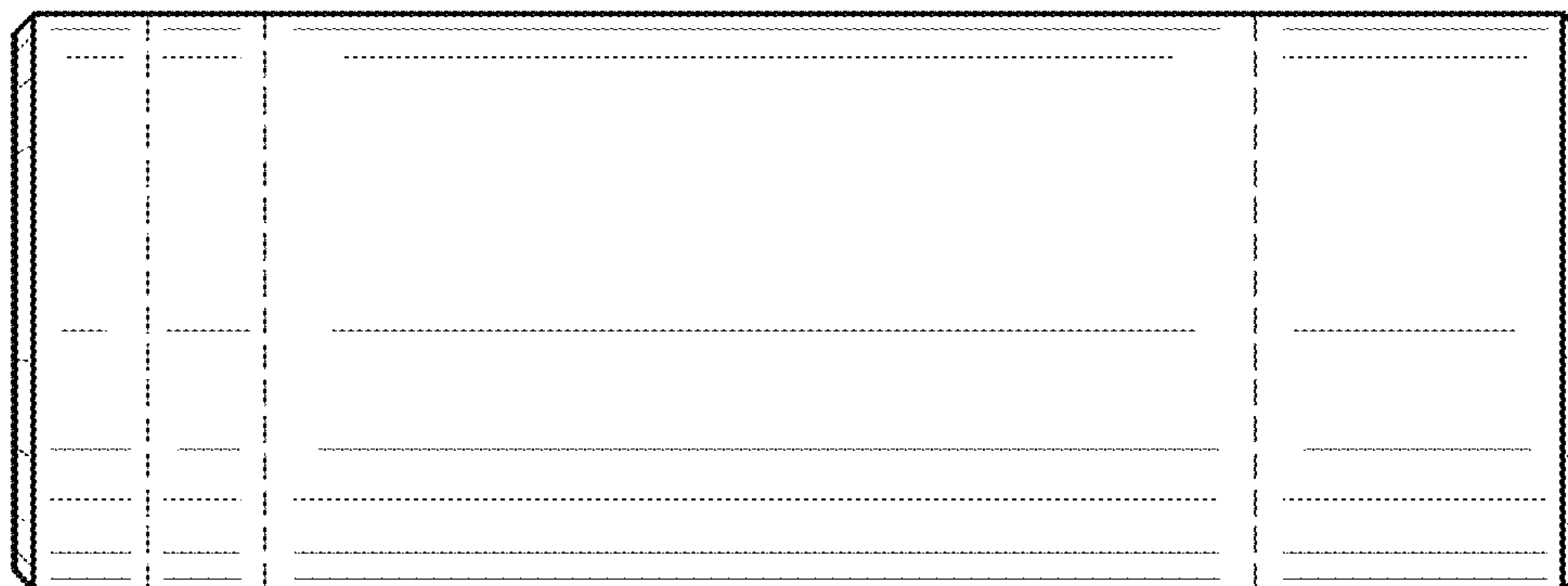


FIG. 6