



US00D912123S

(12) **United States Design Patent** (10) **Patent No.:** **US D912,123 S**  
**Scalisi et al.** (45) **Date of Patent:** **\*\* Mar. 2, 2021**

(54) **POWER OUTLET CAMERA**

(71) Applicant: **SkyBell Technologies, Inc.**, Irvine, CA (US)

(72) Inventors: **Joseph Frank Scalisi**, Yorba Linda, CA (US); **Joon Sung**, Riverside, CA (US)

(\*\*) Term: **15 Years**

(21) Appl. No.: **29/719,247**

(22) Filed: **Jan. 2, 2020**

(51) **LOC (13) Cl.** ..... **16-01**

(52) **U.S. Cl.**  
USPC ..... **D16/203**

(58) **Field of Classification Search**  
USPC ..... D16/200, 202-206, 218, 219, 242;  
D10/106.2, 106.3, 106.5, 118.1; 348/143,  
348/148, 151, 373-376; 396/419, 427,  
396/535, 539-541  
CPC ..... G03B 17/02; G03B 19/04; G03B 17/56;  
G03B 17/04; G03B 15/03; H04N 5/2251;  
H04N 5/2252; H04N 5/2253; H04N  
5/2254; G08B 13/1963; G08B 13/19619;  
G08B 13/19632

See application file for complete search history.

(56) **References Cited**

**U.S. PATENT DOCUMENTS**

1,230,643	A	6/1917	Anderson
D179,803	S	3/1957	Gillette
D215,375	S	9/1969	Doggert
D225,379	S	12/1972	Gallagher
4,172,967	A	10/1979	Porter
D297,222	S	8/1988	Rauch
5,148,468	A	9/1992	Marrick
D371,086	S	6/1996	Collins
D404,673	S	1/1999	Gordon
D422,521	S	4/2000	Morrow
D425,221	S	5/2000	Burns

D441,346	S	5/2001	Bonn
D442,617	S	5/2001	Ohmori
D455,767	S	4/2002	Tsang
D455,768	S	4/2002	Tsang
D480,741	S	10/2003	Berger
D506,404	S	6/2005	Kaczmarek
D506,693	S	6/2005	Kaczmarek
D509,842	S	9/2005	Ou
7,015,943	B2	3/2006	Chiang
7,113,578	B2	9/2006	Unger
D530,231	S	10/2006	Kawabata

(Continued)

**OTHER PUBLICATIONS**

Skybell; Answer Door with Smart Phone; MySkyBell.com (later SkyBell.com); Downloaded on Nov. 18, 2013 from <URL: http://www.myskybell.com>.

(Continued)

*Primary Examiner* — Ramzi S Almatrahi

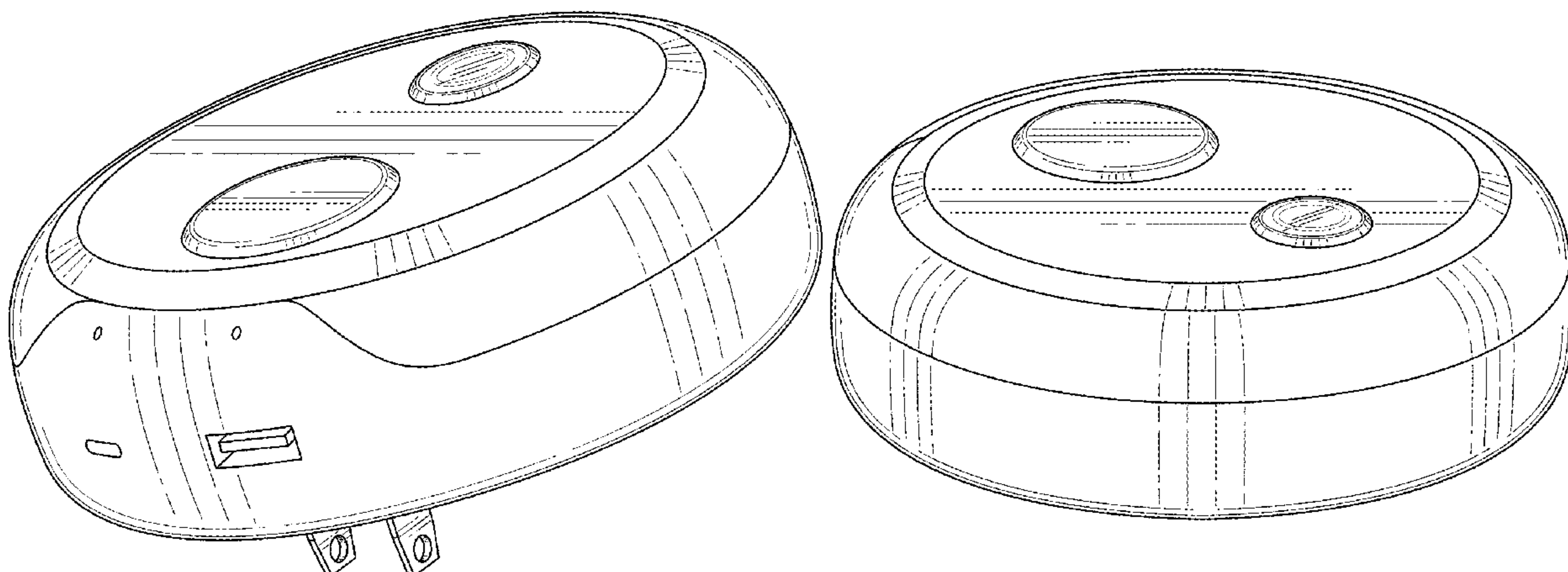
(57) **CLAIM**

The ornamental design for a power outlet camera, as shown and described.

**DESCRIPTION**

FIG. 1 is a top, first side, and front perspective view of a power outlet camera embodying the new design;  
 FIG. 2 is a bottom, first side, and front perspective view thereof;  
 FIG. 3 is a front view thereof;  
 FIG. 4 is a back view thereof;  
 FIG. 5 is a first side view thereof;  
 FIG. 6 is a second side view thereof;  
 FIG. 7 is a top view thereof; and,  
 FIG. 8 is a bottom view thereof.  
 The broken lines depict portions of the power outlet camera in which the design is embodied that form no part of the claimed design.

**1 Claim, 8 Drawing Sheets**





(56)

References Cited

U.S. PATENT DOCUMENTS

D534,566 S 1/2007 Ishii  
 D537,095 S 2/2007 Alden  
 D575,316 S 8/2008 Liu  
 D577,301 S 9/2008 Johnson  
 D592,231 S 5/2009 Schnell  
 D627,671 S 11/2010 Gonzales  
 D640,756 S 6/2011 Busse  
 D645,005 S 9/2011 Menheere  
 D645,071 S 9/2011 Hinkel  
 D657,410 S 4/2012 Helaooui  
 D659,197 S 5/2012 Slone  
 D664,178 S 7/2012 Hinkel  
 D677,297 S 3/2013 Bart  
 D679,309 S 4/2013 Park  
 D680,015 S 4/2013 Hauser  
 D687,328 S 8/2013 Clymer  
 D689,536 S 9/2013 Li  
 D689,828 S 9/2013 Pierson  
 D692,847 S 11/2013 Barley  
 D694,305 S 11/2013 Katori  
 D694,306 S 11/2013 Katori  
 D711,275 S 8/2014 Scalisi  
 8,834,044 B2 9/2014 Uehara  
 D719,205 S 12/2014 Matsumoto  
 D719,994 S 12/2014 Wang  
 D721,755 S 1/2015 Åhman  
 D727,769 S 4/2015 Scalisi  
 D727,989 S 4/2015 Hasuda  
 D729,179 S 5/2015 Cheung  
 D729,678 S 5/2015 Scalisi  
 D729,859 S 5/2015 Shin  
 D730,422 S 5/2015 Kim  
 D733,780 S 7/2015 Chen  
 D734,801 S 7/2015 Yang  
 D736,294 S 8/2015 Scalisi  
 9,113,051 B1 8/2015 Scalisi  
 D739,942 S 9/2015 Pernu  
 D746,165 S 12/2015 Li  
 D746,166 S 12/2015 Li  
 D747,384 S 1/2016 Scalisi  
 D747,385 S 1/2016 Scalisi  
 D747,755 S 1/2016 Scalisi  
 D747,756 S 1/2016 Scalisi  
 D748,178 S 1/2016 Scalisi  
 D748,179 S 1/2016 Scalisi  
 D748,180 S 1/2016 Scalisi  
 9,230,424 B1 1/2016 Scalisi  
 D748,709 S 2/2016 Jeong  
 D751,446 S 3/2016 Lin  
 D752,674 S 3/2016 Katori  
 D756,828 S 5/2016 Wettre  
 D757,587 S 5/2016 Li  
 9,342,936 B2 5/2016 Scalisi  
 D758,470 S 6/2016 Kircher  
 D766,121 S 9/2016 Scalisi  
 D773,947 S 12/2016 Scarcella  
 D776,180 S 1/2017 Fiedler  
 9,584,775 B2 2/2017 Siminoff  
 D795,115 S 8/2017 Parker  
 D795,728 S 8/2017 Parker  
 D795,937 S 8/2017 Chang  
 D796,569 S \* 9/2017 Chang ..... D16/218  
 9,769,435 B2 9/2017 Scalisi  
 D799,359 S 10/2017 Zhang  
 D800,077 S 10/2017 Windstrup  
 D800,816 S 10/2017 Fujita  
 D803,922 S 11/2017 Chang  
 D803,923 S 11/2017 Tudosoiu  
 D808,912 S 1/2018 Dimberg  
 D809,951 S 2/2018 Yang  
 D810,970 S 2/2018 Thompson  
 D812,577 S 3/2018 Turksu  
 D813,212 S 3/2018 Nangeroni  
 D822,089 S \* 7/2018 Park ..... D16/203  
 D824,791 S \* 8/2018 Scalisi ..... D10/118

D825,539 S 8/2018 Lu  
 D827,011 S \* 8/2018 Kip ..... D16/202  
 10,041,639 B1 8/2018 Thompson  
 D830,870 S 10/2018 Shepher  
 D837,168 S 1/2019 Altonen  
 D837,169 S 1/2019 Altonen  
 D838,305 S 1/2019 Chang  
 D840,258 S \* 2/2019 Scalisi ..... D10/118.2  
 D840,460 S \* 2/2019 Scalisi ..... D16/203  
 D849,080 S \* 5/2019 Rosenberg ..... D16/202  
 2004/0124978 A1 7/2004 Chen  
 2008/0036862 A1 2/2008 Lang  
 2013/0045763 A1 2/2013 Ruiz  
 2013/0335568 A1 12/2013 Tang  
 2014/0125754 A1 5/2014 Haywood  
 2014/0301729 A1 10/2014 Okamura  
 2015/0022618 A1 1/2015 Siminoff  
 2015/0049191 A1 2/2015 Scalisi  
 2015/0228167 A1 8/2015 Scalisi  
 2016/0191864 A1 6/2016 Siminoff  
 2016/0284170 A1 9/2016 Kasmir  
 2016/0300476 A1 10/2016 Kasmir  
 2017/0048495 A1 2/2017 Scalisi  
 2017/0084131 A1 3/2017 Harrison  
 2017/0084132 A1 3/2017 Scalisi  
 2017/0280109 A1 9/2017 Scalisi  
 2017/0339262 A1 11/2017 Scalisi  
 2017/0373876 A1 12/2017 Scalisi  
 2017/0373877 A1 12/2017 Scalisi  
 2018/0069722 A1 3/2018 Scalisi

OTHER PUBLICATIONS

Glate; DefenDoor by Glate LLC; Downloaded on Dec. 11, 2014 from <URL: <https://www.kickstarter.com/projects/85455040/defendoor-a-home-security-system-that-syncs-with-y>>.  
 Eyetalk; EyeTalk for Home; Downloaded on May 24, 2013 from <URL: <http://www.revolutionaryconceptsinc.com/forhome.html>>.  
 Made in China; Wholesale Wireless Multi Family Music Electric Doorbell Christmas Smart Round Bell Round Chime; Downloaded on Jun. 21, 2018 from <URL: <https://linptechdoorbell.en.made-in-china.com/product/NKAJVuiXCLYj/China-Wholesale-Wireless-Multi-Family-Music-Electric-Doorbell-Christmas-Smart-Round-Bell-Round-Chime.html>>.  
 Youtube; SkyBell Wi-Fi Video Doorbell; Sep. 11, 2015; Downloaded on Jun. 21, 2018 from <URL: <https://www.youtube.com/watch?v=ARQsMkjUYgs>>.  
 Wantitall; Wireless Doorbell, Govee IP66 Waterproof Door Bell Chime Kit with LED Flash, 1 Push Button and 1 Fireproof Plug-in Receiver, 1000 Feet Operating Range, 5 Levels Volume, 38 Melodies to Choose, White; Downloaded Feb. 15, 2019 from <URL: [https://www.wantitall.co.za/tools/wireless-doorbell-govee-ip66-waterproof-door-bell-chime-kit-with-led-flash-1-push-button-and-1-firep\\_b07f1lzmsj](https://www.wantitall.co.za/tools/wireless-doorbell-govee-ip66-waterproof-door-bell-chime-kit-with-led-flash-1-push-button-and-1-firep_b07f1lzmsj)>.  
 Wantitall; Coolqiya Wireless Remote Doorbells Chime with 1 Door Button and 1 Plug in Receiver, No Battery Required for Receiver, Black; Downloaded Feb. 15, 2019 from <URL: [https://www.wantitall.co.za/tools/coolqiya-wireless-remote-doorbells-chime-with-1-door-button-and-1-plug-in-receiver-no-battery-quir\\_b07I3vnc3n](https://www.wantitall.co.za/tools/coolqiya-wireless-remote-doorbells-chime-with-1-door-button-and-1-plug-in-receiver-no-battery-quir_b07I3vnc3n)>.  
 Chewy; Mighty Paw Smart Bell 2.0 Potty Training Dog Doorbell, White; Downloaded Feb. 15, 2019 from <URL: <https://www.chewy.com/mighty-paw-smart-bell-20-potty/dp/162573>>.  
 Amazon; Self Powered Wireless Doorbell Kit: 1 Remote Button and 1 Plug in Receiver with 38 Chimes and LED Indicator, No Batteries Required for Remote Button and Receiver, Linbell G3 with learning Code; Mar. 27, 2017; Downloaded Feb. 15, 2019 from <URL: [https://www.amazon.com/Self-Powered-Wireless-Doorbell-Kit/dp/B06XWBMH4G/ref=sr\\_1\\_359?s=lamps-light&ie=UTF8&qid=1548376997&sr=1-359&keywords=doorbell+chime](https://www.amazon.com/Self-Powered-Wireless-Doorbell-Kit/dp/B06XWBMH4G/ref=sr_1_359?s=lamps-light&ie=UTF8&qid=1548376997&sr=1-359&keywords=doorbell+chime)>.  
 Amazon; Plug-in Night Light, Light Sensitive, Low Light Warm LED Nightlight with Sensor, Daylight White, Round, Soft Glow, 4 Pack, for Indoor Use; Aug. 13, 2018; Downloaded Feb. 15, 2019 from <URL: <https://www.amazon.com/Bedroom-Bathroom-Kitchen->

(56)

**References Cited**

OTHER PUBLICATIONS

Daylight-M1801/dp/B07GDPFLM3/ref=sr\_1\_28?ie=UTF8&qid=1548377192&sr=8-28&keywords=round+night+light>.

\* cited by examiner

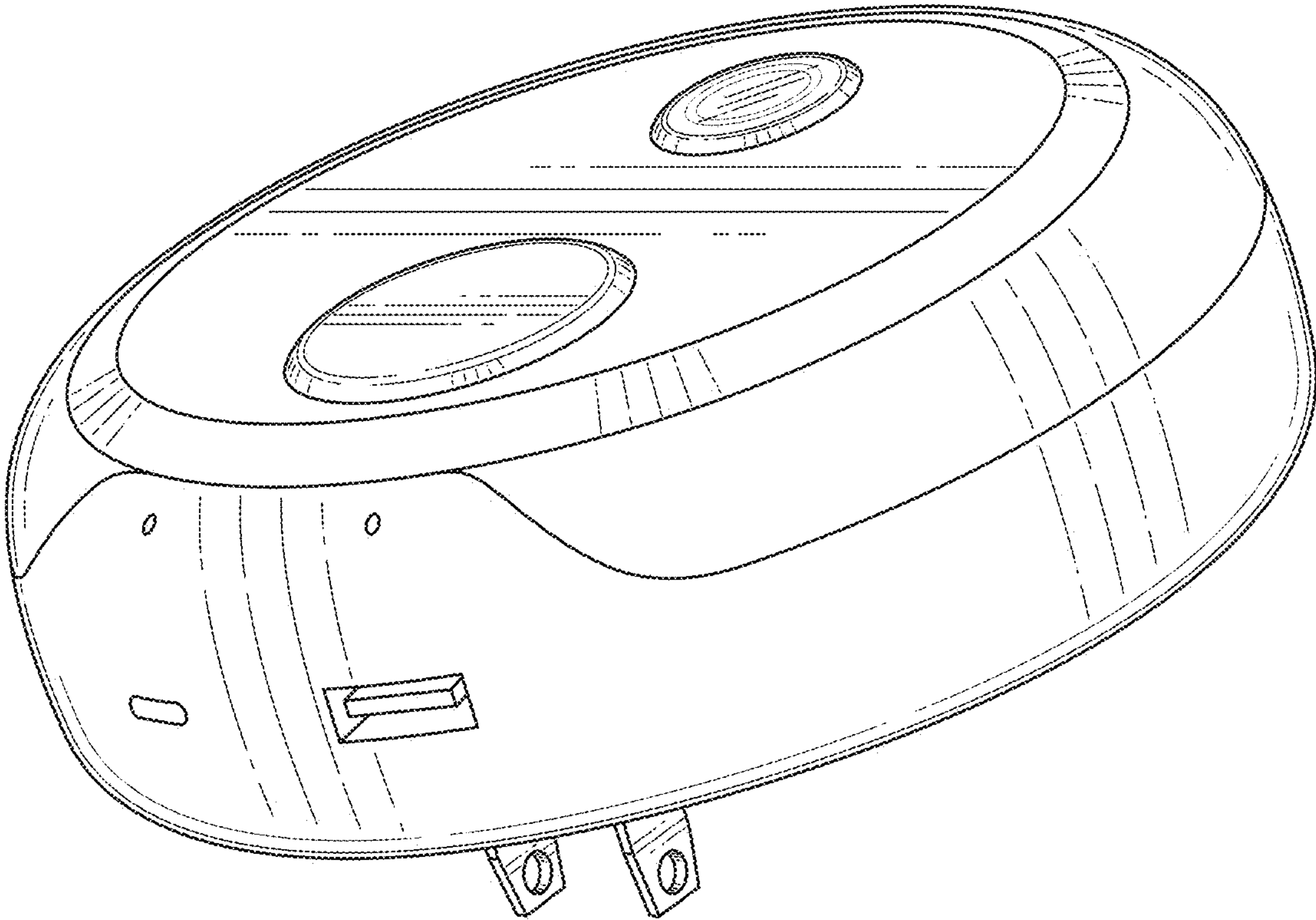


FIG. 1

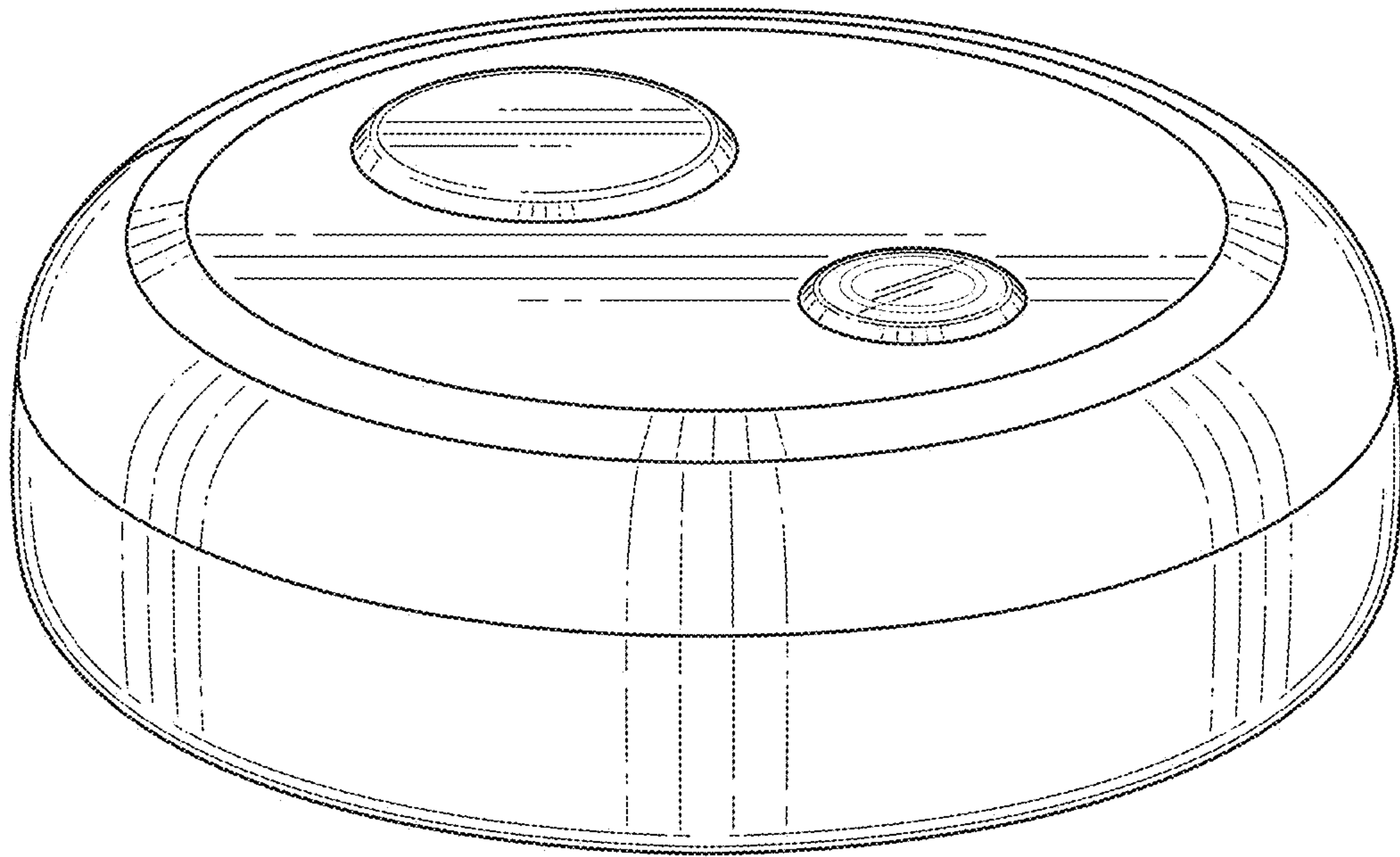


FIG. 2



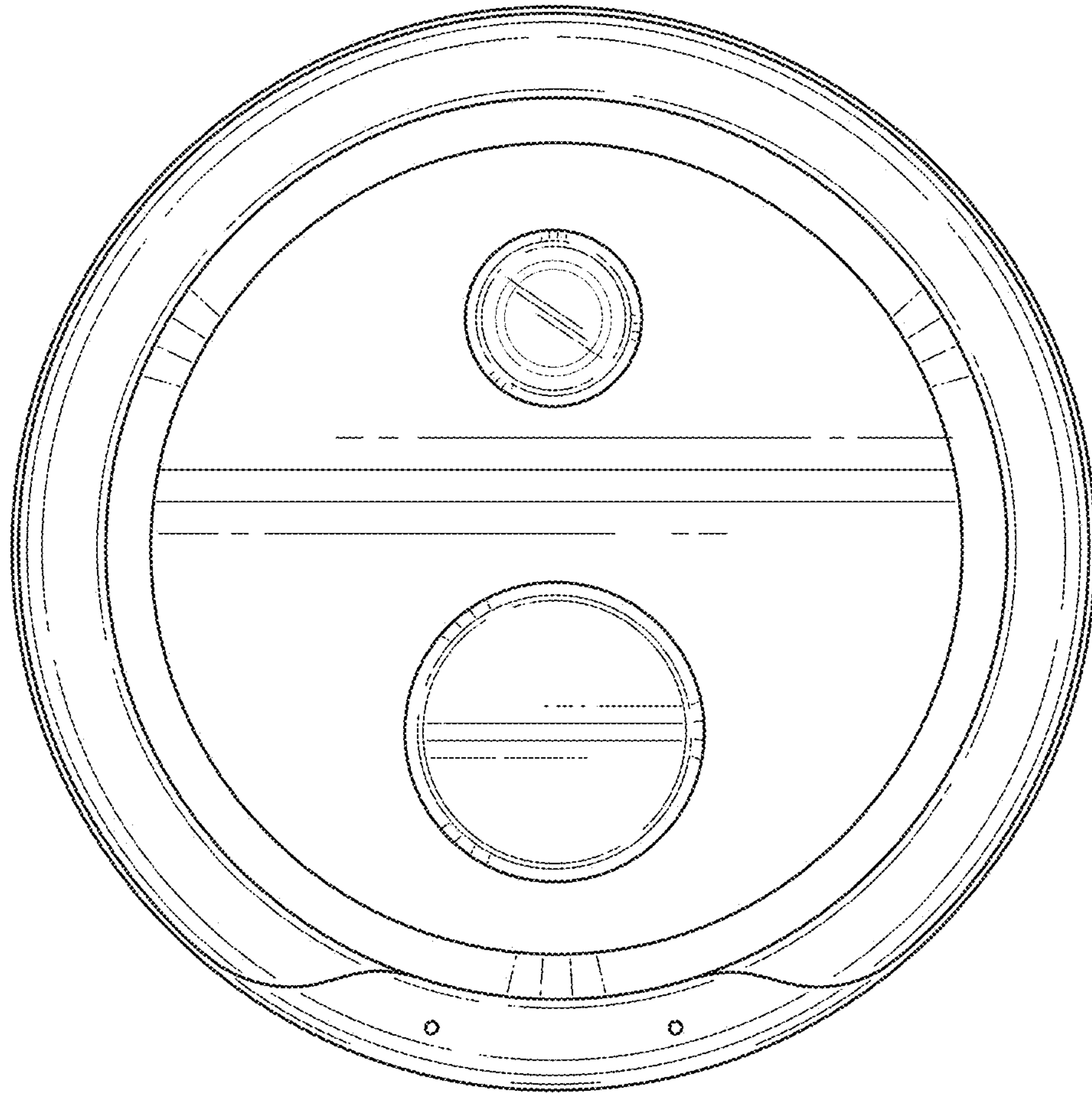


FIG. 3

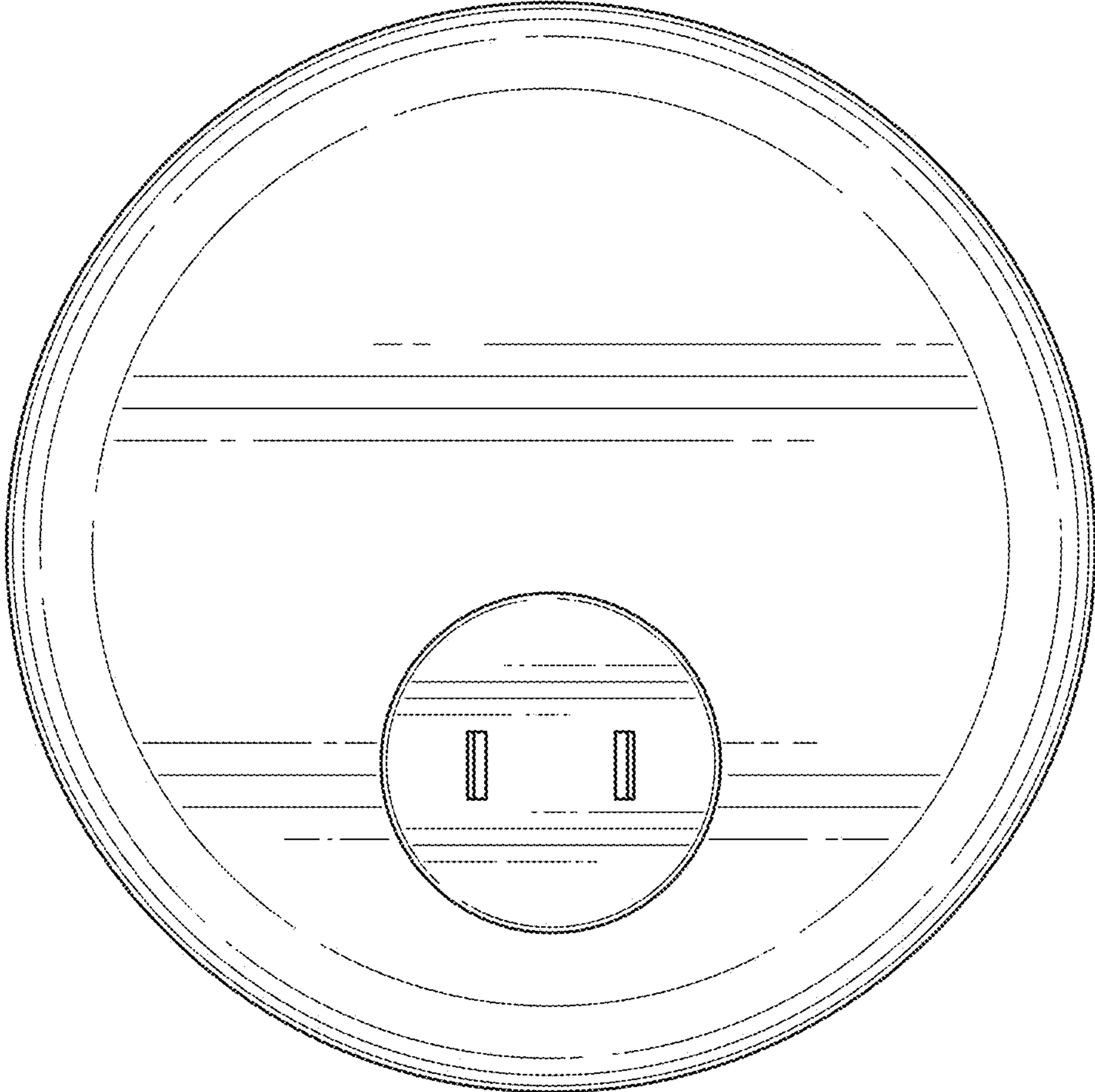


FIG. 4

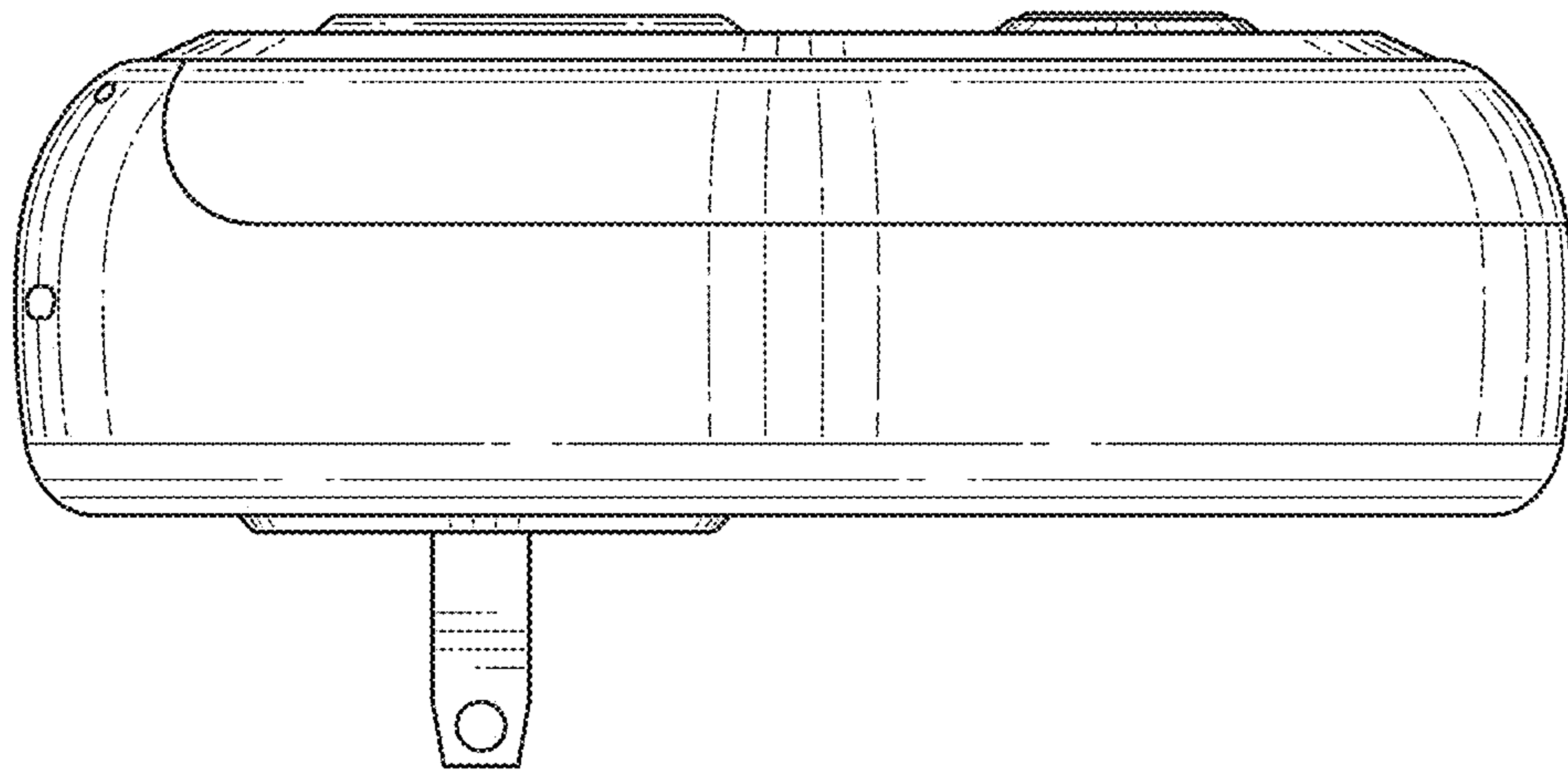


FIG. 5



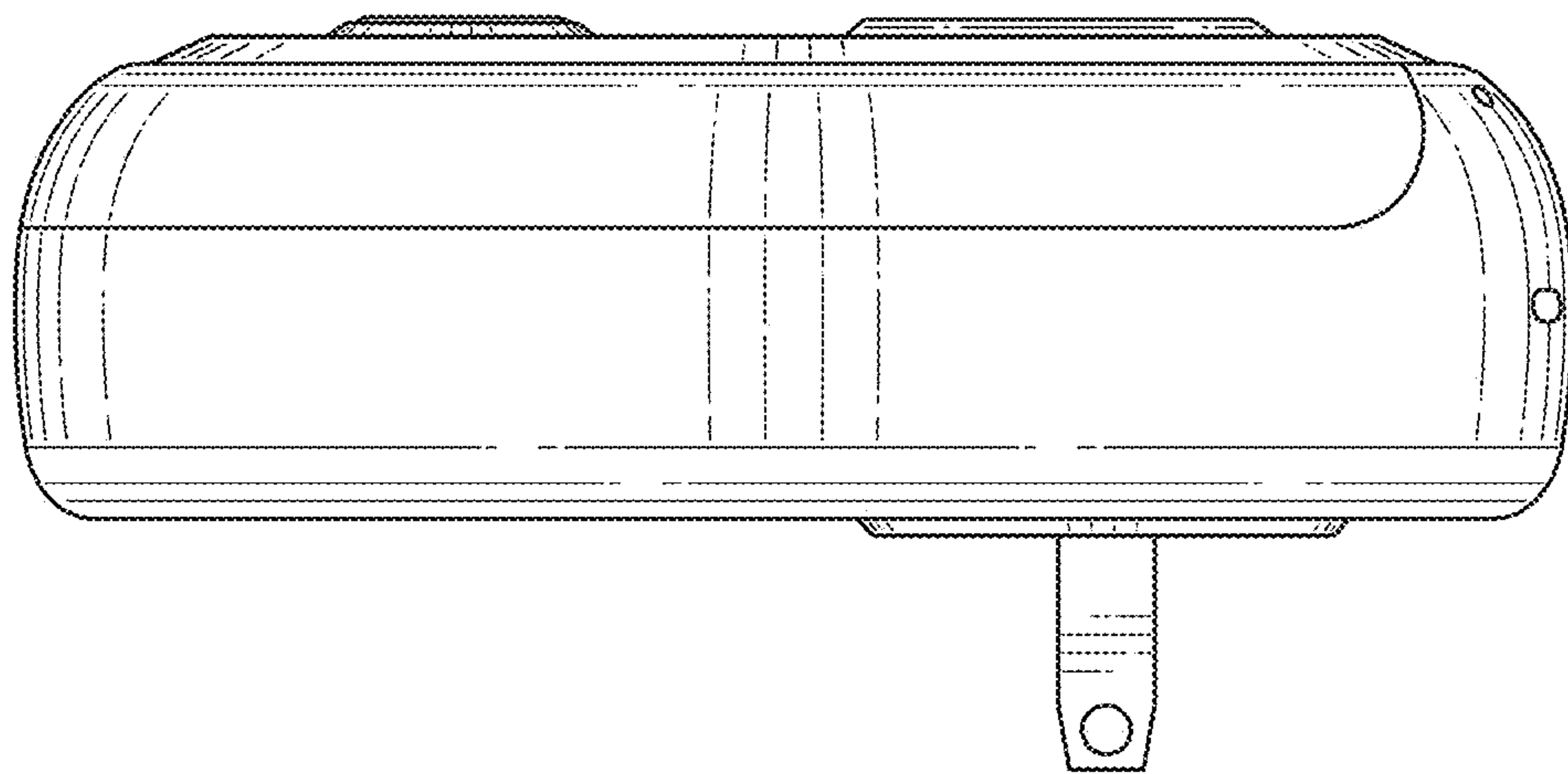


FIG. 6

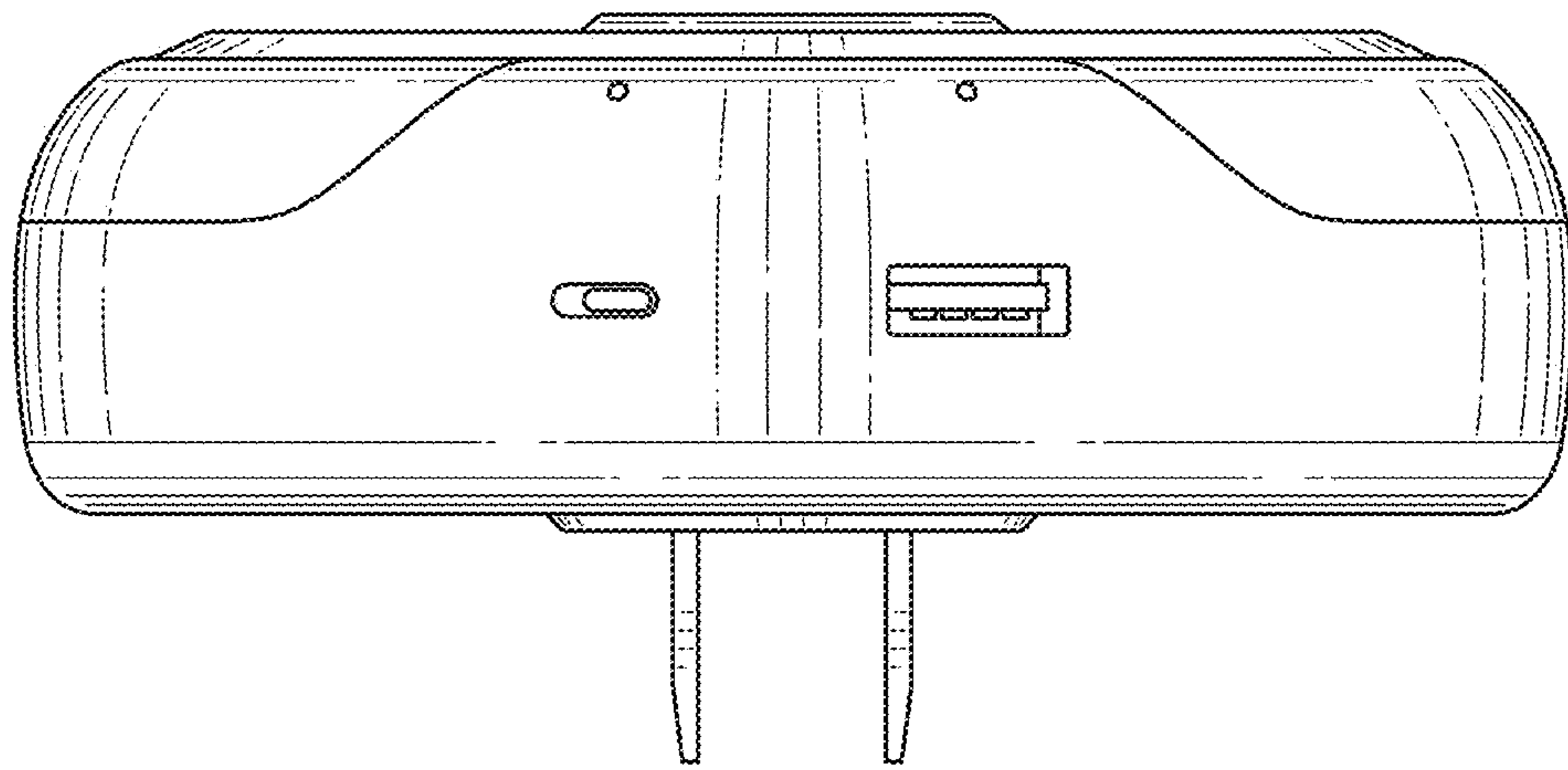


FIG. 7

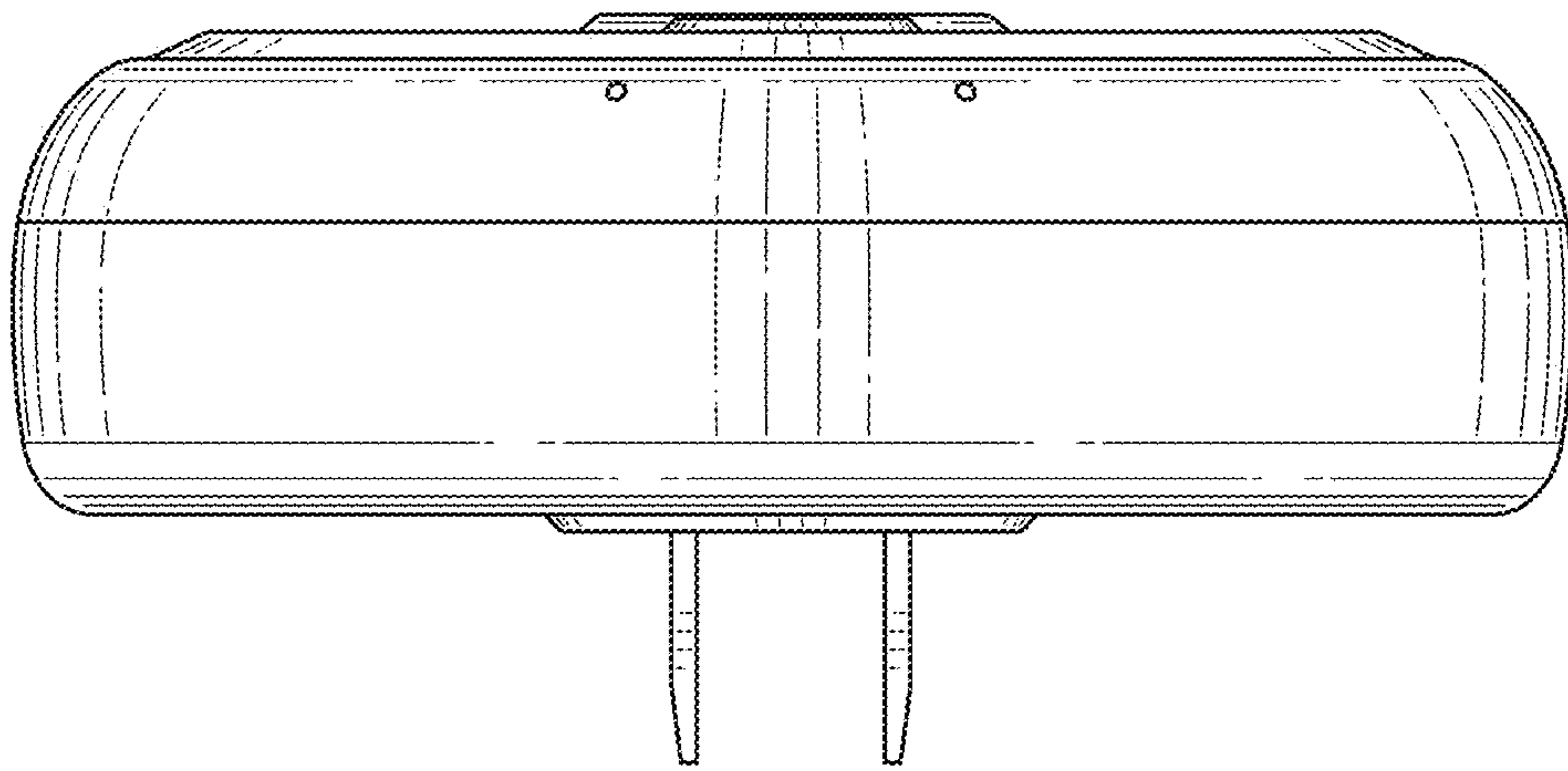


FIG. 8