



US00D912122S

(12) **United States Design Patent**
McManigal et al.

(10) **Patent No.:** **US D912,122 S**
(45) **Date of Patent:** **** Mar. 2, 2021**

(54) **CAMERA**

(71) Applicant: **Arlo Technologies, Inc.**, Carlsbad, CA (US)

(72) Inventors: **Scott McManigal**, Newport Beach, CA (US); **Christopher Fonzo**, Carlsbad, CA (US); **David Tong**, San Diego, CA (US); **Glen Oross**, San Diego, CA (US); **Beau Oyler**, Walnut Creek, CA (US); **Dayne Tanner**, Concord, CA (US)

(73) Assignee: **Arlo Technologies, Inc.**, Carlsbad, CA (US)

(**) Term: **15 Years**

(21) Appl. No.: **29/718,892**

(22) Filed: **Dec. 30, 2019**

(51) **LOC (13) Cl.** **16-01**

(52) **U.S. Cl.**
USPC **D16/203; D16/218**

(58) **Field of Classification Search**
USPC D16/200–204, 208, 218, 219; 348/143, 348/148, 151, 360, 373–376; 396/419, 396/427–429, 433, 529, 535, 537–541
CPC G03B 15/03; G03B 17/02; G03B 17/04; G03B 17/48; G03B 17/56; G03B 19/04; G08G 1/0175; H04N 5/2251; H04N 5/2252; H04N 5/2253; H04N 5/2254
See application file for complete search history.

(56) **References Cited**

U.S. PATENT DOCUMENTS

D455,768 S 4/2002 Tsang et al.
D463,809 S * 10/2002 Lo D16/202
D465,504 S 11/2002 Van Klinken
D480,099 S 9/2003 Zou et al.
D532,809 S * 11/2006 Shih D16/218

D556,233 S 11/2007 Webb et al.
D629,436 S 12/2010 Cheng et al.
D648,362 S 11/2011 Byun
D697,122 S 1/2014 Ikegame
D707,746 S 6/2014 Sakai
D709,543 S 7/2014 Isozaki
D737,356 S 8/2015 Tabuchi
D744,572 S 12/2015 Tabuchi
D785,067 S 4/2017 Ramones et al.
D803,924 S * 11/2017 Martin D16/218
D805,570 S * 12/2017 Shi D16/202
D813,925 S * 3/2018 Park D16/203

(Continued)

OTHER PUBLICATIONS

U.S. Appl. No. 16/225,625; filed Dec. 19, 2018; for “Modular Camera System”; 41 pages.

(Continued)

Primary Examiner — Ramzi S Almatrahi

(74) *Attorney, Agent, or Firm* — Boyle Fredrickson S.C.

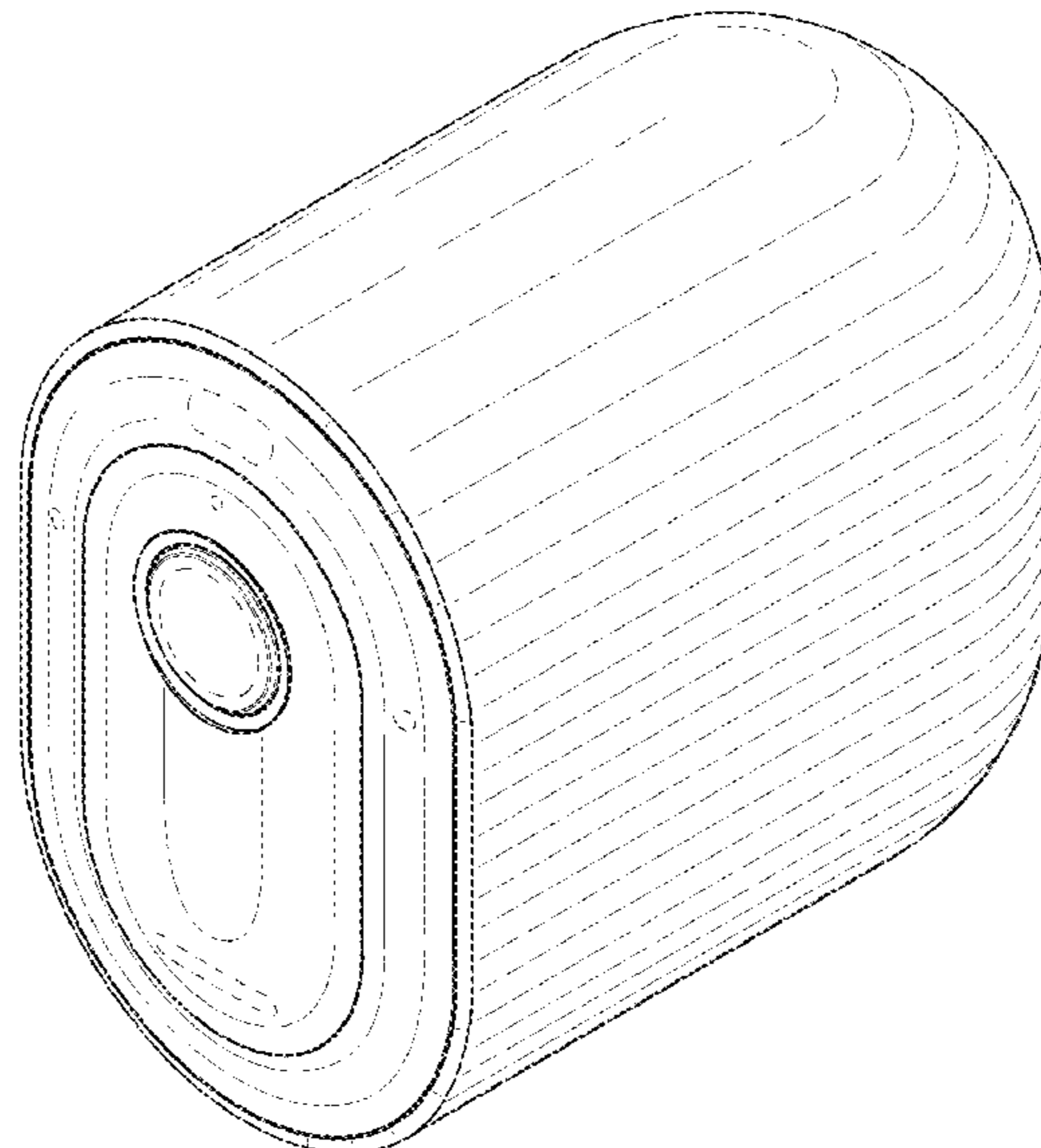
(57) **CLAIM**

The ornamental design for a camera, as shown and described.

DESCRIPTION

FIG. 1 is a top, front, right side perspective view of a camera showing our new design;
FIG. 2 is a front elevation view thereof;
FIG. 3 is a rear elevation view thereof;
FIG. 4 is a right-side elevation view thereof;
FIG. 5 is a left-side elevation view thereof;
FIG. 6 is a top plan view thereof; and,
FIG. 7 is a bottom plan view thereof.
The broken lines depict portions of the camera in which the design is embodied that form no part of the claimed design. Additionally, the dash-dot lines denote the boundary of the claim and form no part of the claimed design.

1 Claim, 7 Drawing Sheets



(56)

References Cited

U.S. PATENT DOCUMENTS

D841,720	S	*	2/2019	Ramones	D16/237
D863,398	S	*	10/2019	Huang	D16/203
D863,404	S	*	10/2019	Karpenko	D16/218
D886,177	S	*	6/2020	Ramones	D16/203
D894,994	S	*	9/2020	Yu	D16/218
D898,802	S	*	10/2020	Liu	D16/218
2013/0107110	A1		5/2013	Park et al.		

OTHER PUBLICATIONS

U.S. Appl. No. 29/673,606; filed Dec. 17, 2018; for "Camera Housing"; 12 pages.

* cited by examiner

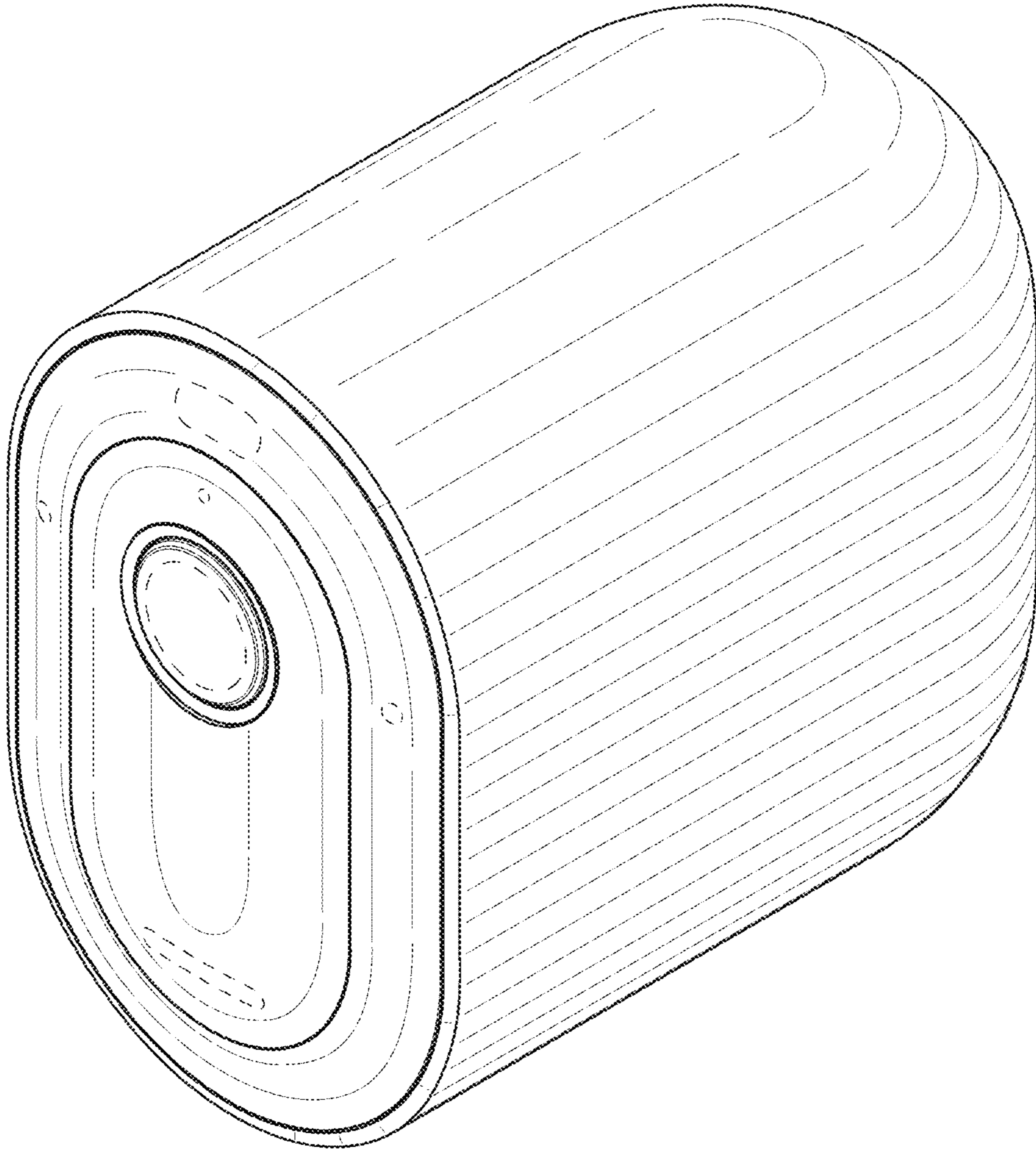


FIG. 1

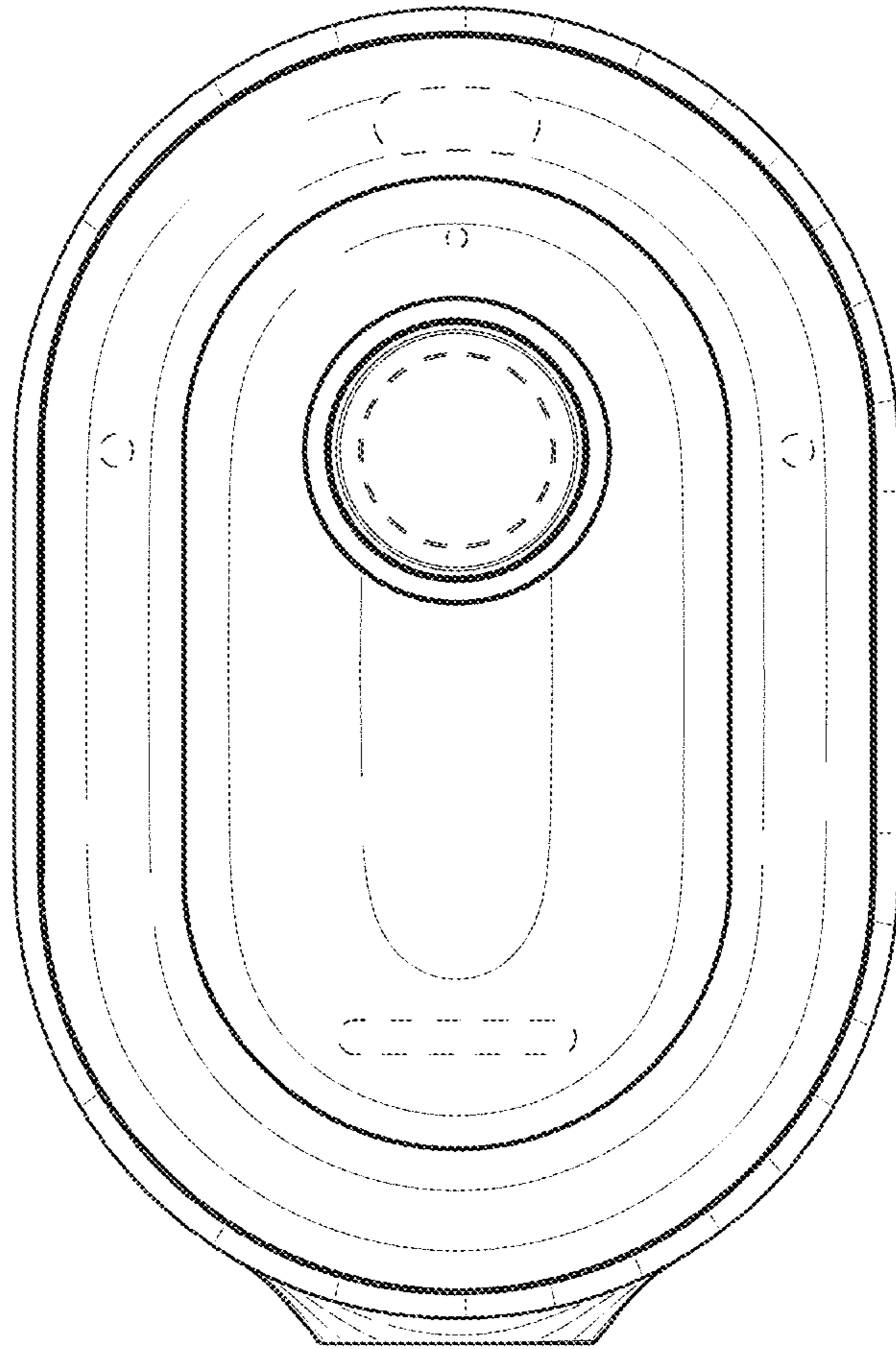


FIG. 2

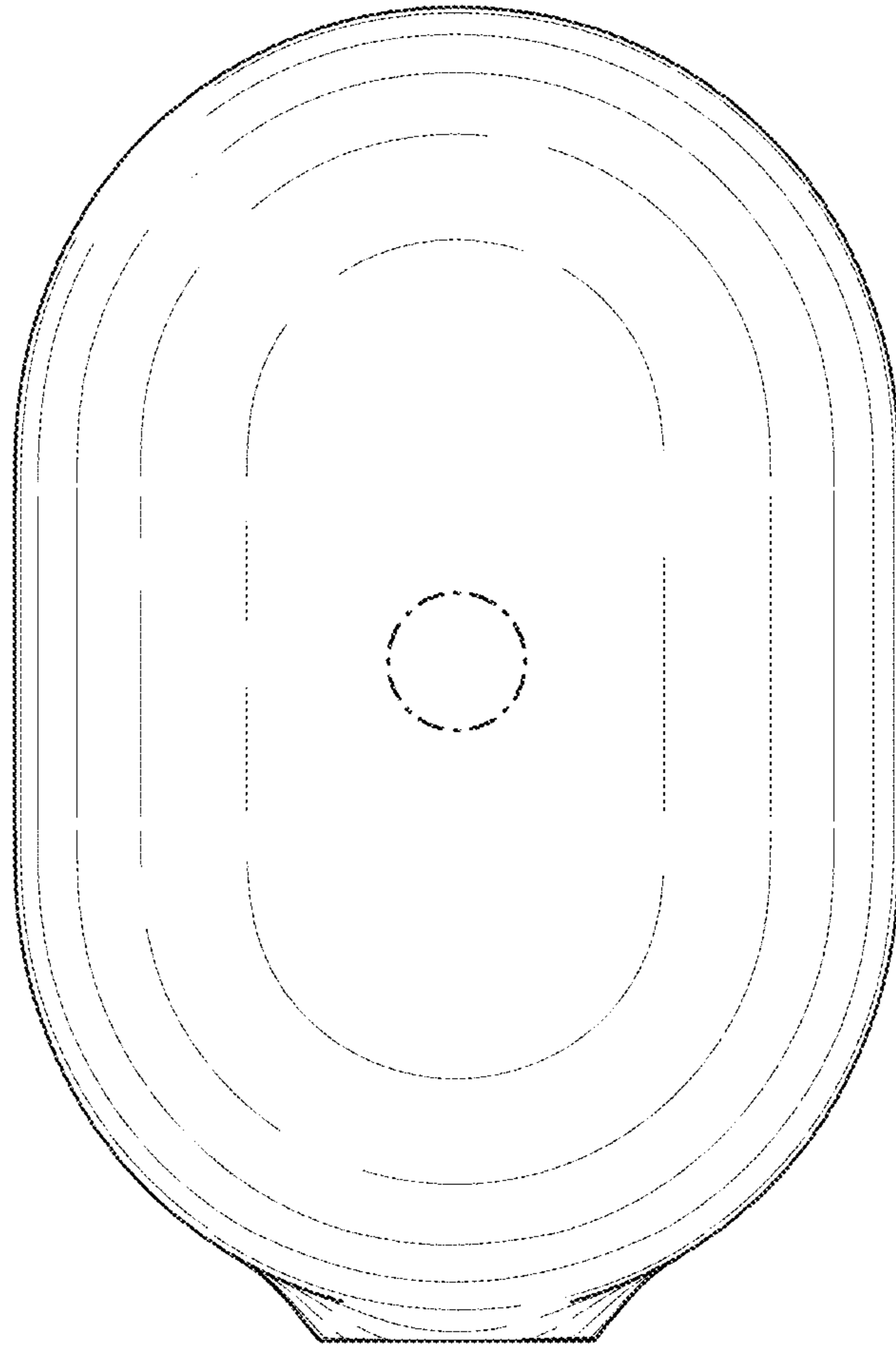


FIG. 3

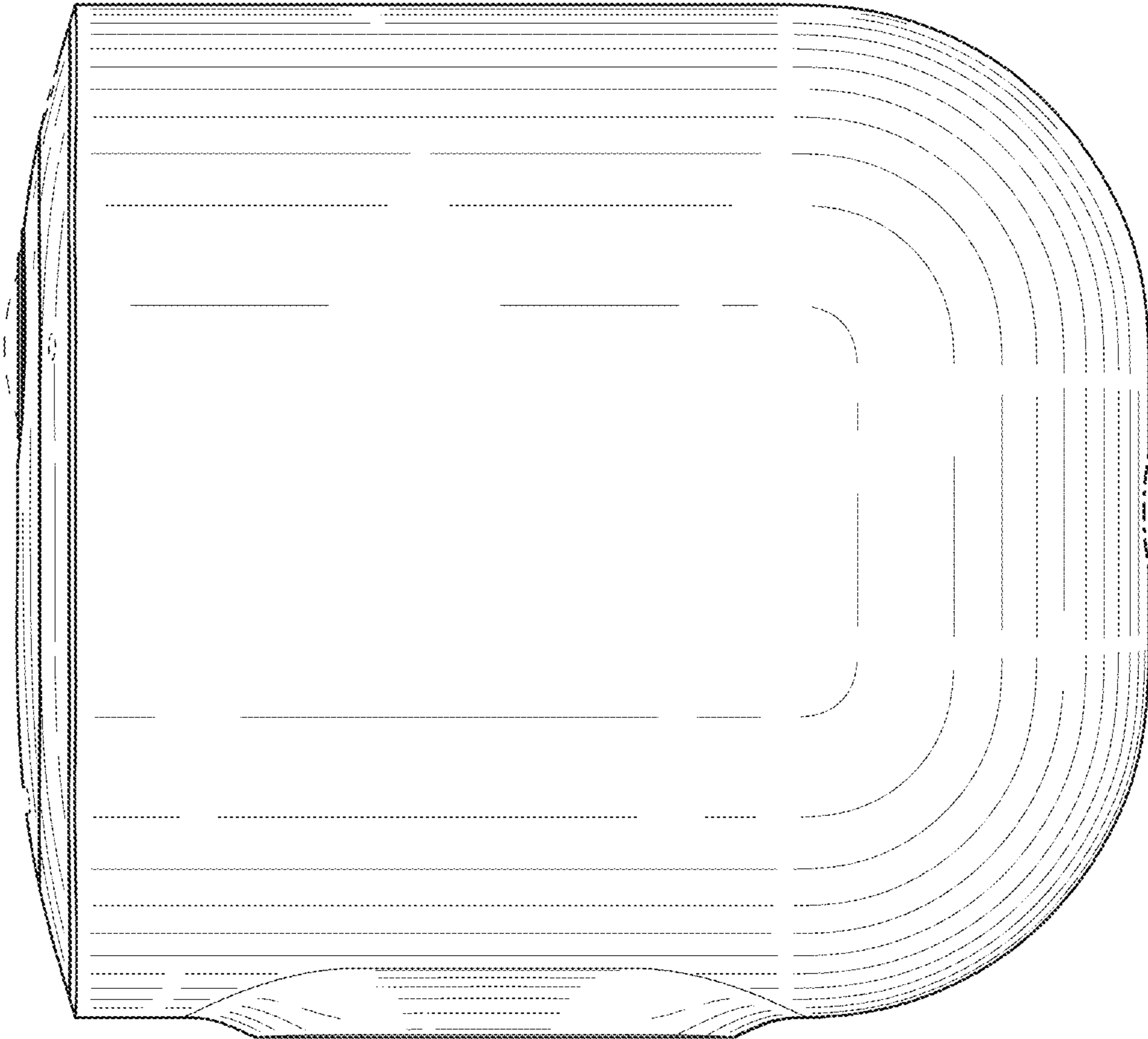


FIG. 4

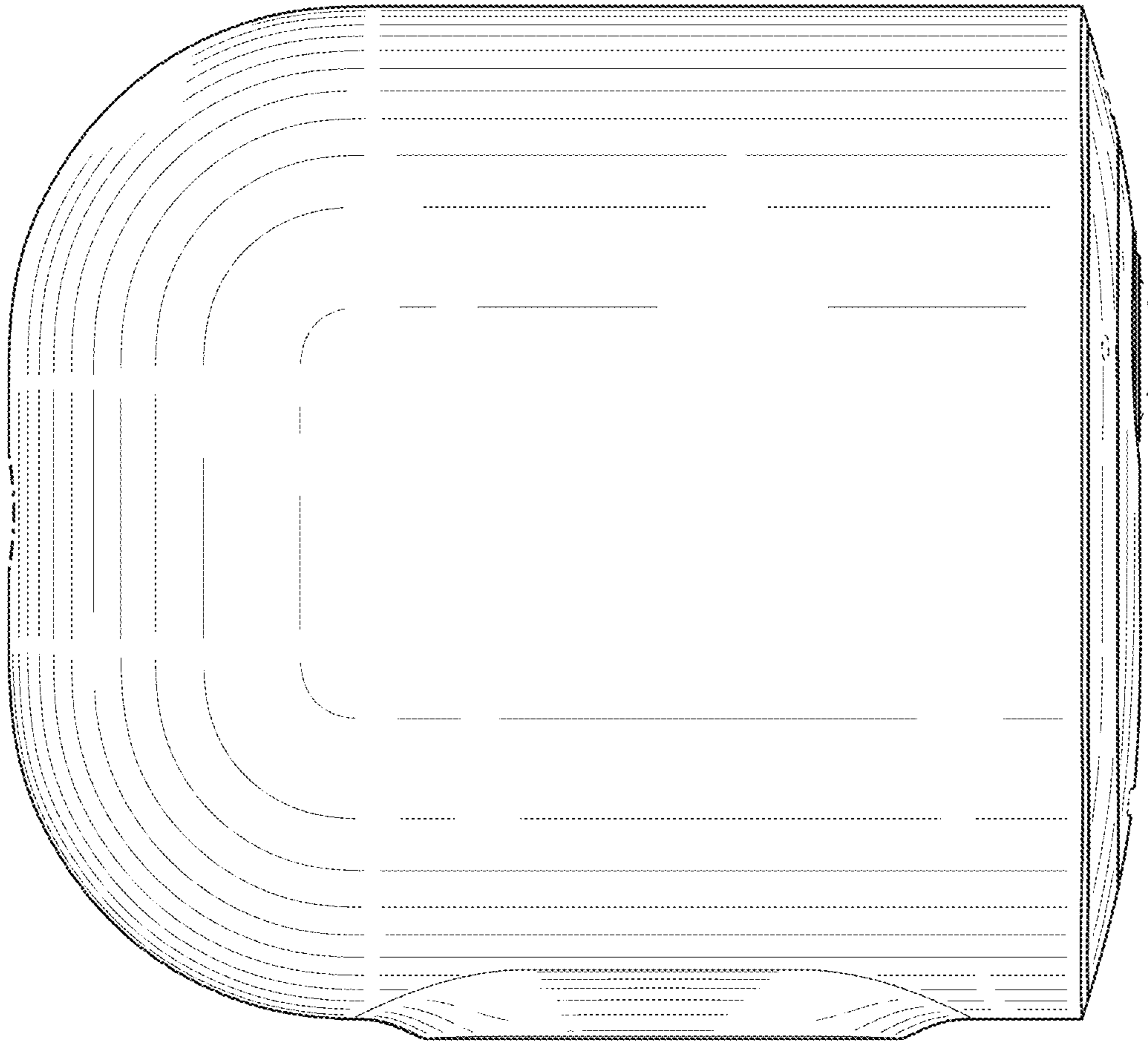


FIG. 5

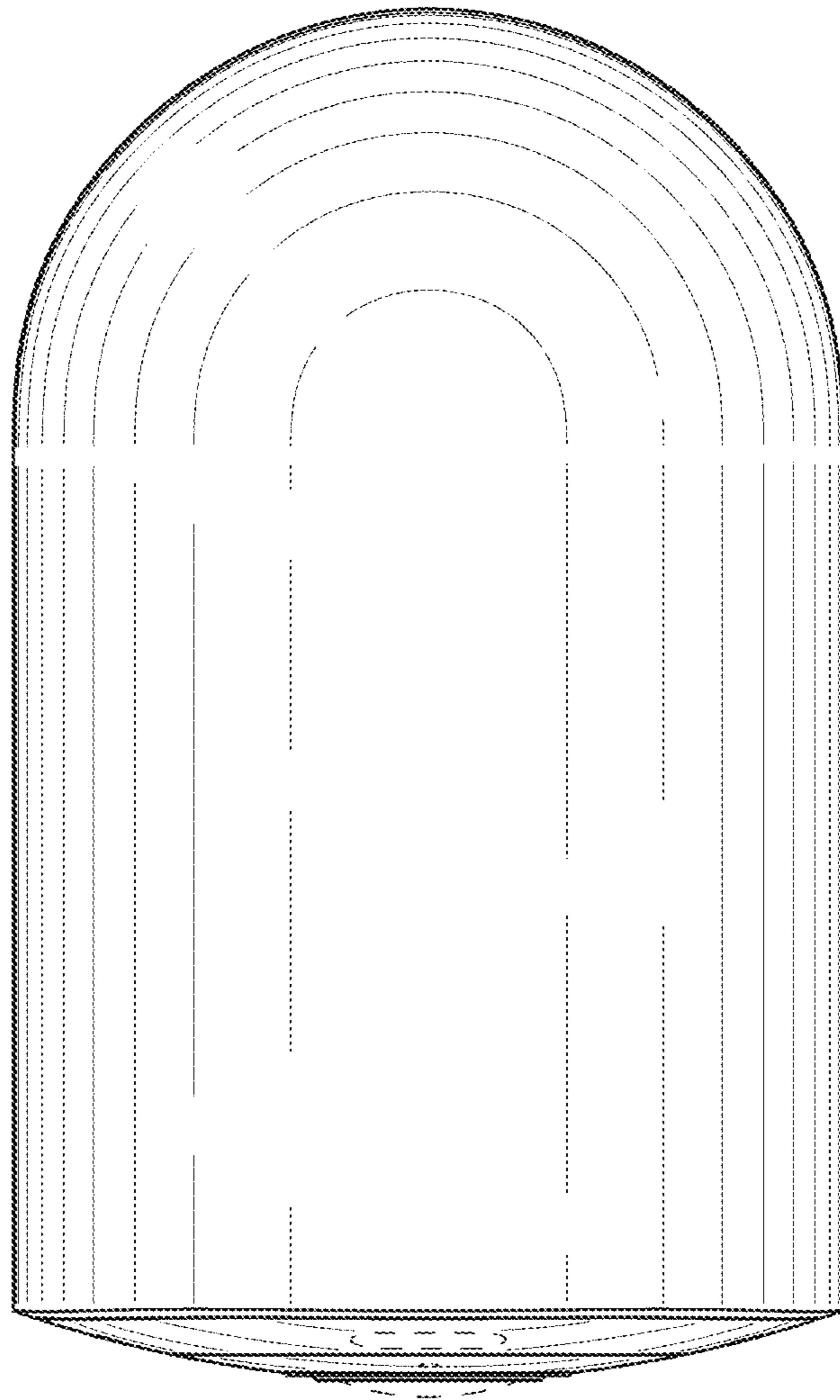


FIG. 6

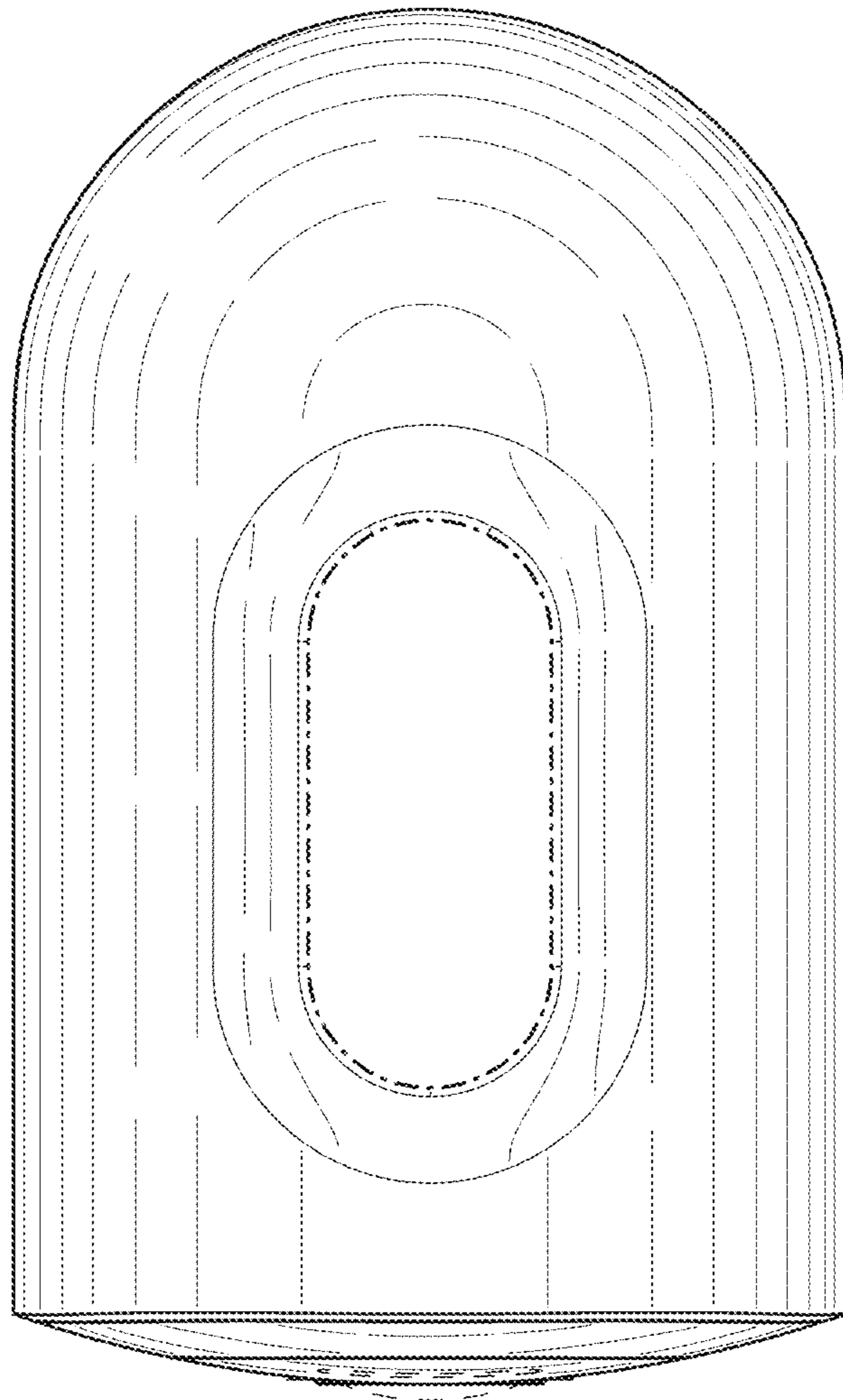


FIG. 7