



US00D912121S

(12) **United States Design Patent**
Han

(10) **Patent No.:** **US D912,121 S**
(45) **Date of Patent:** **** Mar. 2, 2021**

(54) **SMART CAMERA**

(71) Applicant: **Hangzhou Vision Insight Technology Co., Ltd., Zhejiang (CN)**

(72) Inventor: **Fang Han, Zhejiang (CN)**

(73) Assignee: **Hangzhou Vision Insight Technology Co., Ltd., Hangzhou (CN)**

(**) Term: **15 Years**

(21) Appl. No.: **29/675,869**

(22) Filed: **Jan. 6, 2019**

(51) **LOC (13) Cl.** **16-01**

(52) **U.S. Cl.**
USPC **D16/203**

(58) **Field of Classification Search**
USPC D16/200–220, 131, 132, 237, 242, 239, D16/250, 235, 130, 134, 136, 238; D14/417, 138 C, 240, 248, 203.1, 203.3, D14/203.7, 218, 207, 440, 402, 454, 407, D14/408, 480.3, 480.1, 483; D12/187; D10/31, 104.1, 50, 65, 74, 70, 118.2, 66; D26/118, 113

CPC . G02B 7/02; G02B 7/021; G02B 7/04; G02B 7/14; G02B 7/003; G02B 7/008; G02B 13/06; G03B 17/00; G03B 17/02; G03B 17/56; G03B 17/04; G03B 17/14; G03B 17/08; G03B 15/03; G03B 15/06; H04N 1/00981; H04N 5/2251; H04N 5/2252; H04N 5/2253; H04N 5/2254; H04N 5/23238; H04N 7/00; H04N 13/239; H04N 2101/00; F16M 13/00

See application file for complete search history.

(56) **References Cited**

U.S. PATENT DOCUMENTS

D349,714 S * 8/1994 Hasegawa D16/203
D472,255 S * 3/2003 Stapleton D16/130

D543,212 S * 5/2007 Marks D14/388
D729,296 S * 5/2015 Shelton D16/202
D740,871 S * 10/2015 Moon D16/203
D746,350 S * 12/2015 Li D16/203
D749,661 S * 2/2016 Yang D16/203
D754,233 S * 4/2016 Du D16/211
D757,835 S * 5/2016 Tabuchi D16/203
D785,693 S * 5/2017 Kim D16/202
D798,360 S * 9/2017 Jeong D16/203
D798,365 S * 9/2017 Glazer D16/242
D801,406 S * 10/2017 Jeong D16/203
D813,289 S * 3/2018 Laffon de Mazieres D16/202
D815,177 S * 4/2018 Jeong D16/203
D816,142 S * 4/2018 Song D16/203
D825,637 S * 8/2018 Moon D16/203
D828,426 S * 9/2018 Li D16/202
D830,443 S * 10/2018 Borel D16/203

(Continued)

FOREIGN PATENT DOCUMENTS

CN 304952503 * 12/2018

Primary Examiner — George D. Kirschbaum

Assistant Examiner — Mary Claire Ramirez

(57) **CLAIM**

The ornamental design for a smart camera, as shown and described.

DESCRIPTION

FIG. 1 is a perspective view of a smart camera showing my new design;

FIG. 2 is another perspective view thereof;

FIG. 3 is a front elevation view thereof;

FIG. 4 is a back elevation view thereof;

FIG. 5 is a right side view thereof;

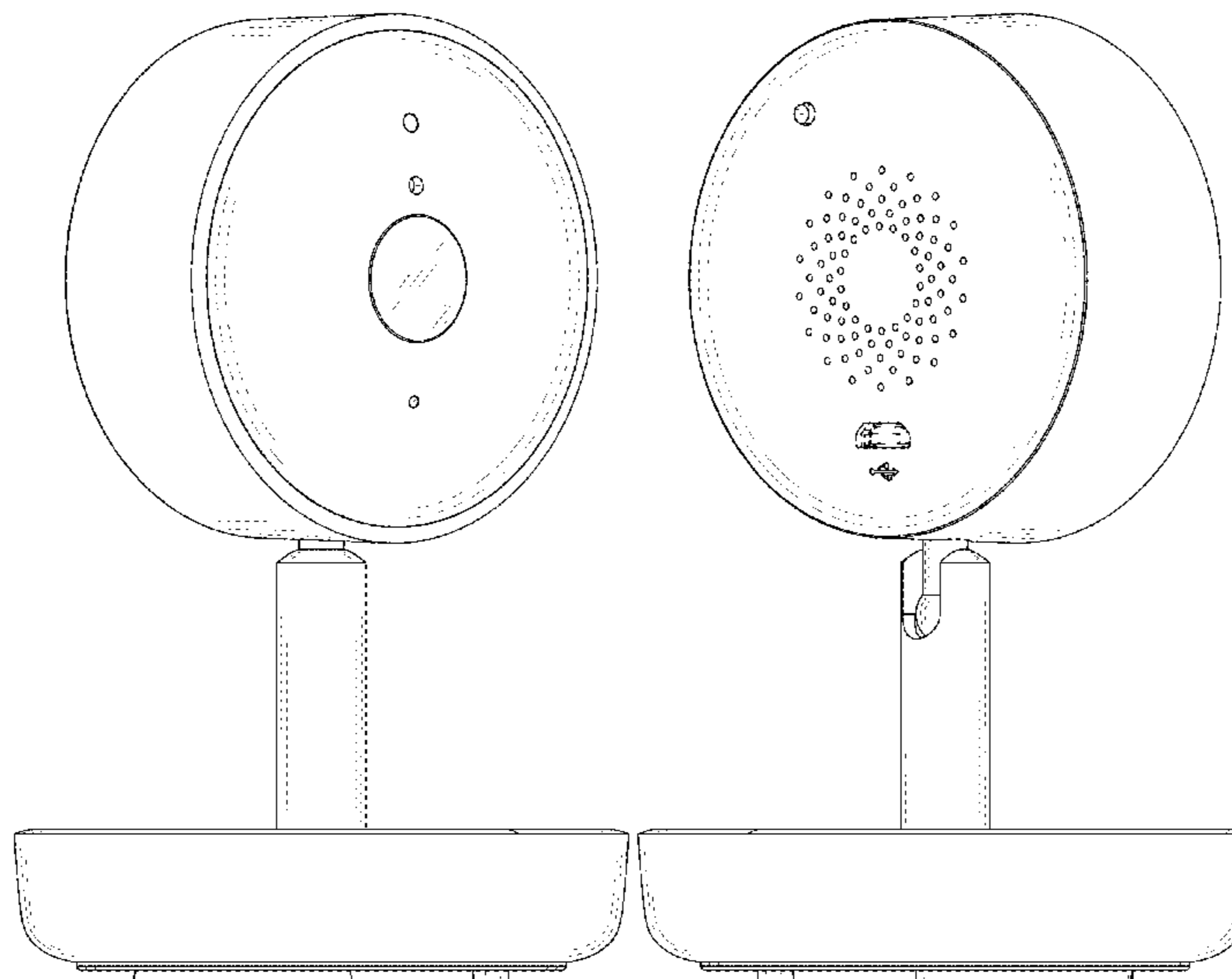
FIG. 6 is a left side view thereof;

FIG. 7 is a bottom plan view thereof; and,

FIG. 8 is a top plan view thereof.

The broken lines in the drawings depict portions of the smart camera and form no part of the claimed design.

1 Claim, 8 Drawing Sheets



(56)

References Cited

U.S. PATENT DOCUMENTS

D831,089 S * 10/2018 Laffon de Mazieres D16/202
D836,147 S * 12/2018 Rao D16/203
D836,698 S * 12/2018 Hathway D16/203
D849,080 S * 5/2019 Rosenberg D16/202
D849,094 S * 5/2019 Gan D16/203
D873,889 S * 1/2020 Ruzs D16/203
2005/0057656 A1 * 3/2005 Chardon H04N 5/2252
348/207.99
2011/0090350 A1 * 4/2011 Oomori H04N 5/2252
348/207.99
2016/0127618 A1 * 5/2016 Bart F16M 13/00
348/373
2019/0320108 A1 * 10/2019 Kim H04N 5/23203
2019/0377165 A1 * 12/2019 Chia H04N 5/2254

* cited by examiner

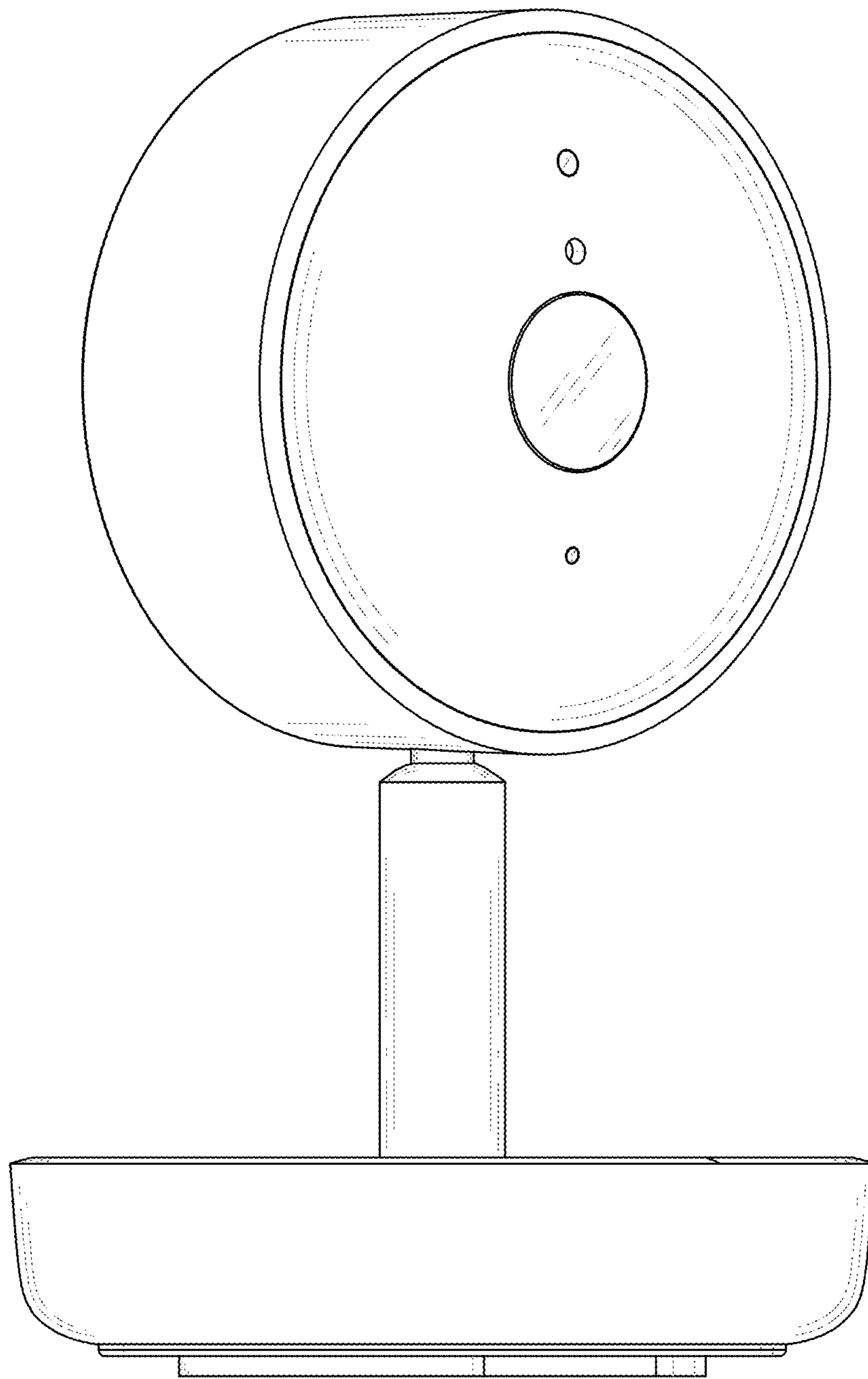


FIG. 1

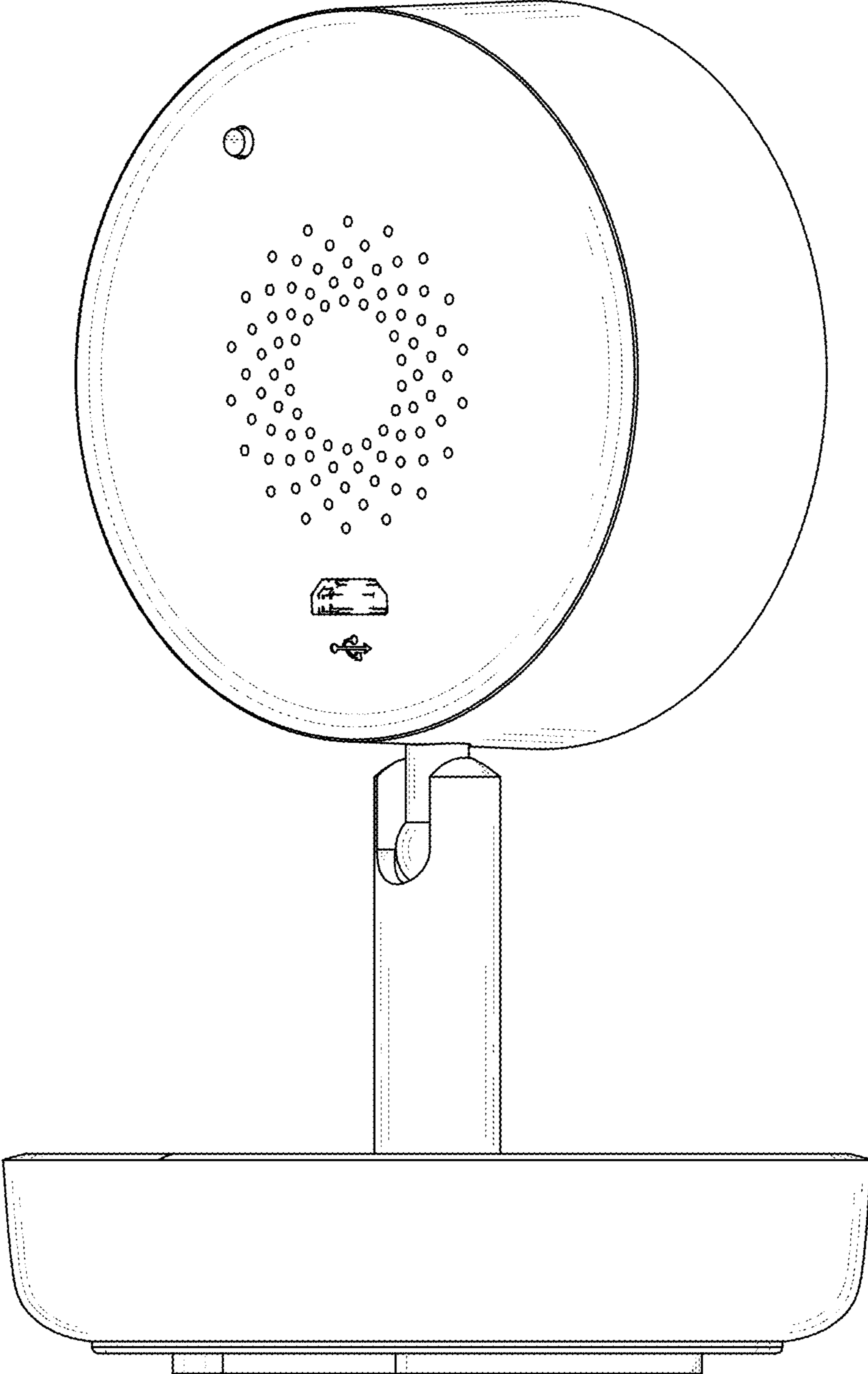


FIG. 2

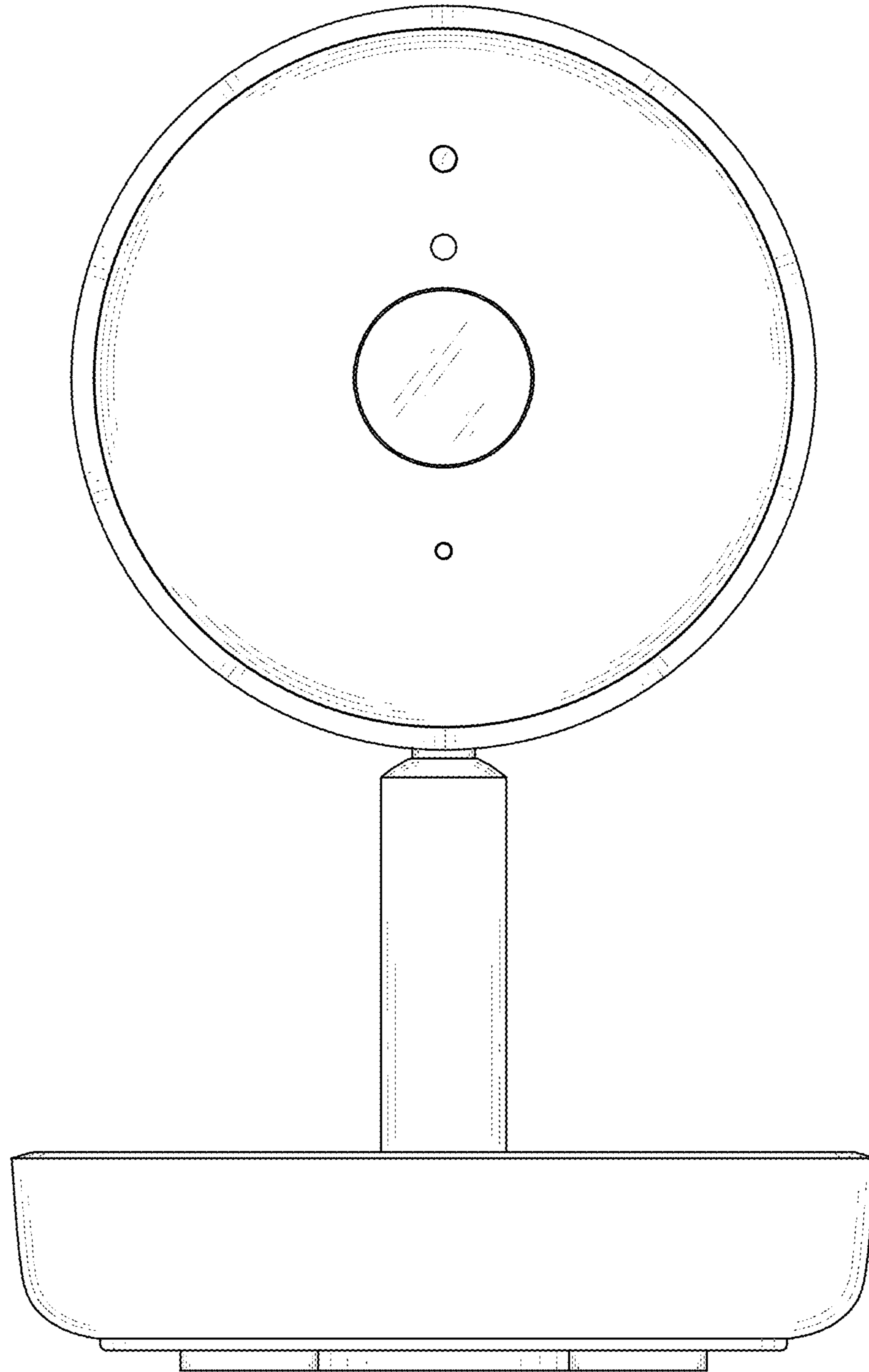


FIG. 3

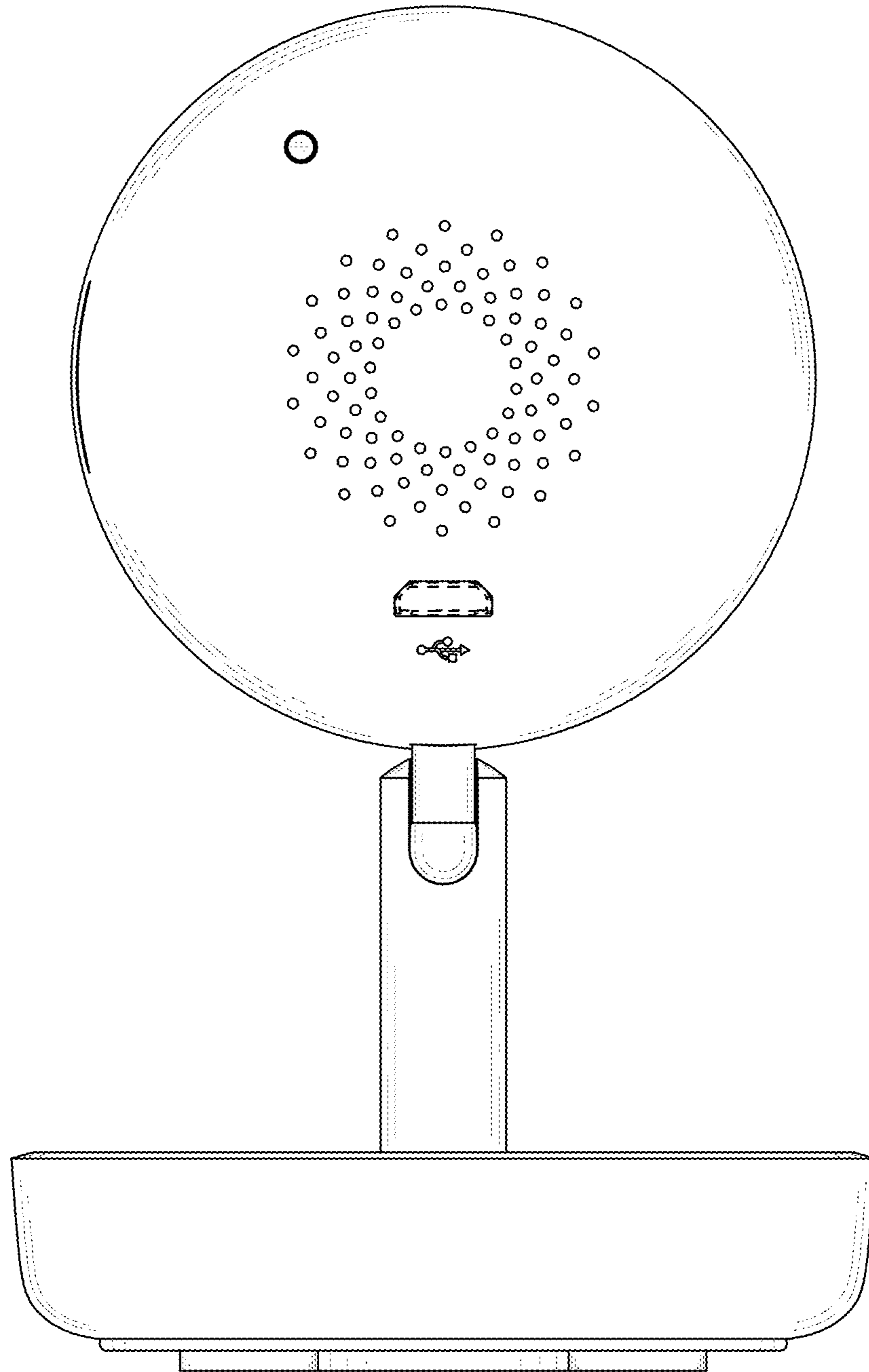


FIG. 4

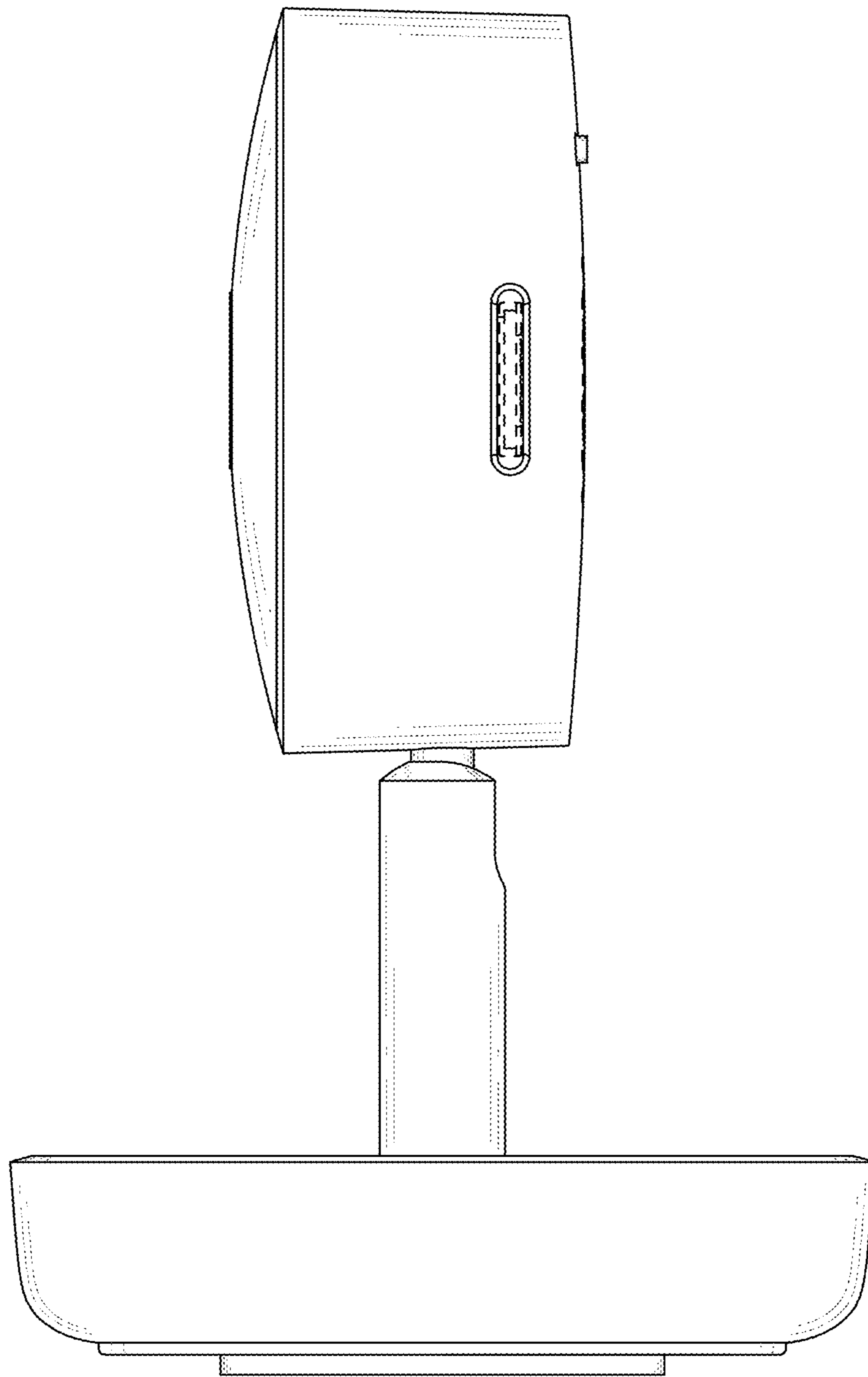


FIG. 5

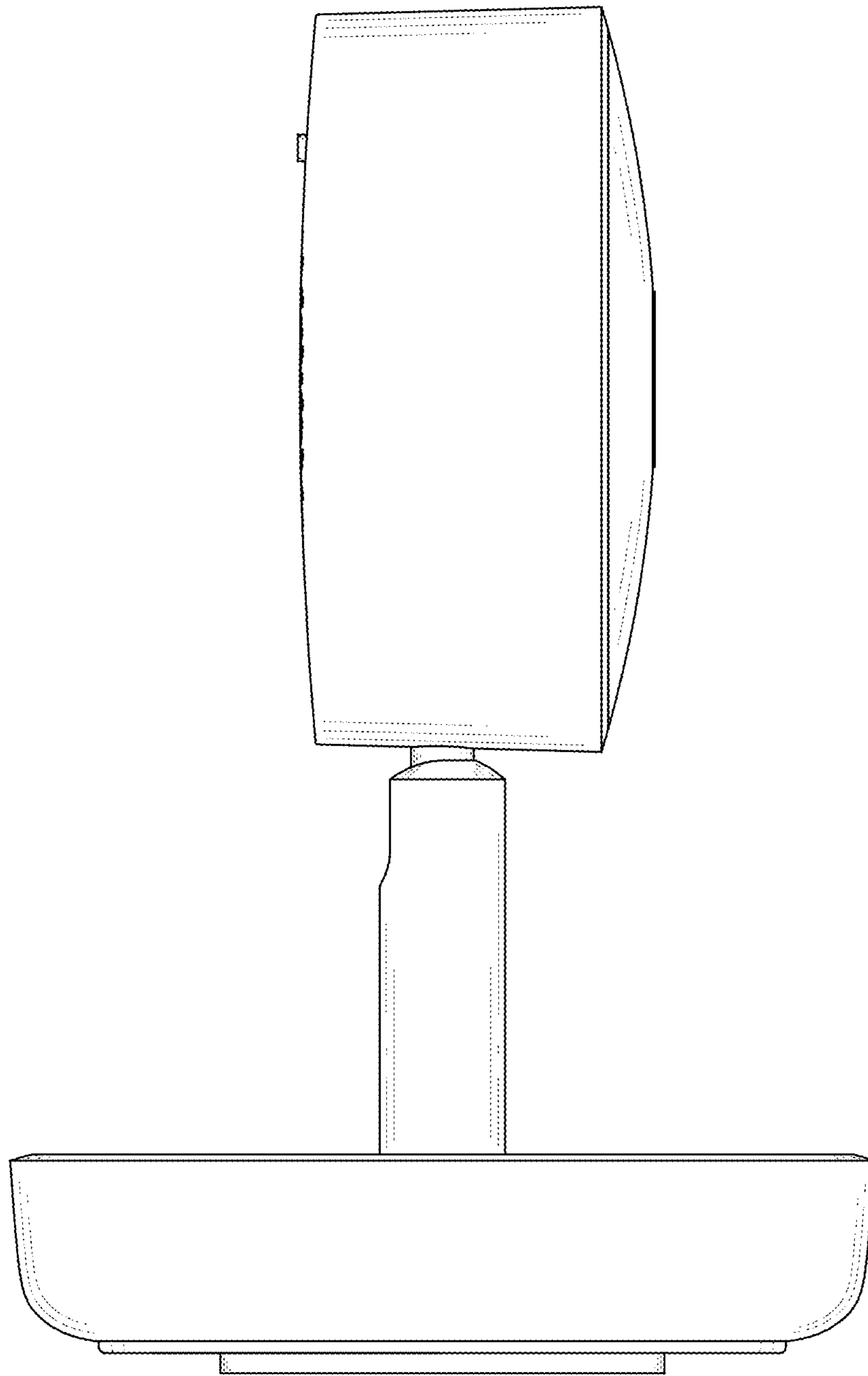


FIG. 6

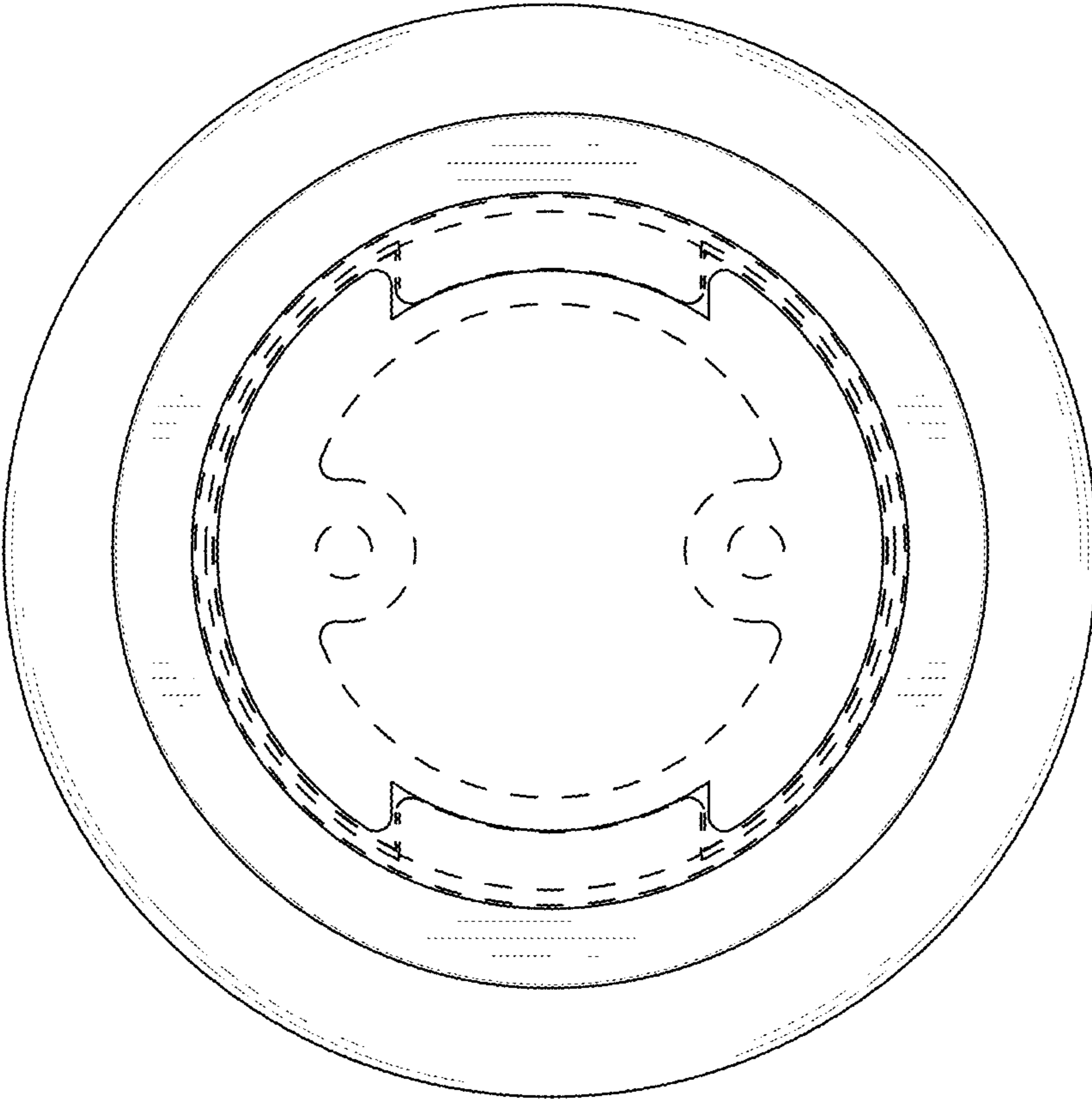


FIG. 7

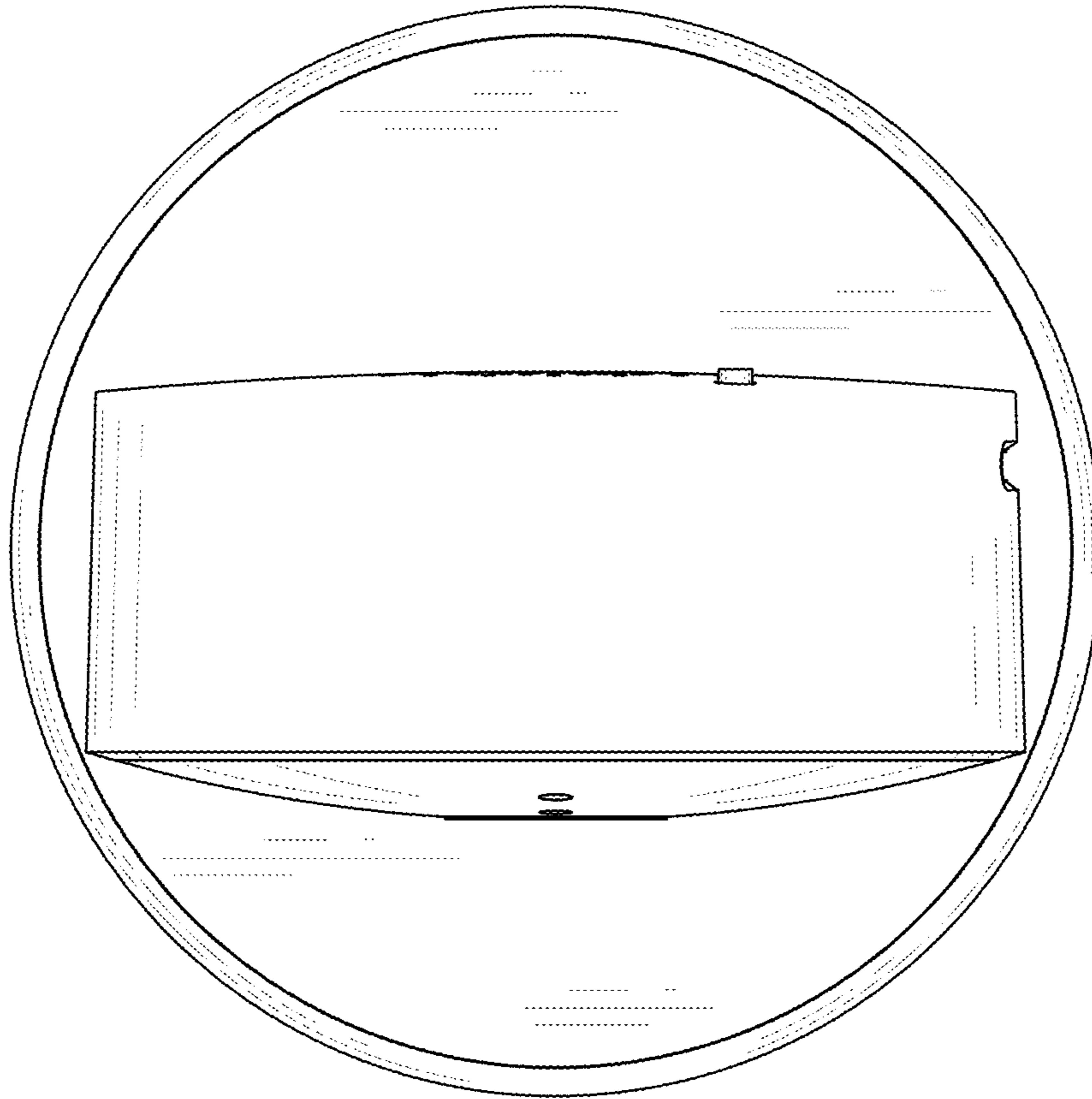


FIG. 8