



US00D912120S

(12) **United States Design Patent**
Druker et al.

(10) **Patent No.:** **US D912,120 S**
(45) **Date of Patent:** **** Mar. 2, 2021**

(54) **CAMERA HOUSING**

(71) Applicant: **GoPro, Inc.**, San Mateo, CA (US)

(72) Inventors: **Joshua T. Druker**, Redwood City, CA (US); **Matthew David Thomas**, Castro Valley, CA (US); **Huy Phuong Nguyen**, San Mateo, CA (US); **Bessy Liang**, San Jose, CA (US); **Daniel J. Coster**, San Francisco, CA (US)

(73) Assignee: **GoPro, Inc.**, San Mateo, CA (US)

(**) Term: **15 Years**

(21) Appl. No.: **29/707,664**

(22) Filed: **Sep. 30, 2019**

(51) **LOC (13) Cl.** **16-01**

(52) **U.S. Cl.**
USPC **D16/200**

(58) **Field of Classification Search**
USPC D16/200, 202-208, 218, 219, 242;
348/164, 373-376; 396/448, 535,
396/539-541

CPC G03B 17/02; G03B 19/04; G03B 17/56;
G03B 17/04; G03B 15/03; H04N 5/2251;
H04N 5/2252; H04N 5/2253; H04N
5/2254; H04N 7/181; H04N 7/183; H04N
7/18; G08B 13/1963; G08B 13/19619;
G08B 13/19632; F16M 11/04; F16M
13/00

See application file for complete search history.

(56) **References Cited**

U.S. PATENT DOCUMENTS

679,881 A 8/1901 Bullard
D441,386 S 5/2001 Yamazaki
D504,904 S 5/2005 Nagai
D515,121 S 2/2006 Bleau
D616,480 S 5/2010 Ookawa
8,014,656 B2 9/2011 Woodman

D647,554 S 10/2011 Yim
D653,687 S 2/2012 Yu
8,467,675 B2 6/2013 Chen
8,544,643 B2 10/2013 Yim
D699,277 S 2/2014 Samuels
D710,922 S 8/2014 Gioscia
D730,423 S 5/2015 Vandebussche
D739,451 S 9/2015 Gioscia
D750,680 S 3/2016 Chen

(Continued)

OTHER PUBLICATIONS

Silicon Sleeve Cases for the Frame of Your Gopro Hero 5 , retrieved from URL: <https://www.amazon.com/Silicone-Sleeve-Cases-Frame-Gopro/dp/B01NCQ3GOY>, retrieved Mar. 30, 2018 (6 pages).

(Continued)

Primary Examiner — Ramzi S Almatrahi

(74) *Attorney, Agent, or Firm* — Young Basile Hanlon & MacFarlane, P.C.

(57) **CLAIM**

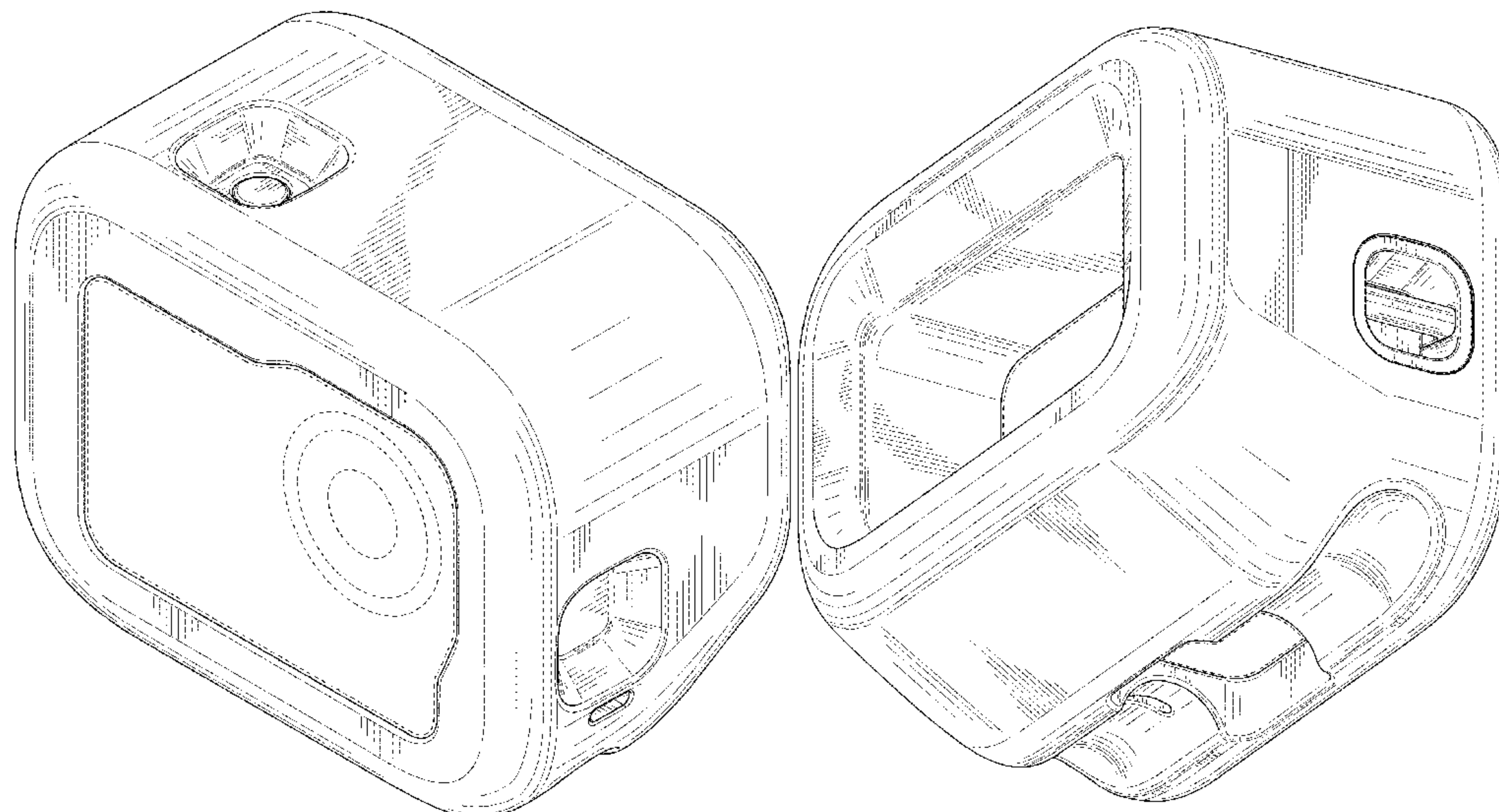
The ornamental design for a camera housing, as shown and described.

DESCRIPTION

FIG. 1 is a top, front, and right side perspective view of a camera housing showing our new design; FIG. 2 is a bottom, rear, and left side perspective view thereof; FIG. 3 is a front elevation view thereof; FIG. 4 is a rear elevation view thereof; FIG. 5 is right side elevation view thereof; FIG. 6 is a left side elevation view thereof; FIG. 7 is a top plan view thereof; and, FIG. 8 is a bottom plan view thereof.

The broken lines showing a camera within the camera housing represent environmental structure and form no part of the claimed design.

1 Claim, 8 Drawing Sheets



(56)

References Cited

U.S. PATENT DOCUMENTS

D759,141	S	6/2016	Bacon	
D760,309	S	6/2016	Parfitt	
D769,346	S	10/2016	Nguyen	
D773,546	S	12/2016	Nguyen	
D776,738	S *	1/2017	Clearman D16/200
D776,741	S	1/2017	Parfitt	
D777,239	S *	1/2017	Costa D16/242
D790,002	S	6/2017	Nguyen	
D800,815	S *	10/2017	Clearman D16/200
D806,775	S	1/2018	Nguyen	
D816,751	S *	5/2018	Harrison D16/200
D861,761	S	10/2019	Bergman	
D880,567	S *	4/2020	Zhang D16/237
D880,569	S *	4/2020	Zhang D16/242
D890,835	S *	7/2020	Nguyen D16/219

OTHER PUBLICATIONS

Silicon Sleeve for GoPro Her04 Housing—GCase, retrieved from URL: <https://www.gocase.com/products/silicon-sleeve-for-gopro-hero4-housing>, retrieved Mar. 30, 2018 (2 pages).

Silicone Sleeve Cases for The Frame of your Gopro Hero 5 (1x Frame / 1x Camera Case, Blue + Black), URL: https://www.amazon.com/dp/B01MR00OPJ/ref=asc_df_B01MR00OPJ5357481/?tag=hyprod-20&creative=395033&creativeASIN=B01MR00OPJ&linkCode=df0&hvadid=167139098072&hvpos=1o1&hvnetw=g&hvrnd=8248390090609077295&hvpone=&hvptwo=&hvqmt=&hvdev=c&hvdvcmdl=&hvlocint=&hvlocphy=1014237&hvtargid=pla-332273337114, retrieved Mar. 30, 2018 (6 pages).

* cited by examiner

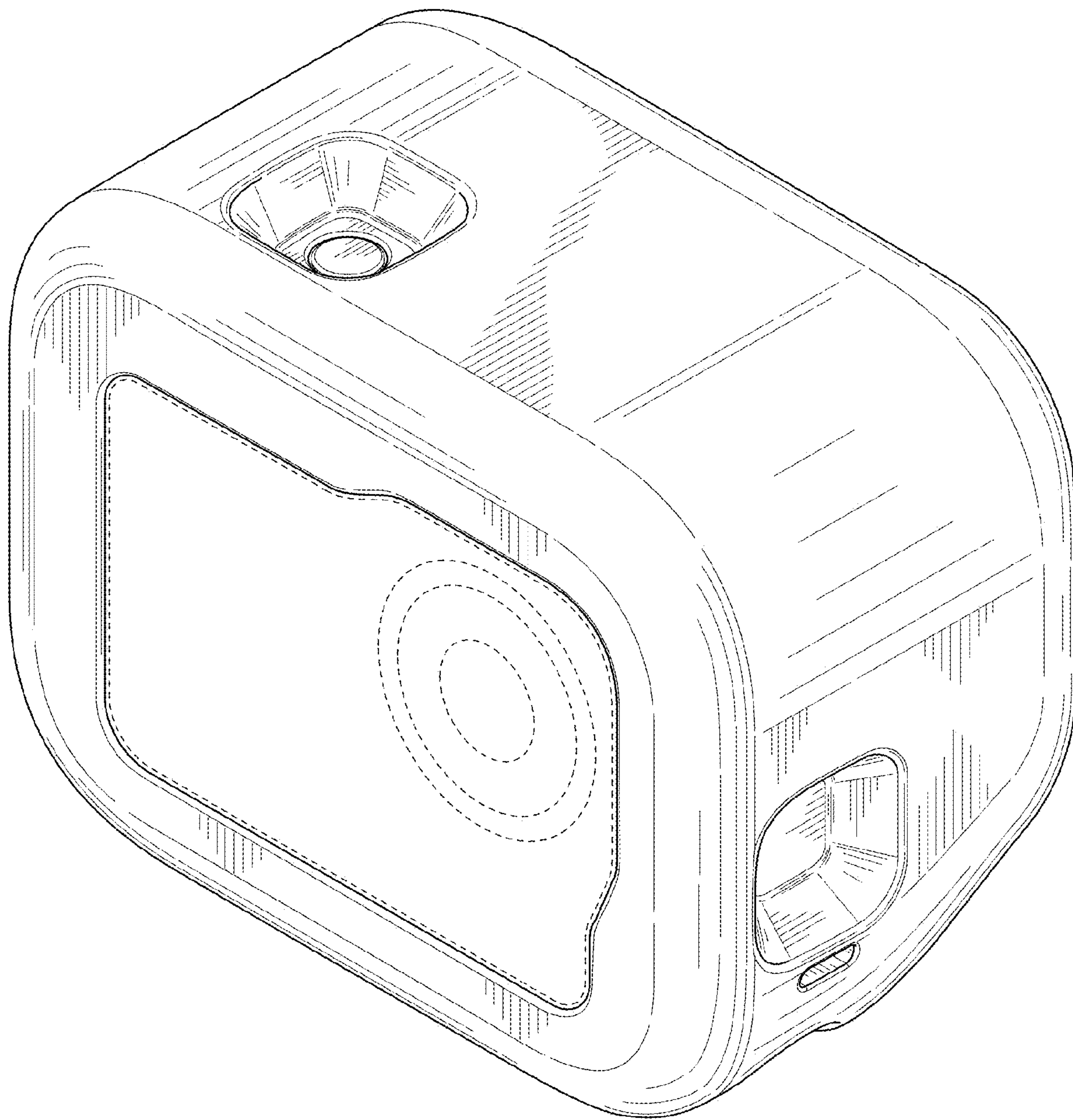


FIG. 1

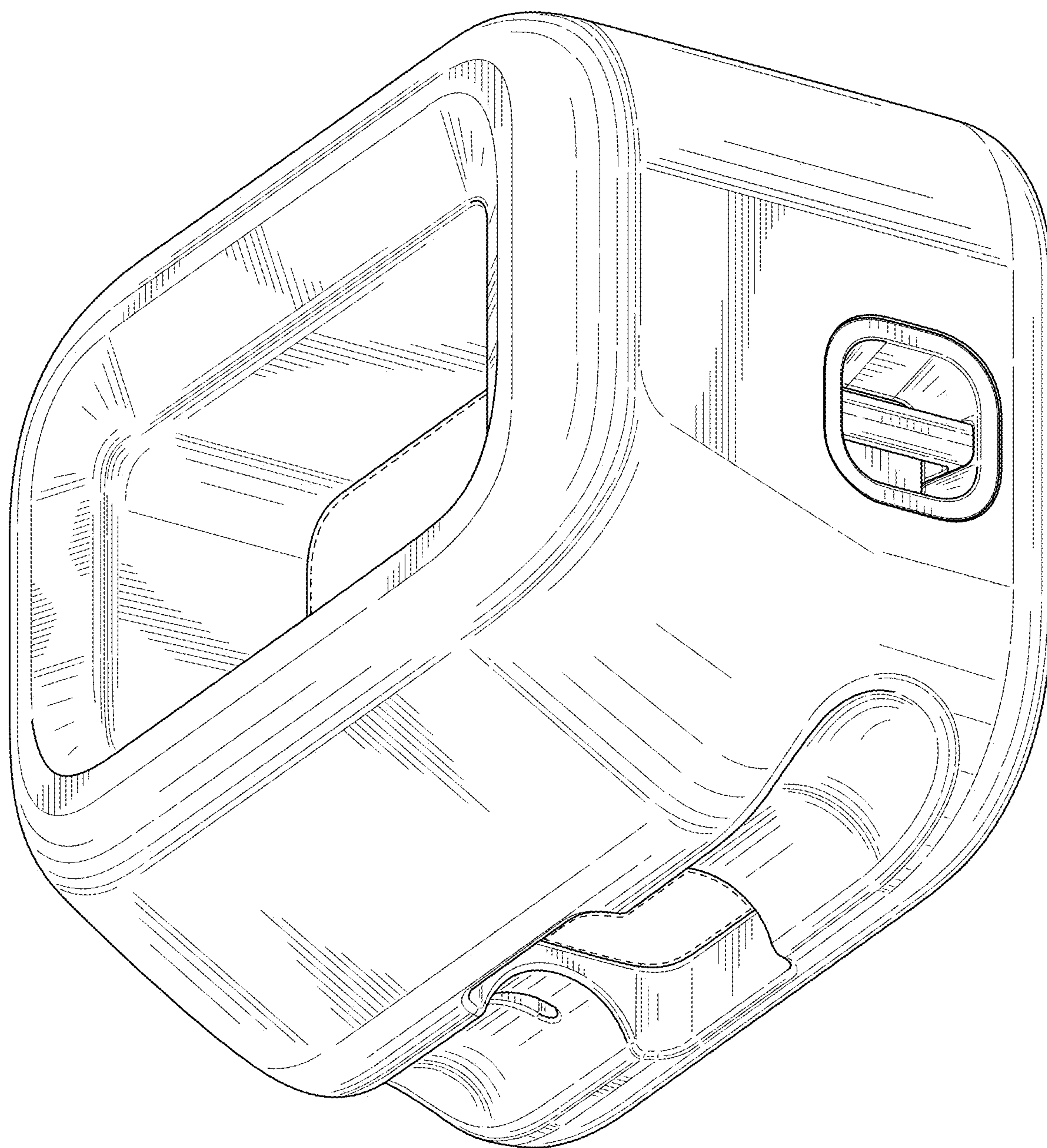


FIG. 2

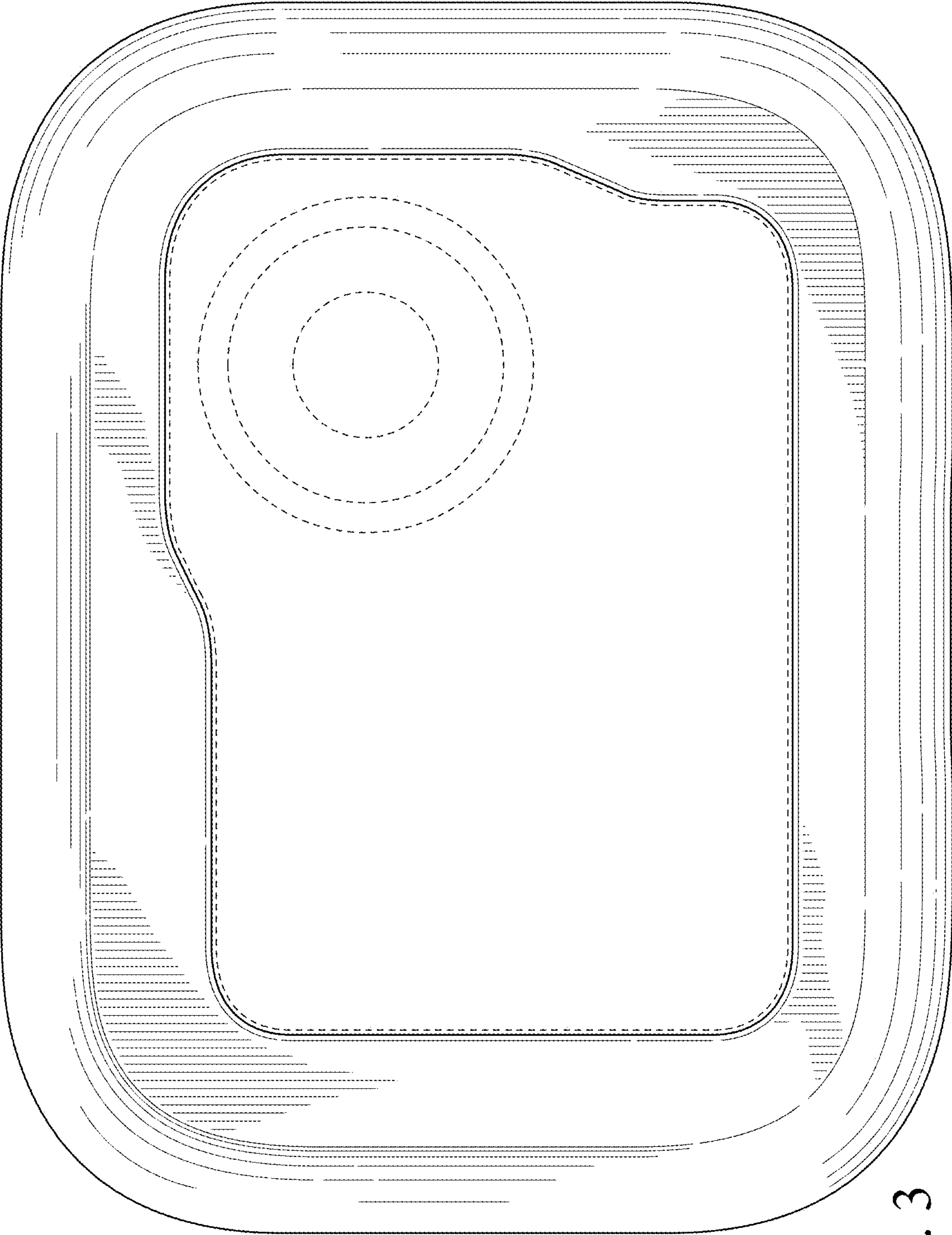


FIG. 3

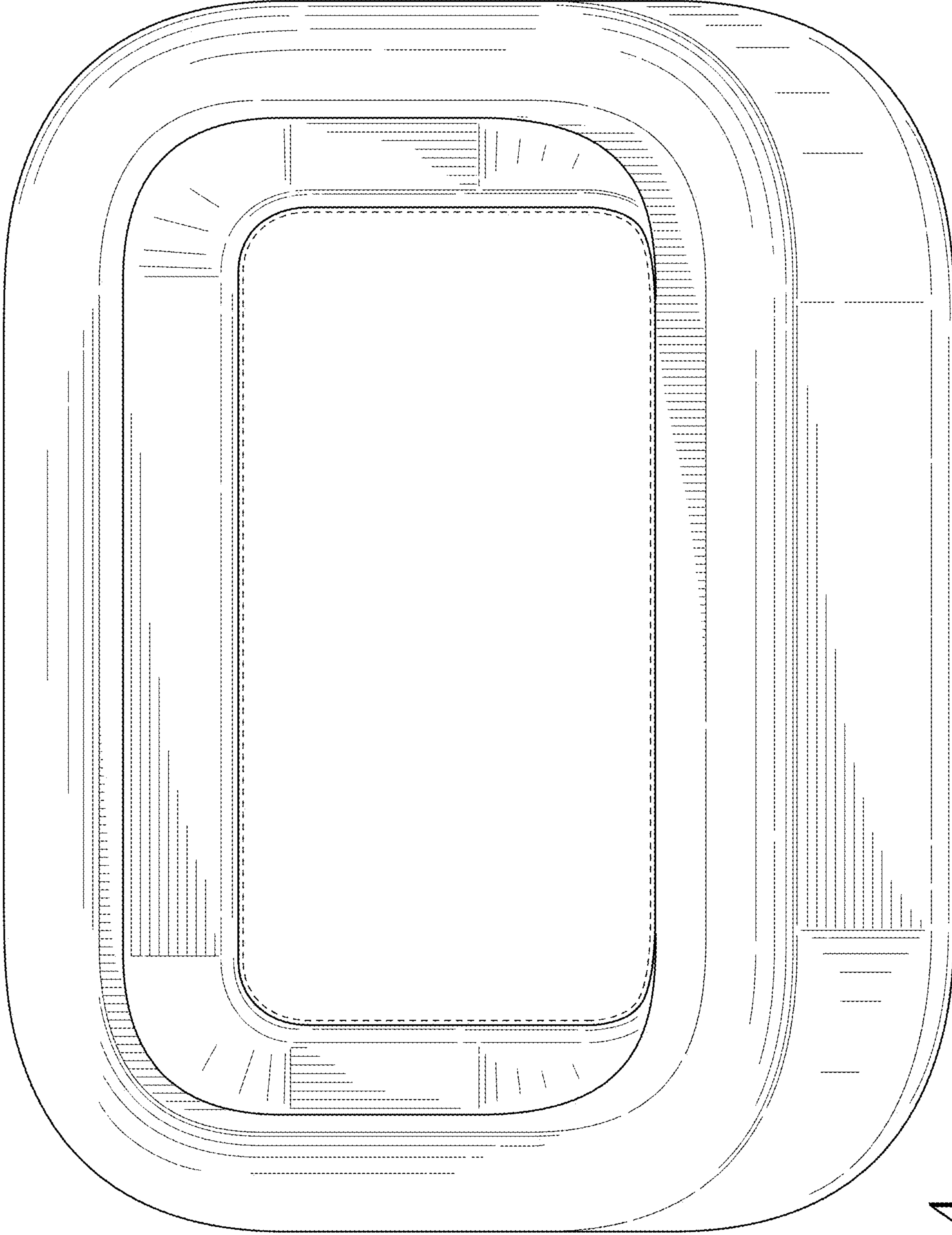


FIG. 4

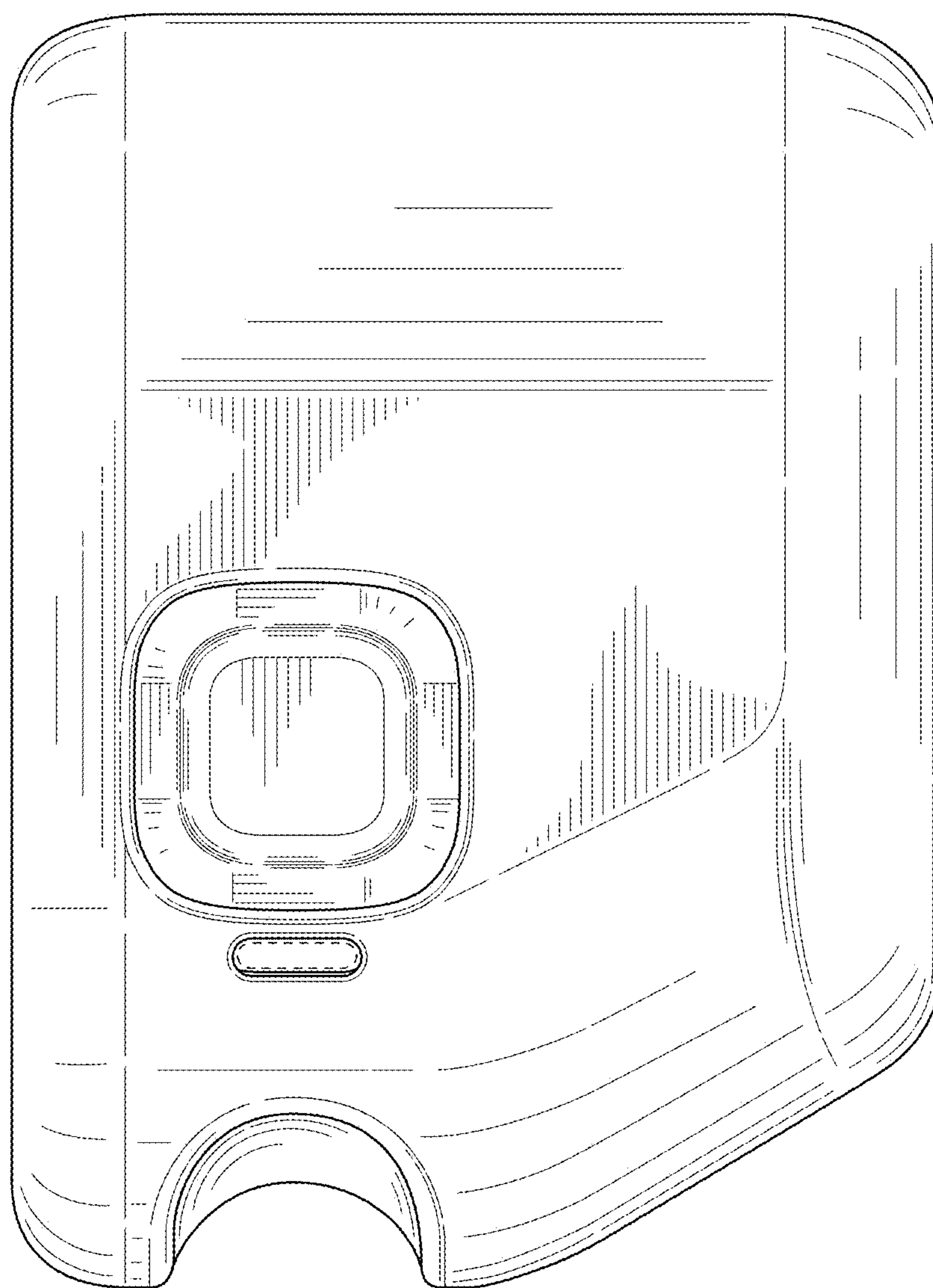


FIG. 5

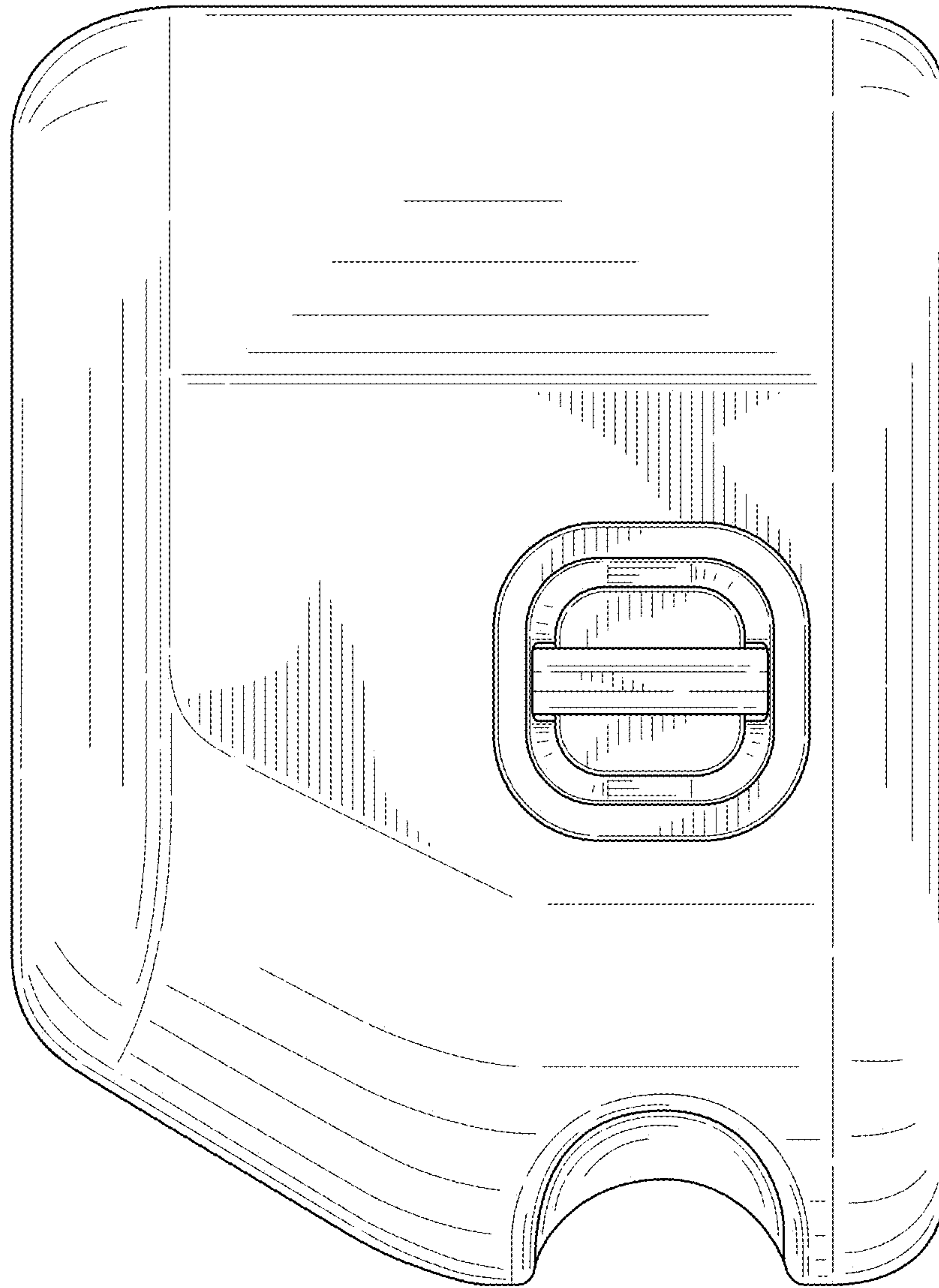


FIG. 6

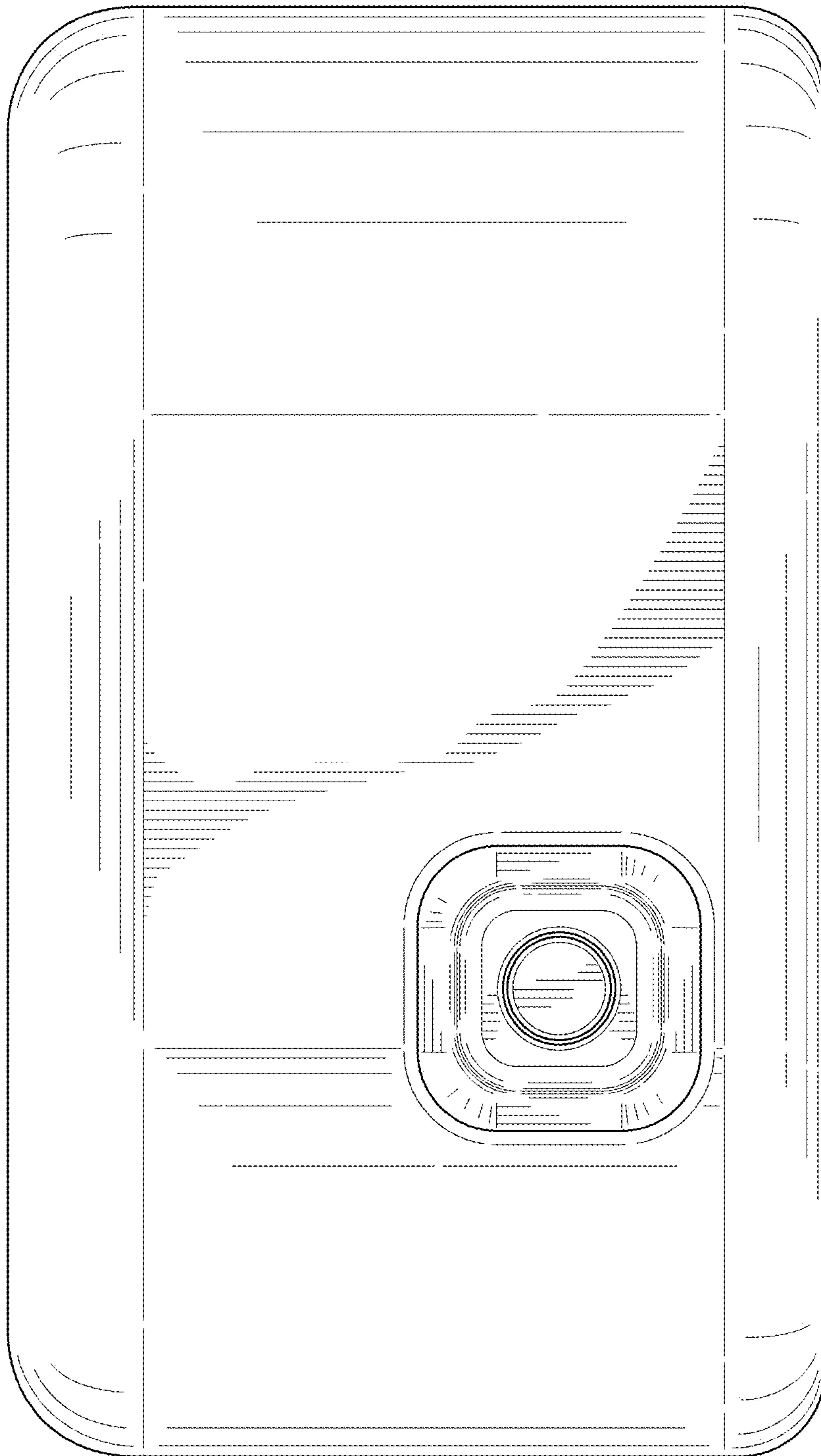


FIG. 7

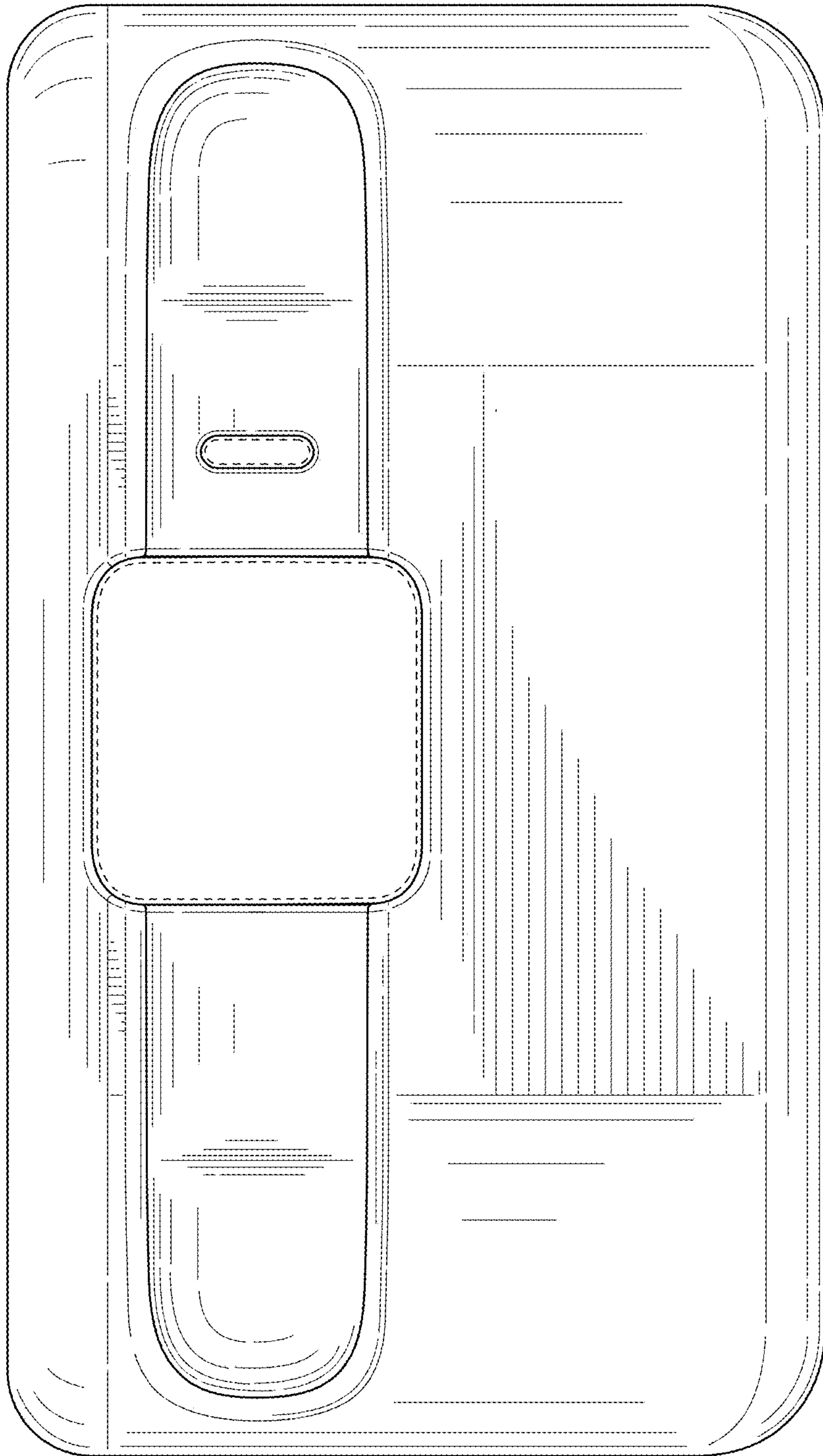


FIG. 8