



US00D912118S

(12) **United States Design Patent**
Day et al.

(10) **Patent No.:** **US D912,118 S**
(45) **Date of Patent:** **** Mar. 2, 2021**

(54) **PERCEPTION HOUSING FOR A ROBOT**

(71) Applicant: **X Development LLC**, Mountain View, CA (US)

(72) Inventors: **Matthew Day**, Oakland, CA (US);
Matthew Sibigroth, Richmond, CA (US); **Jonathan Souliere**, Sunnyvale, CA (US)

(73) Assignee: **X Development LLC**, Mountain View, CA (US)

(**) Term: **15 Years**

(21) Appl. No.: **29/705,875**

(22) Filed: **Sep. 16, 2019**

(51) **LOC (13) Cl.** **15-99**

(52) **U.S. Cl.**
USPC **D15/199**

(58) **Field of Classification Search**
USPC D15/122, 199; D21/578-583; D32/21;
D34/34
CPC B25J 5/007; B60B 19/006; B62D 57/024;
H01F 7/0221
See application file for complete search history.

(56) **References Cited**

U.S. PATENT DOCUMENTS

D295,105 S *	4/1988	Dawson	D34/18
D675,656 S *	2/2013	Sutherland	D15/199
D810,167 S *	2/2018	Yang	D15/199
D829,252 S *	9/2018	Wang	D15/199
D855,673 S *	8/2019	Sutherland	D15/199
D857,073 S *	8/2019	Gayne	D15/199
10,399,616 B2 *	9/2019	Ellerman	A63H 33/26
D861,761 S *	10/2019	Bergman	D16/200
D874,534 S *	2/2020	Matsuo	D16/203

D884,043 S *	5/2020	Song	D15/199
2014/0009561 A1 *	1/2014	Sutherland	F16M 11/42 348/14.05
2015/0224640 A1 *	8/2015	Vu	B25J 5/007 700/259
2016/0327383 A1 *	11/2016	Becker	G01B 11/005

* cited by examiner

Primary Examiner — Patricia A Palasik

(74) *Attorney, Agent, or Firm* — McDonnell Boehnen Hulbert & Berghoff LLP

(57) **CLAIM**

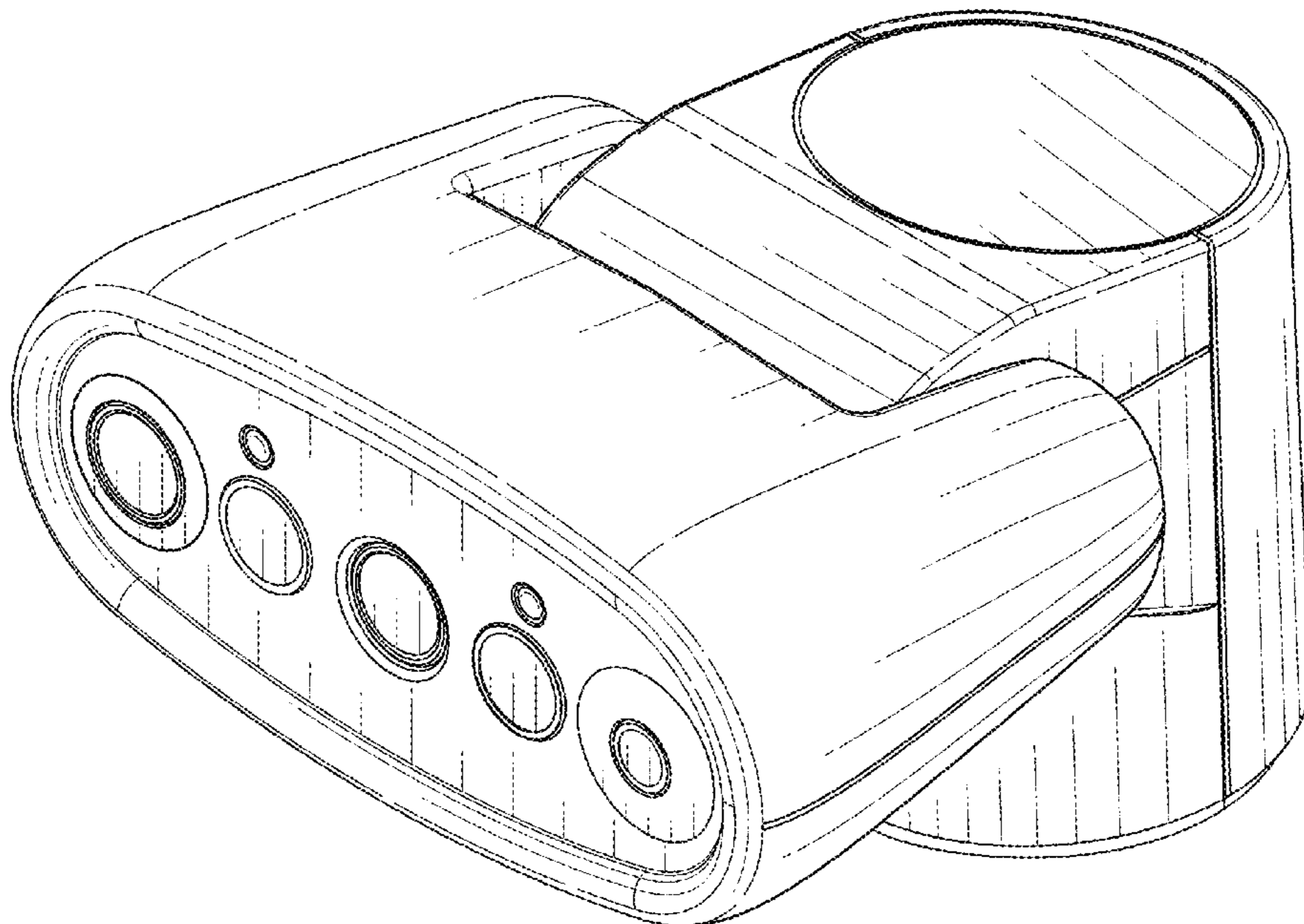
The ornamental design for a perception housing for a robot, as shown and described.

DESCRIPTION

FIG. 1 is a perception housing for a robot in a perspective view;
FIG. 2 is a front view thereof;
FIG. 3 is a rear view thereof;
FIG. 4 is a right side view thereof;
FIG. 5 is a left side view thereof;
FIG. 6 is a top view thereof;
FIG. 7 is a bottom view thereof;
FIG. 8 is a second embodiment of a perception housing for a robot in a perspective view;
FIG. 9 is a front view thereof;
FIG. 10 is a rear view thereof;
FIG. 11 is a right side view thereof;
FIG. 12 is a left side view thereof;
FIG. 13 is a top view thereof; and,
FIG. 14 is a bottom view thereof.

The broken lines are included for the purpose of illustrating perception housing for a robot that form no part of the claimed design.

1 Claim, 10 Drawing Sheets



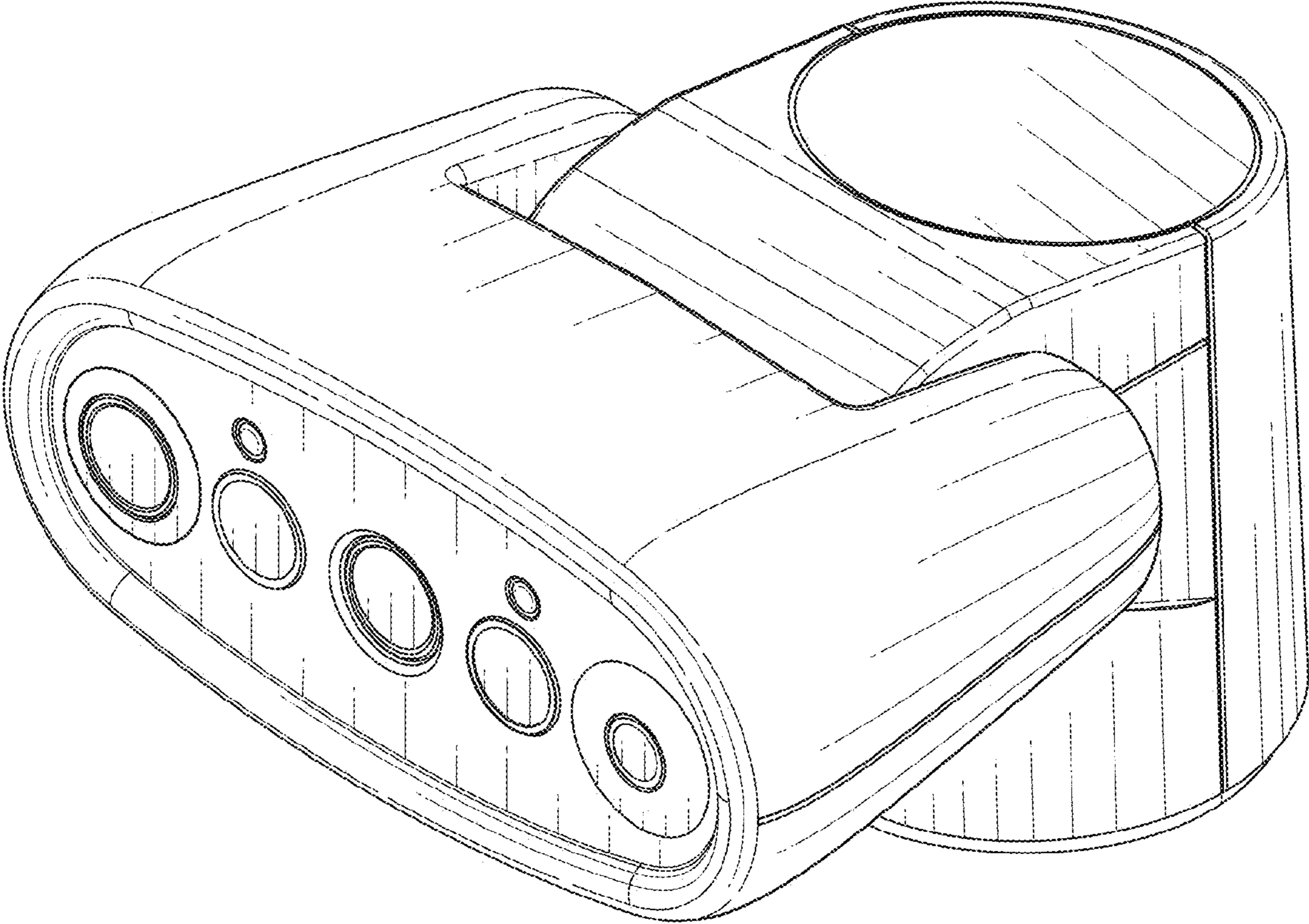


FIG. 1

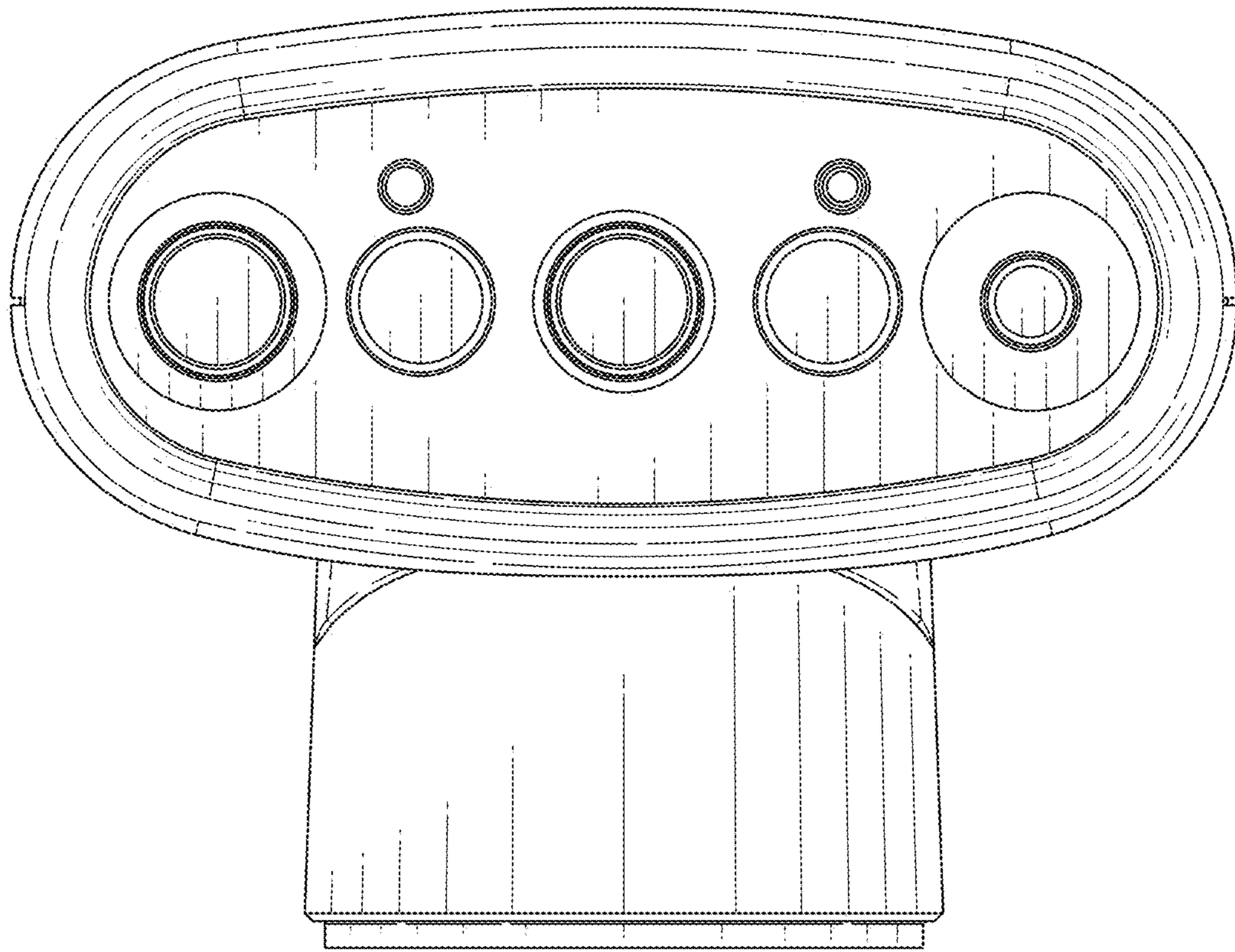


FIG. 2

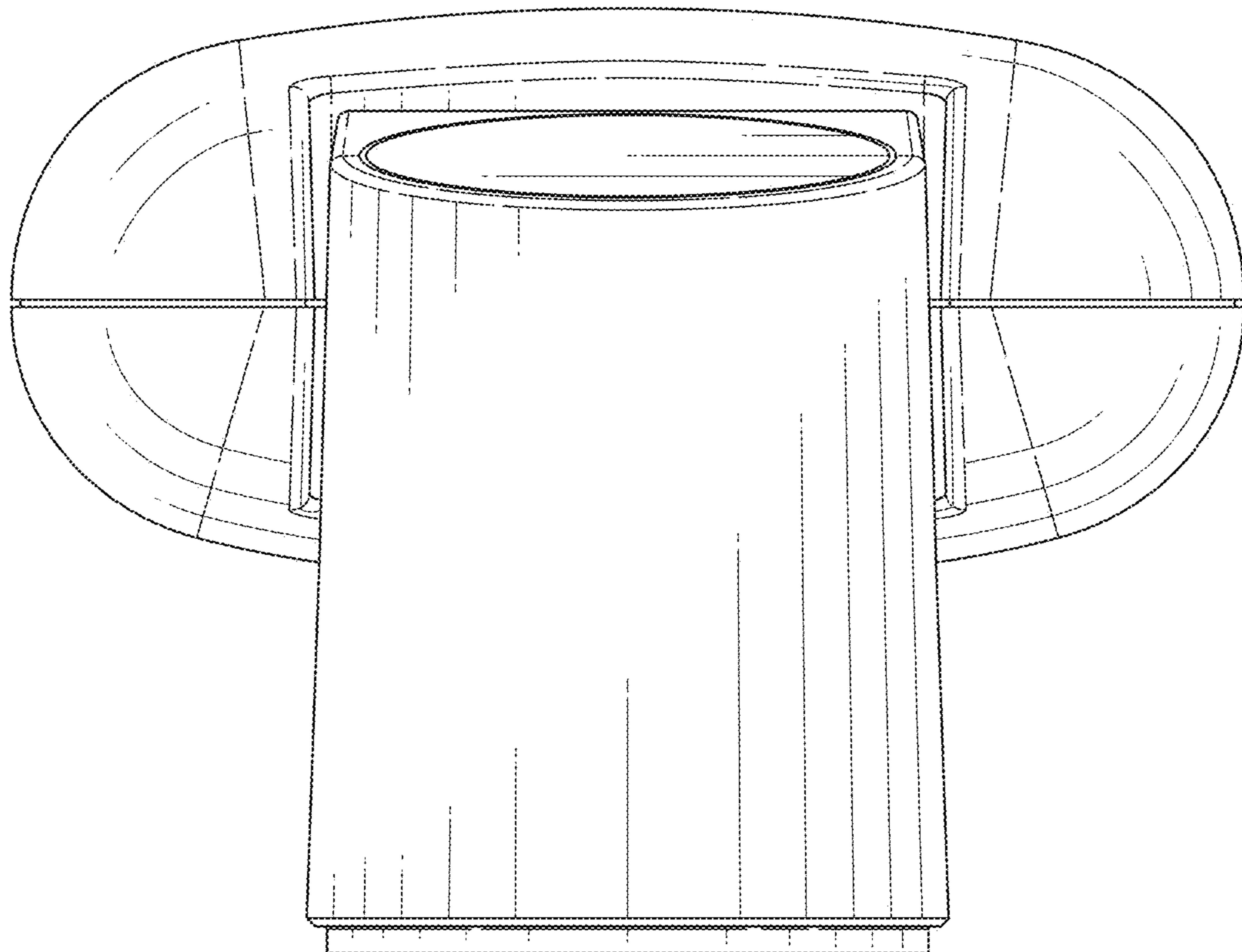


FIG. 3

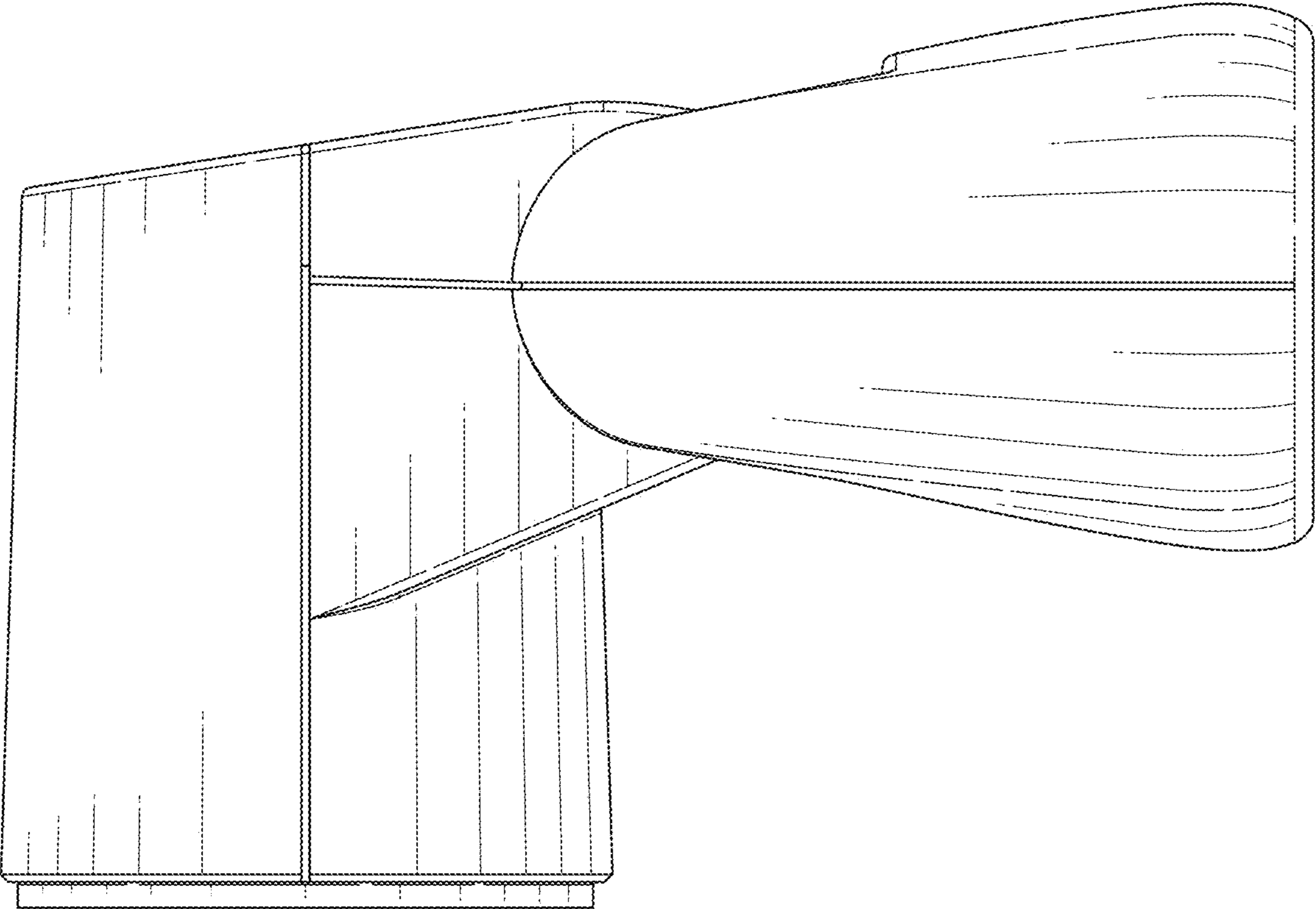


FIG. 4

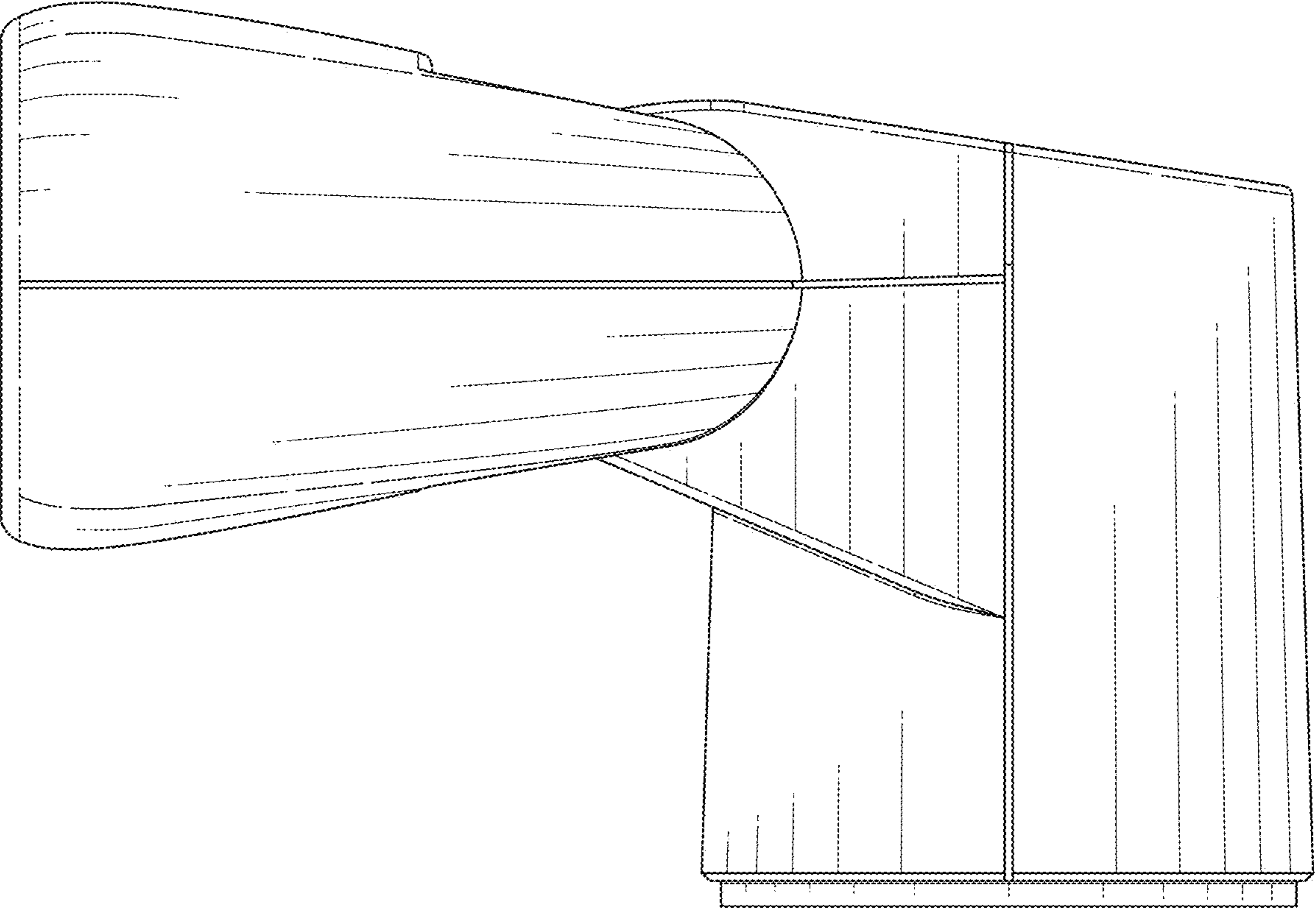


FIG. 5

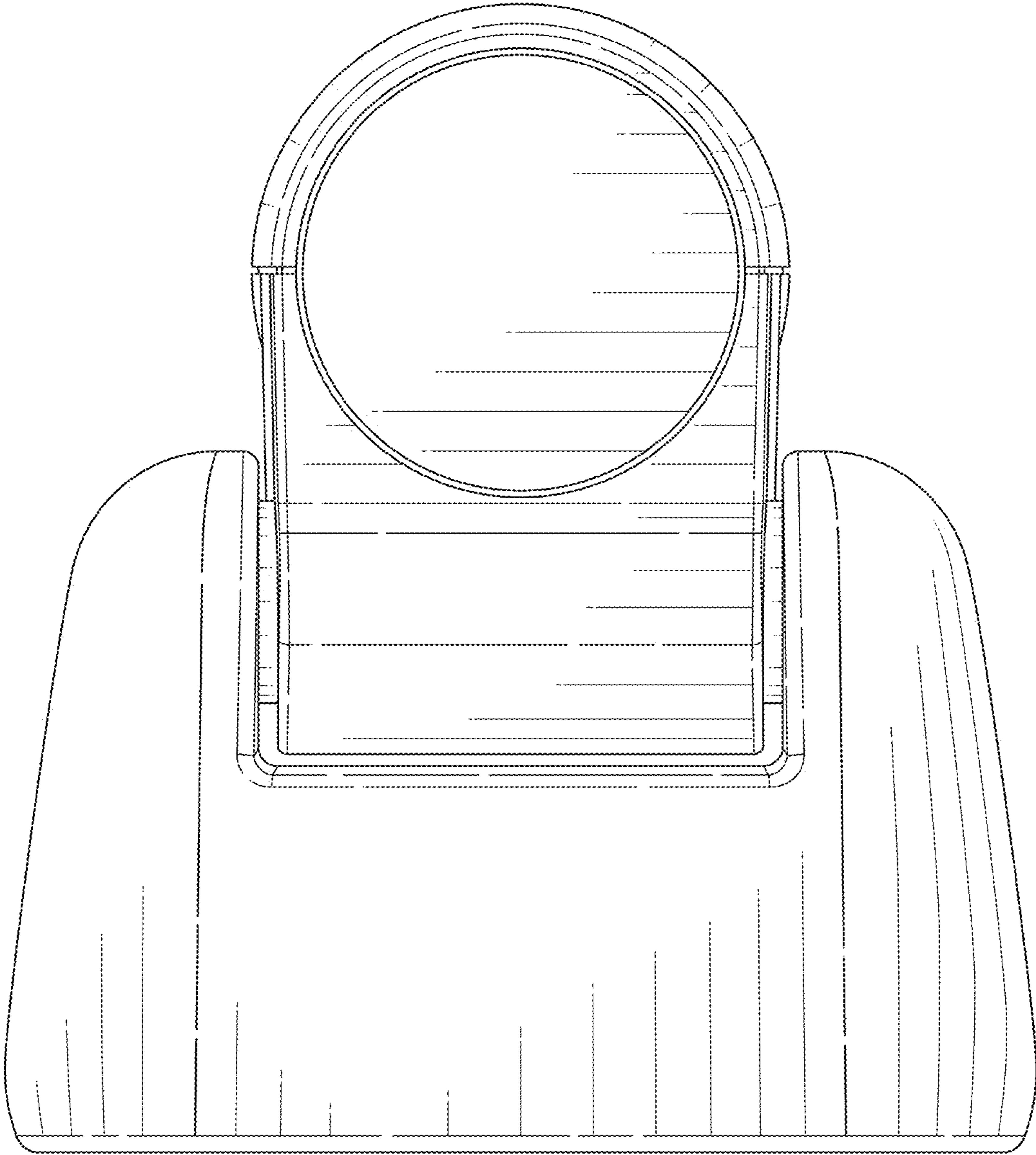


FIG. 6

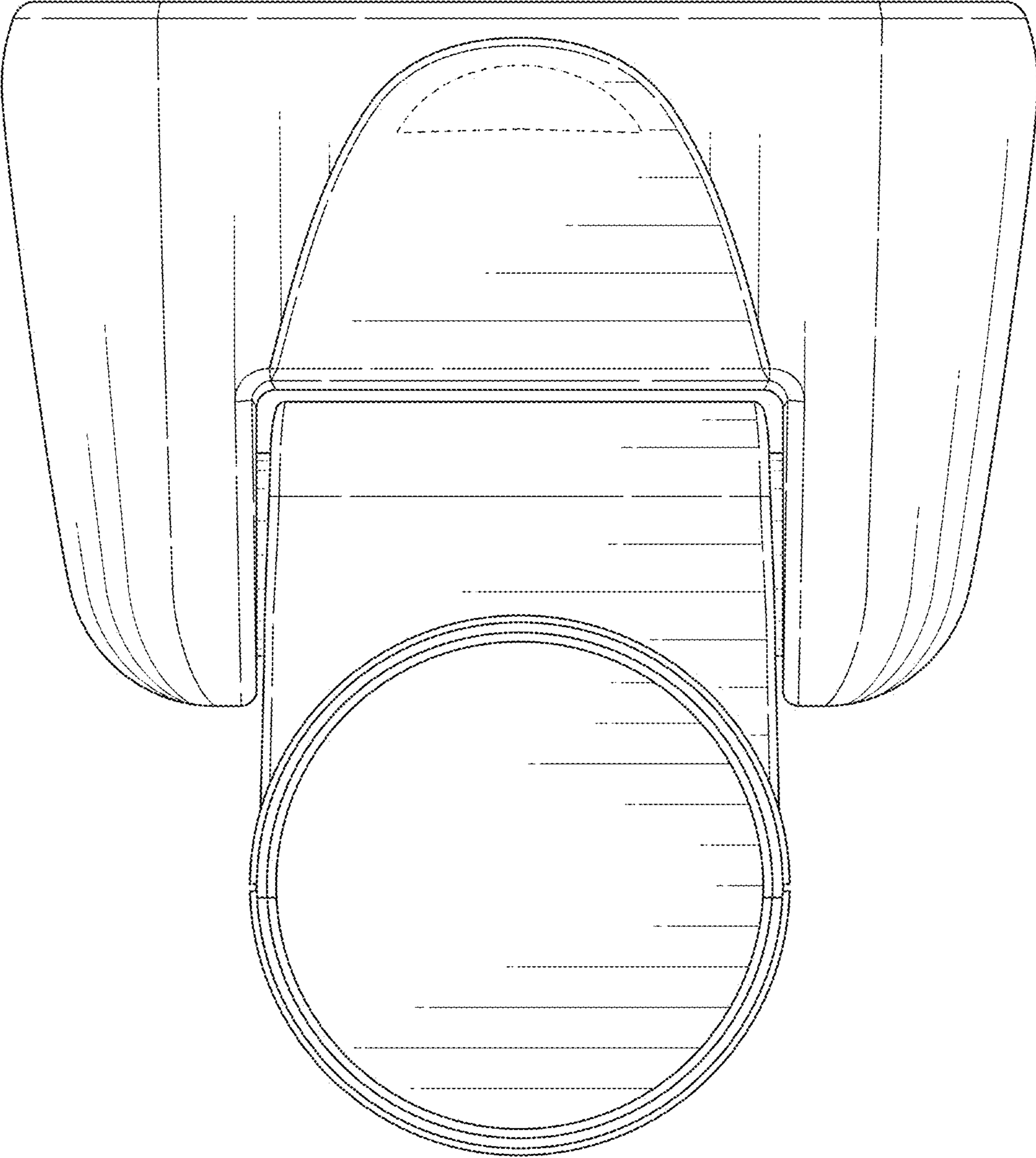


FIG. 7

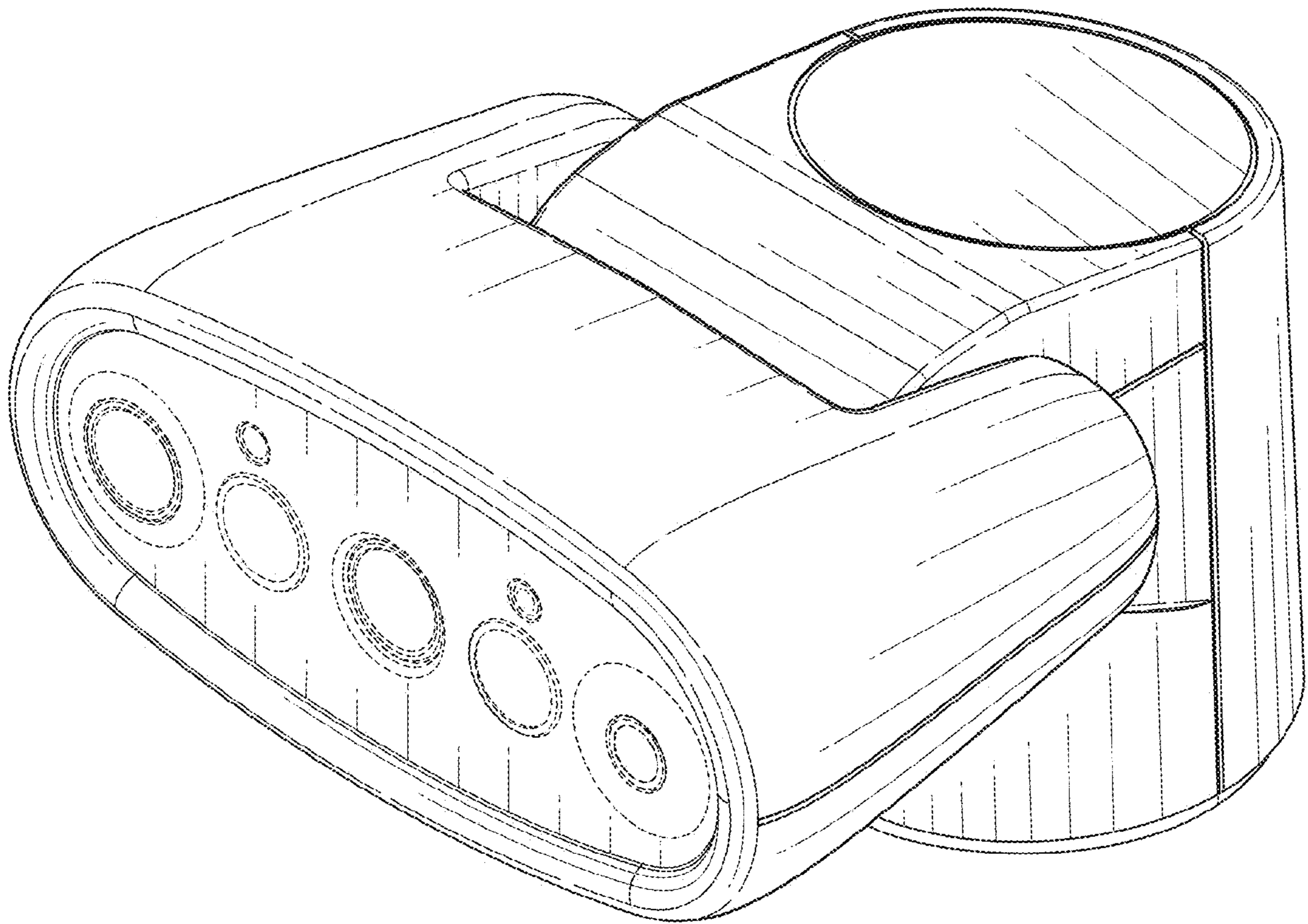


FIG. 8

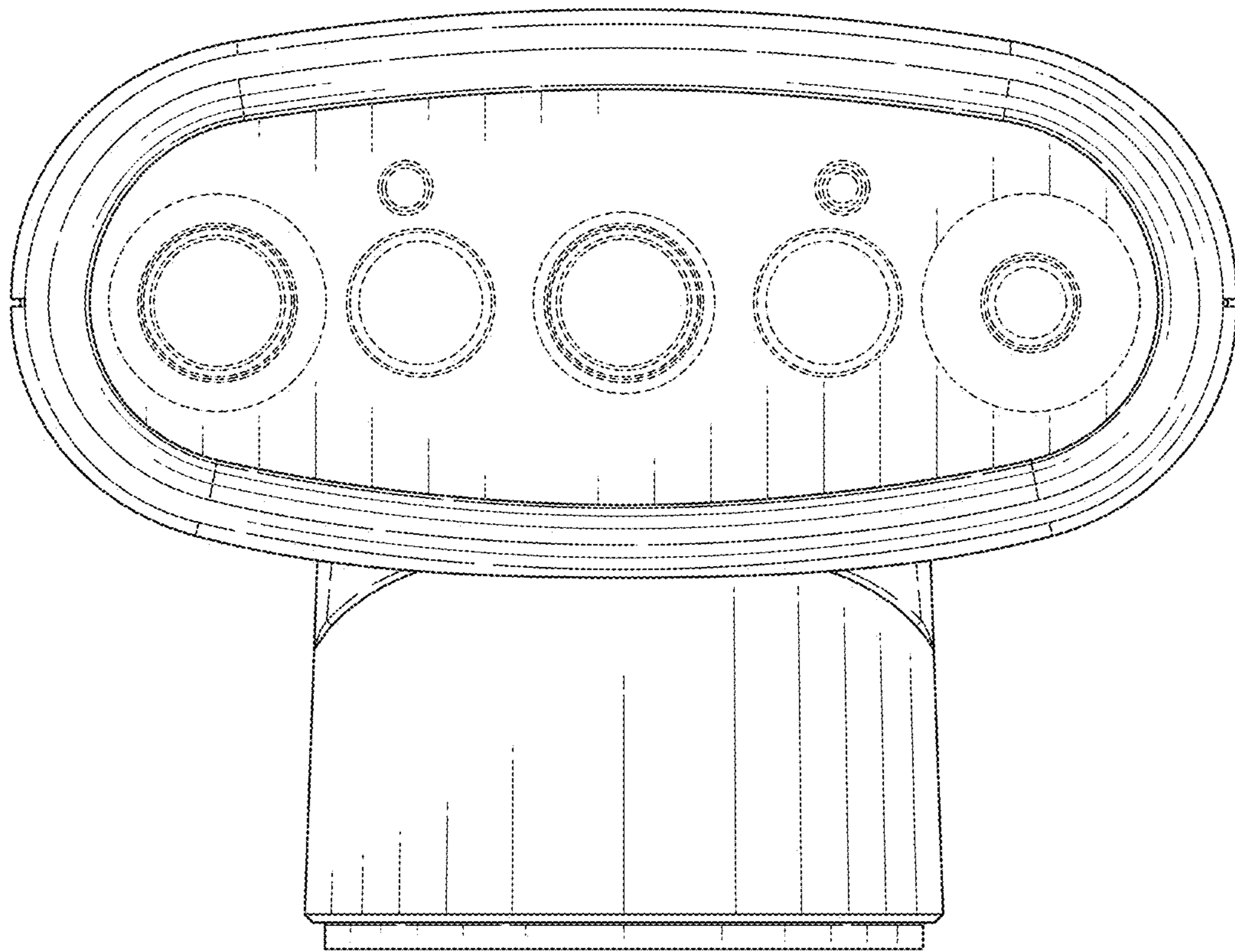


FIG. 9

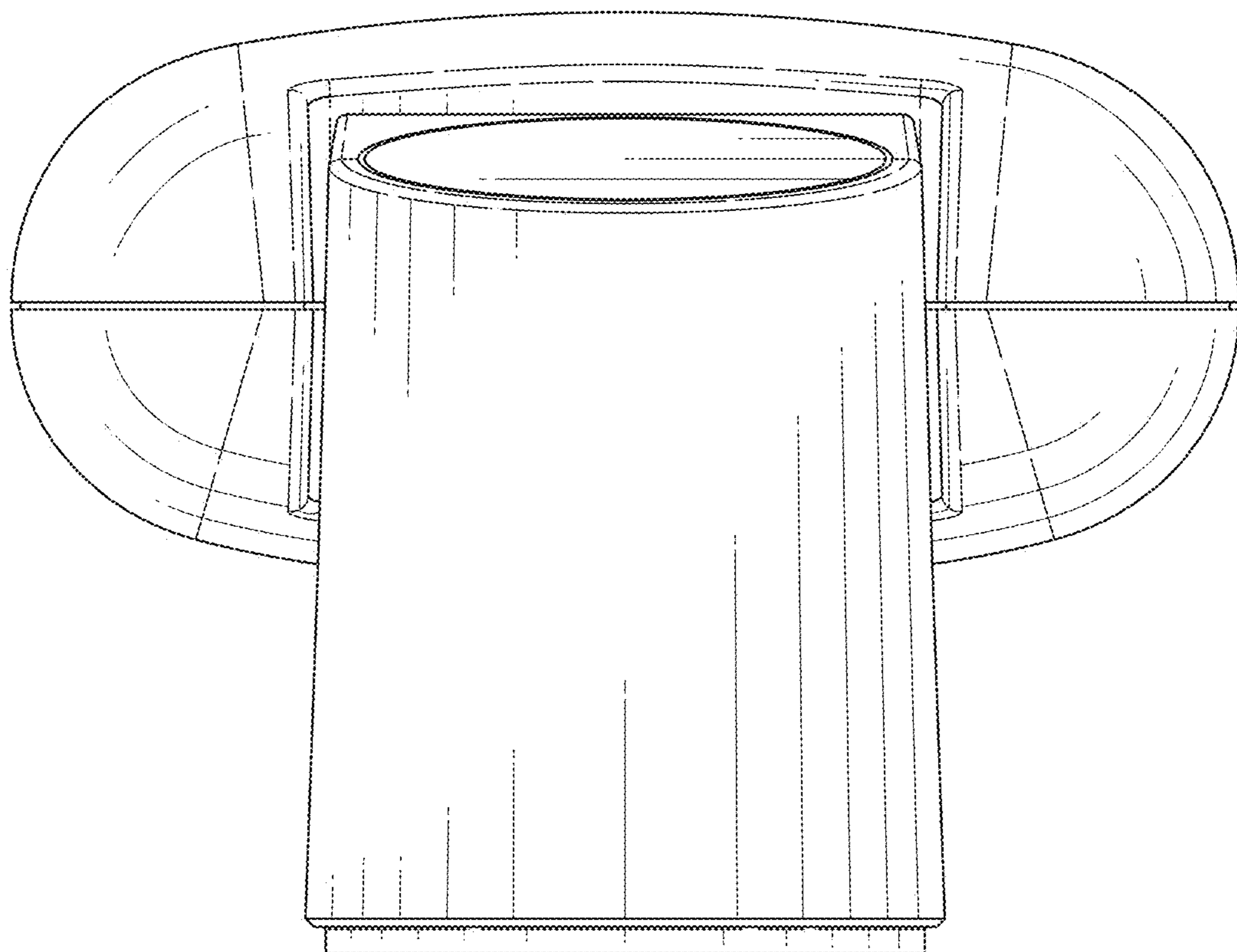


FIG. 10

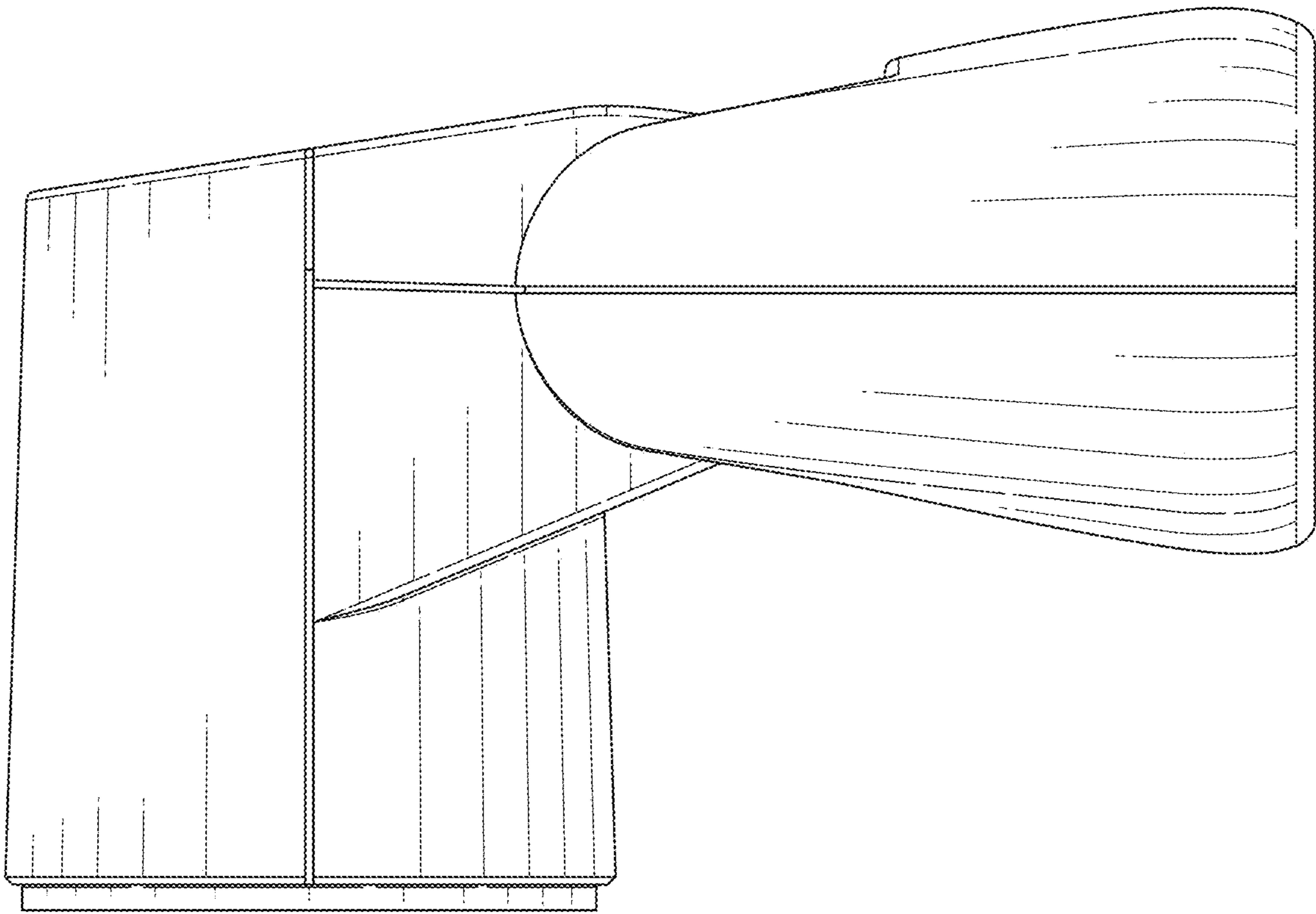


FIG. 11

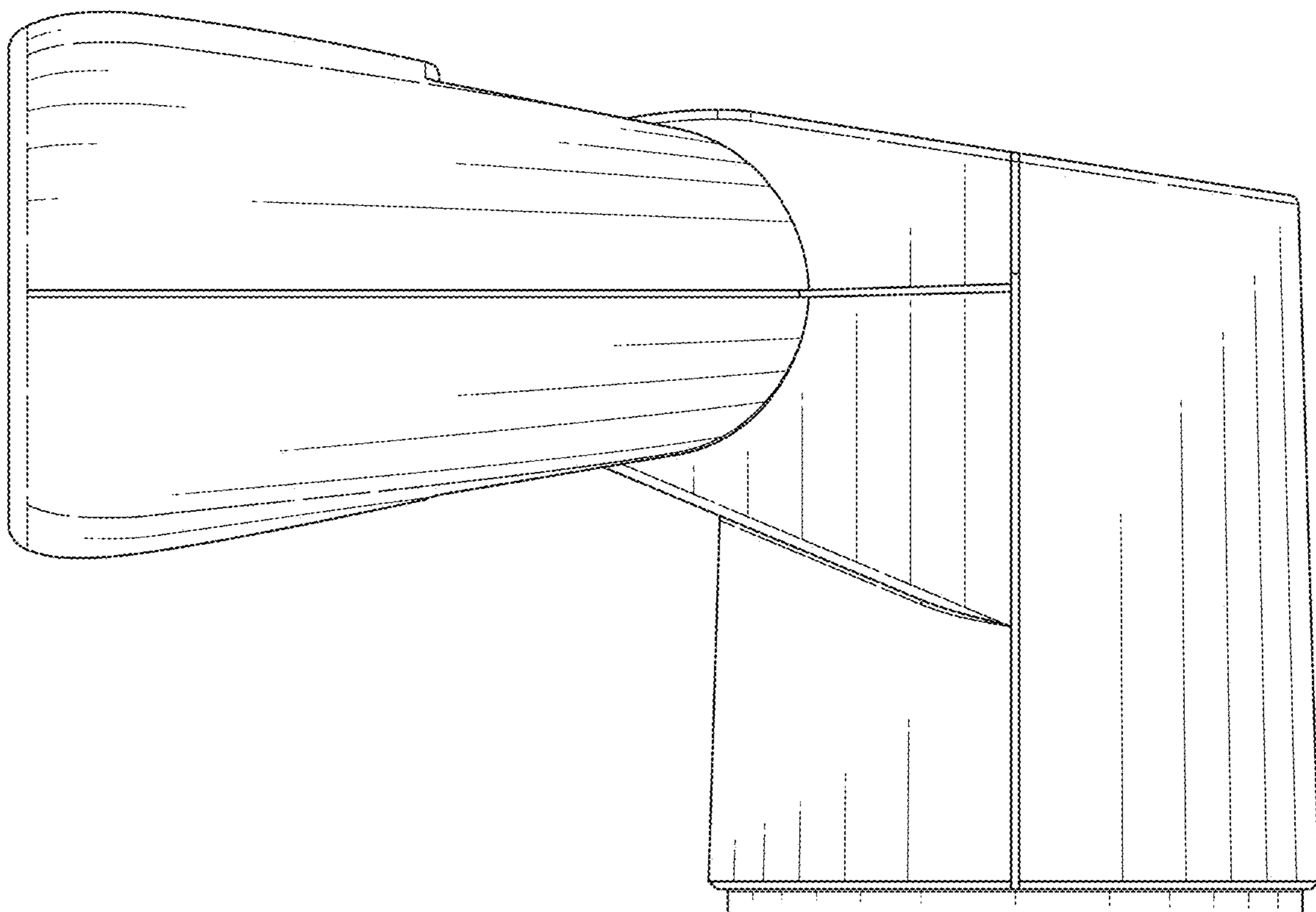


FIG. 12

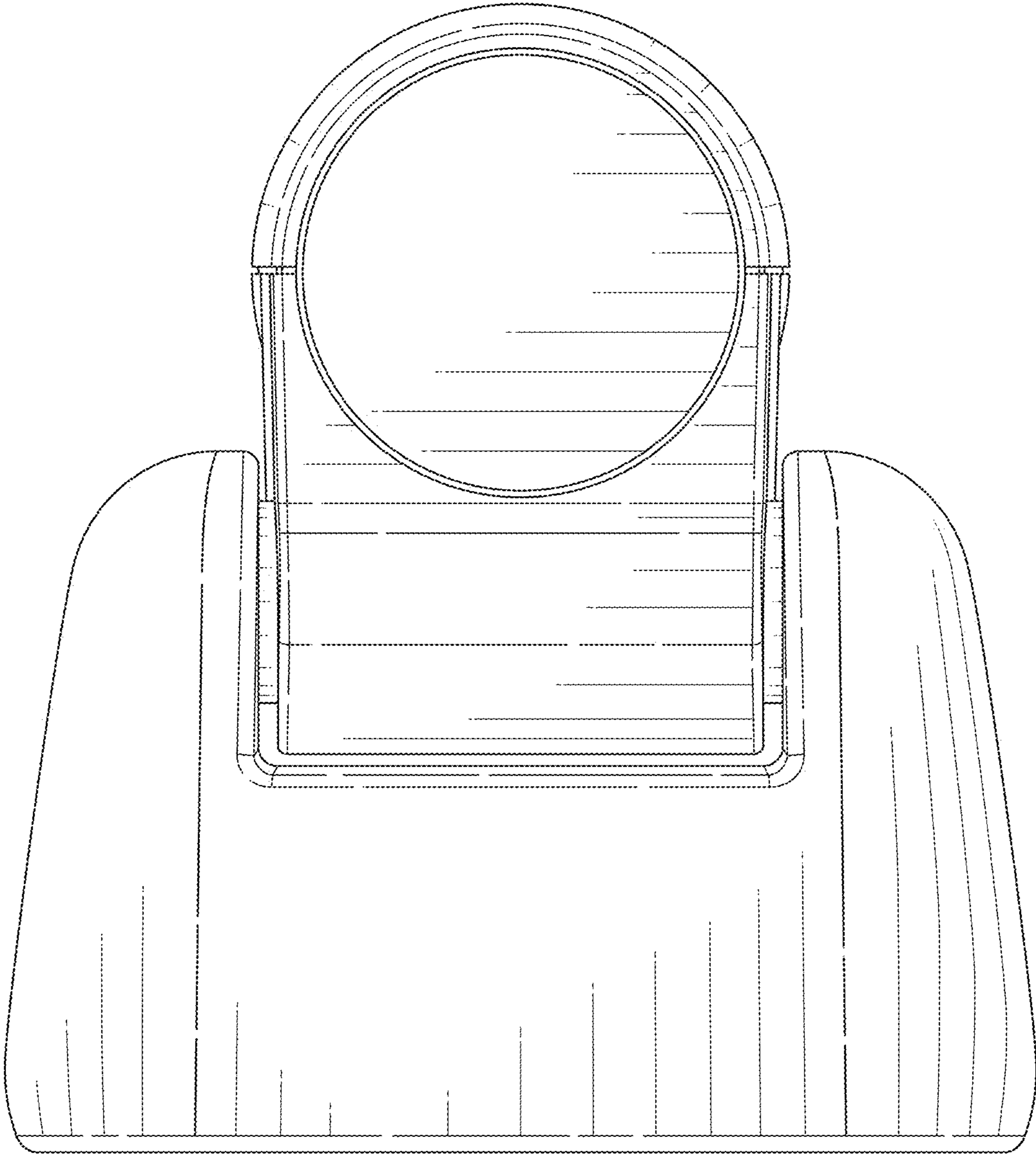


FIG. 13

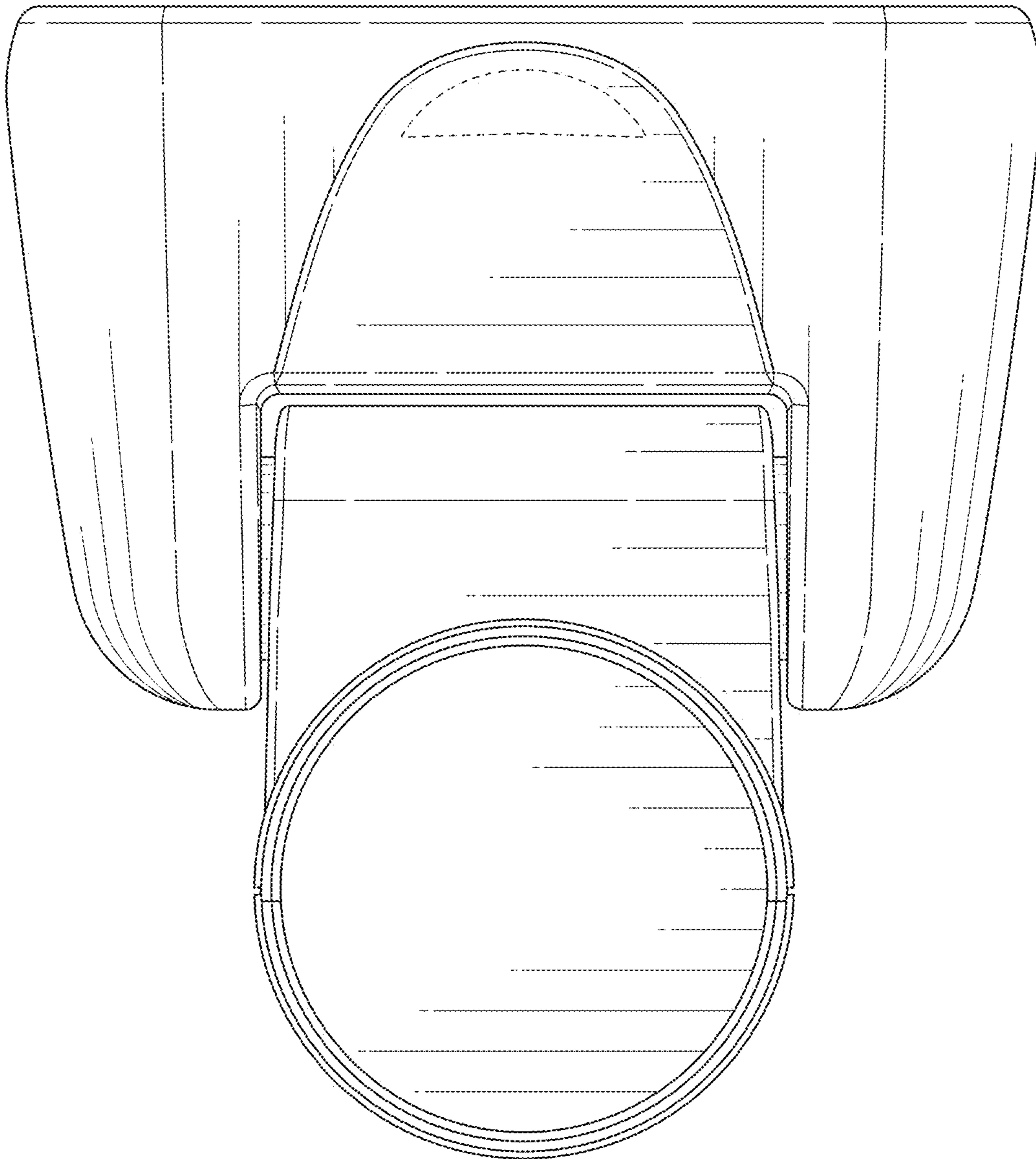


FIG. 14