



US00D912117S

(12) **United States Design Patent** (10) **Patent No.:** **US D912,117 S**
Berkowitz et al. (45) **Date of Patent:** **** Mar. 2, 2021**

(54) **ROBOT ARM**
(71) Applicant: **X Development LLC**, Mountain View, CA (US)
(72) Inventors: **Ben Berkowitz**, San Francisco, CA (US); **Gregory Katz**, Mountain View, CA (US)
(73) Assignee: **X Development LLC**, Mountain View, CA (US)
(**) Term: **15 Years**
(21) Appl. No.: **29/705,874**
(22) Filed: **Sep. 16, 2019**
(51) **LOC (13) Cl.** **15-99**
(52) **U.S. Cl.**
USPC **D15/199**
(58) **Field of Classification Search**
USPC D15/122, 199; D21/578-583; D32/21; D34/34
CPC B25J 9/046; B25J 9/042; B25J 9/06; H01L 21/67766
See application file for complete search history.

D423,534 S * 4/2000 Raab D15/199
D610,926 S * 3/2010 Gerent D10/63
D643,319 S * 8/2011 Ferrari D10/63
D692,041 S * 10/2013 Selic D15/199
D716,357 S * 10/2014 Gombert D15/199
D776,178 S * 1/2017 Ries D15/199
D782,553 S * 3/2017 Goto D15/199
D802,041 S * 11/2017 He D15/199
D830,439 S * 10/2018 Park D15/199
D837,294 S * 1/2019 Ciniello D19/59
D837,853 S * 1/2019 Deng D15/199
D841,065 S * 2/2019 Hontani D15/199
D841,712 S * 2/2019 Hontani D15/199
10,399,616 B2 * 9/2019 Ellerman A63H 33/26
D865,828 S * 11/2019 Bogart D15/199
D873,878 S * 1/2020 Vazquez D15/199
D874,530 S * 2/2020 Haddadin D15/199
2015/0224640 A1 * 8/2015 Vu B25J 5/007
700/259
2016/0327383 A1 * 11/2016 Becker G01B 11/005

* cited by examiner

Primary Examiner — Patricia A Palasik
(74) *Attorney, Agent, or Firm* — McDonnell Boehnen Hulbert & Berghoff LLP

(57) **CLAIM**

The ornamental design for a robot arm, as shown and described.

DESCRIPTION

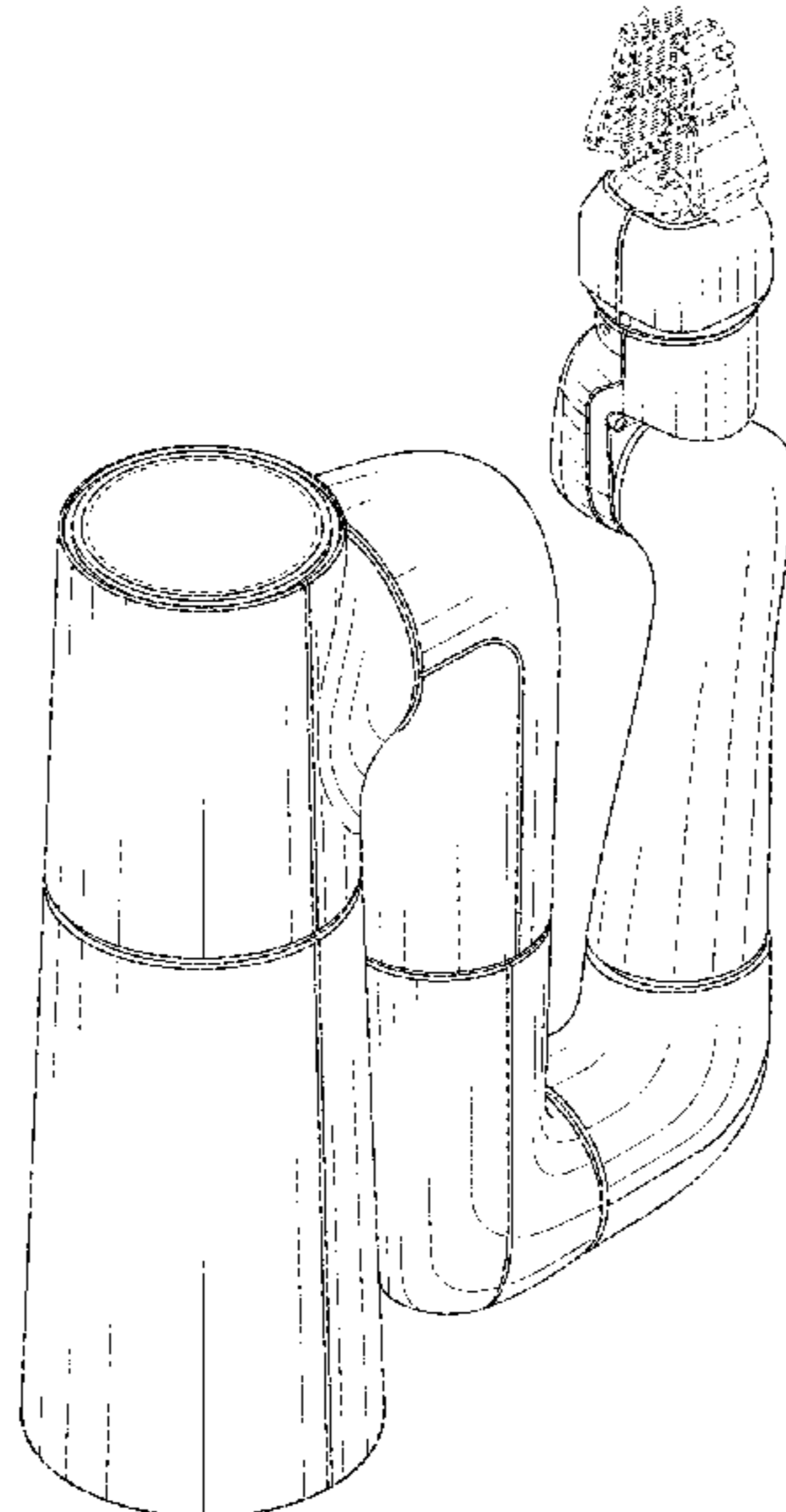
FIG. 1 is a robot arm in a perspective view;
FIG. 2 is a rear view thereof;
FIG. 3 is a front view thereof;
FIG. 4 is a left side view thereof;
FIG. 5 is a right side view thereof;
FIG. 6 is a top view thereof; and,
FIG. 7 is a bottom view thereof.
The broken fines are included for the purpose of illustrating portions of the robot arm that form no part of the claimed design.

1 Claim, 5 Drawing Sheets

(56) **References Cited**

U.S. PATENT DOCUMENTS

3,476,266 A * 11/1969 Devol G05B 19/0405
414/730
4,273,506 A * 6/1981 Thomson B25J 9/046
294/106
D274,182 S * 6/1984 Kato D15/122
D279,571 S * 7/1985 Arai D15/122
D279,572 S * 7/1985 Yasuoka D15/122
4,693,663 A * 9/1987 Brenholt B25J 9/047
414/735
D293,449 S * 12/1987 Kaufmann D15/122
4,766,775 A * 8/1988 Hodge B25J 9/08
74/490.01
D298,834 S * 12/1988 Jones D15/122



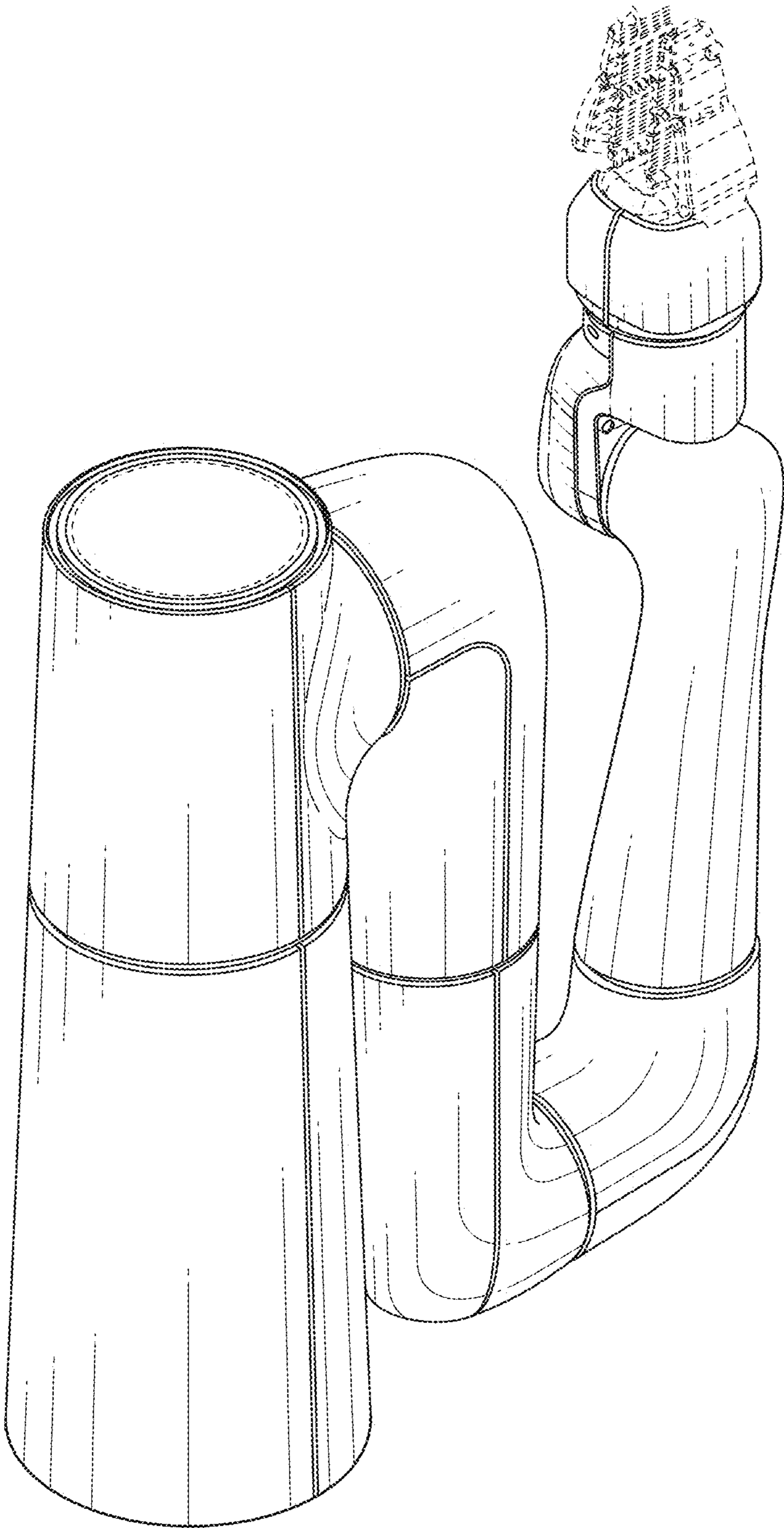


FIG. 1

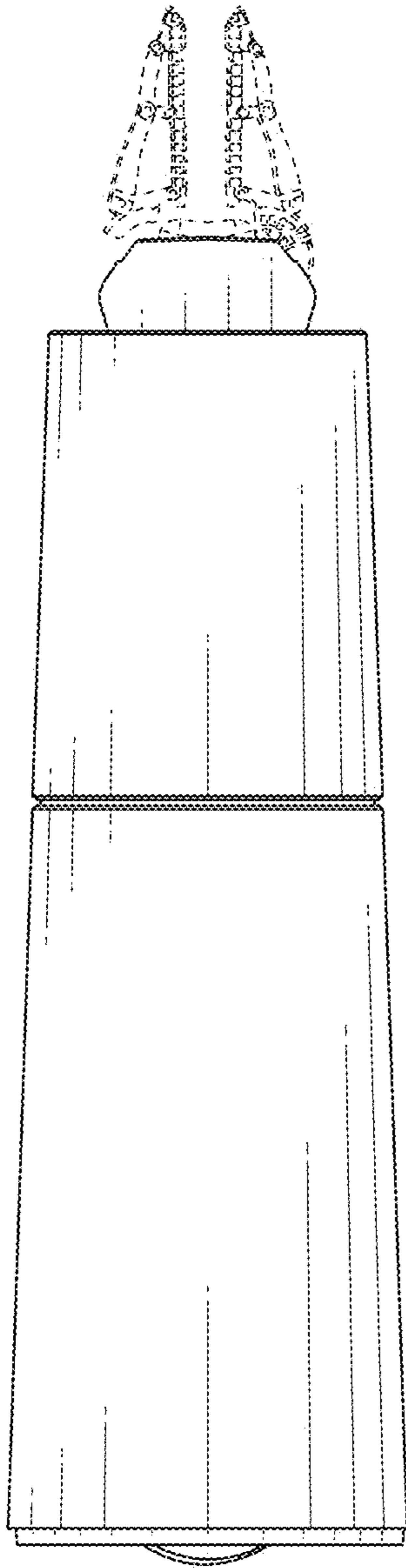


FIG. 2

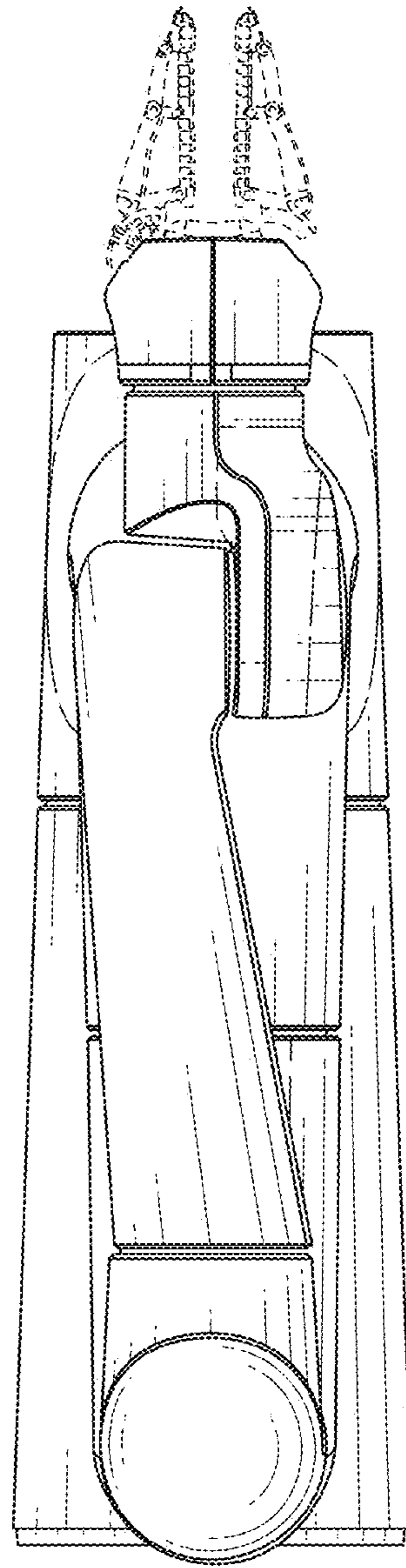


FIG. 3

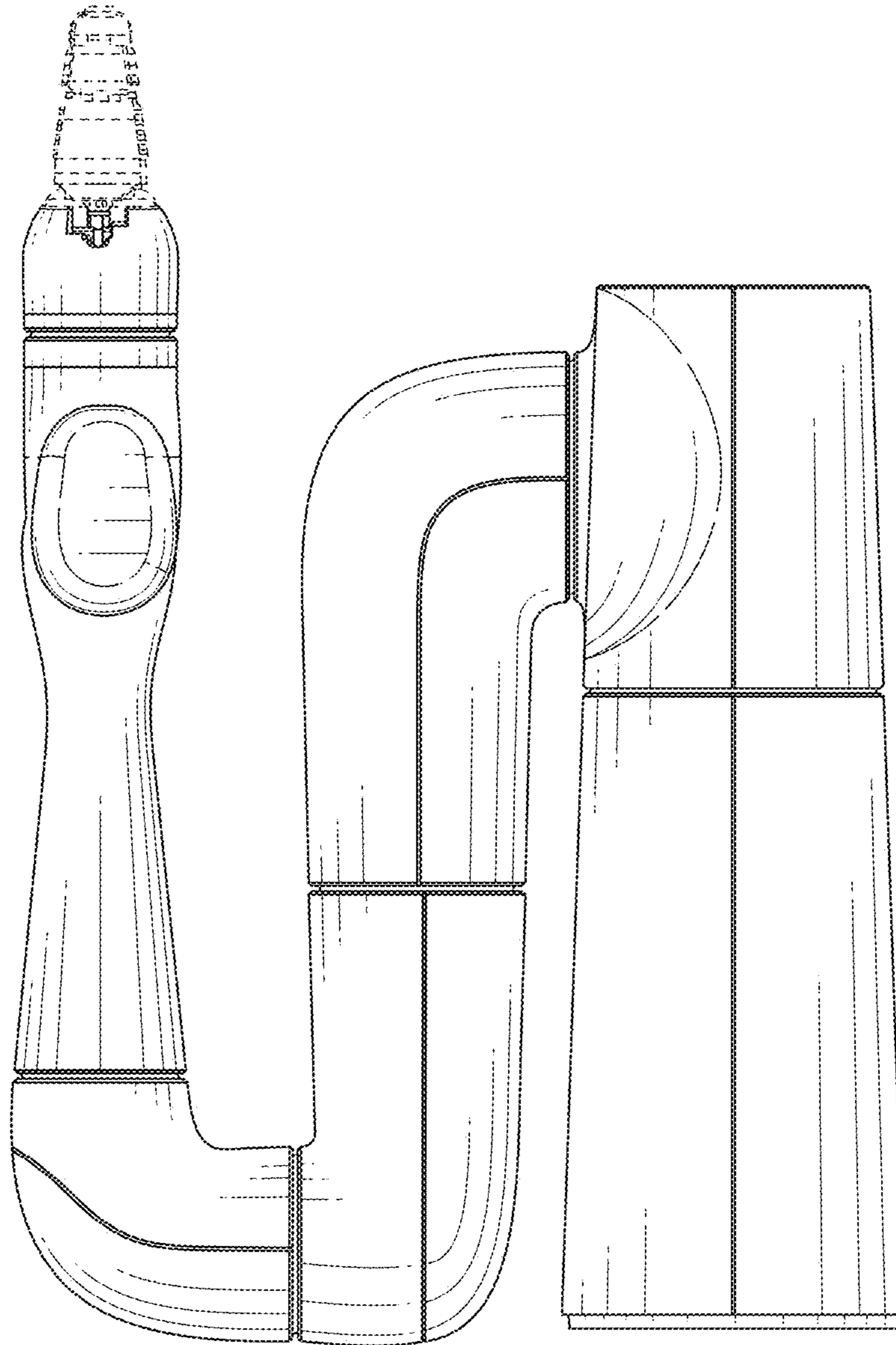


FIG. 4

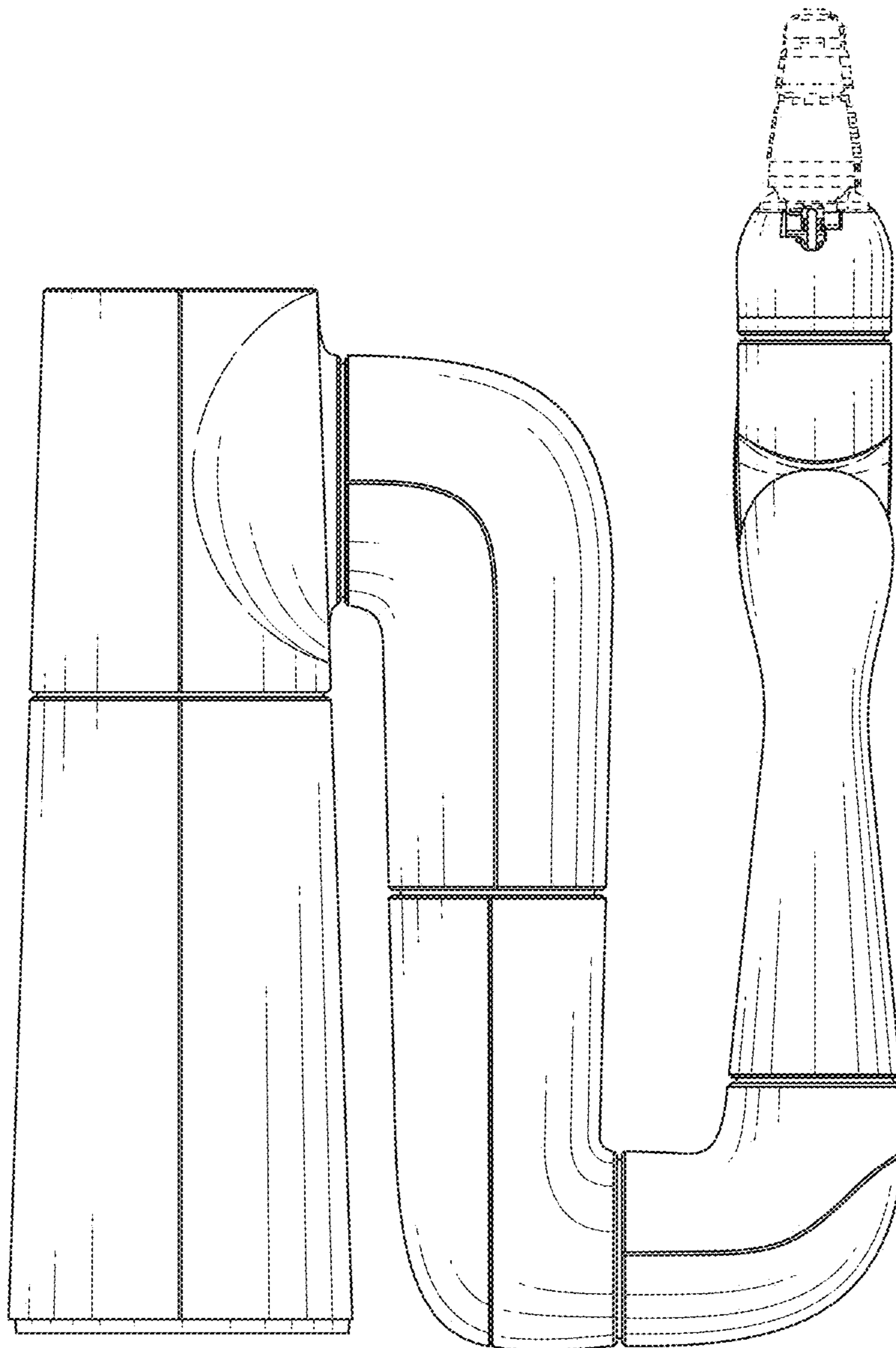


FIG. 5

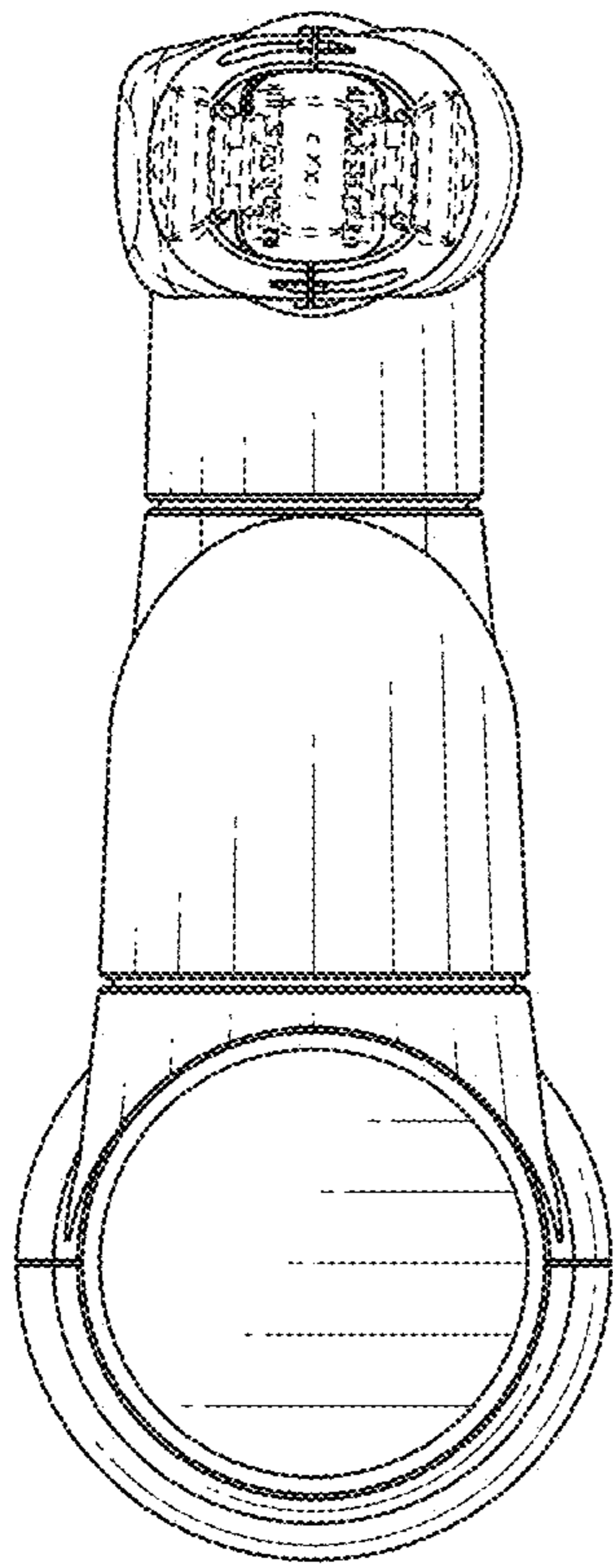


FIG. 6

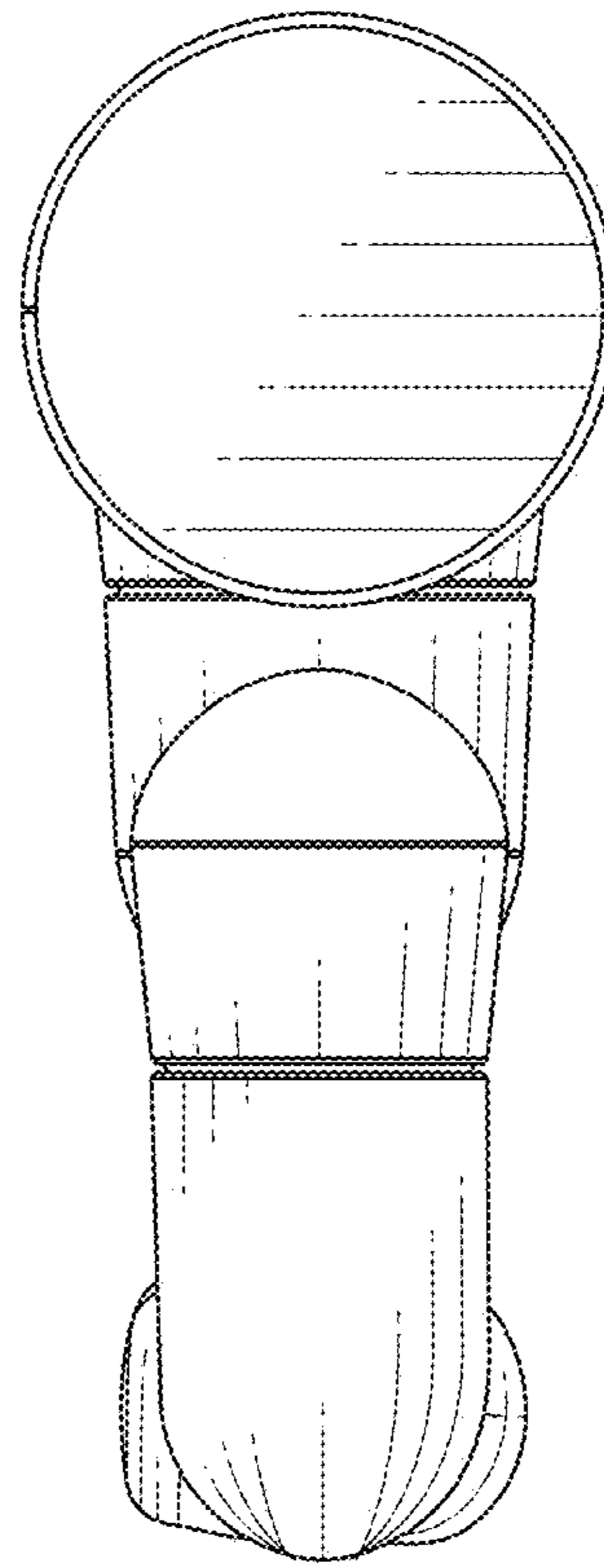


FIG. 7