



US00D912116S

(12) **United States Design Patent**  
**Tran et al.**

(10) **Patent No.:** **US D912,116 S**

(45) **Date of Patent:** **\*\* Mar. 2, 2021**

- (54) **MAST FOR A ROBOT**
- (71) Applicant: **X Development LLC**, Mountain View, CA (US)
- (72) Inventors: **John Tran**, Mountain View, CA (US);  
**Matthew Day**, Oakland, CA (US)
- (73) Assignee: **X Development LLC**, Mountain View, CA (US)
- (\*\*) Term: **15 Years**
- (21) Appl. No.: **29/705,873**
- (22) Filed: **Sep. 16, 2019**
- (51) **LOC (13) Cl.** ..... **15-99**
- (52) **U.S. Cl.**  
USPC ..... **D15/199**
- (58) **Field of Classification Search**  
USPC ..... D15/122, 199; D21/578-583; D32/21;  
D34/34  
CPC ..... B25J 5/007; B60B 19/006; B62D 57/024;  
H01F 7/0221  
See application file for complete search history.

- D572,739 S \* 7/2008 Jennings ..... D15/199
- D610,926 S \* 3/2010 Gerent ..... D10/63
- D627,376 S \* 11/2010 Mizutani ..... D15/199
- D643,319 S \* 8/2011 Ferrari ..... D10/63
- D675,656 S \* 2/2013 Sutherland ..... D15/199
- D712,447 S \* 9/2014 He ..... D15/199
- D716,357 S \* 10/2014 Gombert ..... D15/199
- D776,178 S \* 1/2017 Ries ..... D15/199
- D782,553 S \* 3/2017 Goto ..... D15/199
- D802,041 S \* 11/2017 He ..... D15/199
- D830,439 S \* 10/2018 Park ..... D15/199
- D837,853 S \* 1/2019 Deng ..... D15/199
- D841,712 S \* 2/2019 Hontani ..... D15/199
- D844,039 S \* 3/2019 Yoon ..... D15/199
- D865,828 S \* 11/2019 Bogart ..... D15/199
- D873,878 S \* 1/2020 Vazquez ..... D15/199
- D874,530 S \* 2/2020 Haddadin ..... D15/199
- D874,534 S \* 2/2020 Matsuo ..... D16/203
- D877,787 S \* 3/2020 Kinoshita ..... D15/199
- D878,443 S \* 3/2020 Abe ..... D15/199

(Continued)

*Primary Examiner* — Patricia A Palasik

(74) *Attorney, Agent, or Firm* — McDonnell Boehnen Hulbert & Berghoff LLP

(57) **CLAIM**

The ornamental design for a mast for a robot, as shown and described.

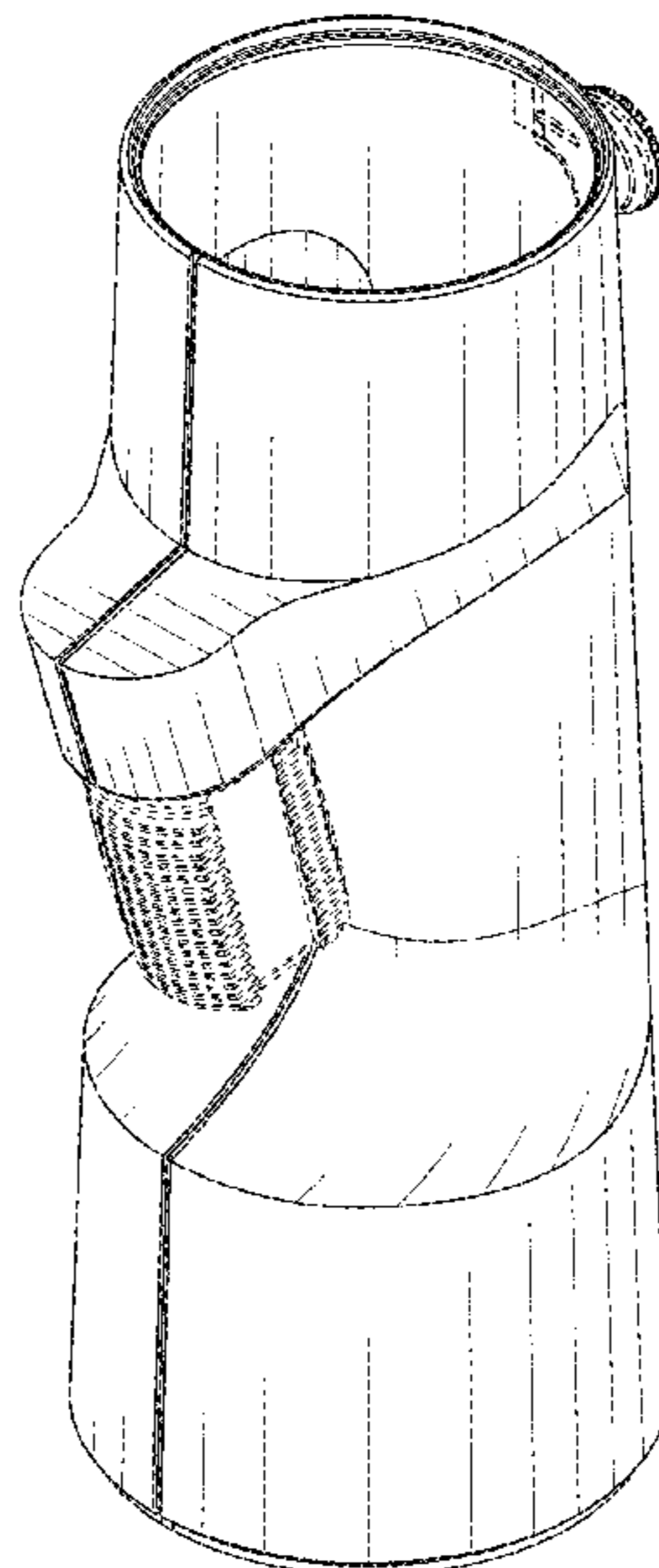
**DESCRIPTION**

FIG. 1 is a mast for a robot in a perspective view;  
 FIG. 2 is a front view thereof;  
 FIG. 3 is a rear view thereof;  
 FIG. 4 is a right side view thereof;  
 FIG. 5 is a left side view thereof;  
 FIG. 6 is a top view thereof; and,  
 FIG. 7 is a bottom view thereof.  
 The broken lines are included for the purpose of illustrating portions of the mast for a robot that form no part of the claimed design.

**1 Claim, 4 Drawing Sheets**

(56) **References Cited**  
 U.S. PATENT DOCUMENTS

- D273,300 S \* 4/1984 Molaug ..... D15/122
- 4,505,049 A \* 3/1985 Kuno ..... B25J 9/046  
33/1 PT
- 4,606,695 A \* 8/1986 Lenz ..... B25J 9/046  
414/735
- 4,693,663 A \* 9/1987 Brenholt ..... B25J 9/047  
414/735
- 4,766,775 A \* 8/1988 Hodge ..... B25J 9/08  
74/490.01
- D298,834 S \* 12/1988 Jones ..... D15/122
- D344,280 S \* 2/1994 Koyama ..... D15/199
- D423,534 S \* 4/2000 Raab ..... D15/199
- D490,831 S \* 6/2004 Raab ..... D15/199



(56)

**References Cited**

U.S. PATENT DOCUMENTS

D892,888 S \* 8/2020 Random ..... D15/199  
D902,273 S \* 11/2020 Iura ..... D15/199  
D902,274 S \* 11/2020 Iura ..... D15/199  
2016/0327383 A1 \* 11/2016 Becker ..... G01B 11/005

\* cited by examiner

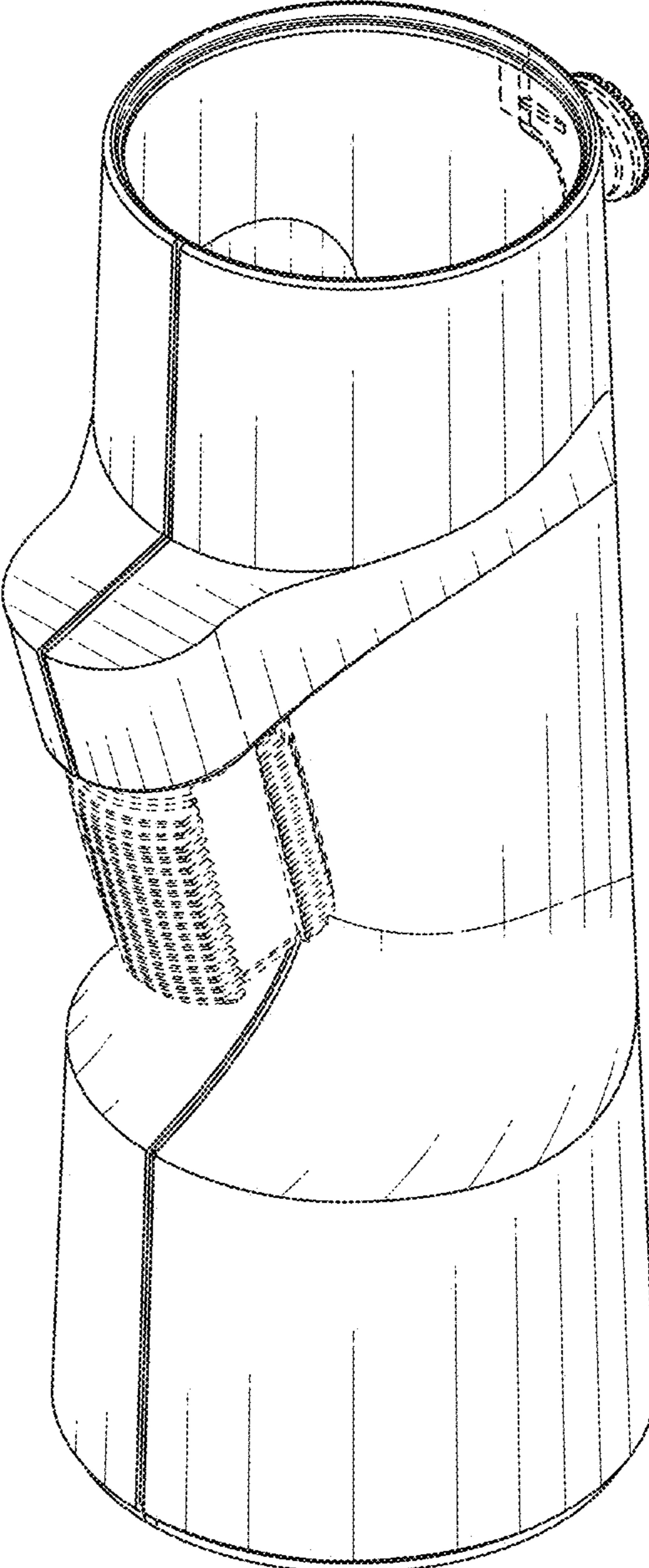


FIG. 1

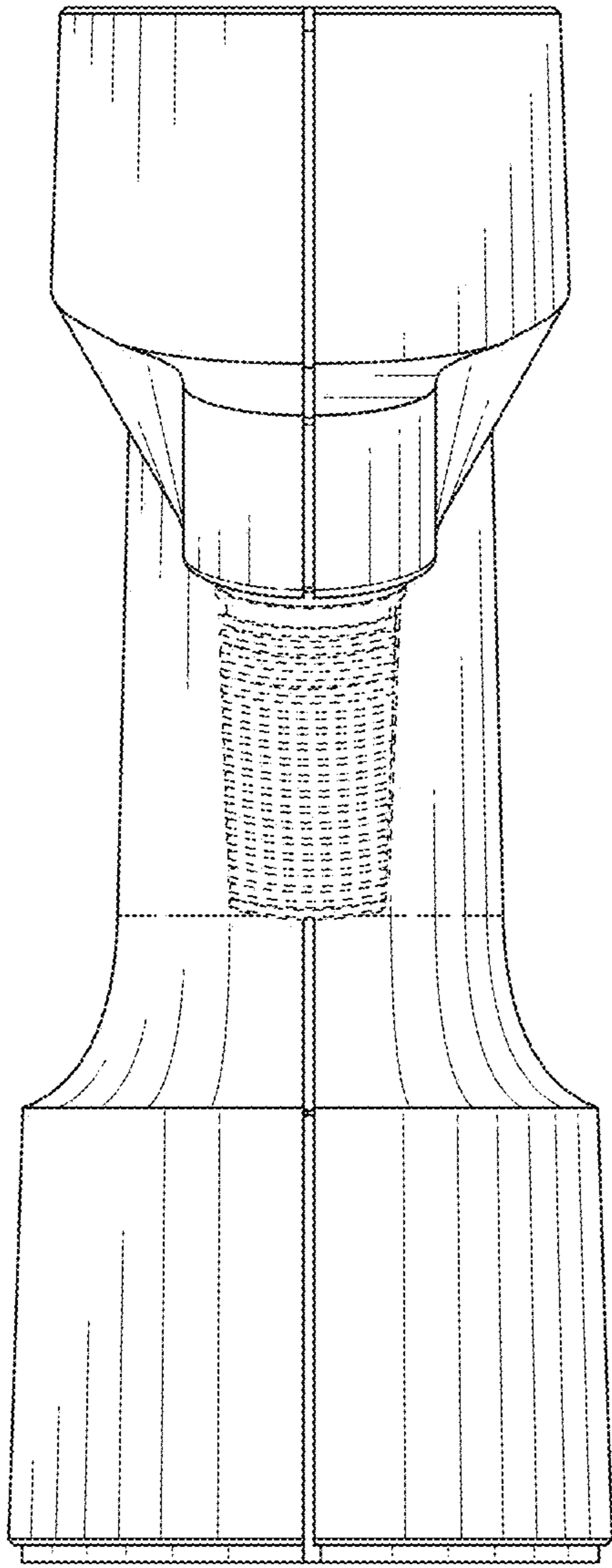


FIG. 2

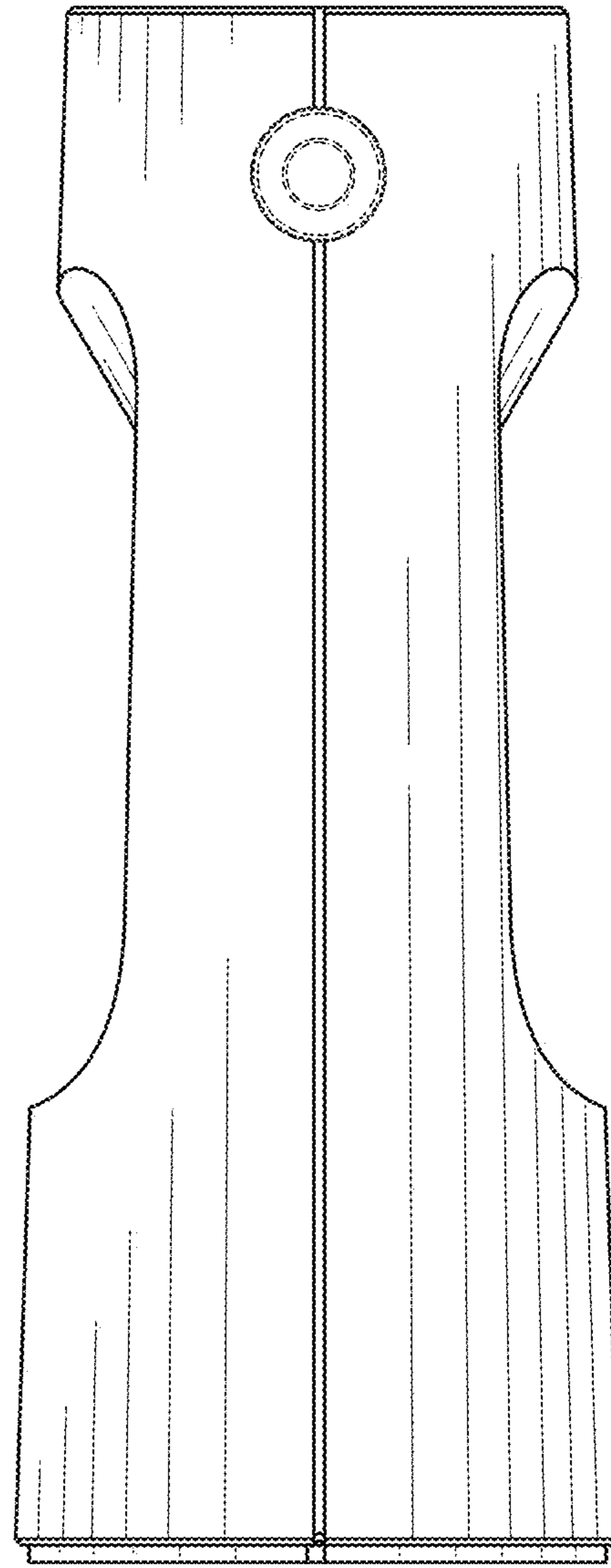


FIG. 3



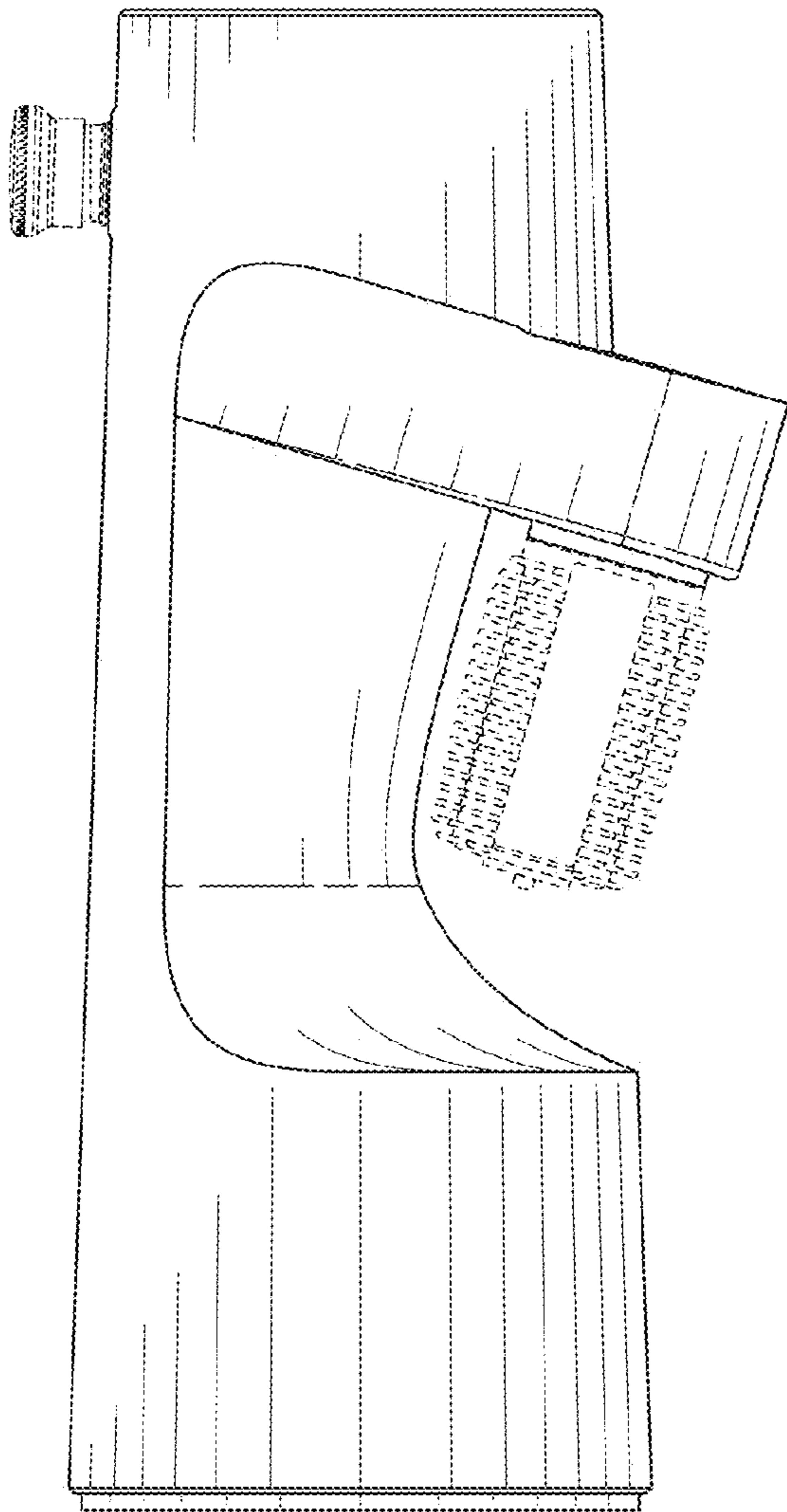


FIG. 4

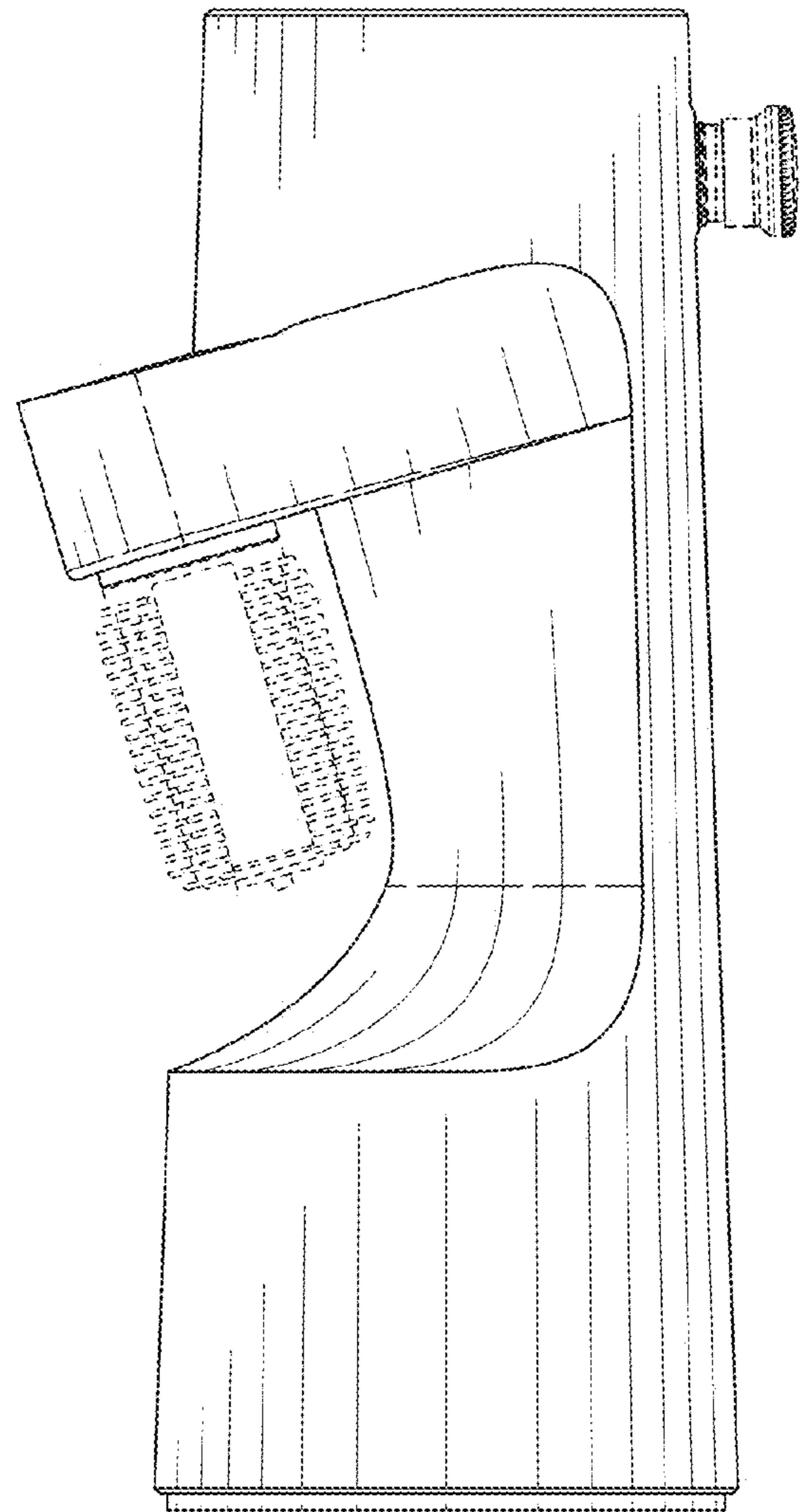


FIG. 5

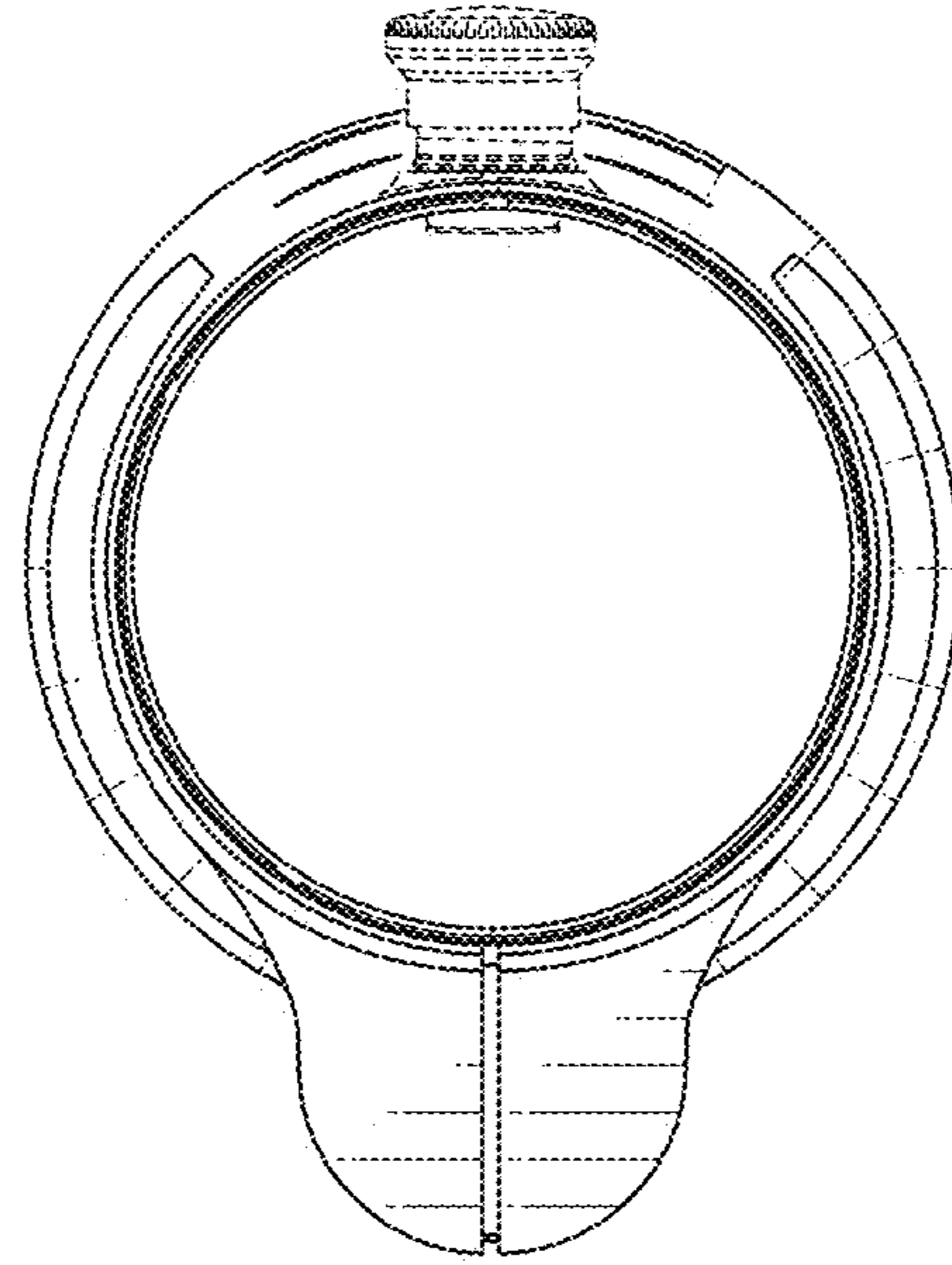


FIG. 6

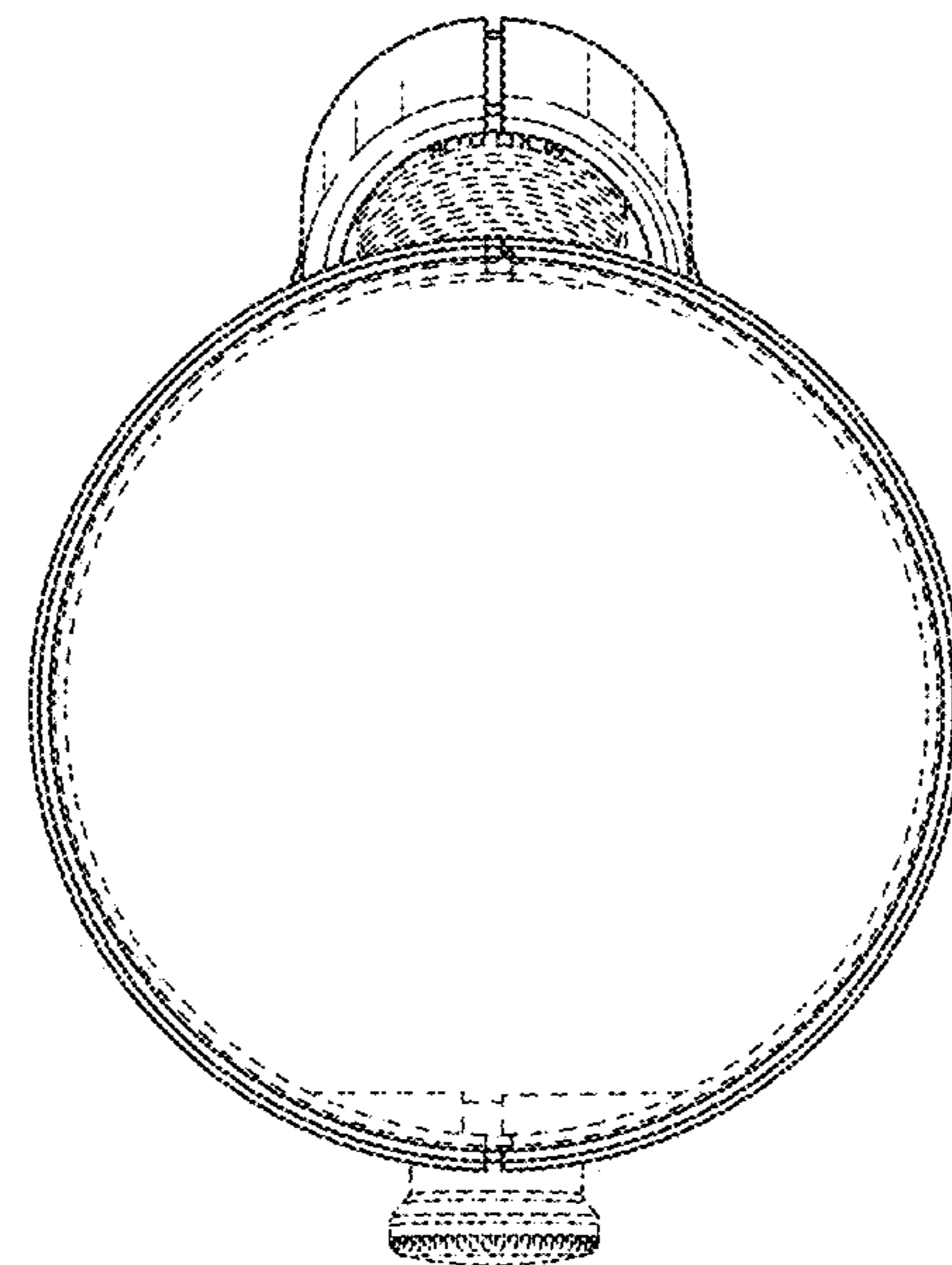


FIG. 7