



US00D912112S

(12) **United States Design Patent**
Gou

(10) **Patent No.:** **US D912,112 S**
(45) **Date of Patent:** **** Mar. 2, 2021**

(54) **CONTROLLING APPARATUS FOR
SOLDERING**

(71) Applicant: **Guangzhou Yihua Electronic
Equipment Co., Ltd.**, Guangdong (CN)

(72) Inventor: **Mingkang Gou**, Guangdong (CN)

(73) Assignee: **Guangzhou Yihua Electronic
Equipment Co., Ltd.**, Guangdong (CN)

(**) Term: **15 Years**

(21) Appl. No.: **29/690,750**

(22) Filed: **May 10, 2019**

(51) **LOC (13) Cl.** **15-09**

(52) **U.S. Cl.**
USPC **D15/144.2**; D15/144

(58) **Field of Classification Search**
USPC D8/29, 29.1, 29.2, 30, 70, 71; D10/46,
D10/50, 78; D13/123, 133; D14/126;
D15/122, 127, 144, 144.1, 144.2;
D24/107, 232
CPC B23K 3/033; B23K 3/0369; B23K 3/08;
G05D 23/2401; G02B 27/2214; G02B
3/0068; G02B 6/06

See application file for complete search history.

(56) **References Cited**

U.S. PATENT DOCUMENTS

D311,544 S * 10/1990 Hayes D15/127
D398,016 S * 9/1998 Neef D15/144.2
D618,353 S * 6/2010 Sanga D13/163
D831,715 S * 10/2018 Gou D15/144

* cited by examiner

Primary Examiner — Michael C Stout

Assistant Examiner — Fitzgerald L Butac

(74) *Attorney, Agent, or Firm* — Lucas & Mercanti, LLP

(57) **CLAIM**

The ornamental design for a controlling apparatus for sol-
dering, as shown and described.

DESCRIPTION

FIG. 1 is a perspective view of the controlling apparatus for
soldering;

FIG. 2 is a front view thereof;

FIG. 3 is a rear view thereof;

FIG. 4 is a left side view thereof;

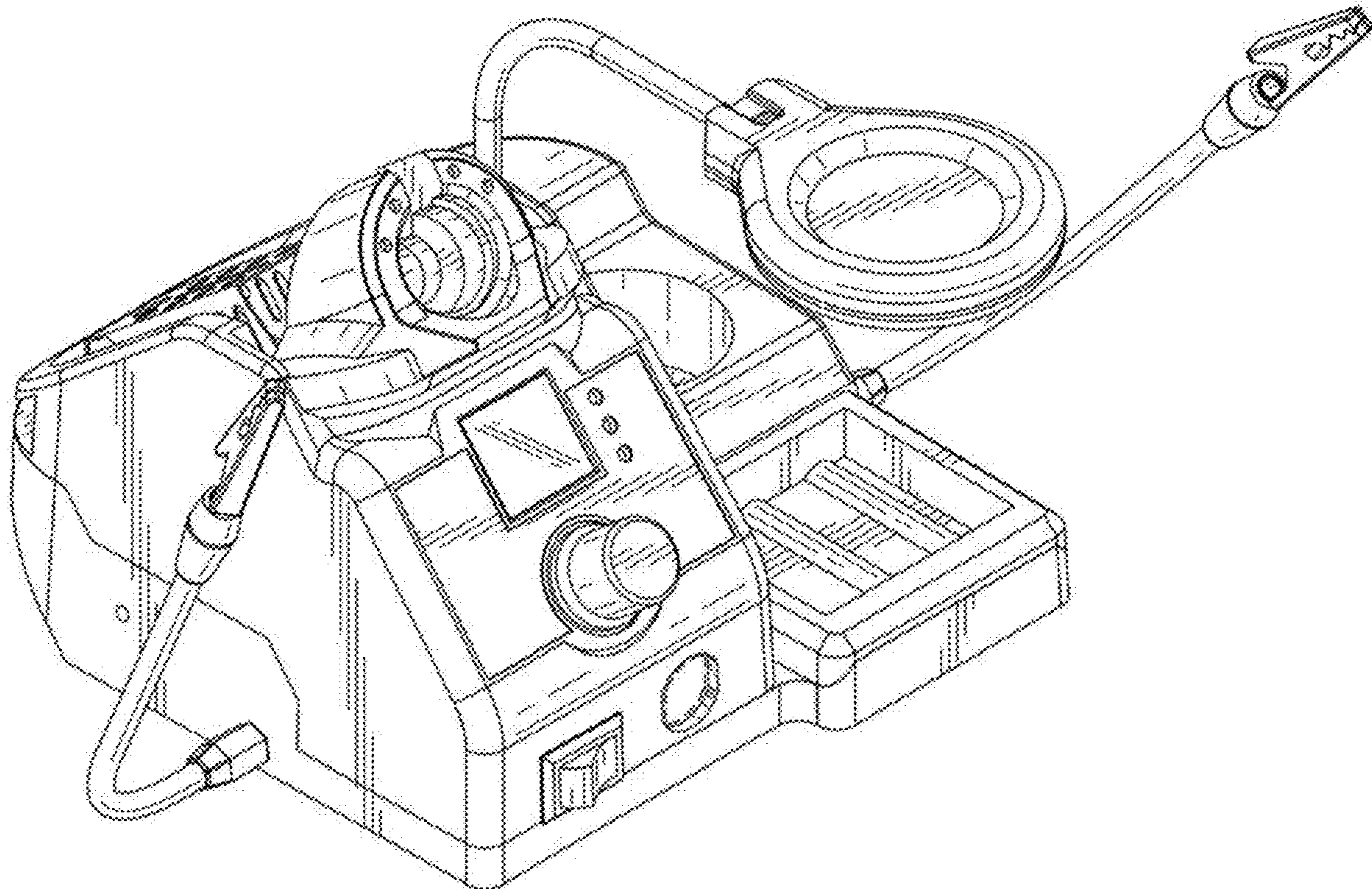
FIG. 5 is a right side view thereof;

FIG. 6 is a top view thereof; and,

FIG. 7 is a bottom view thereof.

The broken lines show portions of a controlling apparatus
for soldering that form no part of the claimed design.

1 Claim, 7 Drawing Sheets



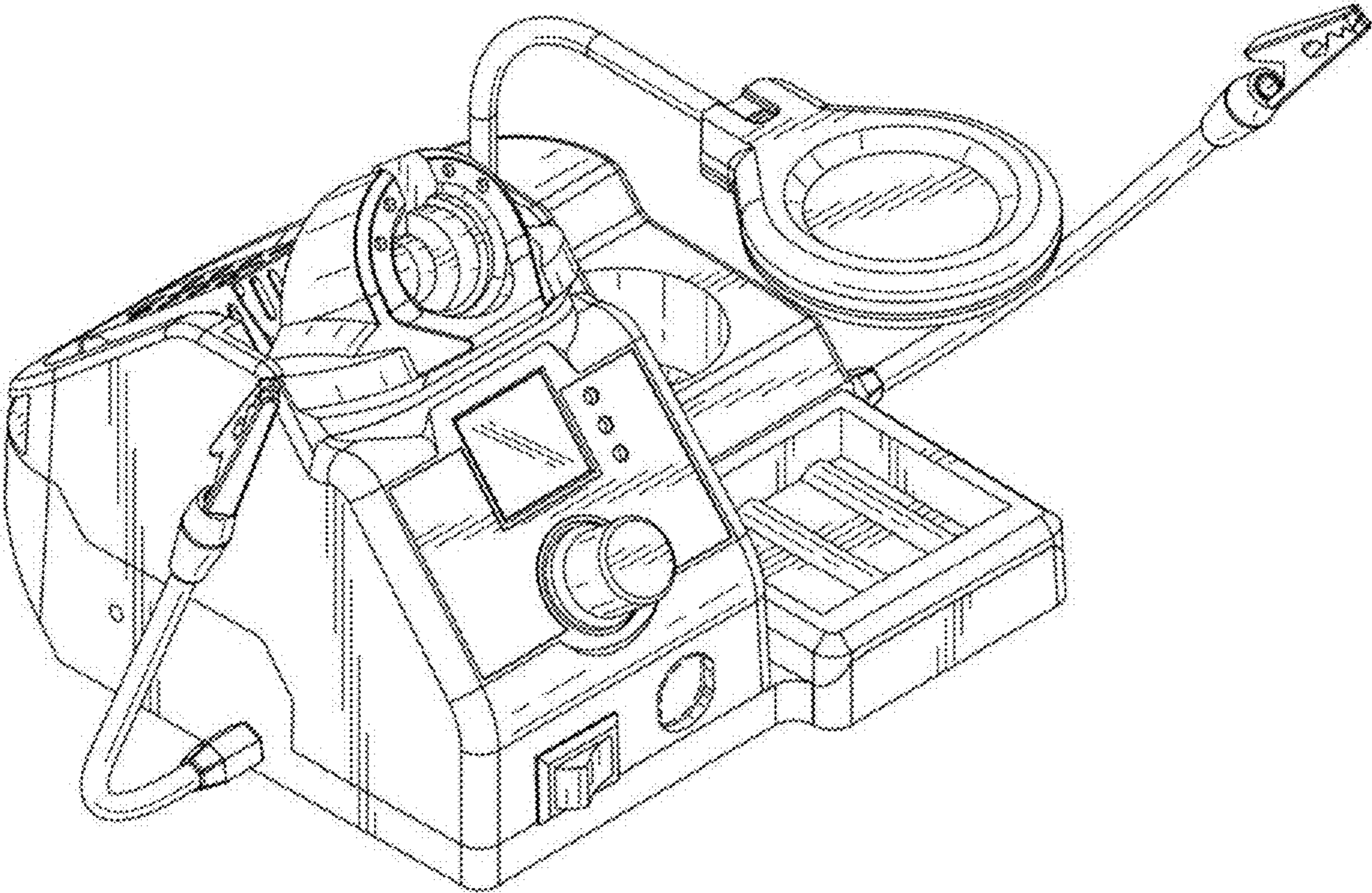


FIG. 1

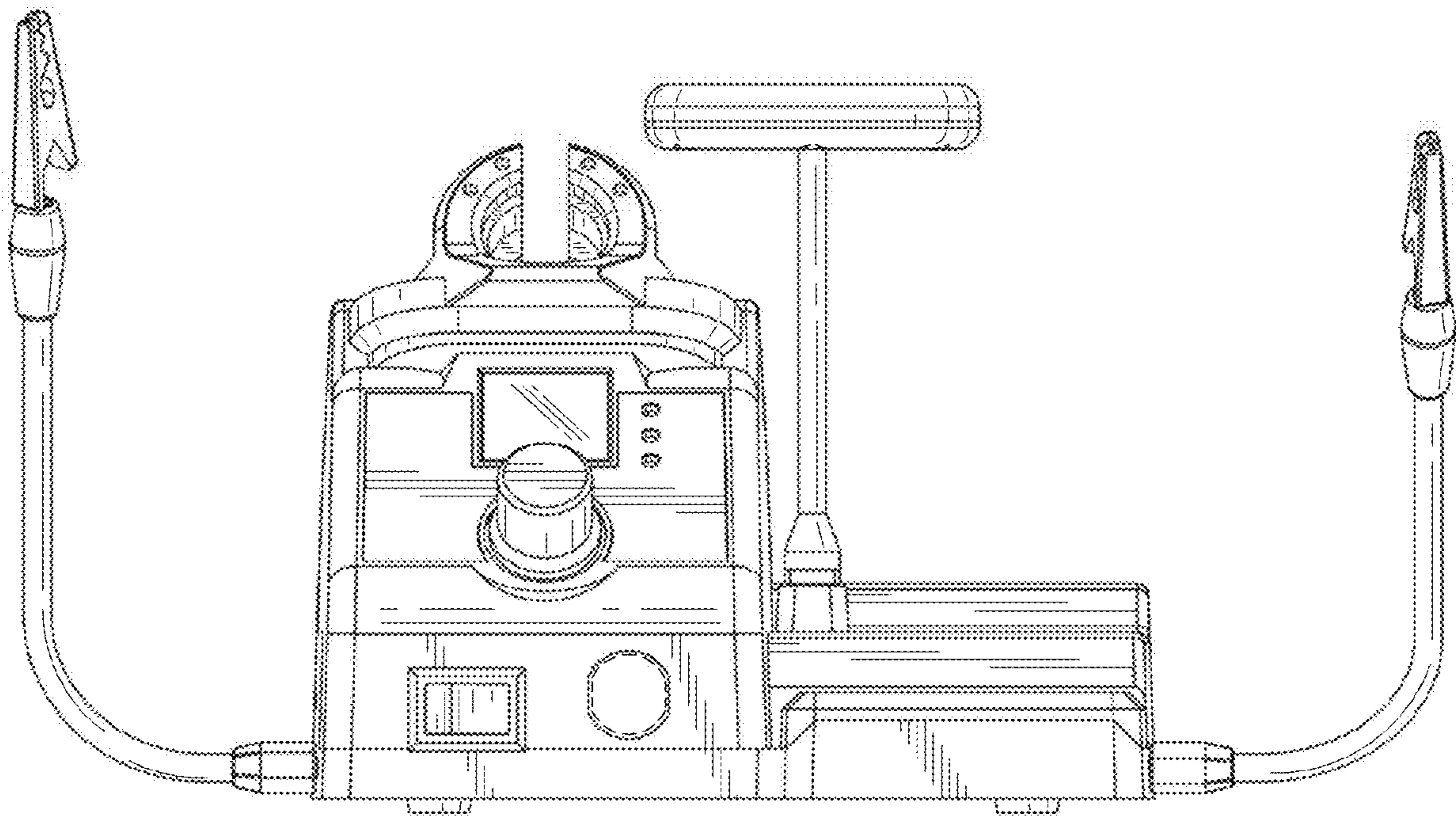


FIG. 2

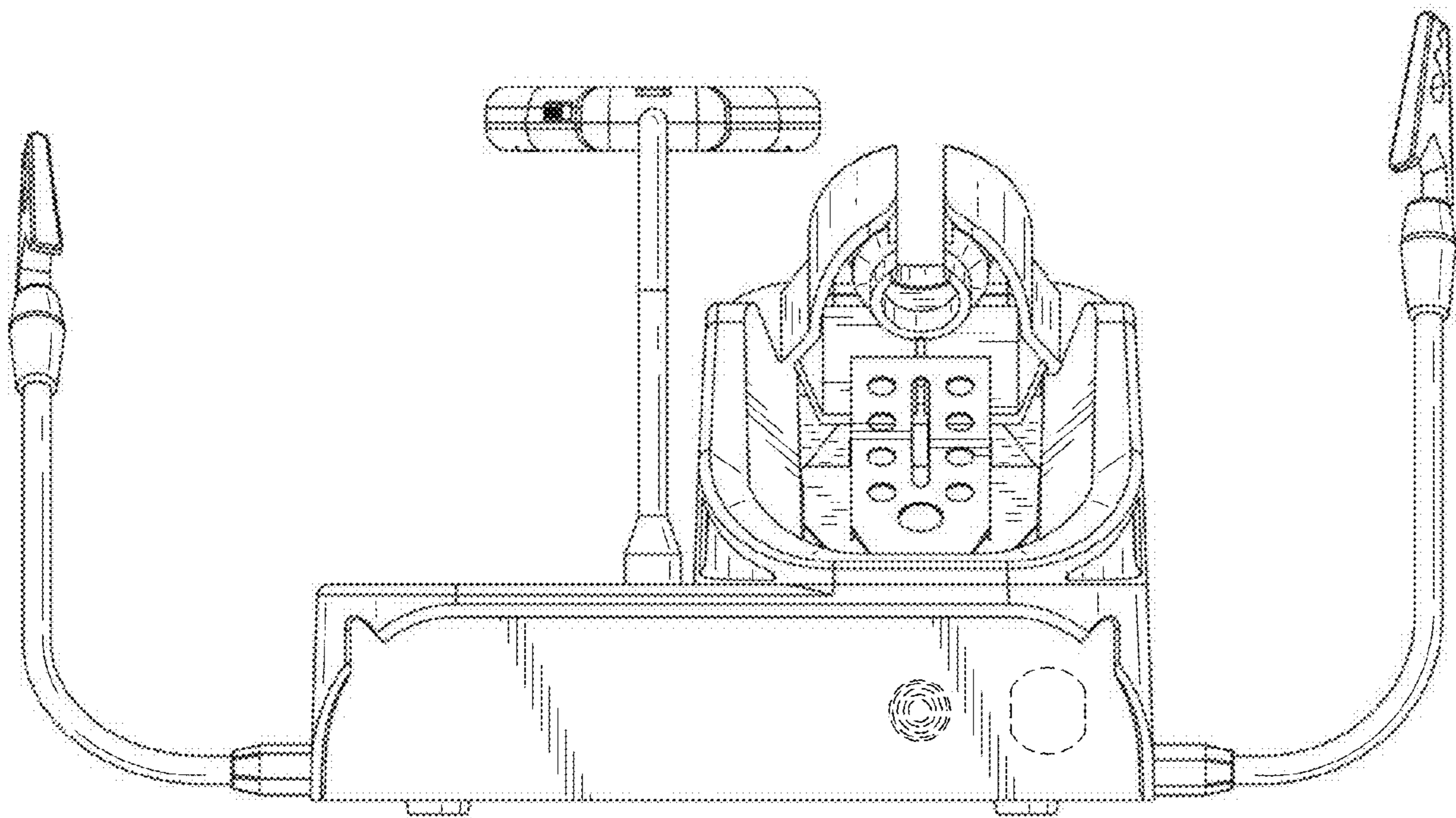


FIG. 3

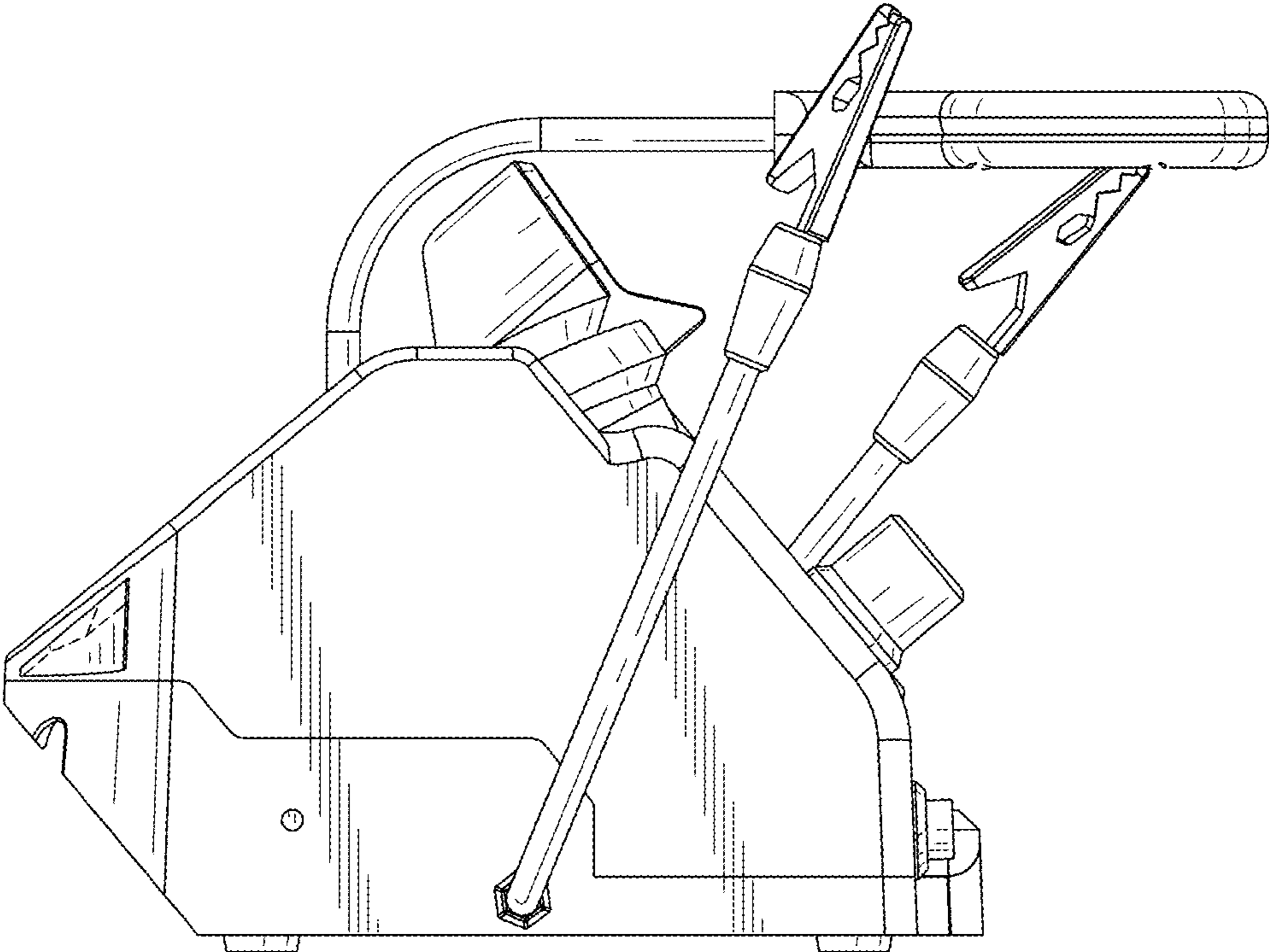


FIG. 4

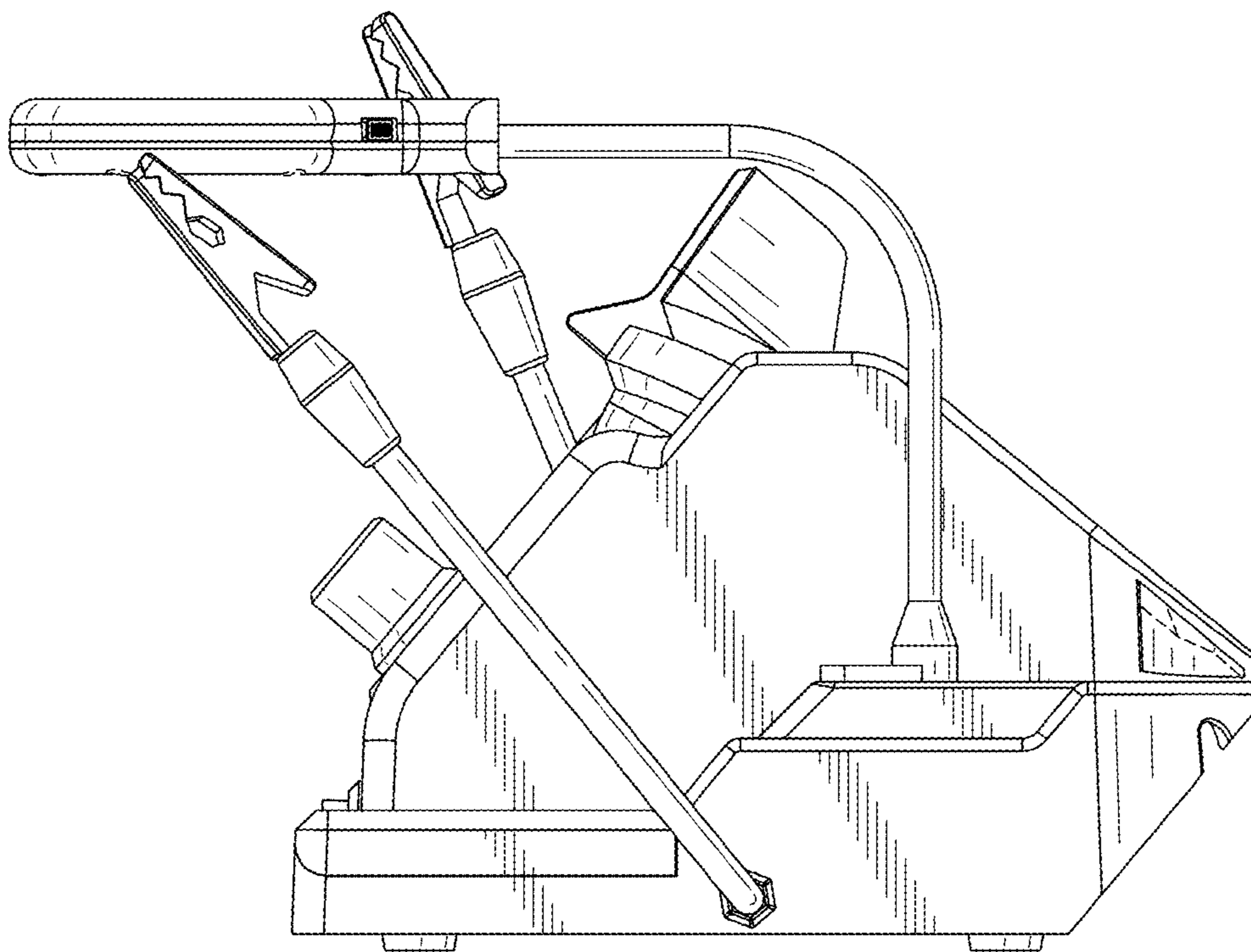


FIG. 5

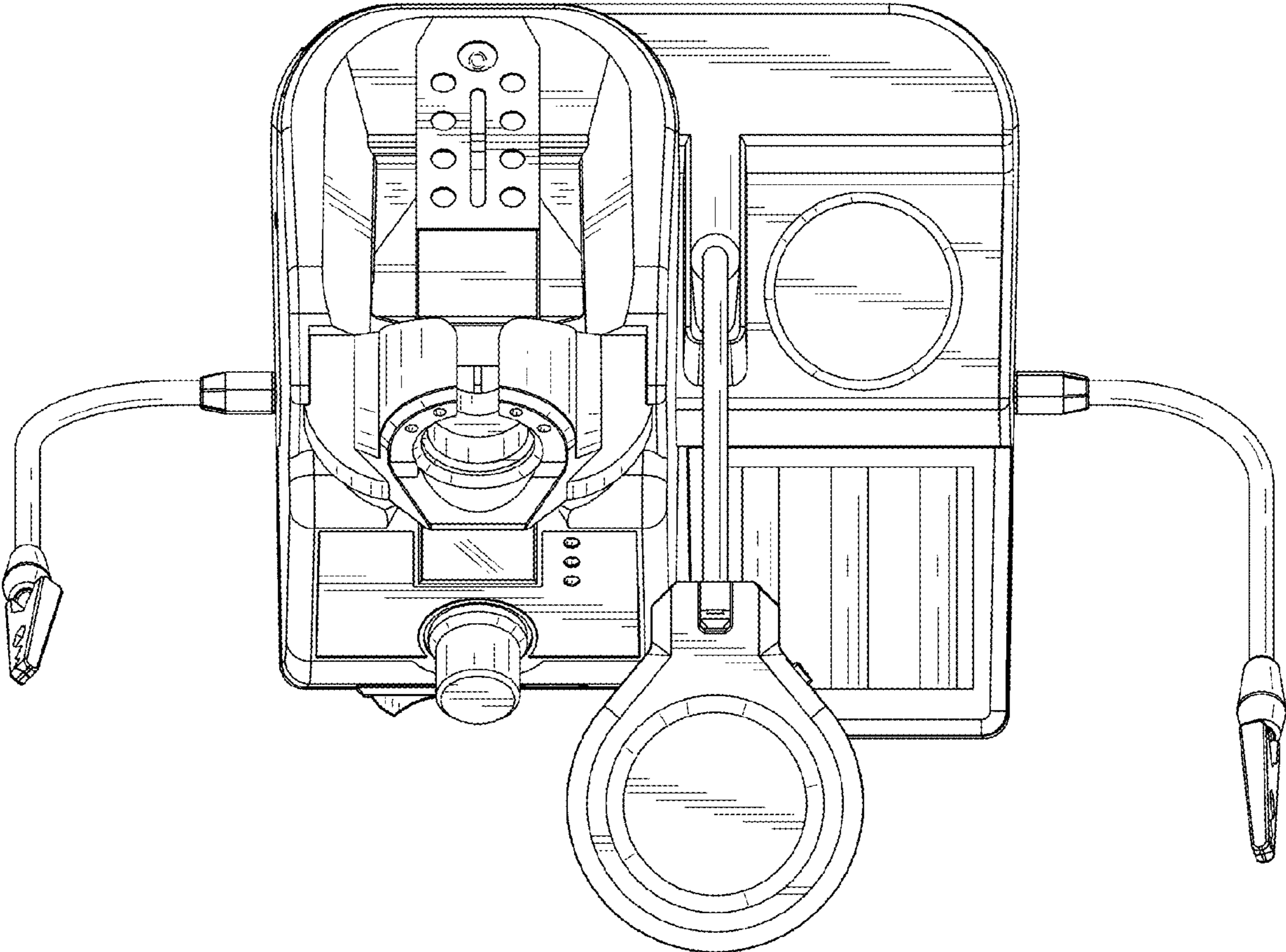


FIG. 6

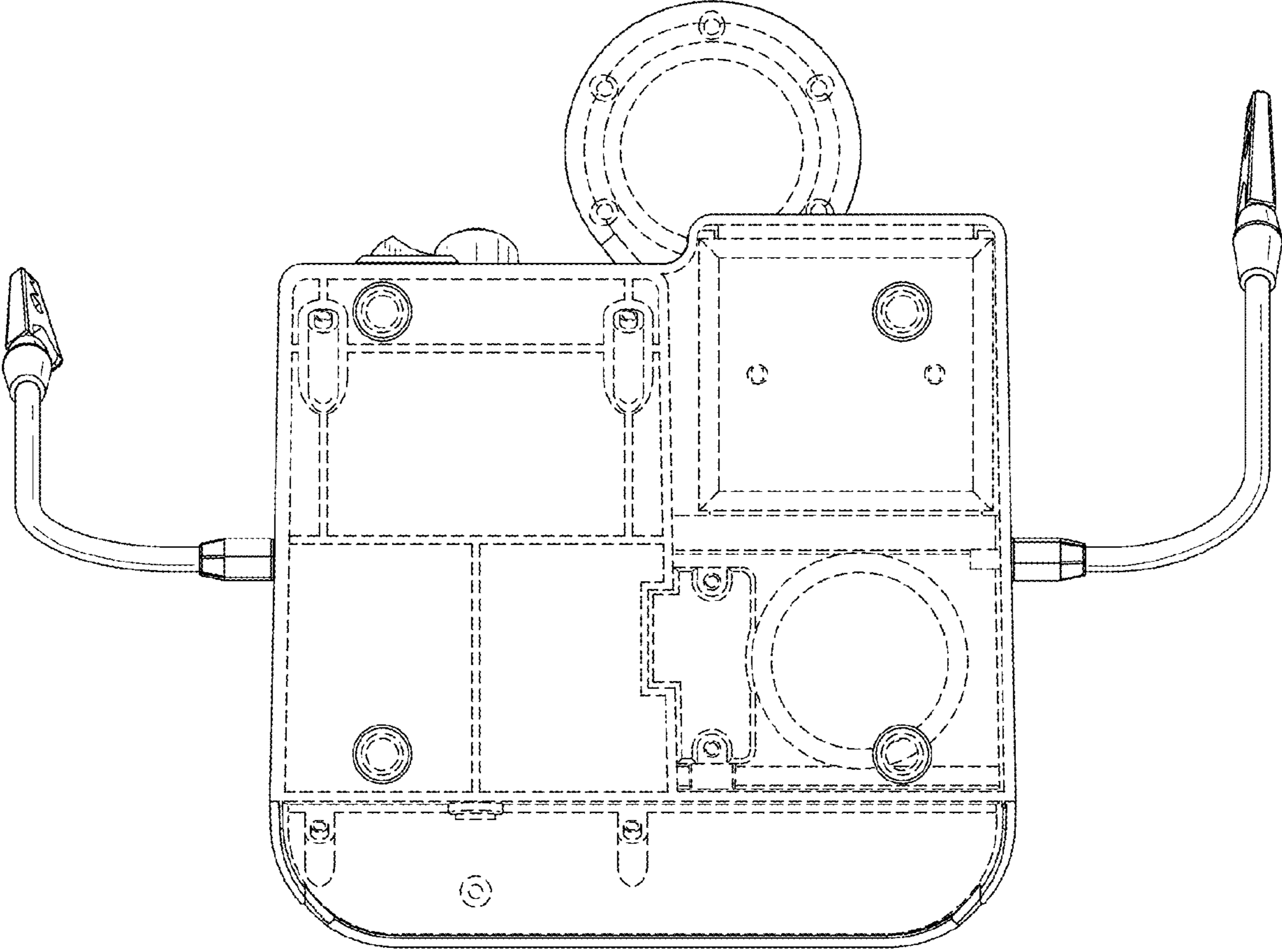


FIG. 7