



US00D912110S

(12) **United States Design Patent**
Cornish

(10) **Patent No.:** **US D912,110 S**
(45) **Date of Patent:** **** Mar. 2, 2021**

(54) **FLOATING SUPPORT STRUCTURE**

(71) Applicant: **Charles A. Cornish**, Nashville, MI (US)

(72) Inventor: **Charles A. Cornish**, Nashville, MI (US)

(**) Term: **15 Years**

(21) Appl. No.: **29/676,897**

(22) Filed: **Jan. 15, 2019**

(51) **LOC (13) Cl.** **15-09**

(52) **U.S. Cl.**
USPC **D15/141; D23/207; D23/208**

(58) **Field of Classification Search**
USPC D15/122, 138, 141, 143; D23/207, 208, D23/209, 210; D32/35; D06/708.16, D06/708.22, 708, 675, 675.5, 681, D06/688.15, 688.16, 691.6, 691.7; 210/167.1, 167.2, 242.1, 323.2
CPC ... E04H 4/16; E02B 15/04; C02F 1/40; C02F 1/001; C02F 1/004; B01D 35/02; B01D 35/05; B01D 29/52; B01D 29/0072; B01D 29/35; B01D 21/0027; B01D 17/0214

See application file for complete search history.

(56) **References Cited**

U.S. PATENT DOCUMENTS

D321,770 S	*	11/1991	Armour	D32/25
D413,210 S	*	8/1999	Haserjian	D6/680.3
D606,337 S	*	12/2009	Lee	D6/349
D668,084 S	*	10/2012	Lehman-Smith	D6/708
D703,473 S	*	4/2014	Polidoros	D6/708
D743,723 S	*	11/2015	Sweetland	D6/708
D744,266 S	*	12/2015	Polidoros	D6/708.16
D744,267 S	*	12/2015	Polidoros	D6/708.16
D744,268 S	*	12/2015	Polidoros	D6/708.16
D750,922 S	*	3/2016	Weidler	D6/708.16
D772,622 S	*	11/2016	Young	D6/691
D856,725 S	*	8/2019	Maughan	D6/708

(Continued)

OTHER PUBLICATIONS

Floating Support Structure, Earliest available date Jun. 30, 2013 [Online], [Site visited Jul. 29, 2020] Available From Internet, URL:<https://www.researchgate.net/figure/Floating-support-structure-of-the-system-Tri-floater-configuration_fig2_267648875> (Year: 2013).*

(Continued)

Primary Examiner — Sandra Snapp

Assistant Examiner — Donald B Rose, Jr.

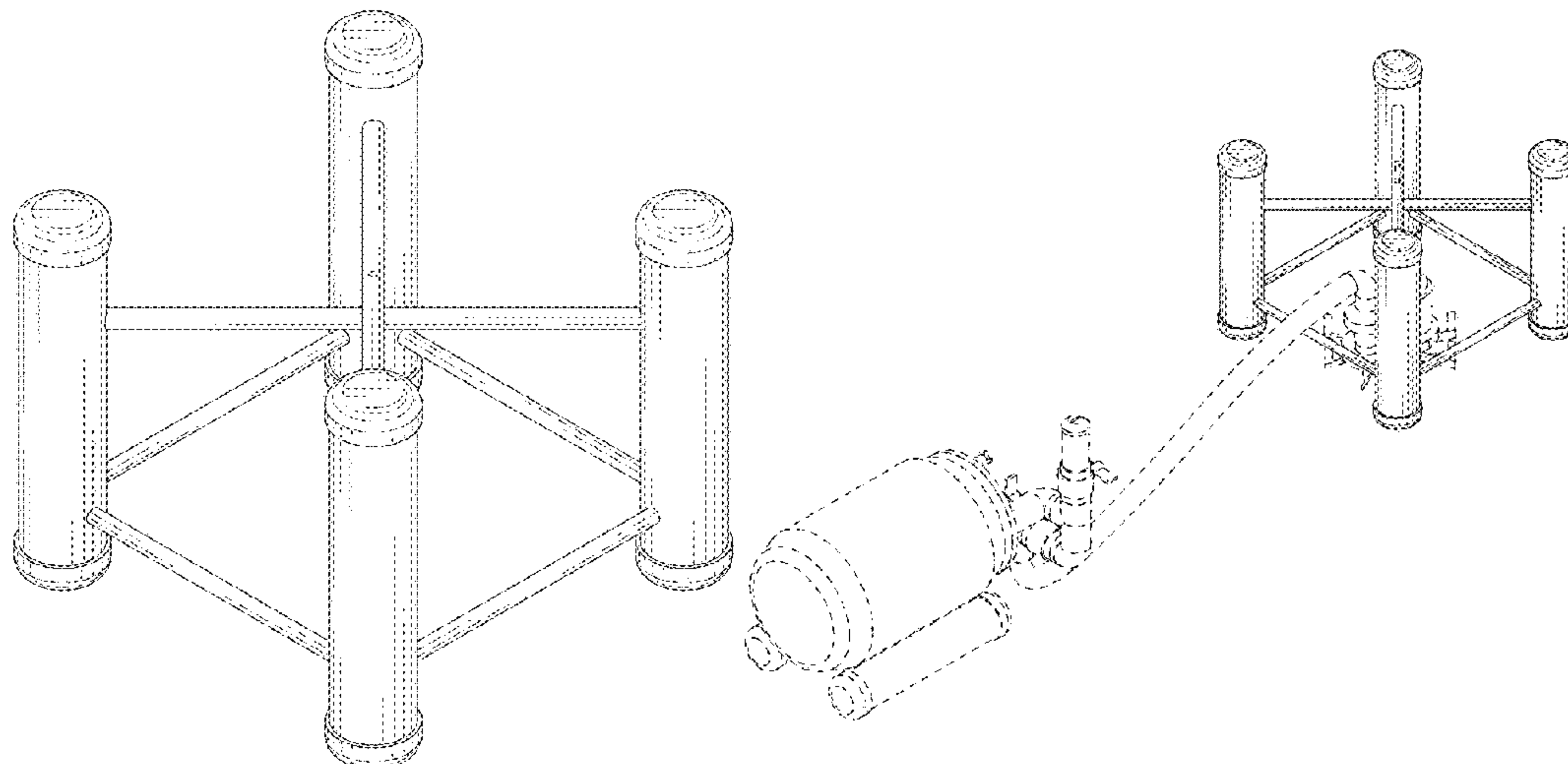
(57) **CLAIM**

The ornamental design for a floating support structure, as shown and described.

DESCRIPTION

FIG. 1 is a top perspective view of a floating support structure showing my new design;
 FIG. 2 is a bottom perspective view thereof;
 FIG. 3 is a front view thereof;
 FIG. 4 is a rear view thereof;
 FIG. 5 is a top view thereof;
 FIG. 6 is a bottom view thereof;
 FIG. 7 is a left side view thereof;
 FIG. 8 is a right side view thereof;
 FIG. 9 is a perspective view thereof, wherein the floating support structure has been fitted with an intake pump and filter apparatus; and,
 FIG. 10 is an alternate perspective view thereof, wherein the floating support structure has been fitted with an intake pump and filter apparatus.
 The Broken Lines in the drawings show portions of the floating support structure that form no part of the claimed design.
 The broken lines in FIGS. 9 and 10 depicting an intake pump and filtration apparatus illustrate environmental structure that forms no part of the claimed design.

1 Claim, 10 Drawing Sheets



(56)

References Cited

U.S. PATENT DOCUMENTS

D905,198 S * 12/2020 Kemmer D23/209
2011/0142683 A1* 6/2011 Sharples H02K 7/1838
416/244 R
2012/0318186 A1* 12/2012 Thieffry B63B 1/107
114/264
2016/0272284 A1* 9/2016 Grossmann B63B 21/502

OTHER PUBLICATIONS

Floating Pool Skimmer USA Micro Oil Skimmer, Published by FloatingSkimmersUSA on Jul. 11, 2013 [Online], [Site visited Jul. 29, 2020] Available From Internet, URL:<https://www.youtube.com/watch?v=Xe5jroHbBPw&feature=emb_logo> (Year: 2013).*

Deep Water, Earliest available date Jul. 31, 2013 [Online], [Site visited Jul. 29, 2020] Available From Internet, URL:<http://www.ewea.org/fileadmin/files/library/publications/reports/Deep_Water.pdf> (Year: 2013).*

* cited by examiner

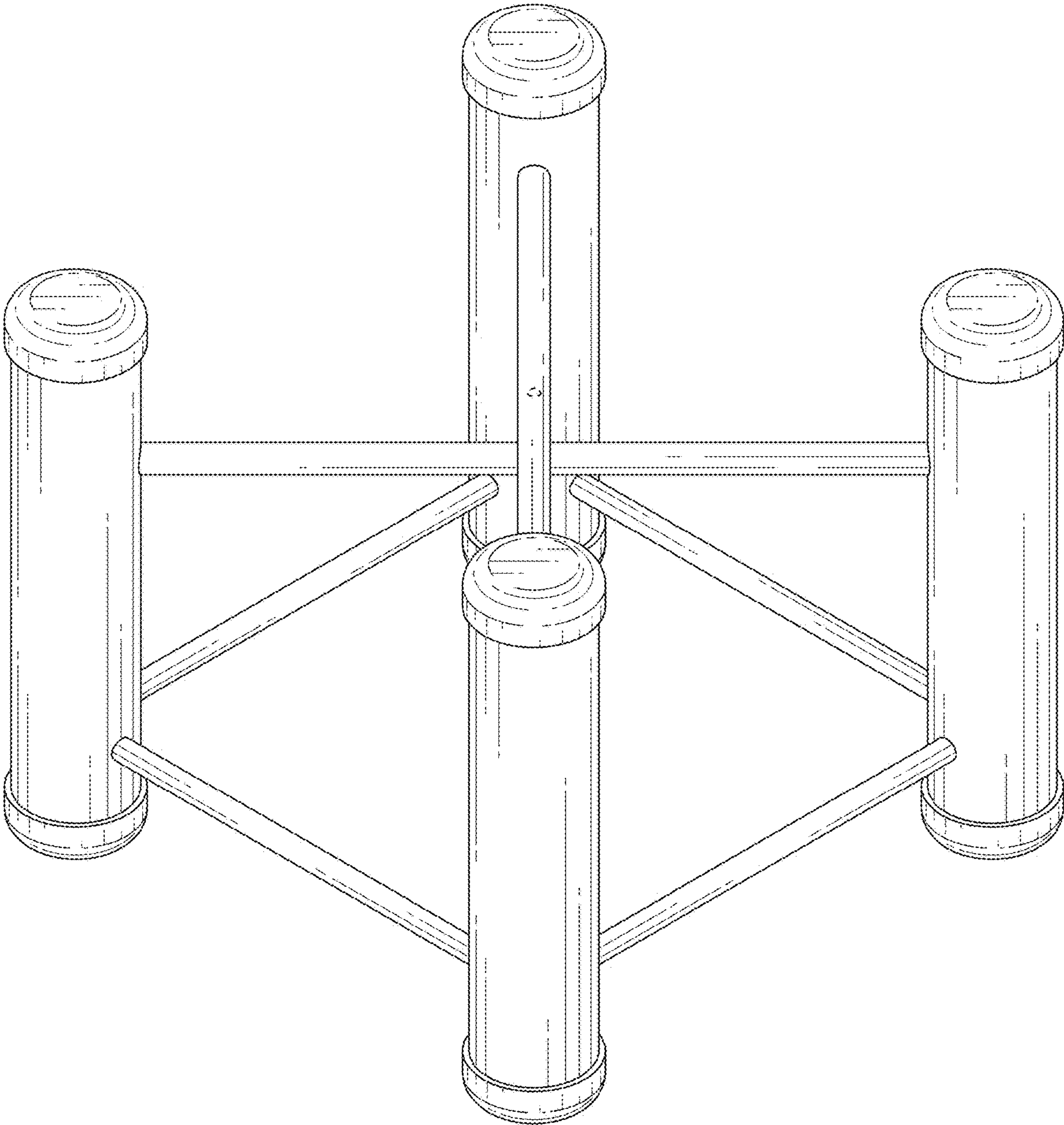


FIG. 1

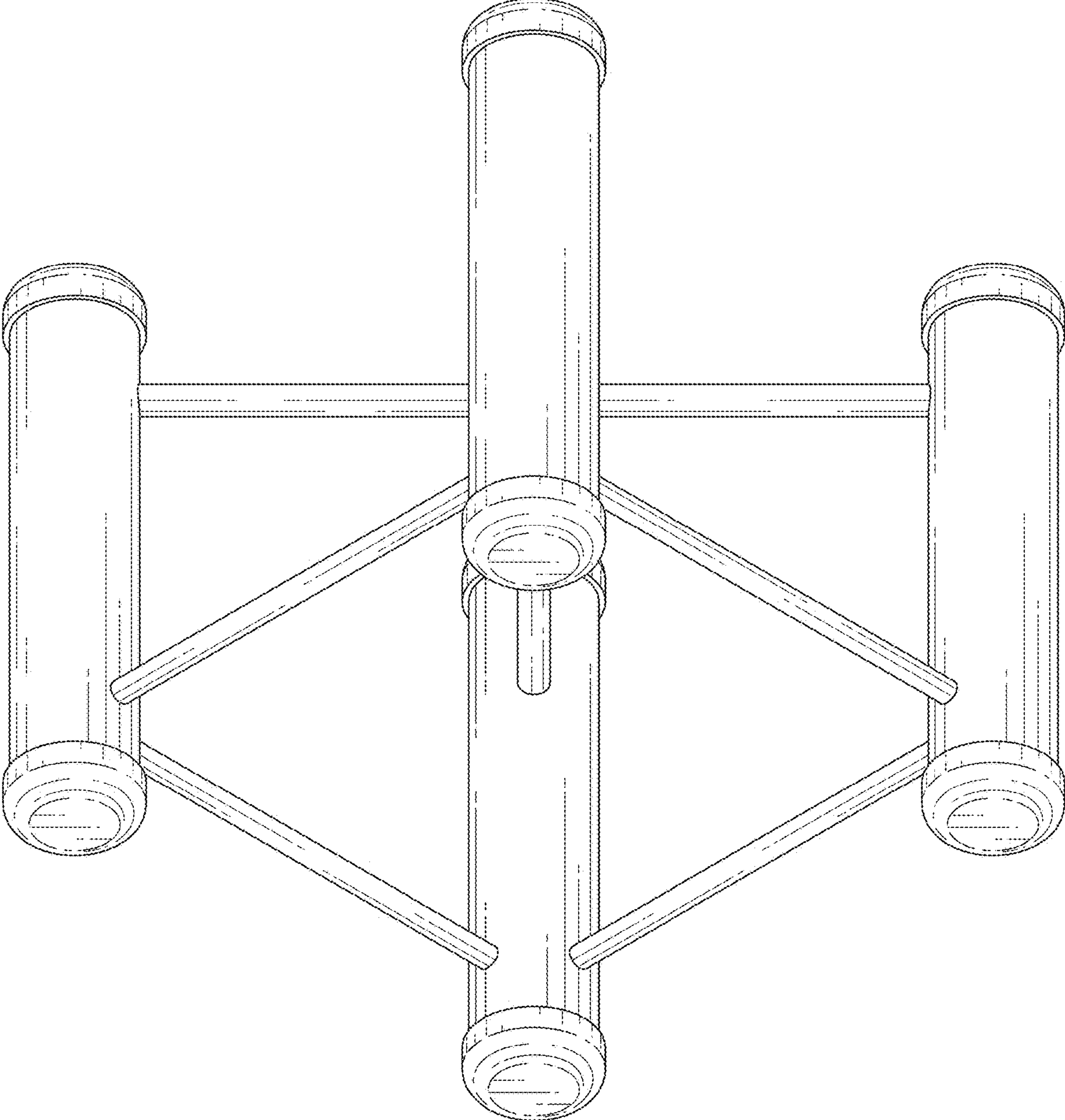


FIG. 2

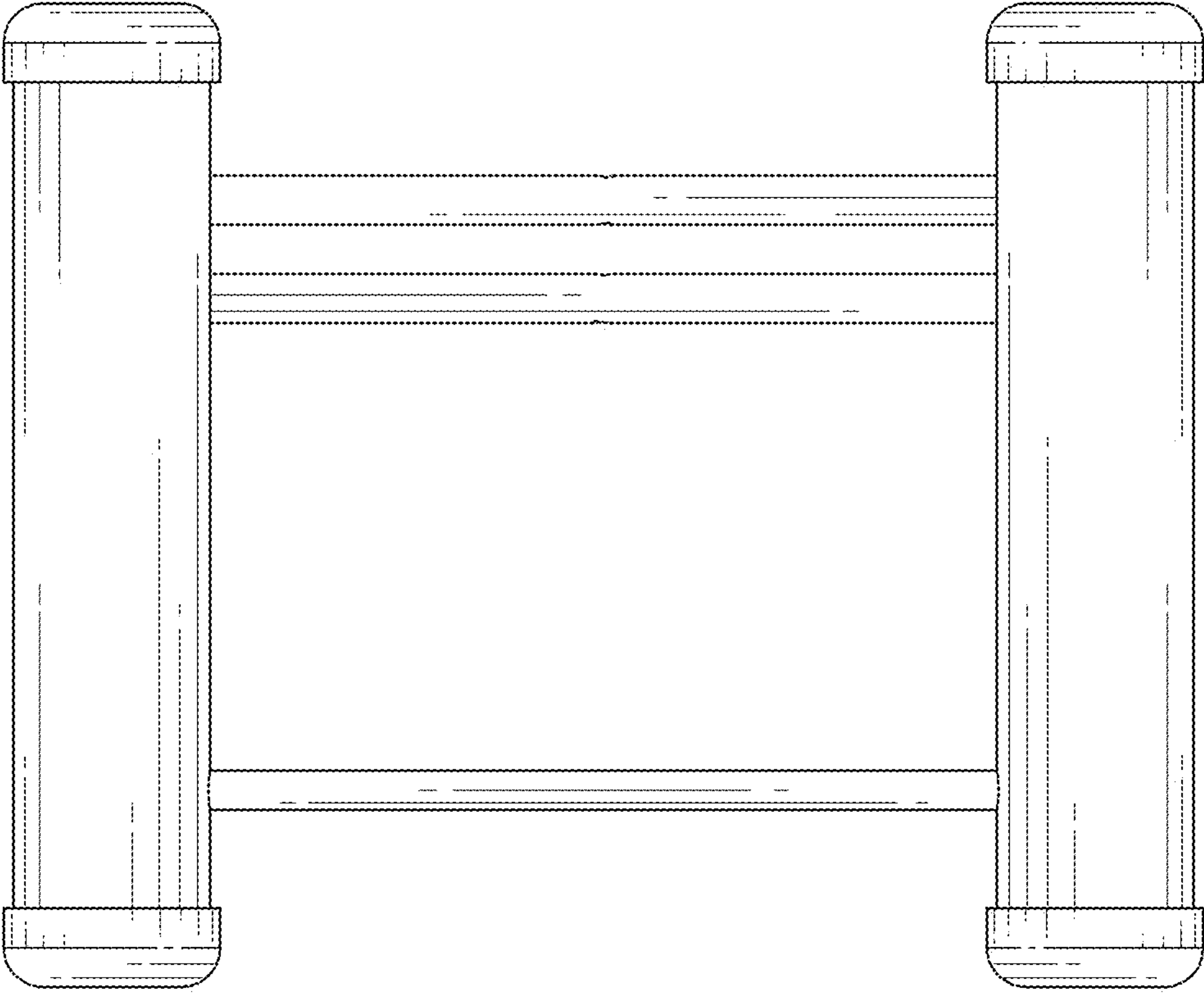


FIG. 3

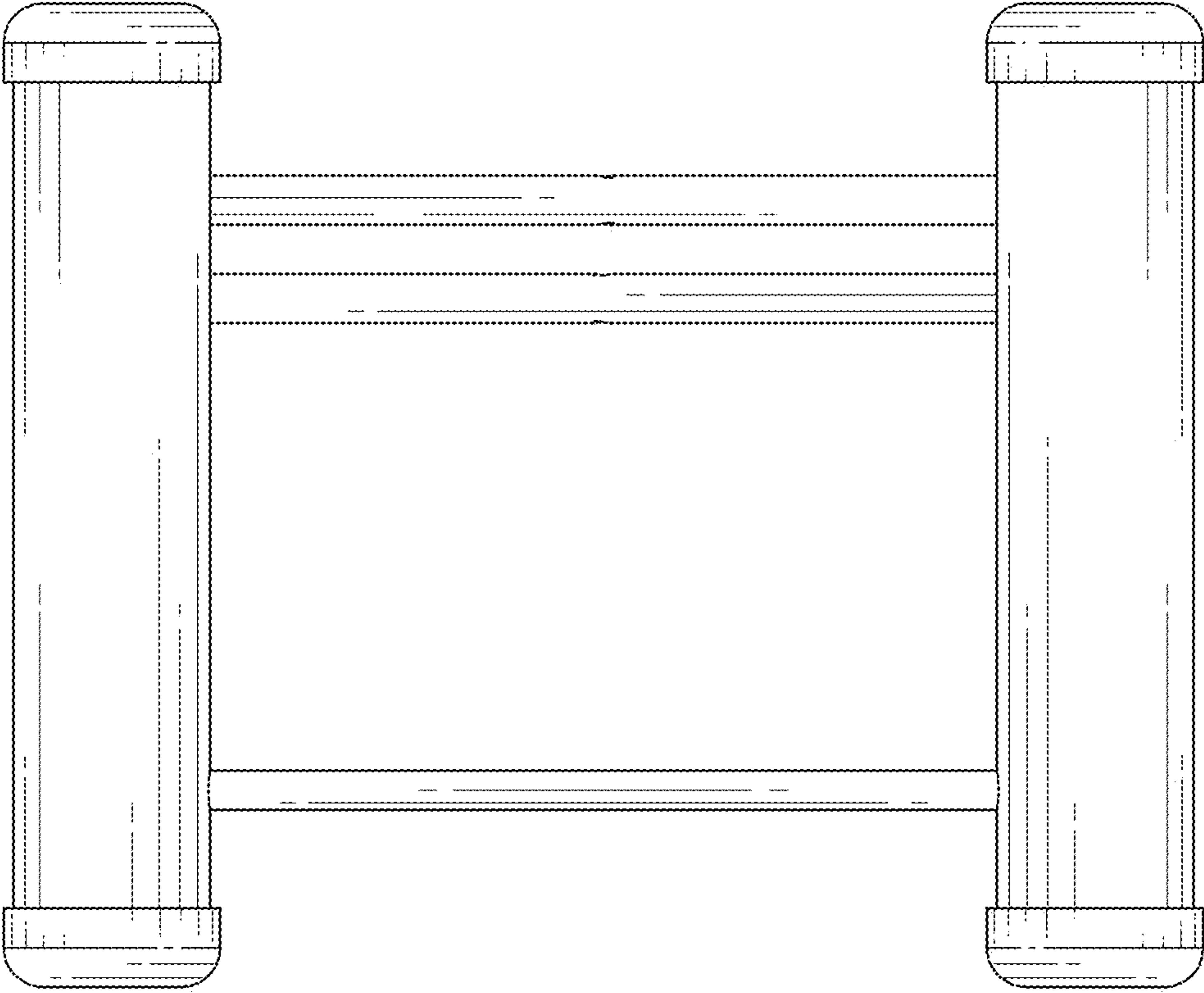


FIG. 4

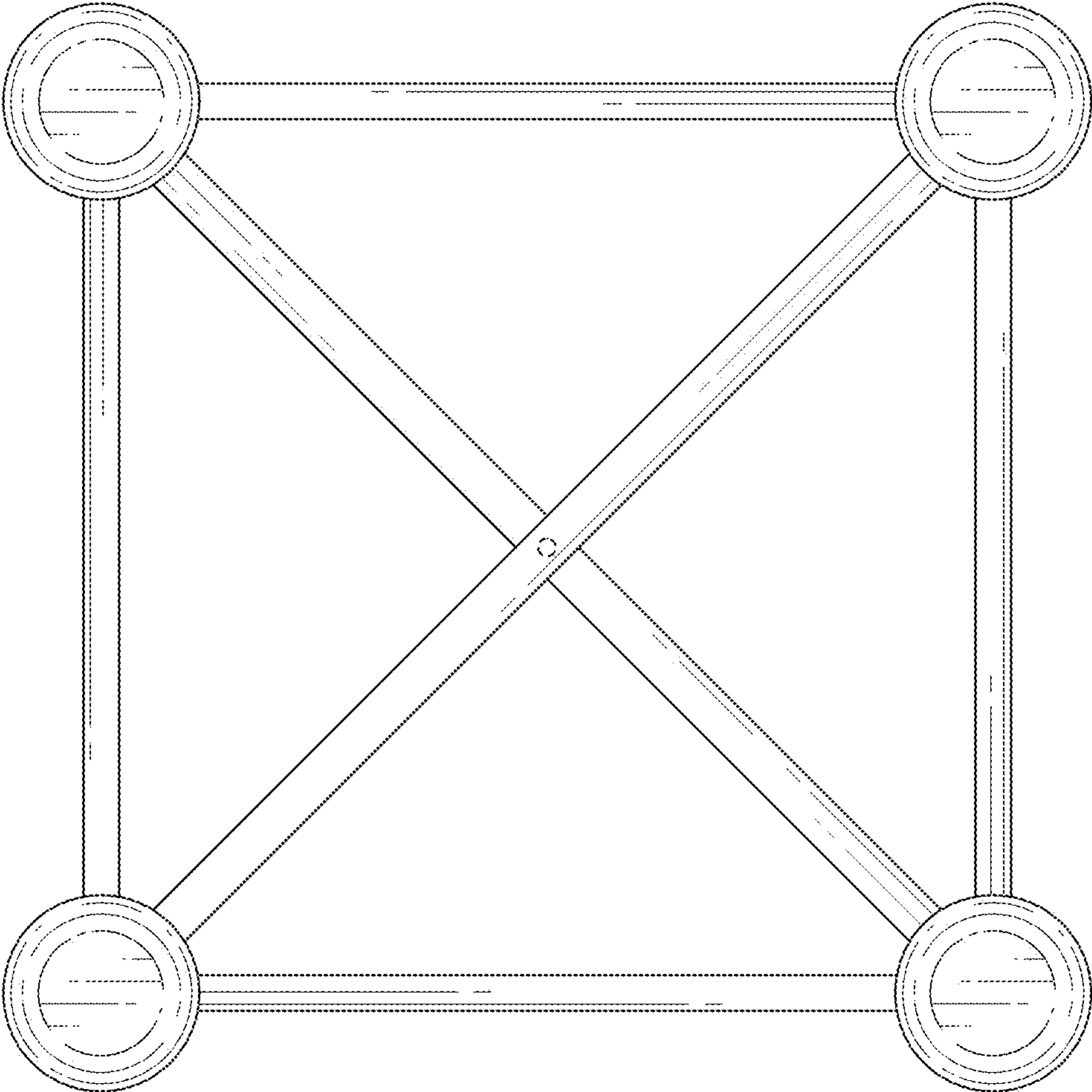


FIG. 5

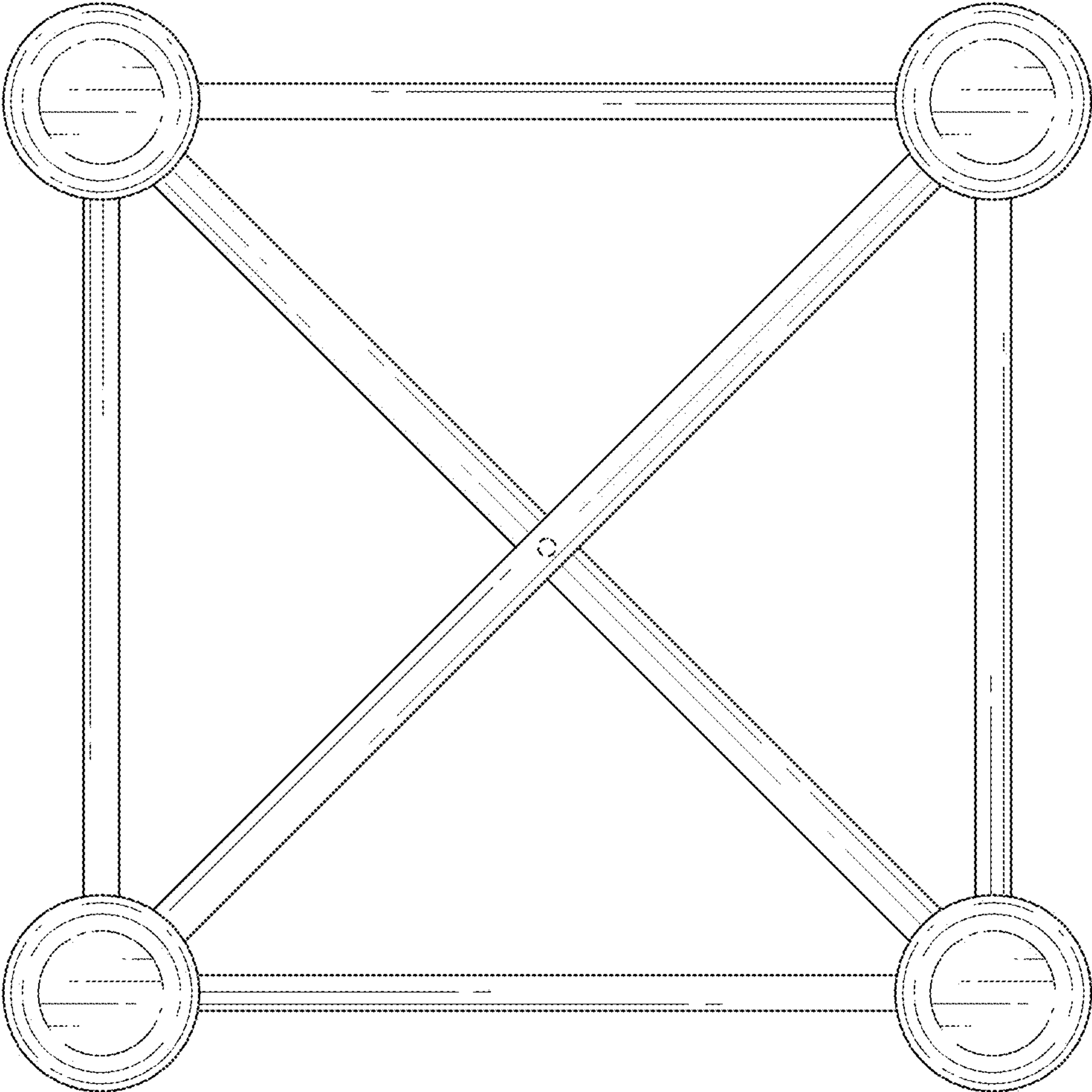


FIG. 6

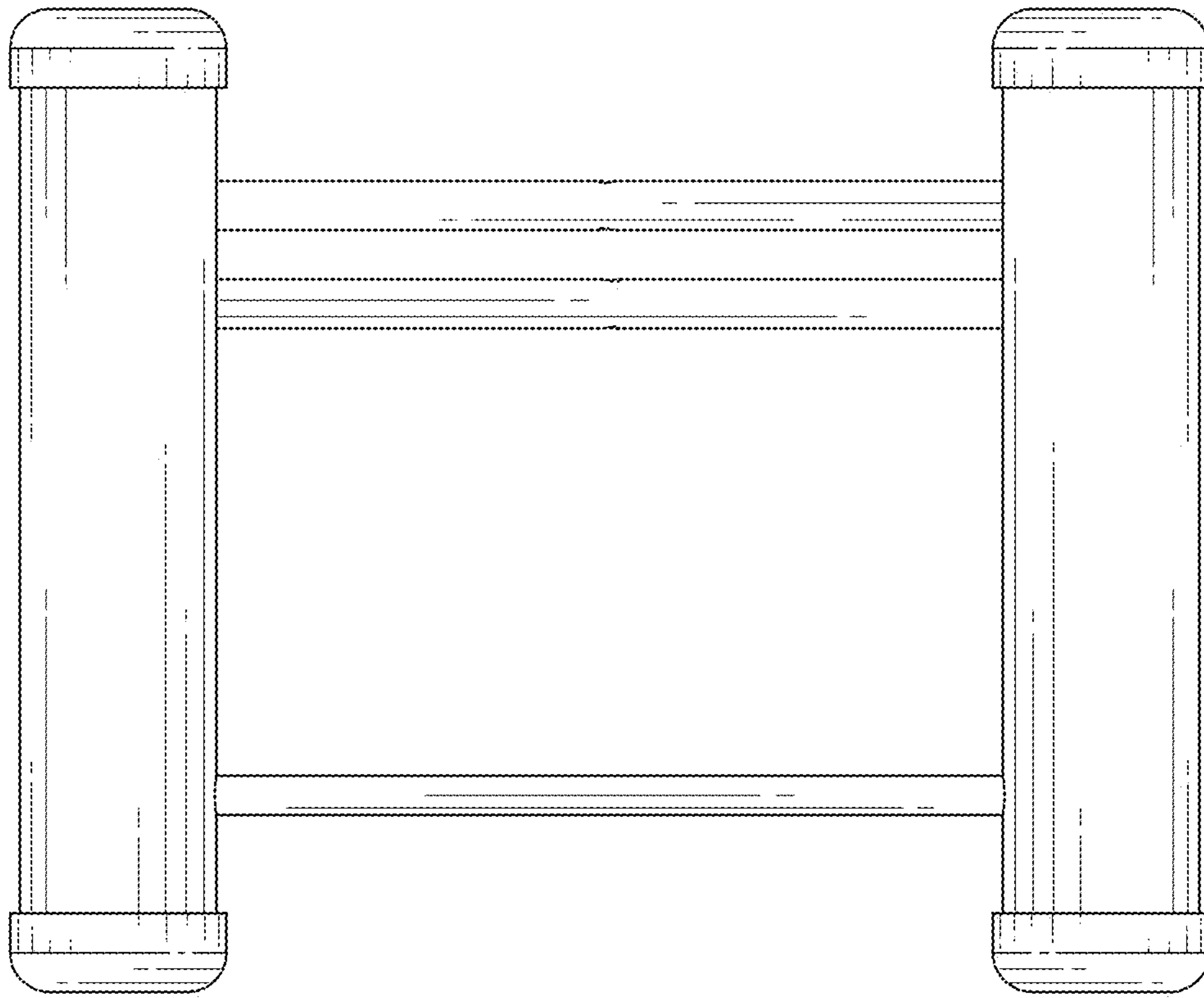


FIG. 7

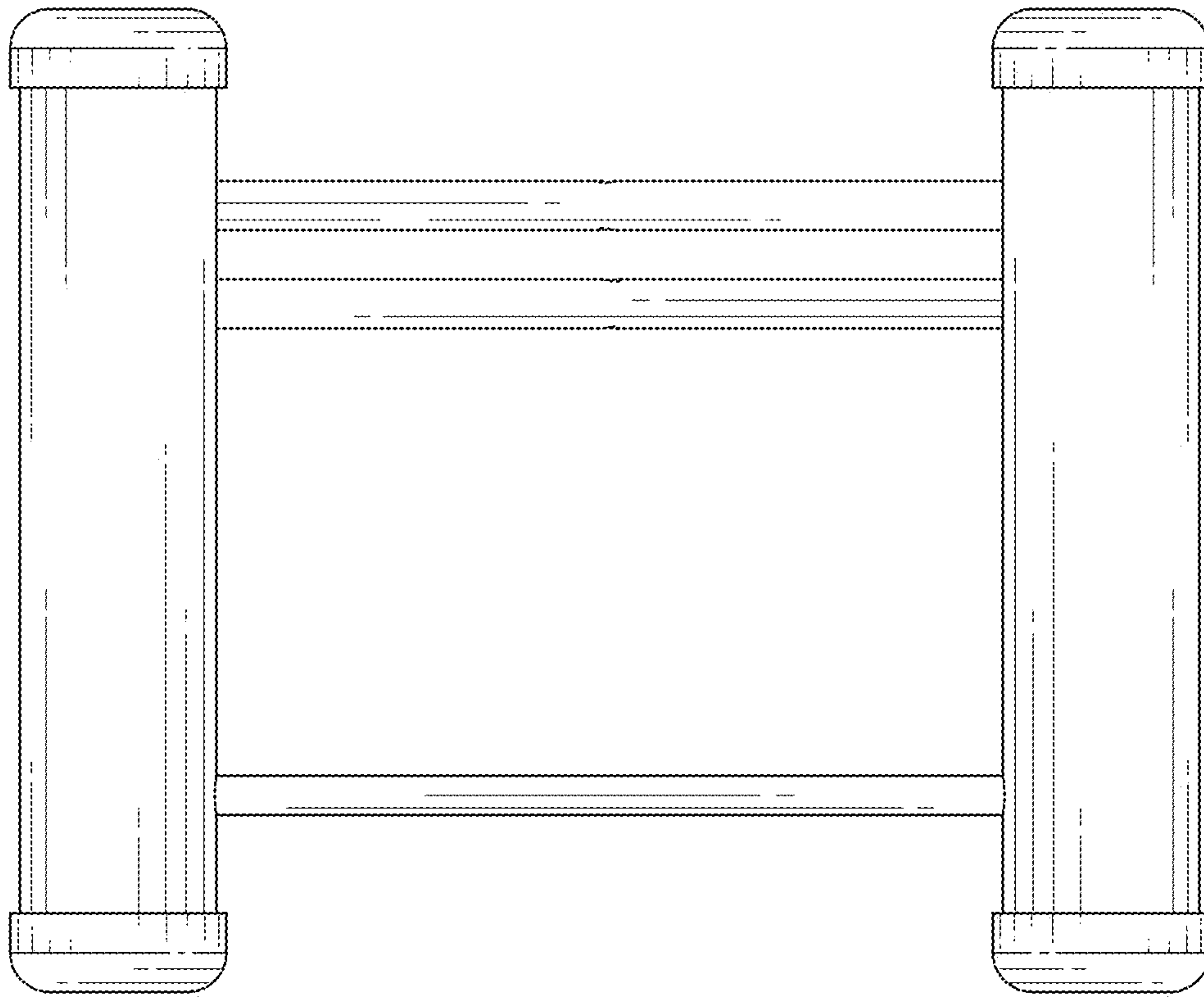


FIG. 8

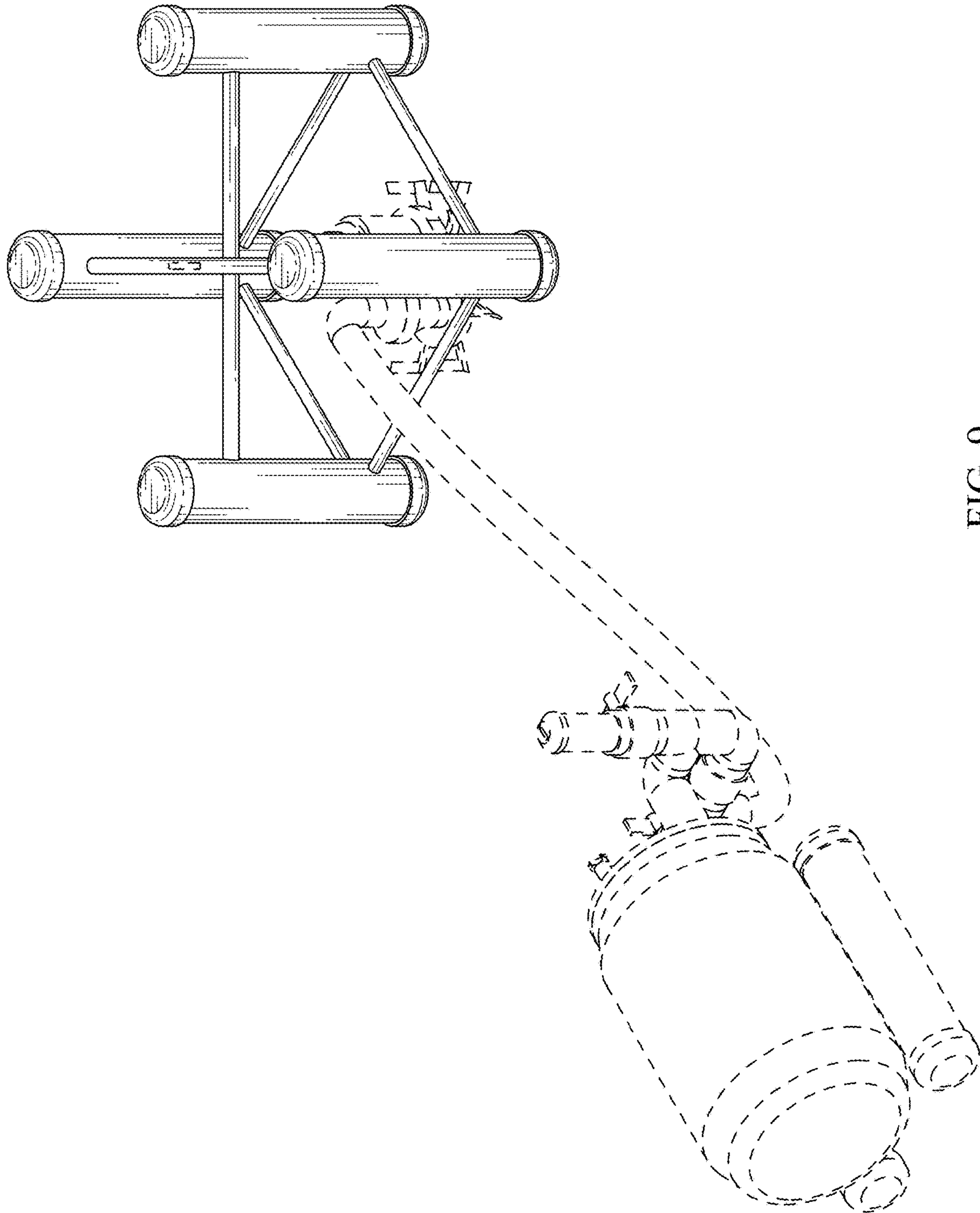


FIG. 9

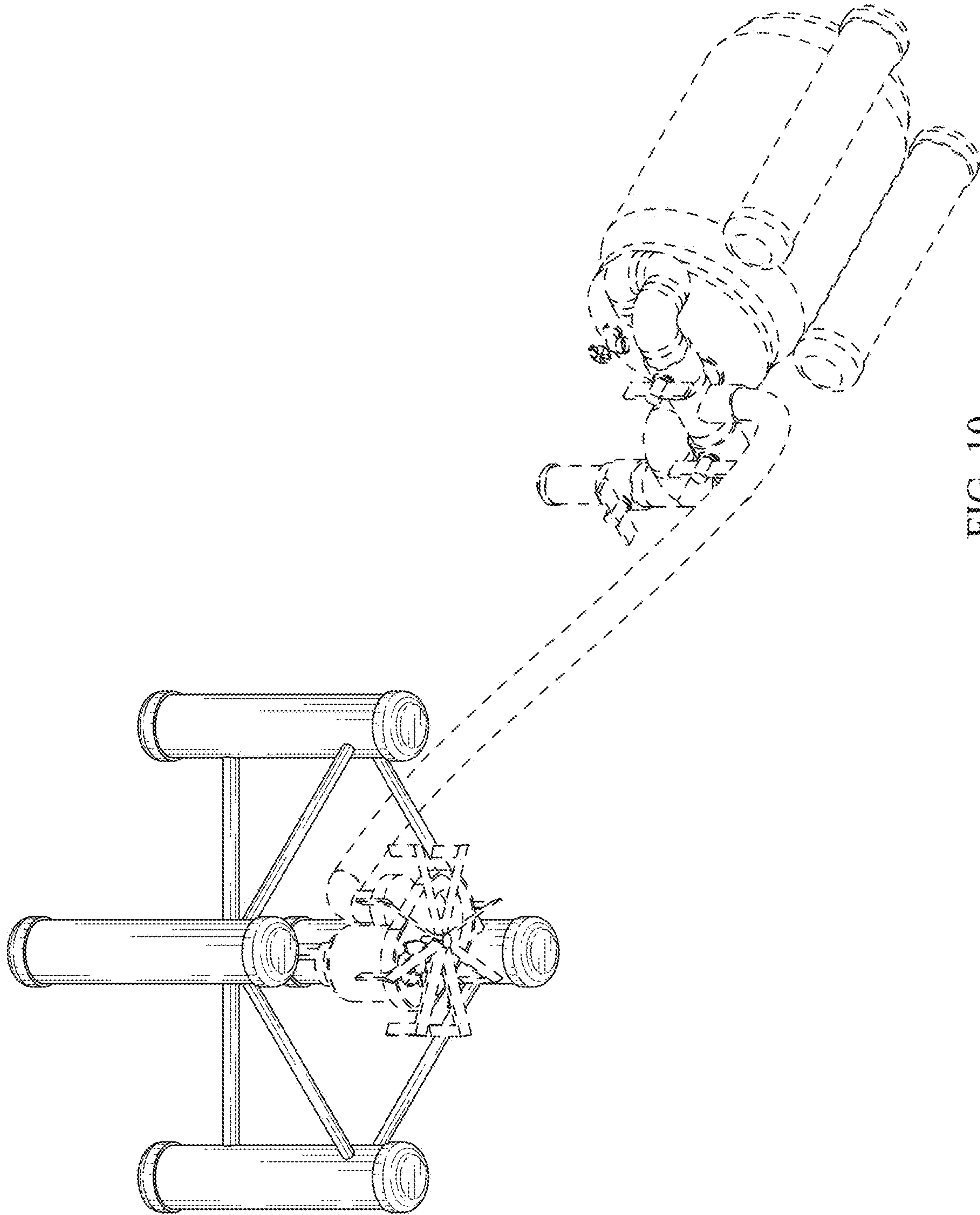


FIG. 10