



US00D912107S

(12) **United States Design Patent** (10) **Patent No.:** **US D912,107 S**
Brown et al. (45) **Date of Patent:** **** Mar. 2, 2021**

(54) **FORGE ICE PRESS**

(56) **References Cited**

(71) Applicant: **Haier US Appliance Solutions, Inc.**,
Wilmington, DE (US)

U.S. PATENT DOCUMENTS

(72) Inventors: **Justin Tyler Brown**, Louisville, KY
(US); **Symon James Harrah**,
Louisville, KY (US); **Austin B.
Connor**, Louisville, KY (US)

D781,356 S *	3/2017	Iungerich	D15/90
D787,570 S *	5/2017	Meaux	D15/90
D819,093 S *	5/2018	Hellman	D15/90
D852,238 S *	6/2019	Kehoe	D15/90
D877,213 S *	3/2020	Lord	D15/90

* cited by examiner

(73) Assignee: **Haier US Appliance Solutions, Inc.**,
Wilmington, DE (US)

Primary Examiner — Khawaja Anwar

(74) *Attorney, Agent, or Firm* — Dority & Manning, P.A.

(**) Term: **15 Years**

(57) **CLAIM**

(21) Appl. No.: **29/692,998**

The ornamental design for the forge ice press, substantially
as shown and described.

(22) Filed: **May 30, 2019**

DESCRIPTION

(51) **LOC (13) Cl.** **15-07**

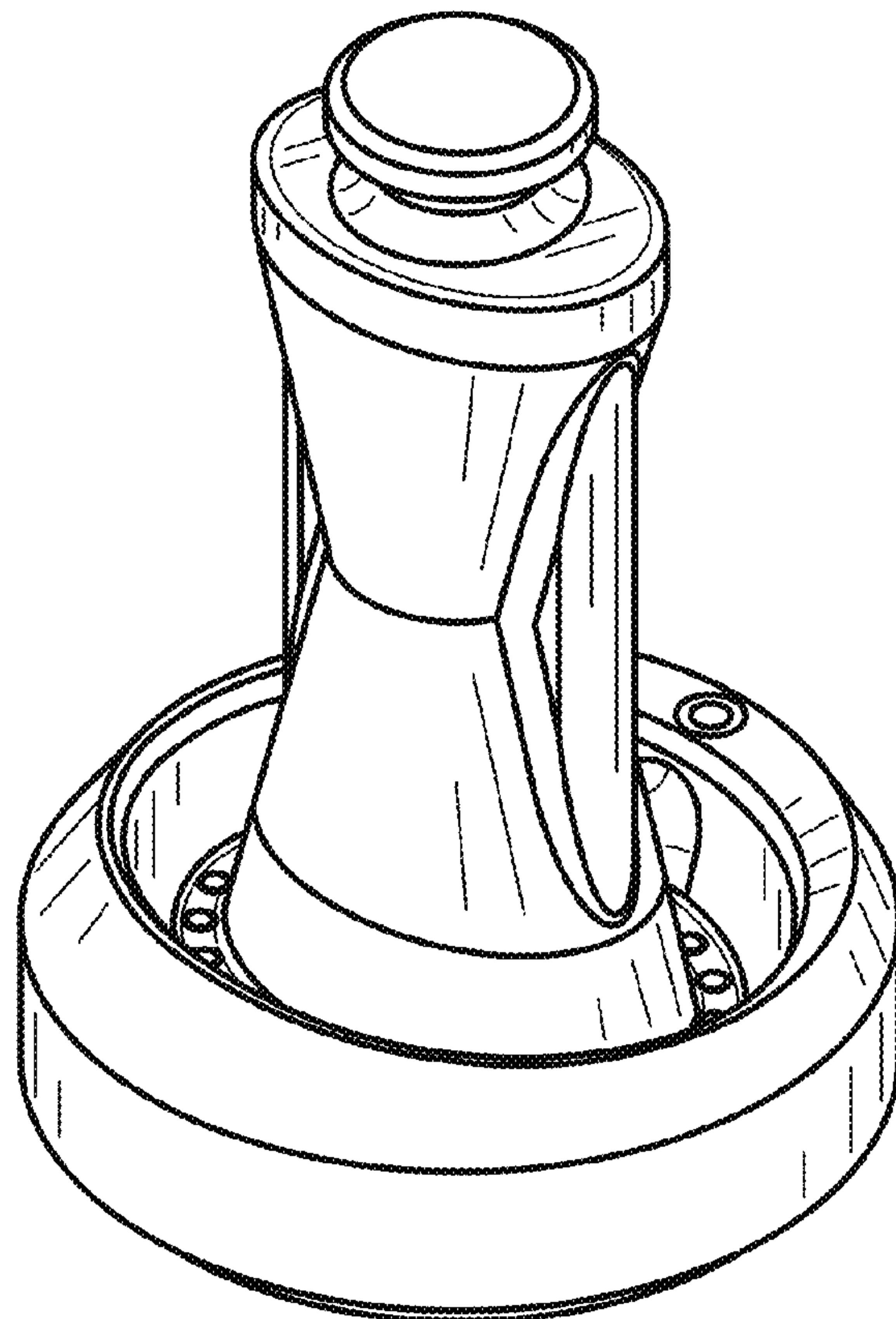
(52) **U.S. Cl.**
USPC **D15/90**

(58) **Field of Classification Search**
USPC D15/79-91; D7/368, 669, 603, 605, 300
CPC .. F25J 2220/02; F25J 2270/902; F25J 3/0209;
F25J 3/061; F25J 1/0065; F25J 1/0245;
F25J 1/0269; F25J 1/0294; F25J 1/0298;
F25J 2270/912; F25D 17/02; F25D
19/006; F25D 19/00; F25D 2201/12;
F25D 2317/063; F25D 23/028; F25D
23/069; F25D 23/087; F25D 25/02

FIG. 1 is a perspective view illustrating ornamental features
of the forge ice press;
FIG. 2 is side view thereof;
FIG. 3 is another side view thereof;
FIG. 4 is an opposing side view (relative to FIG. 2) thereof;
FIG. 5 is an opposing side view (relative to FIG. 3);
FIG. 6 is a top view thereof; and,
FIG. 7 is a bottom view thereof.
The lines indicating shading in FIGS. 1-7 are for illustrative
purposes only and form no part of the claimed design.

See application file for complete search history.

1 Claim, 4 Drawing Sheets



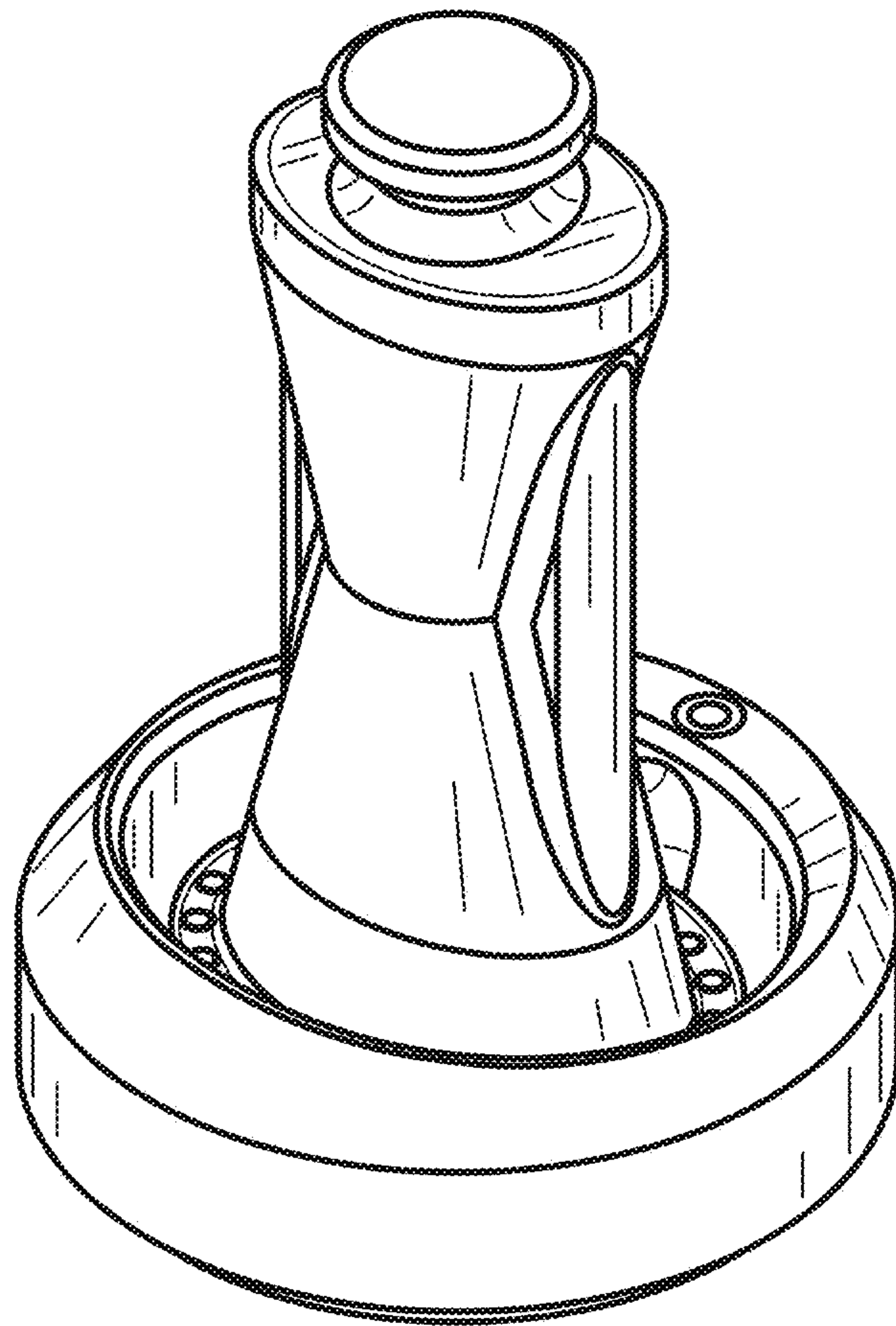


FIG. 1

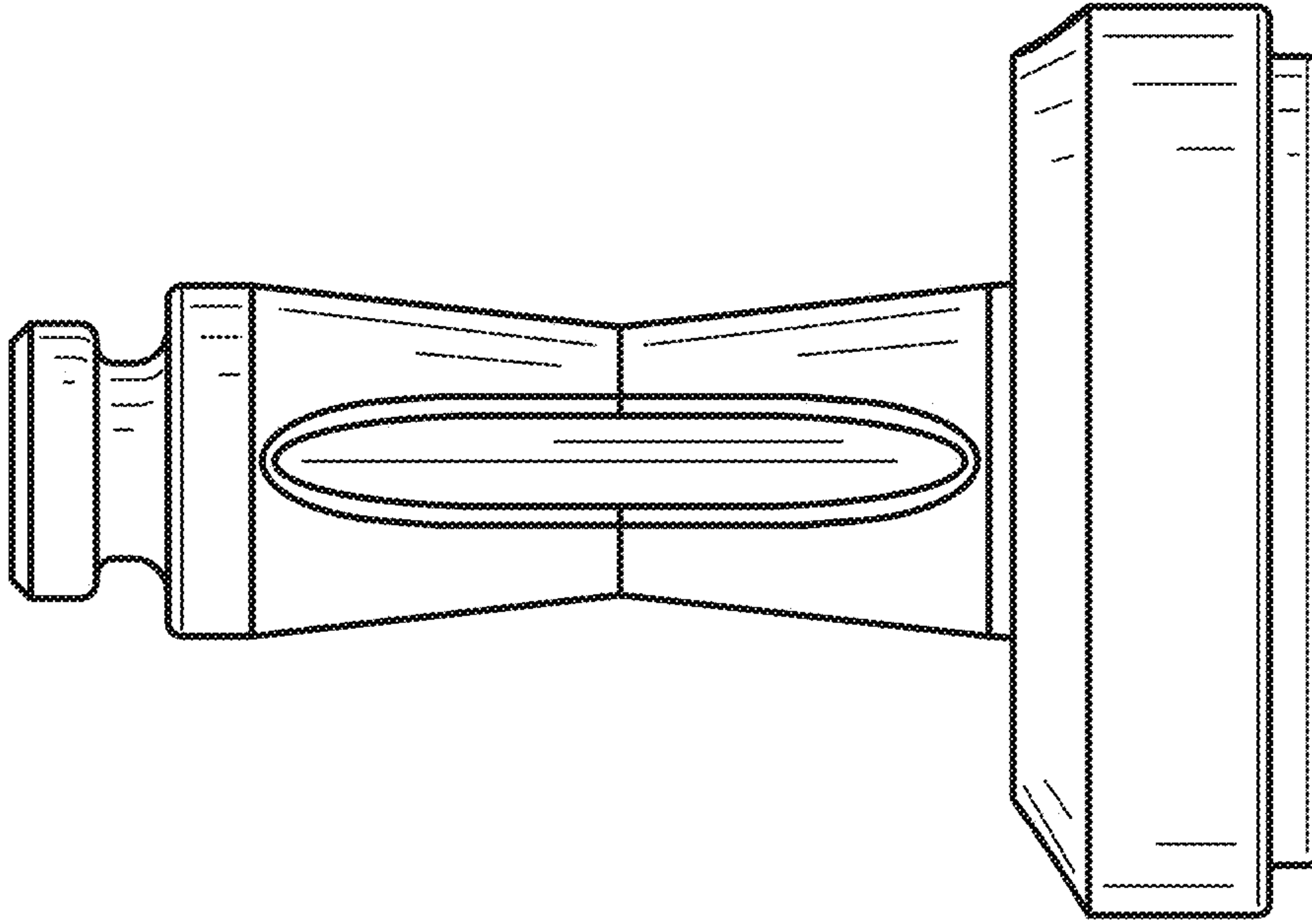


FIG. 3

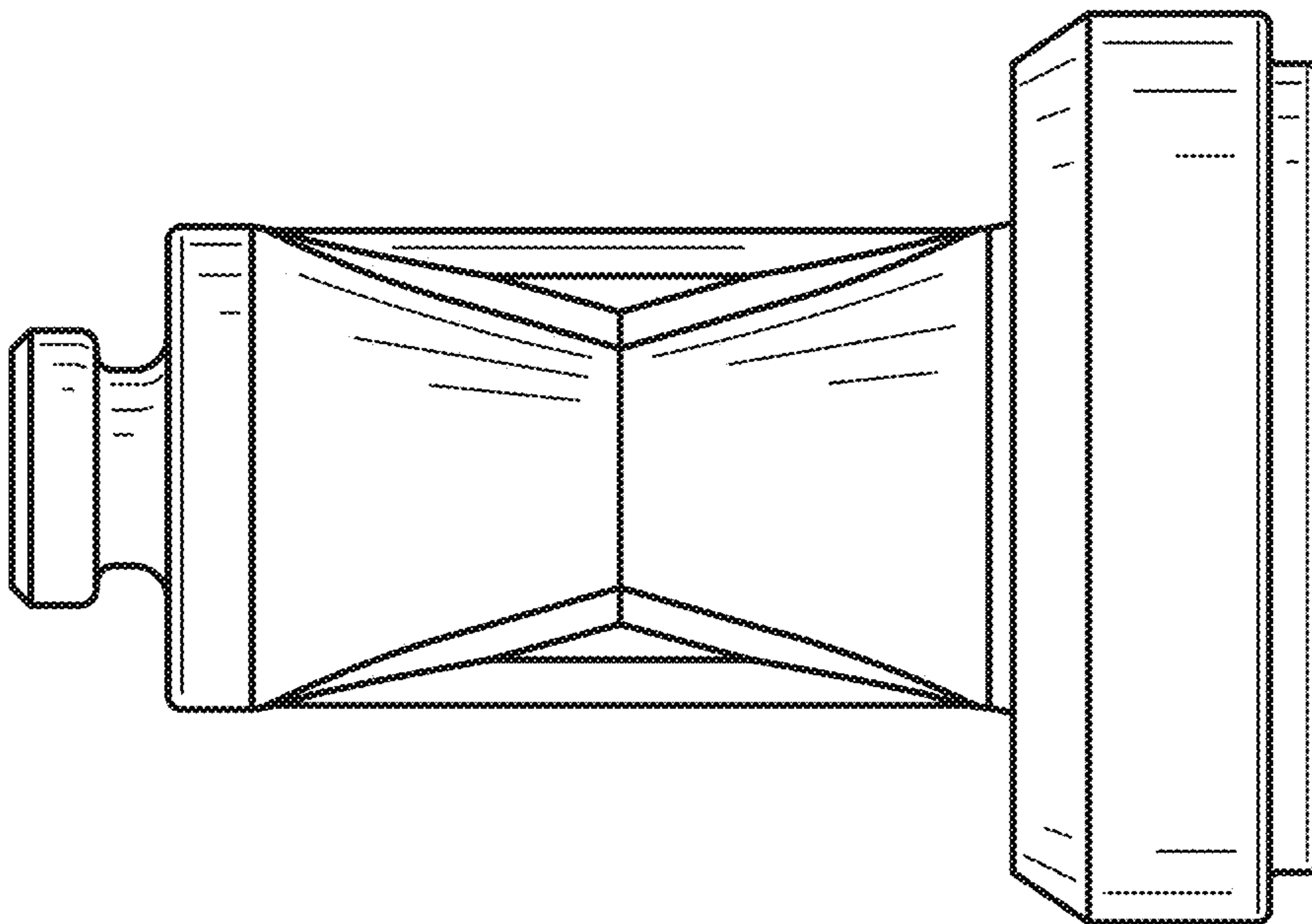


FIG. 2

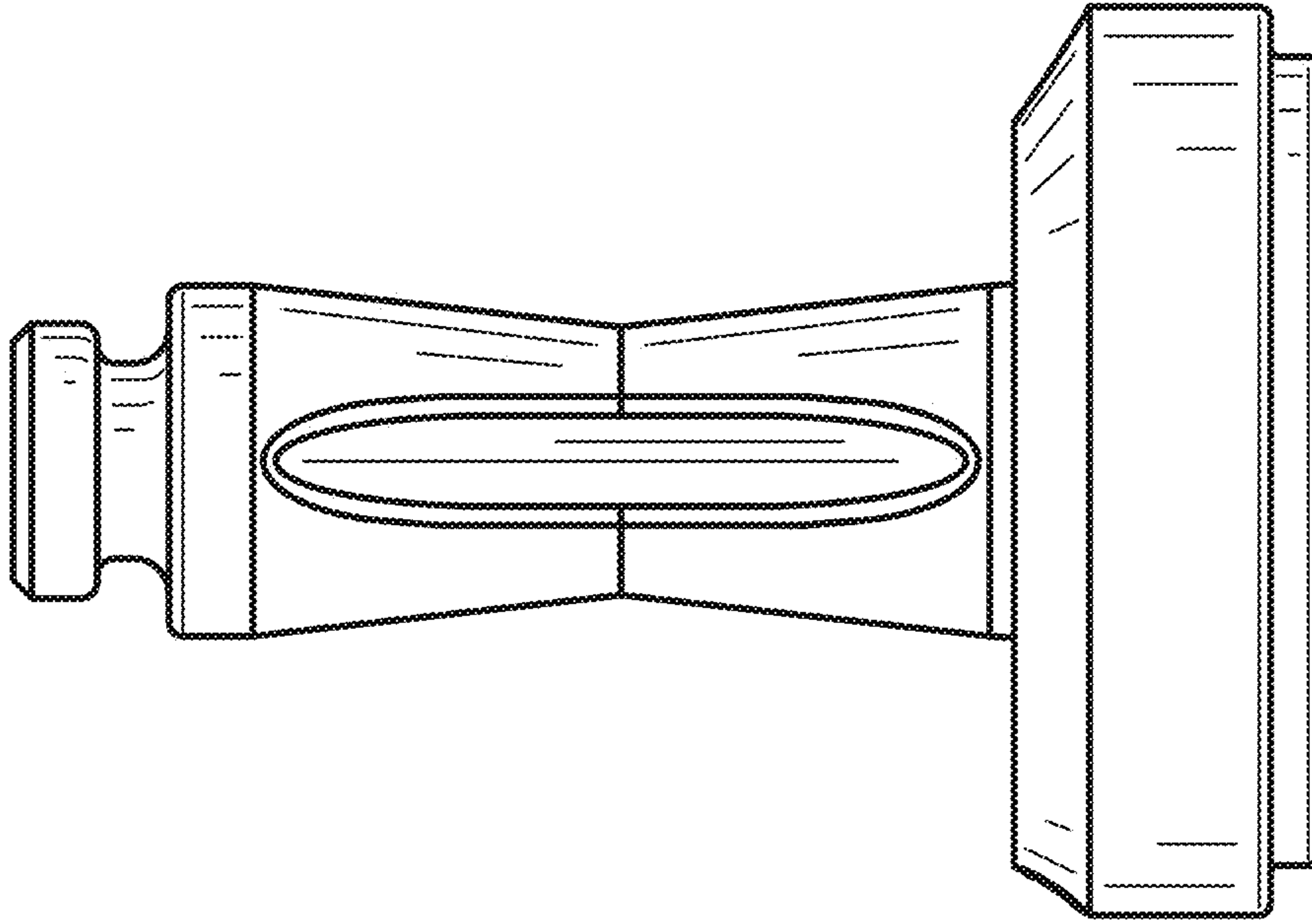


FIG. 5

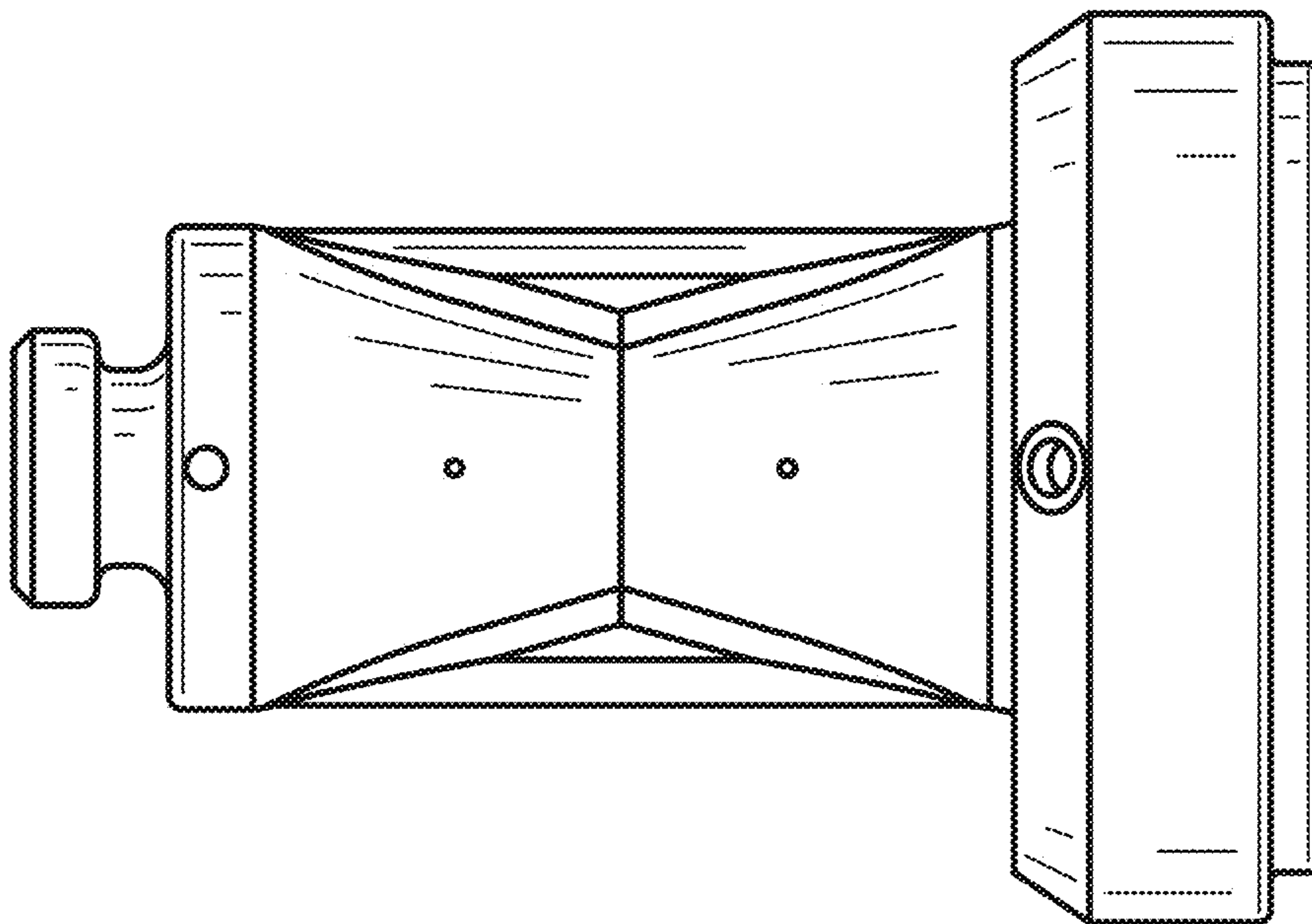


FIG. 4

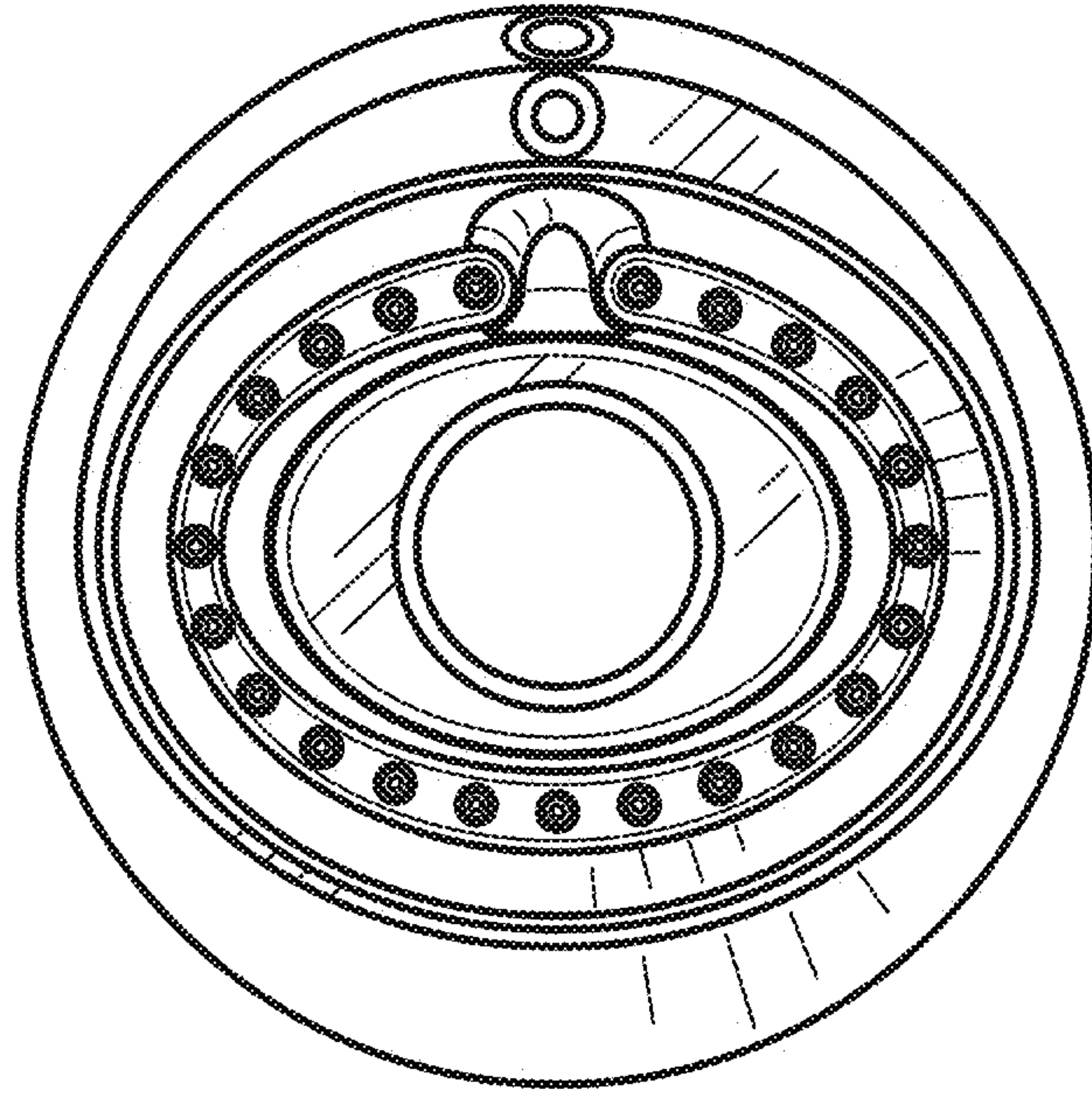


FIG. 6

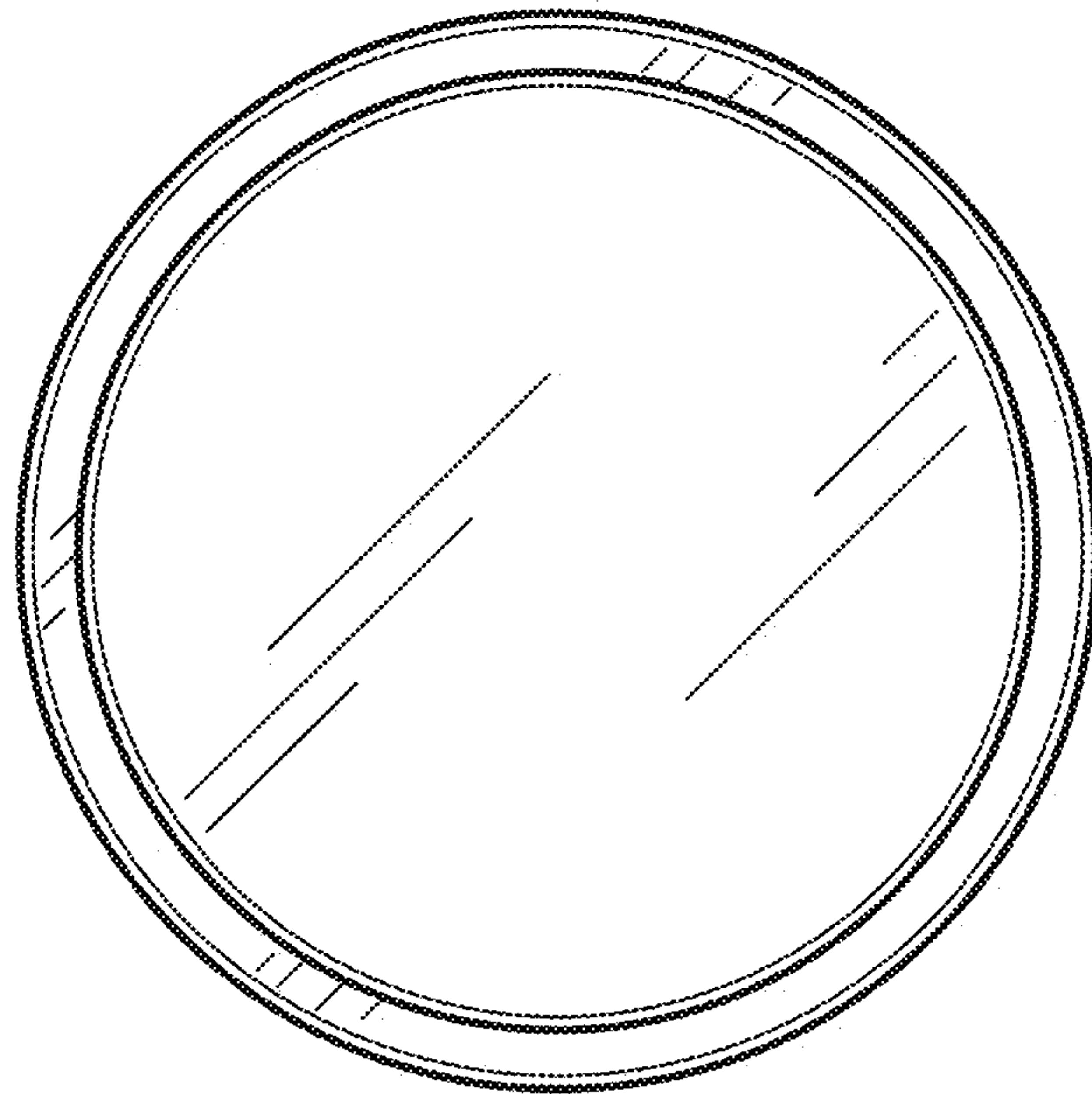


FIG. 7