

US00D912105S

(12) **United States Design Patent** (10) **Patent No.:** **US D912,105 S**  
**Yeo et al.** (45) **Date of Patent:** **\*\* Mar. 2, 2021**

(54) **REFRIGERATOR FOR KIMCHI**

2317/0664; F25D 2321/147; F25D 2323/02; F25D 2323/023

(71) Applicant: **LG ELECTRONICS INC.**, Seoul (KR)

See application file for complete search history.

(72) Inventors: **Insun Yeo**, Seoul (KR); **Sanghun Kim**, Seoul (KR); **Yezo Yun**, Seoul (KR); **Kyukwan Choi**, Seoul (KR)

(56) **References Cited**

U.S. PATENT DOCUMENTS

(73) Assignee: **LG ELECTRONICS INC.**, Seoul (KR)

D491,581 S *	6/2004	Jang	.....	D15/83
D493,473 S *	7/2004	Kim	.....	D15/86
D501,489 S *	2/2005	Seo	.....	D15/83
D501,663 S *	2/2005	Yu	.....	D15/83
D507,282 S *	7/2005	Lee	.....	D15/83
D507,283 S *	7/2005	Lee	.....	D15/83
D507,584 S *	7/2005	Kim	.....	D15/83
D510,743 S *	10/2005	Kim	.....	D15/83
D553,165 S *	10/2007	Lee	.....	D15/79
D568,910 S *	5/2008	Seo	.....	D15/86
D569,398 S *	5/2008	Seo	.....	D15/86
D593,583 S *	6/2009	Choi	.....	D15/83
D597,560 S *	8/2009	Choi	.....	D15/83
D597,563 S *	8/2009	Choi	.....	D15/87
D597,564 S *	8/2009	Choi	.....	D15/87
D672,374 S *	12/2012	Choi	.....	D15/83
D673,588 S *	1/2013	Choi	.....	D15/89
D676,467 S *	2/2013	Kim	.....	D15/86
D686,644 S *	7/2013	Lee	.....	D15/86

(\*\*) Term: **15 Years**

(21) Appl. No.: **35/508,016**

(22) Filed: **Jun. 4, 2019**

(80) **Hague Agreement Data**

Int. Filing Date: **Jun. 4, 2019**

Int. Reg. No.: **DM/203737**

Int. Reg. Date: **Jun. 4, 2019**

Int. Reg. Pub. Date: **Dec. 6, 2019**

(Continued)

(51) **LOC (13) Cl.** ..... **15-07**

*Primary Examiner* — Richard E Chilcot

(52) **U.S. Cl.**  
USPC ..... **D15/86**  
CPC ..... **F25D 11/02** (2013.01)

(74) *Attorney, Agent, or Firm* — Birch, Stewart, Kolasch & Birch, LLP

(58) **Field of Classification Search**  
USPC ..... D15/79-91; 312/236, 352, 400-408, 312/112-119; 62/3.1, 3.6, 3.63, 3.64, 62/293, 31, 371, 400, 467, 529, 531  
CPC ..... F25D 25/025; F25D 23/028; F25D 2323/024; F25D 23/00; F25D 23/02; F25D 2323/021; F25D 23/065; F25D 11/00; F25D 2201/14; F25D 23/021; F25D 23/025; F25D 23/04; F25D 27/00; F25D 23/062; F25D 23/067; F25D 2400/18; F25D 23/08; F25D 23/085; F25D 2500/02; F25D 25/00; F25D 25/005; F25D 25/022; F25D 25/024; F25D 17/047; F25D 2317/041; F25D 2317/04131; F25D 2317/043; F25D

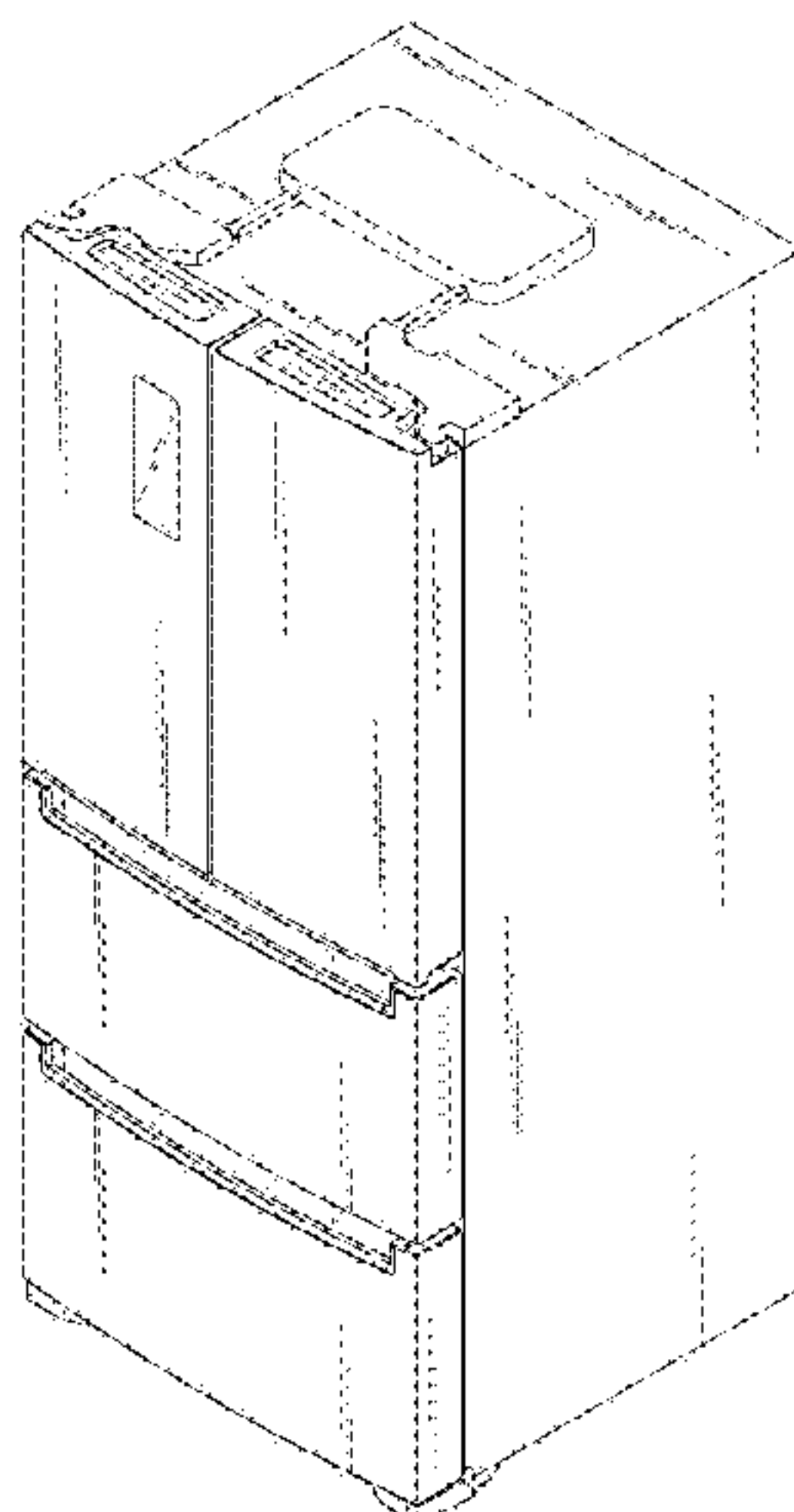
(57) **CLAIM**

The ornamental design for a refrigerator for kimchi, as shown and described.

**DESCRIPTION**

- 1. Refrigerator for kimchi
- 1.1 : Perspective
- 1.2 : Front
- 1.3 : Back
- 1.4 : Left
- 1.5 : Right
- 1.6 : Top
- 1.7 : Bottom

(Continued)



The parts shown by means of broken lines in the reproductions are not part of the claimed design.

**1 Claim, 7 Drawing Sheets**

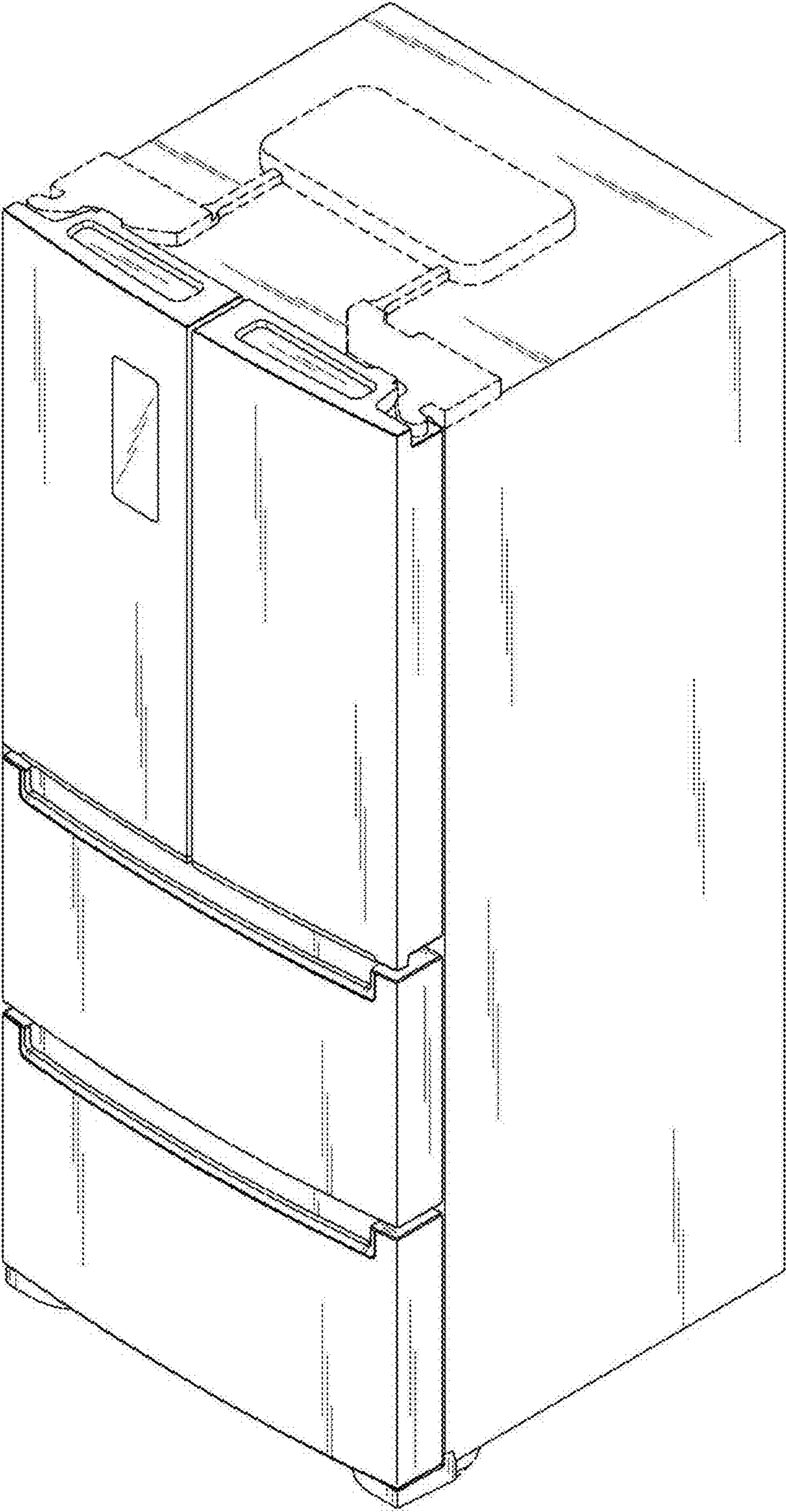
(56) **References Cited**

U.S. PATENT DOCUMENTS

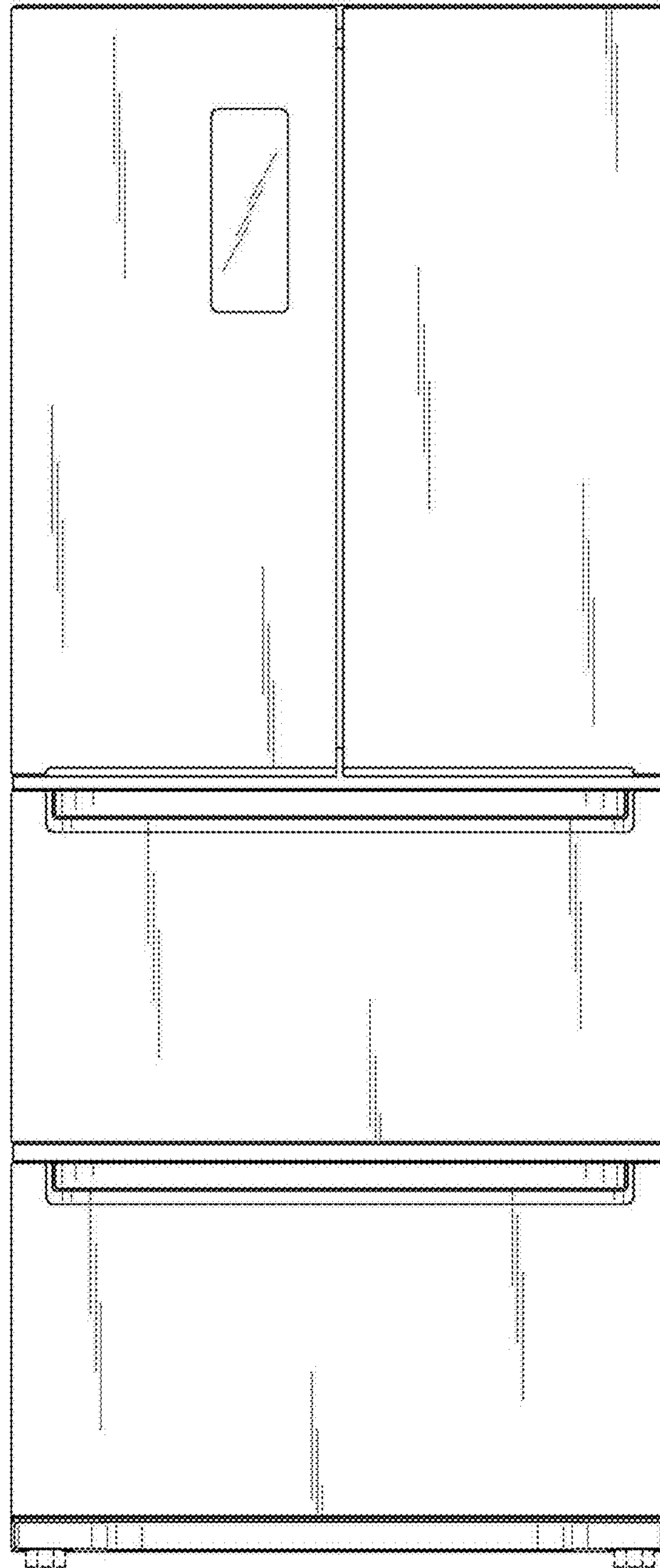
D696,305 S *	12/2013	Kim	.....	D15/86
D696,307 S *	12/2013	Kim	.....	D15/91
D696,311 S *	12/2013	Kim	.....	D15/91
D696,312 S *	12/2013	Kim	.....	D15/91
D696,313 S *	12/2013	Kim	.....	D15/91
D702,739 S *	4/2014	Kim	.....	D15/86
D773,539 S *	12/2016	Kim	.....	D15/86
2015/0130335 A1 *	5/2015	Jung	.....	F25D 25/028 312/236

\* cited by examiner

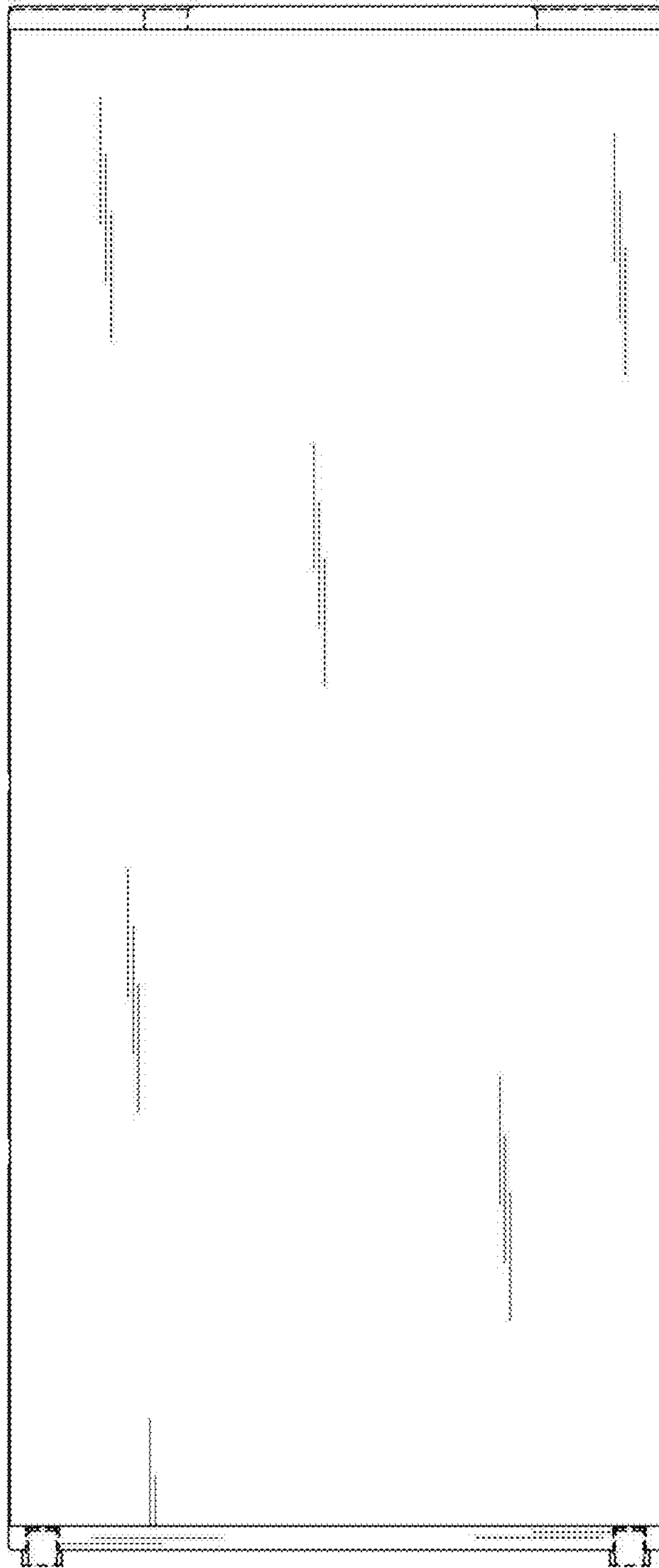
1.1



1.2

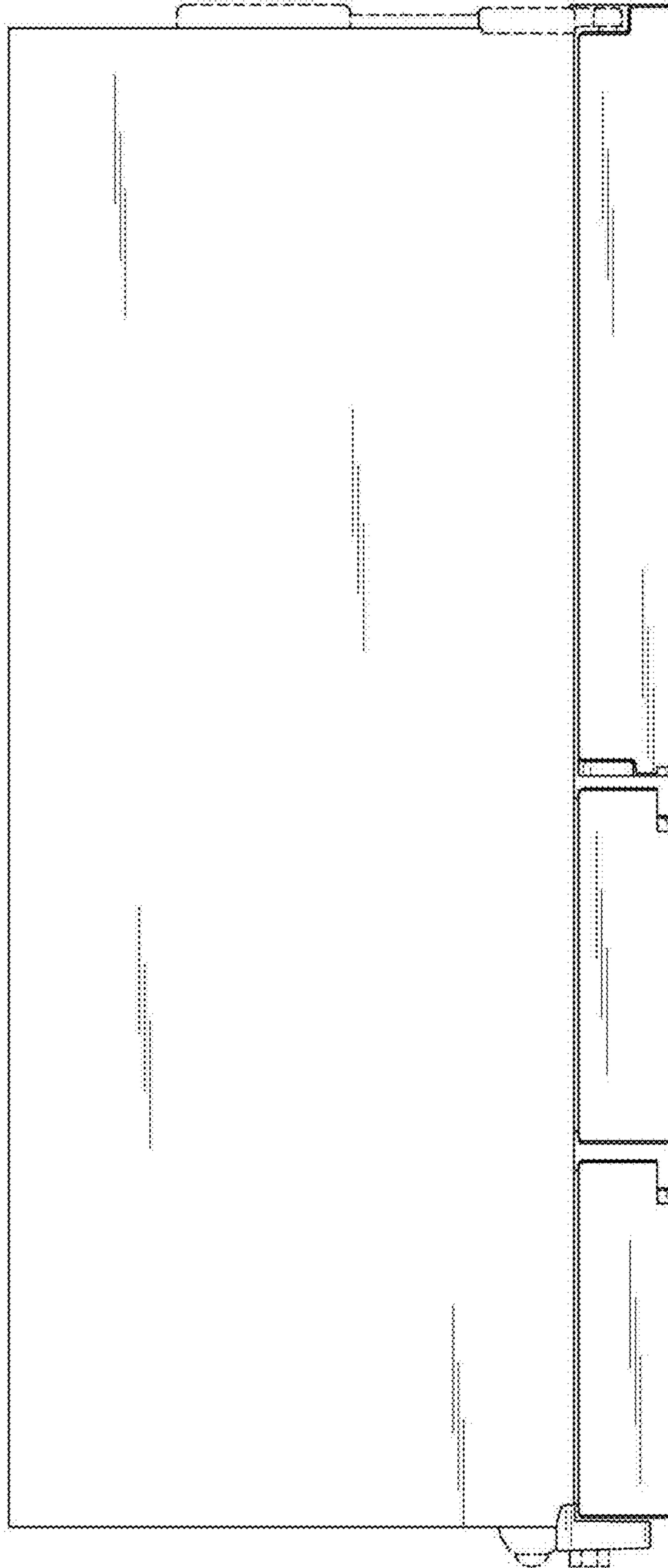


1.3

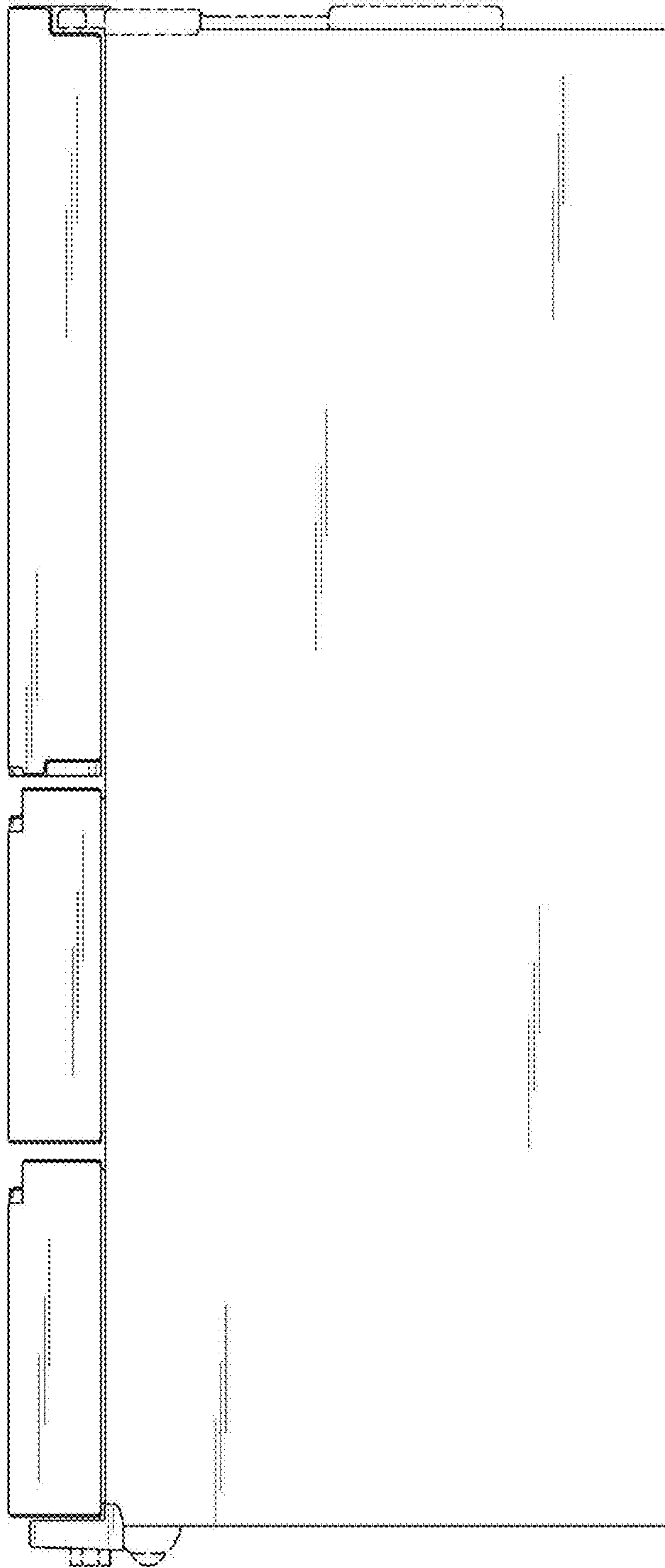




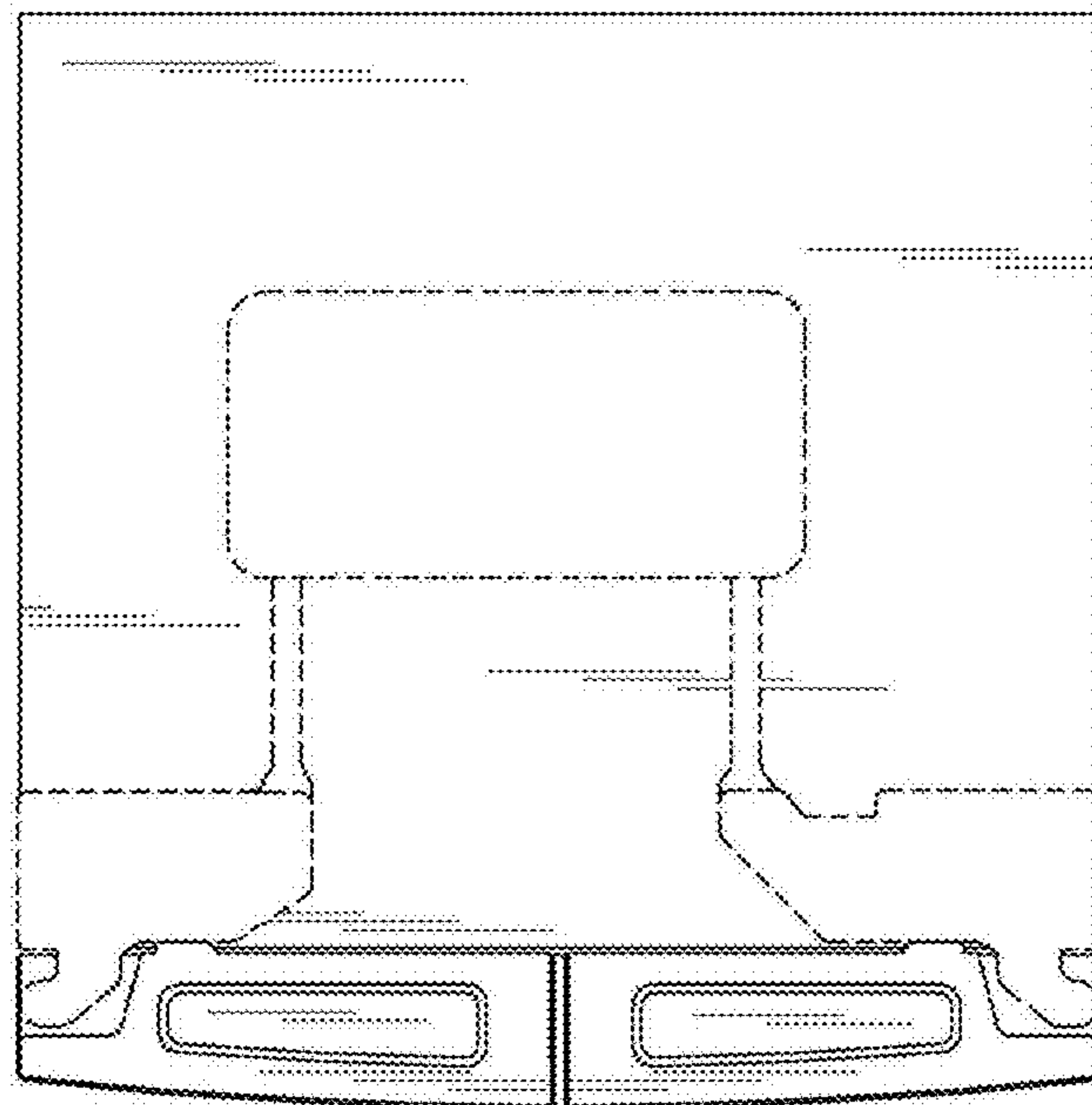
1.4



1.5



1.6





1.7

