



US00D912104S

(12) **United States Design Patent** (10) **Patent No.:** **US D912,104 S**
Cho et al. (45) **Date of Patent:** **** Mar. 2, 2021**

(54) **RUBBER TRACK**
(71) Applicant: **DRB INDUSTRIAL CO., LTD.**, Busan (KR)
(72) Inventors: **Cheolhyun Cho**, Busan (KR); **Kyujin Lee**, Busan (KR)
(73) Assignee: **DRB INDUSTRIAL CO., LTD.**, Busan (KR)
(**) Term: **15 Years**
(21) Appl. No.: **29/710,107**
(22) Filed: **Oct. 21, 2019**
(51) **LOC (13) Cl.** **15-03**
(52) **U.S. Cl.**
USPC **D15/28**
(58) **Field of Classification Search**
USPC D15/10, 22-26, 28; D12/500, 572, D12/533-567, 579, 7
CPC B62D 55/04; B62D 55/084; B62D 55/14; B62D 55/02; B62D 55/125; B62D 55/08; B62D 55/00; B62D 55/244; B62D 55/07; B62D 55/24; B62D 55/26; B62D 55/18; B60C 11/00; B60C 11/0302; B60C 11/0306; B60C 11/0311; B60C 11/0313
See application file for complete search history.

(56) **References Cited**
U.S. PATENT DOCUMENTS
D431,015 S * 9/2000 Lussier D12/7
D436,892 S * 1/2001 Soucy D12/7
D454,890 S * 3/2002 Tsuru D15/28
D473,245 S * 4/2003 Heitmann D15/28
D510,742 S * 10/2005 Stover D15/28
D565,605 S * 4/2008 Tateishi D15/28
D567,823 S * 4/2008 Hagio D15/28
D615,105 S * 5/2010 Abiko D15/28

D615,106 S * 5/2010 Shimozono D15/28
D626,973 S * 11/2010 Shimozono D15/28
D636,793 S * 4/2011 Vladimirovich D15/28
D639,313 S * 6/2011 Vladimirovich D15/28
D653,681 S * 2/2012 Degtyarev D15/28
D669,503 S * 10/2012 Nomizo D15/28
D672,792 S * 12/2012 Nomizo D15/28
D680,561 S * 4/2013 Zuchoski D15/28
D681,071 S * 4/2013 Zuchoski D15/28
D683,371 S * 5/2013 Aube D15/28
D683,769 S * 6/2013 Aube D15/28
D694,283 S * 11/2013 Shimozono D15/28
D723,070 S * 2/2015 Sugihara D15/28
D723,590 S * 3/2015 Tateishi D15/28
D724,107 S * 3/2015 Tateishi D15/28
D724,628 S * 3/2015 Tateishi D15/28
D725,682 S * 3/2015 Tateishi D15/28
D738,405 S * 9/2015 Meyer D15/28

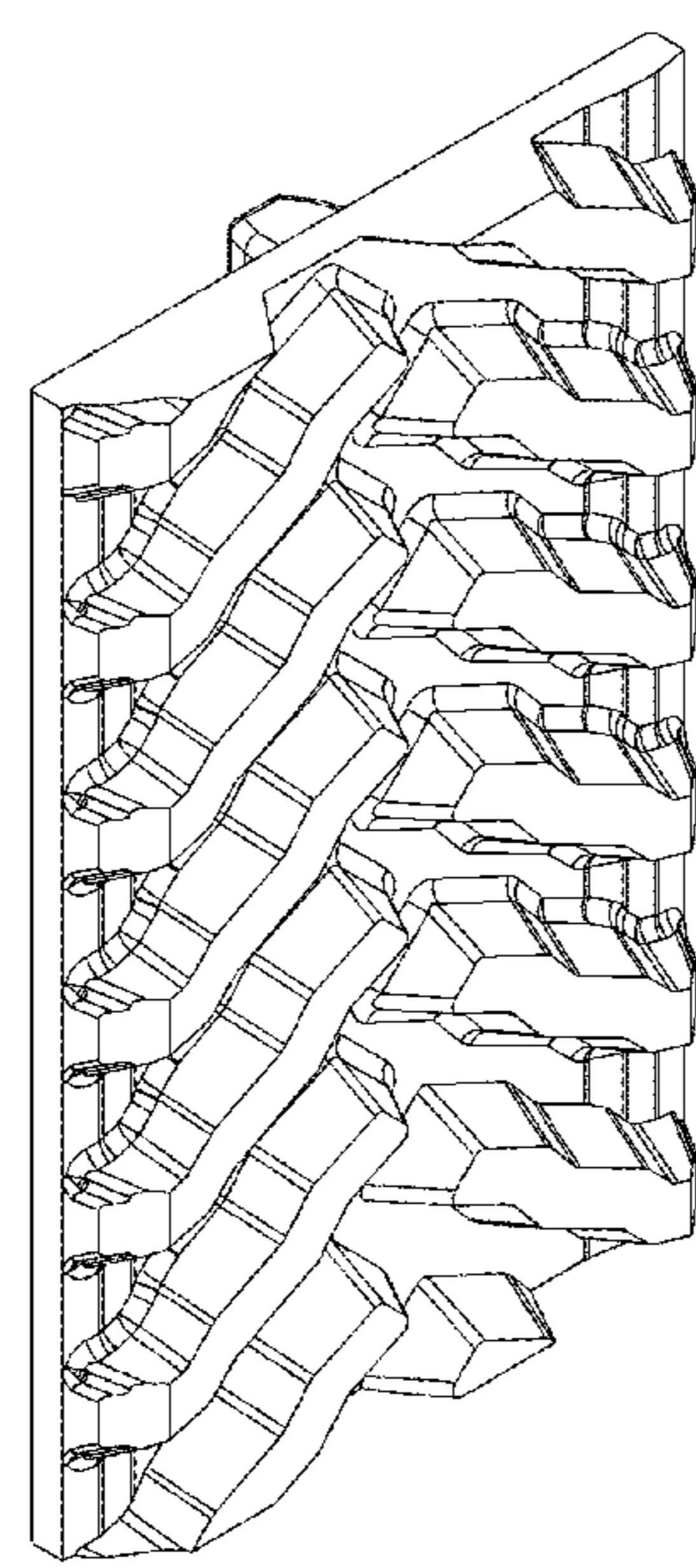
(Continued)

Primary Examiner — Mark A Goodwin
(74) *Attorney, Agent, or Firm* — Novick, Kim & Lee, PLLC; Jae Youn Kim; Hyun Woo Shin

(57) **CLAIM**
We claim the ornamental design for a rubber track, as shown and described.

DESCRIPTION
FIG. 1 is a front, top, left side perspective view of a Rubber Track, showing our new design;
FIG. 2 is a front elevational view thereof;
FIG. 3 is a rear elevational view thereof;
FIG. 4 is a left side elevational view thereof;
FIG. 5 is a right side elevational view thereof;
FIG. 6 is a top plan view thereof;
FIG. 7 is a bottom plan view thereof;
FIG. 8 is a front, top, right side perspective view thereof;
FIG. 9 is a rear, top, left side perspective view thereof; and
FIG. 10 is another front, top, left side perspective view thereof.

1 Claim, 9 Drawing Sheets



(56)

References Cited

U.S. PATENT DOCUMENTS

D768,033 S * 10/2016 Degtyarev D12/7
D768,034 S * 10/2016 Degtyarev D12/7
D777,804 S * 1/2017 Doyle D15/28
D798,912 S * 10/2017 Doyle D15/28
D811,448 S * 2/2018 Mutsuo D15/28
D827,678 S * 9/2018 Choi D15/28
D827,679 S * 9/2018 Choi D15/28
D827,680 S * 9/2018 Choi D15/28
D827,681 S * 9/2018 Choi D15/28
D844,487 S * 4/2019 Ziegler D12/7

* cited by examiner

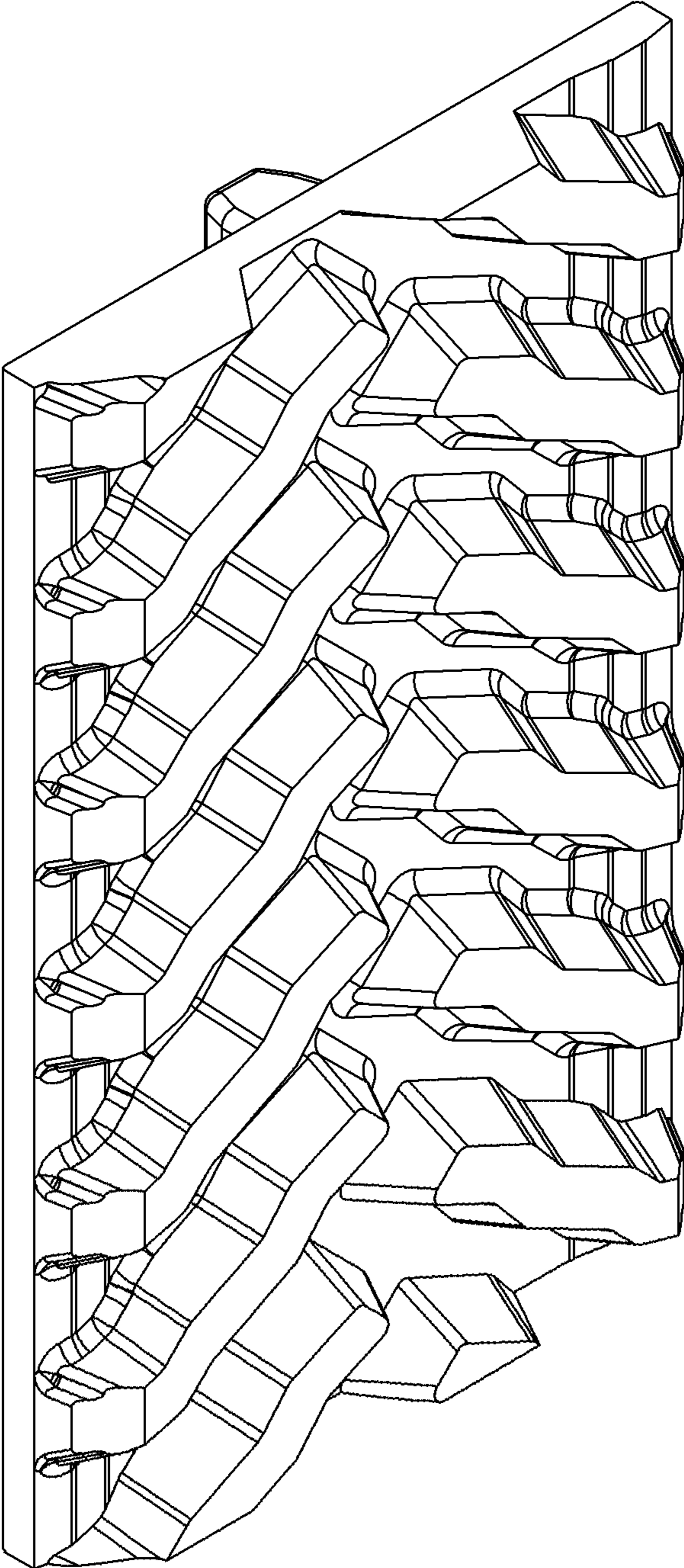


FIG. 1

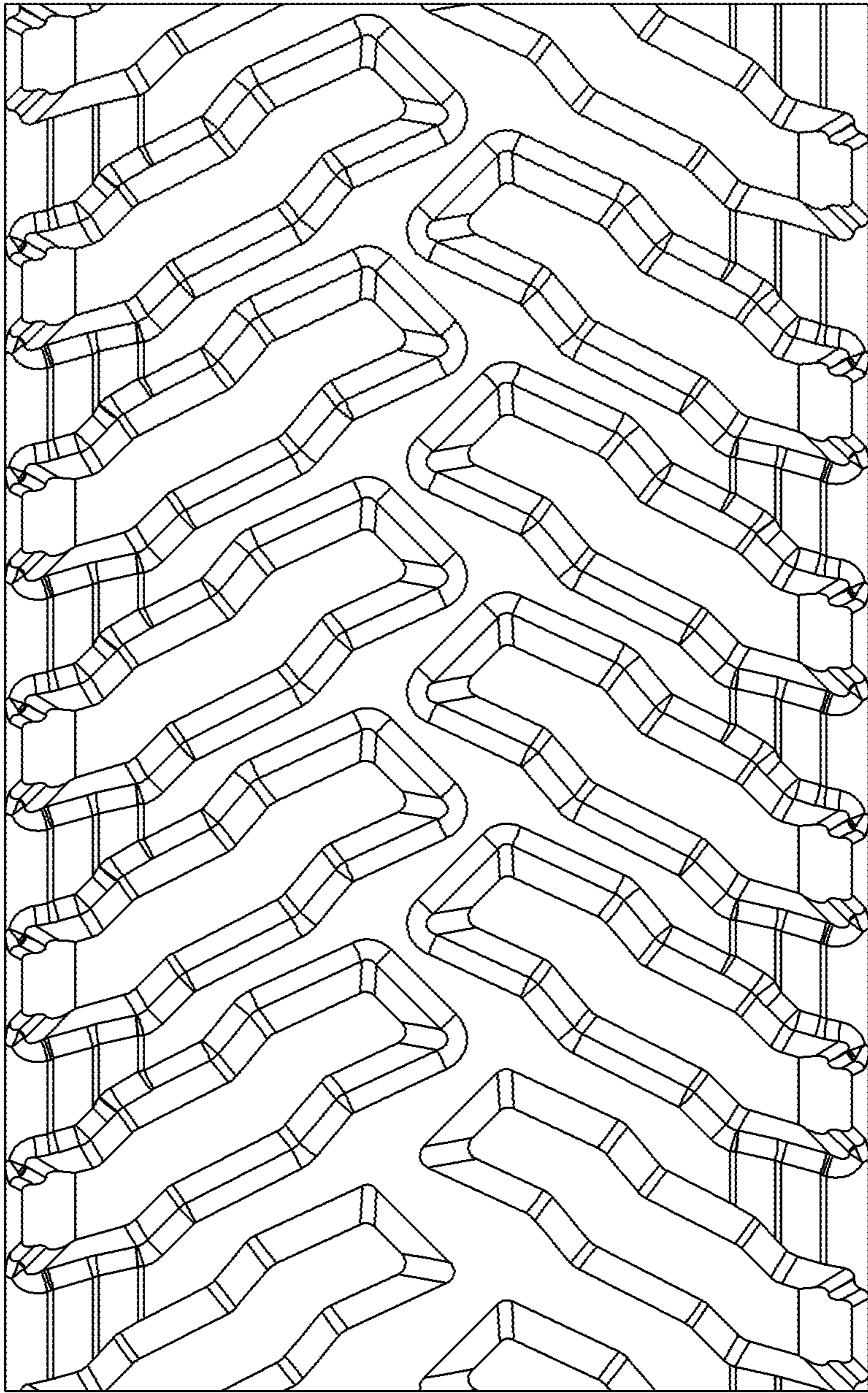


FIG. 2

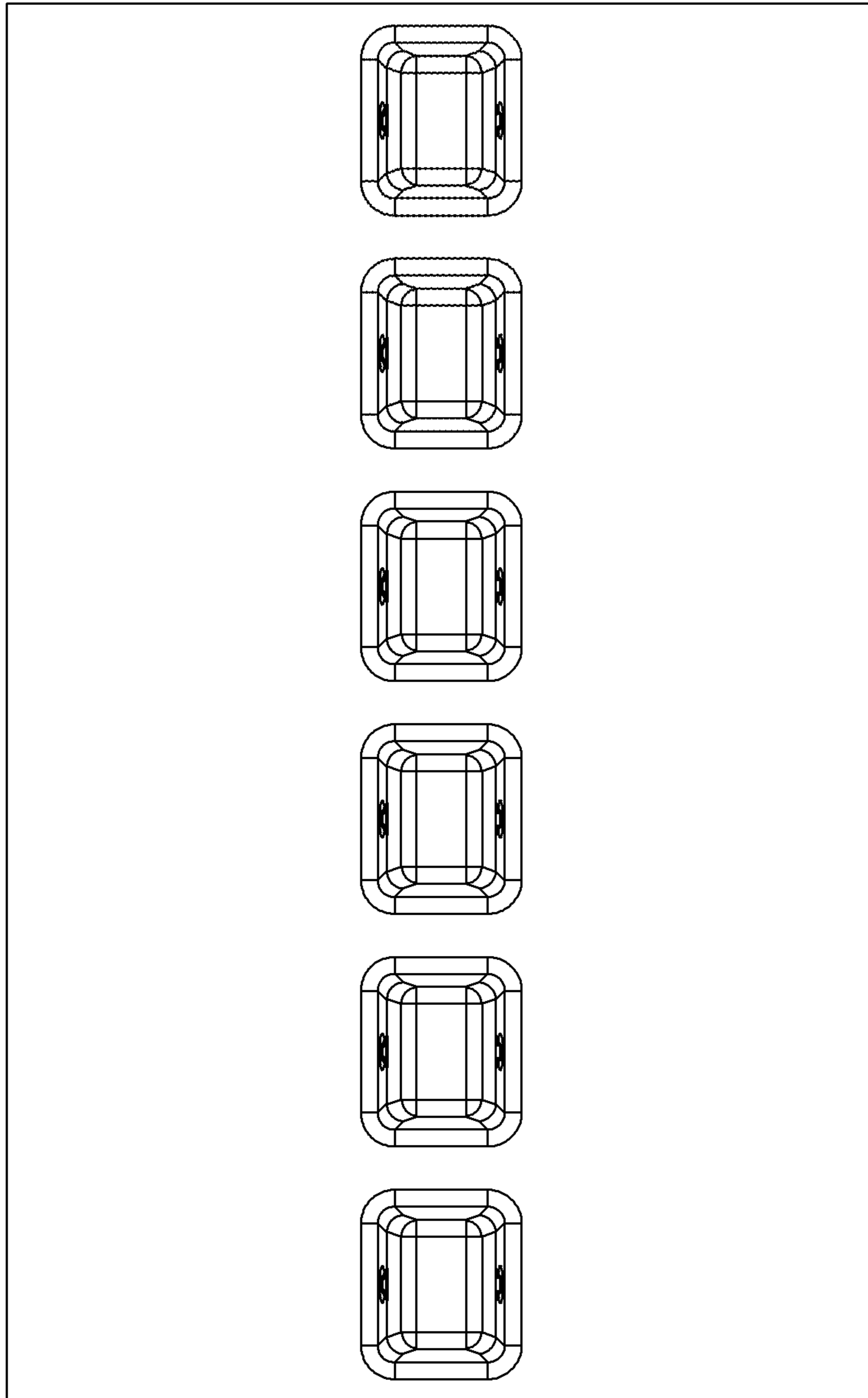


FIG. 3

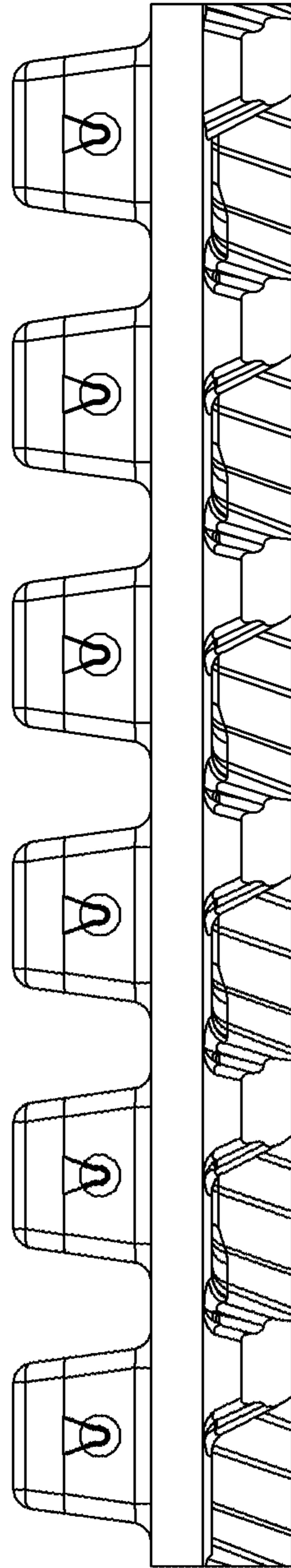


FIG. 4

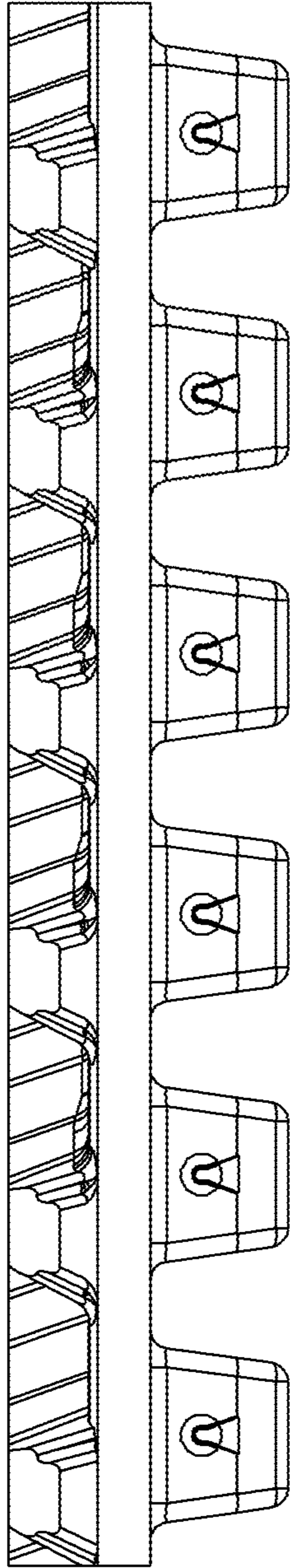


FIG. 5

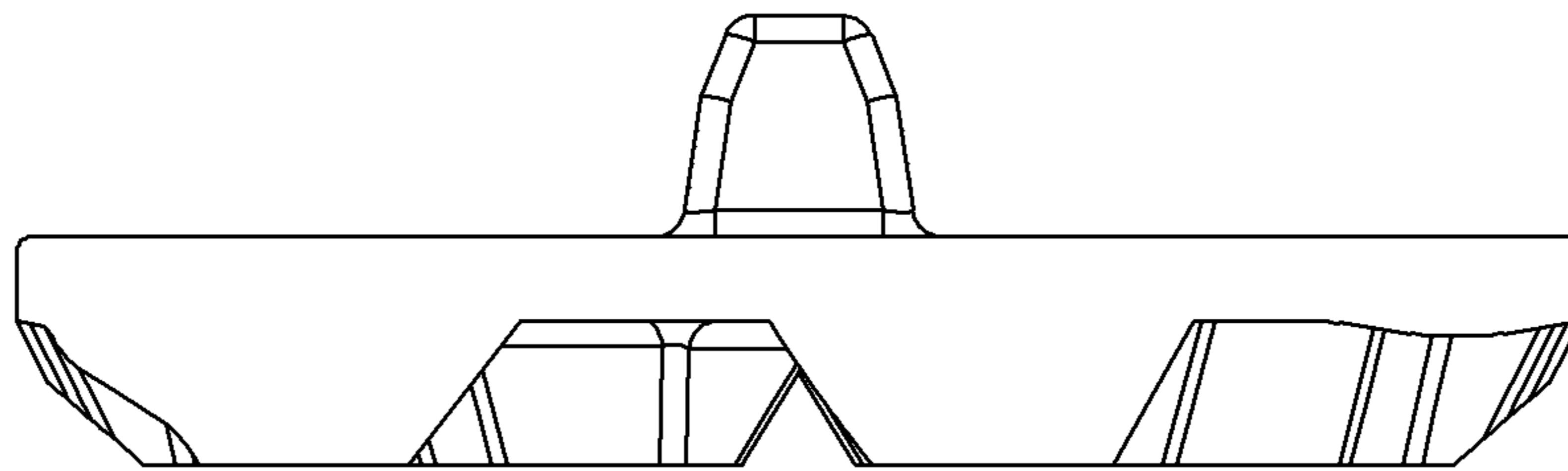


FIG. 6

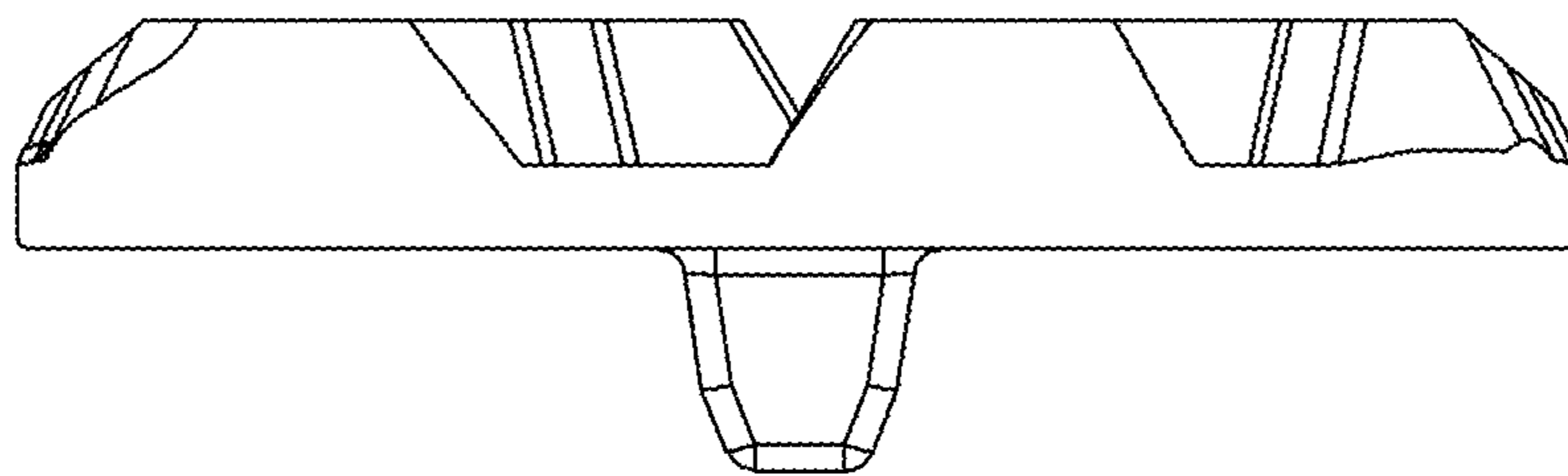


FIG. 7

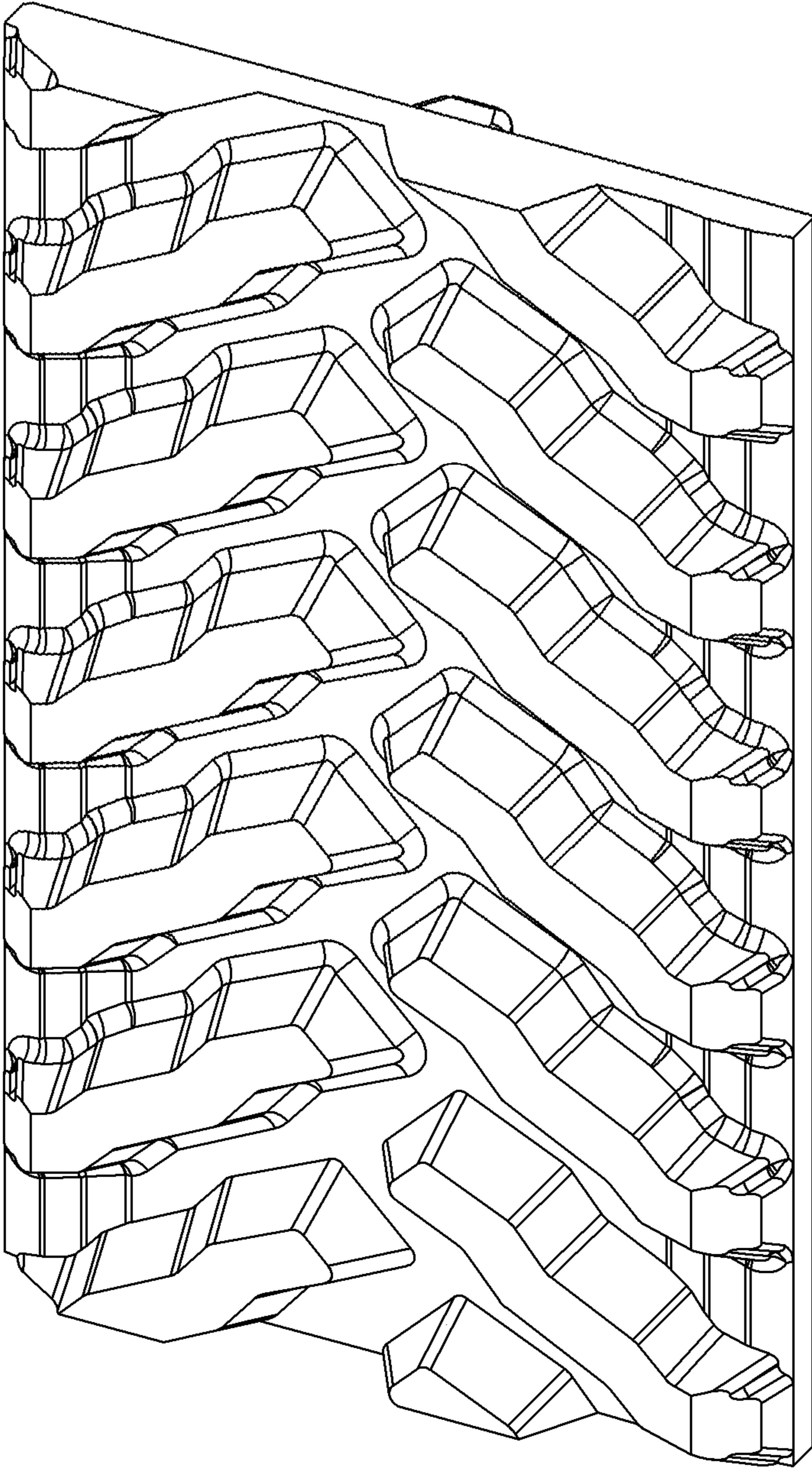


FIG. 8

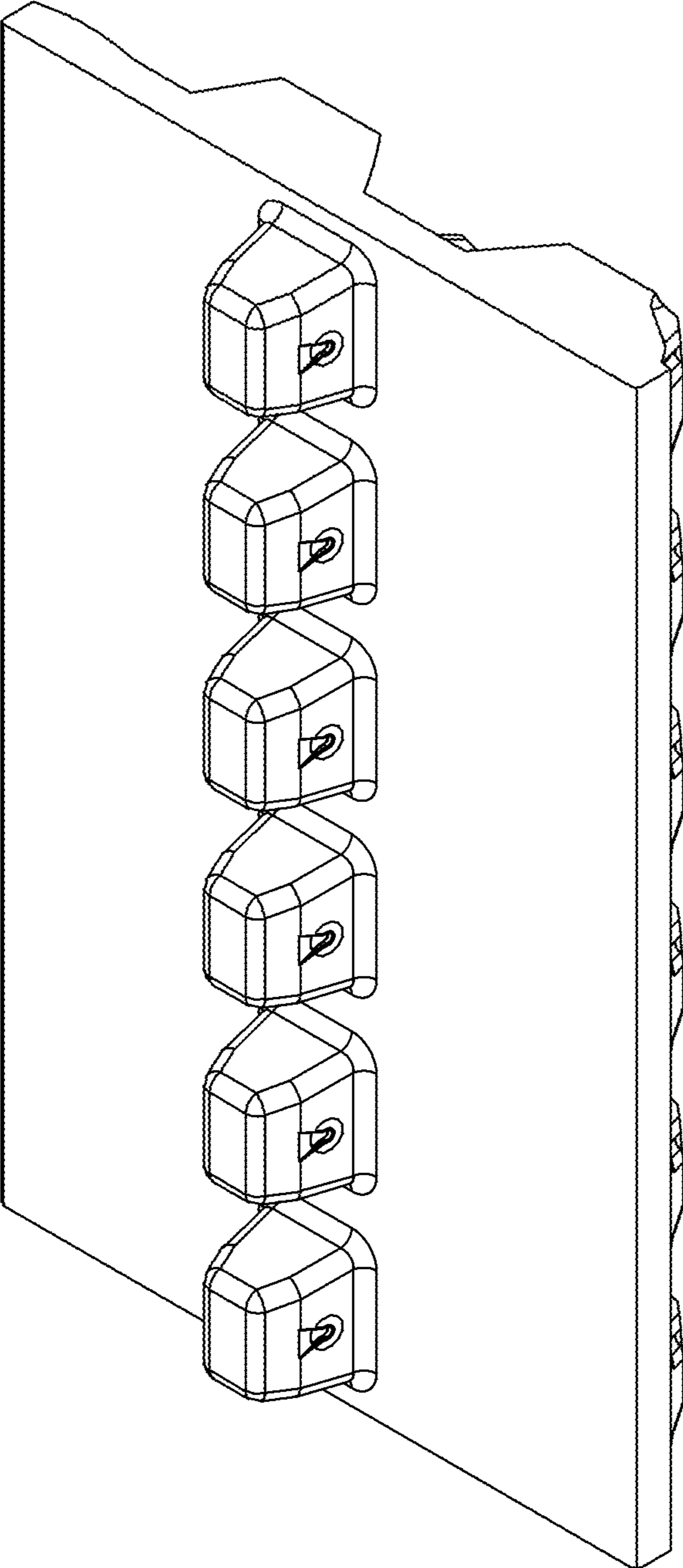


FIG. 9

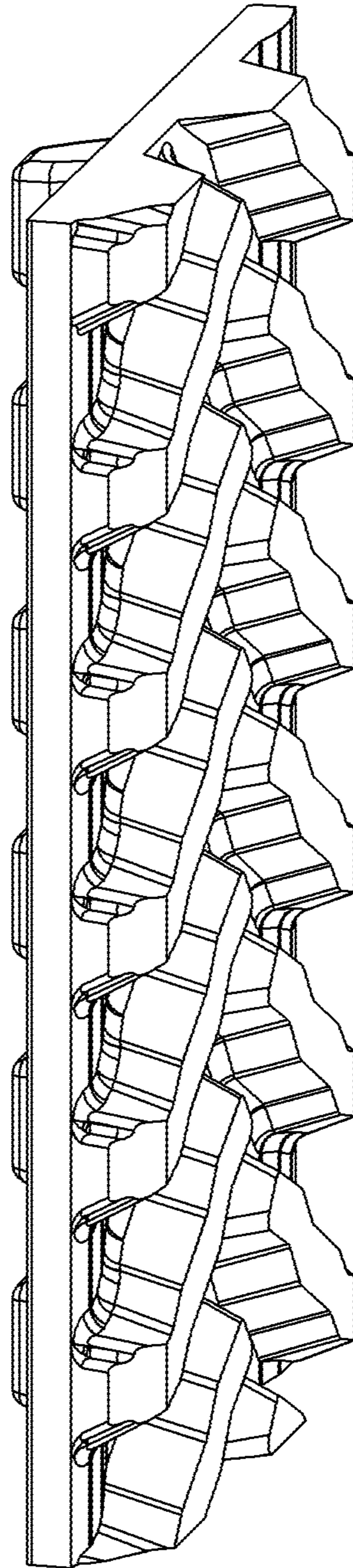


FIG. 10