



US00D912101S

(12) **United States Design Patent**
Pastier et al.

(10) **Patent No.:** **US D912,101 S**
(45) **Date of Patent:** **** Mar. 2, 2021**

- (54) **BACKHOE LOADER**
- (71) Applicant: **Clark Equipment Company**, West Fargo, ND (US)
- (72) Inventors: **Tomas Pastier**, Zvolen (SK); **Jan Smekal**, Lhota u Dolnich Brežan (CZ); **Gul Nalcaci**, Mersin (TR)
- (73) Assignee: **CLARK EQUIPMENT COMPANY**, West Fargo, ND (US)

D406,151 S *	2/1999	Cunningham	D15/25
D416,266 S *	11/1999	Del Torchio	D15/25
D431,575 S *	10/2000	Park	D15/25
D523,027 S *	6/2006	Yamashita	D15/23
D529,932 S *	10/2006	Yamashita	D15/25
D628,599 S *	12/2010	Major	D15/23
D629,017 S *	12/2010	Major	D15/23
D802,027 S *	11/2017	Underhill	D15/25
D842,344 S *	3/2019	Okuyama	D15/23
D849,061 S *	5/2019	Underhill	D15/25
D851,133 S *	6/2019	Jilbert	D15/25
D851,135 S *	6/2019	Jilbert	D15/25

(**) Term: **15 Years**

* cited by examiner

(21) Appl. No.: **29/709,383**

Primary Examiner — Mark A Goodwin

(22) Filed: **Oct. 14, 2019**

(74) *Attorney, Agent, or Firm* — John Veldhuis-Kroeze; Westman, Champlin & Koehler, P.A.

(51) **LOC (13) Cl.** **15-03**

(52) **U.S. Cl.**
USPC **D15/25**

(58) **Field of Classification Search**
USPC D15/10, 22–26, 33
CPC E02F 9/2004; E02F 9/07; E02F 9/2091;
E02F 9/2246; E02F 9/2292; E02F 9/026;
E02F 9/0808; E02F 9/0833; E02F 9/0858;
E02F 9/0875; E02F 9/2045; E02F 3/627;
E02F 3/425; E02F 3/437; E02F 3/325;
E02F 3/352; E02F 3/384; E02F 3/00;
E02F 3/04; E02F 3/96; E02F 3/964;
B62D 21/186; B62D 49/06

See application file for complete search history.

(56) **References Cited**

U.S. PATENT DOCUMENTS

4,182,456 A *	1/1980	Paul	B62D 21/186
				280/781
5,265,995 A *	11/1993	Beck	E02F 3/964
				180/331

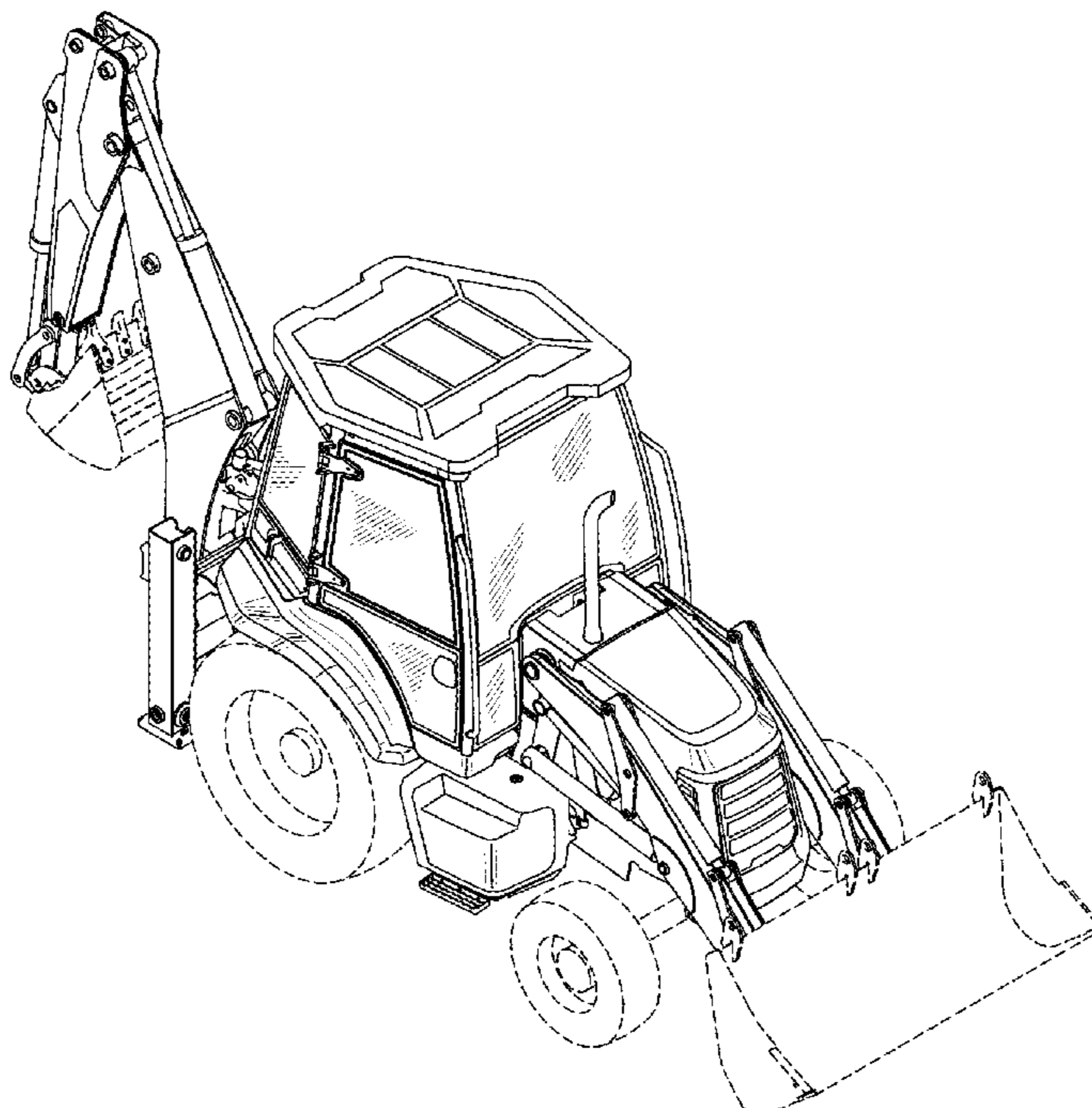
(57) **CLAIM**

The ornamental design for a backhoe loader, as shown and described.

DESCRIPTION

FIG. 1 is a perspective view of a backhoe loader showing our new design;
FIG. 2 is a front view thereof;
FIG. 3 is a back view thereof;
FIG. 4 is a left side view thereof;
FIG. 5 is a right side view of thereof;
FIG. 6 is a top view thereof; and,
FIG. 7 is a bottom view thereof.
The broken lines shown in the drawings are included for purposes of illustrating portions of the backhoe loader and form no part of the claimed design.

1 Claim, 6 Drawing Sheets



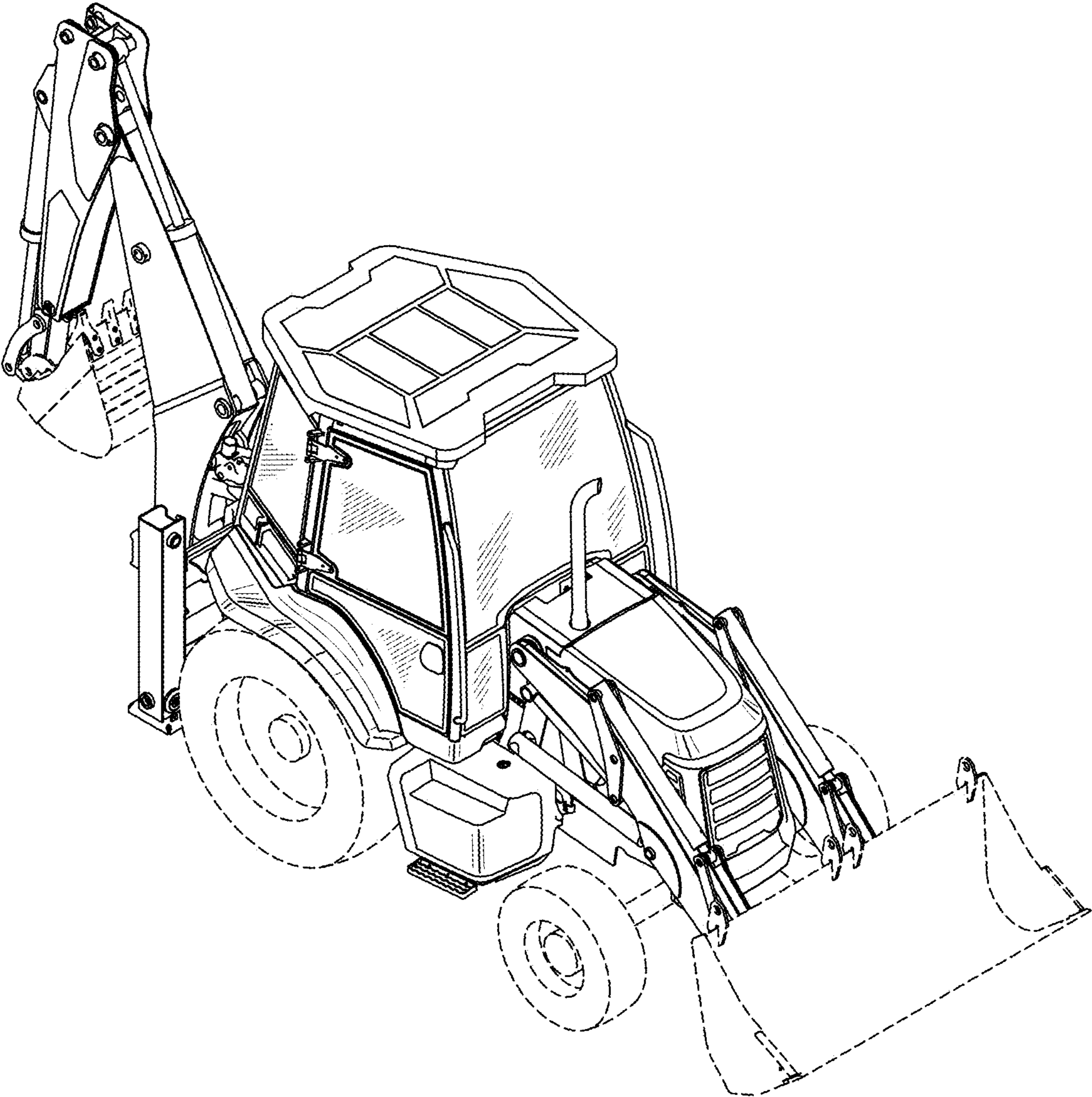


FIG. 1

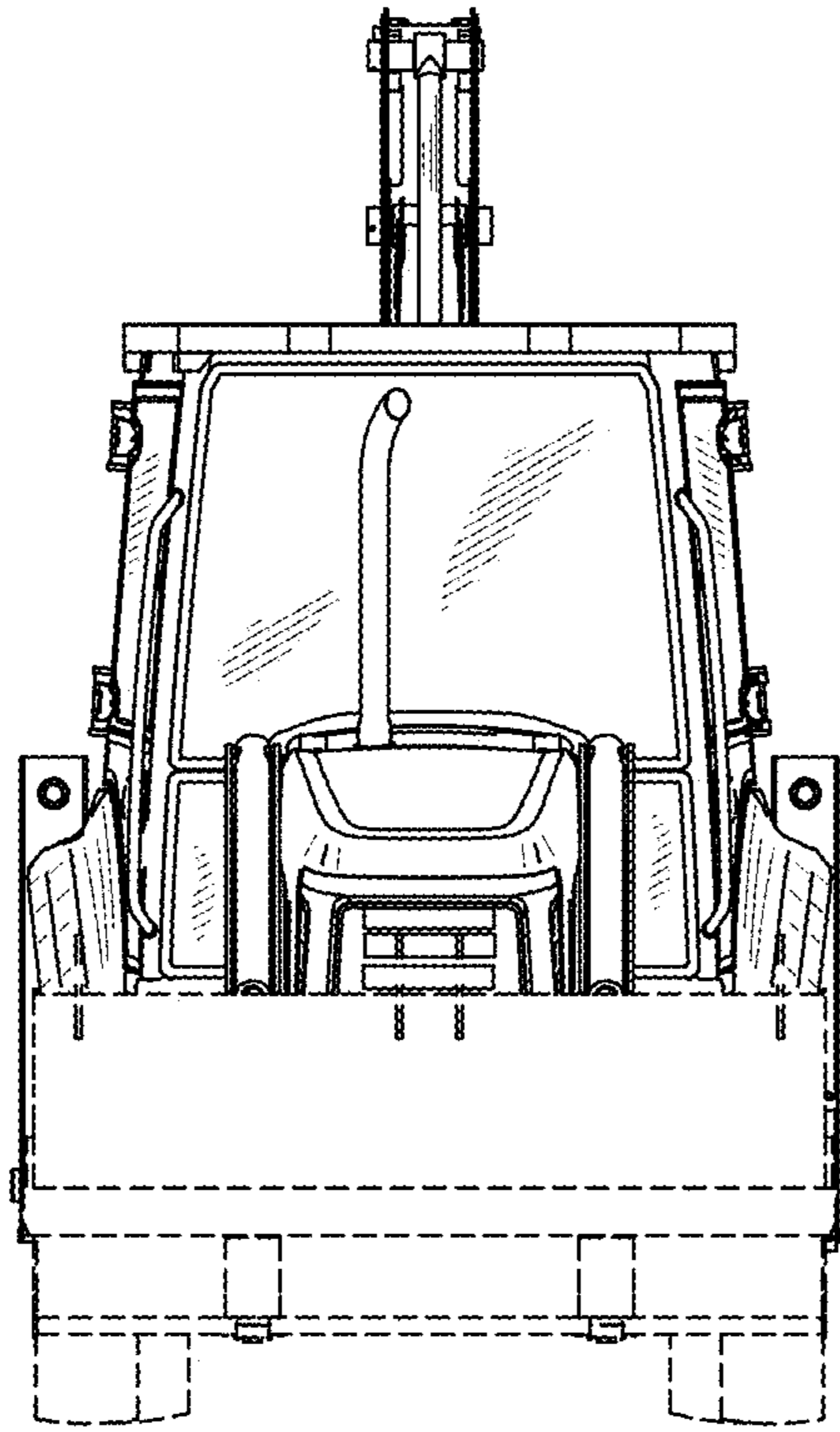


FIG. 2

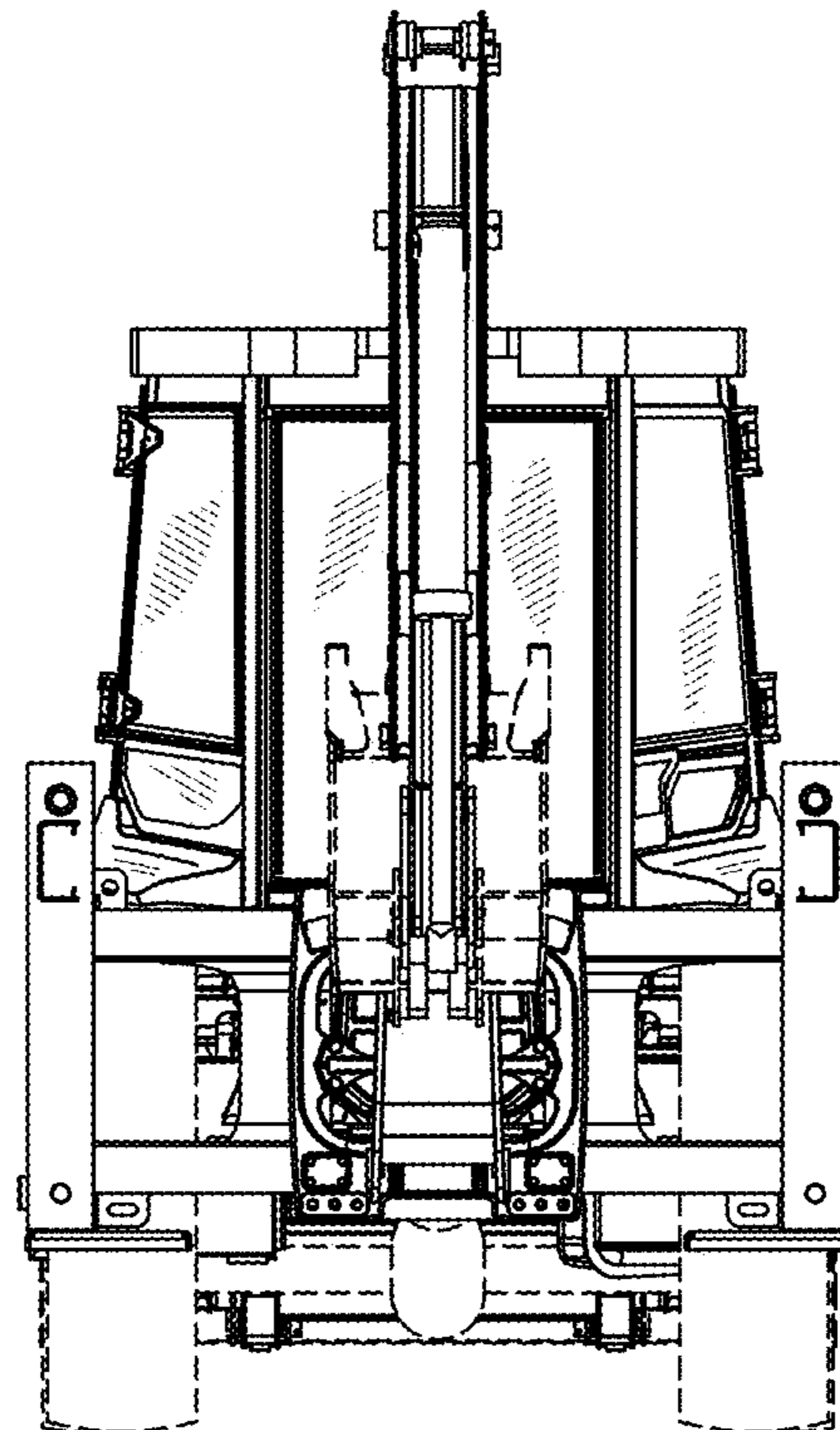


FIG. 3

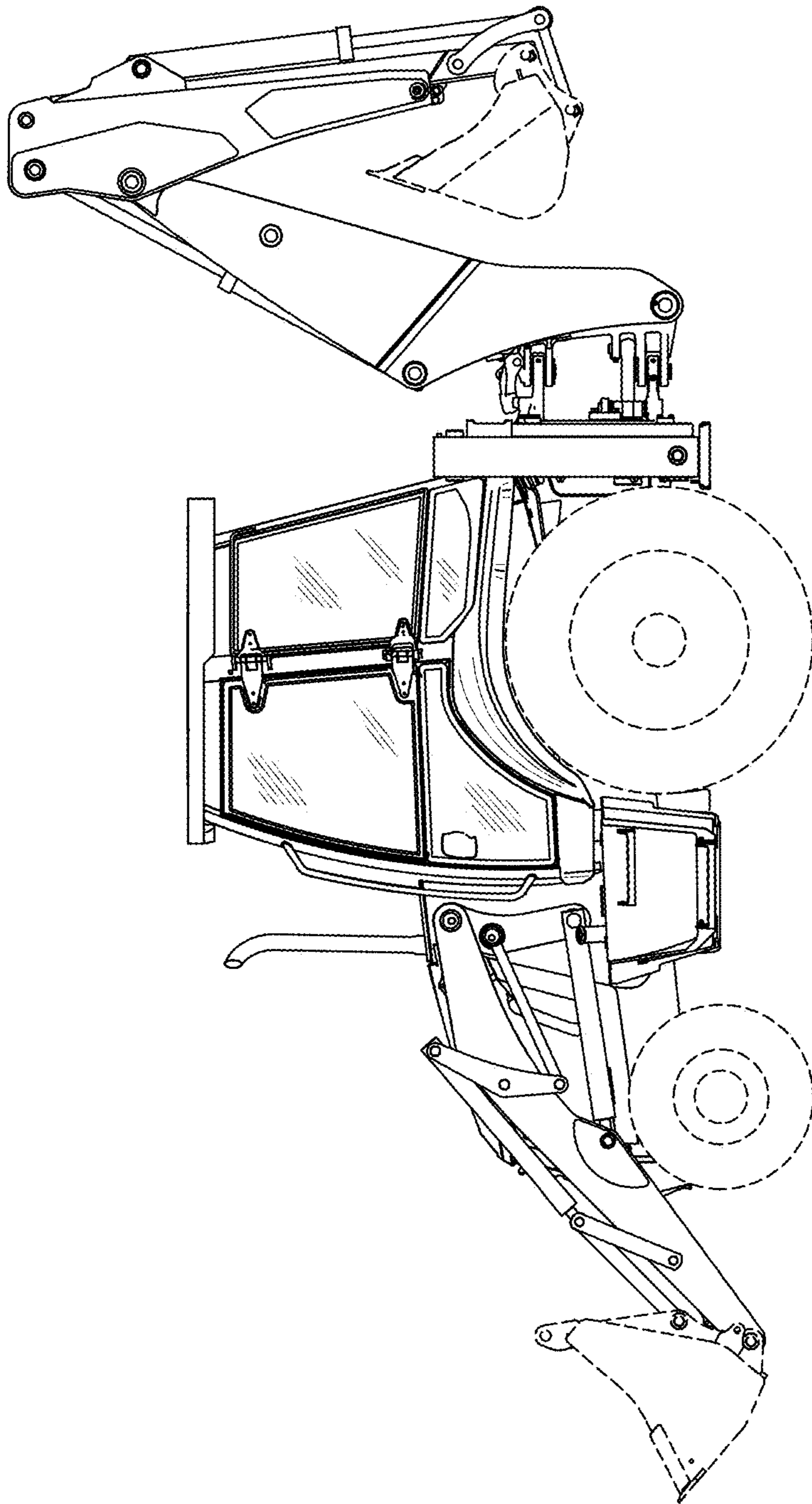


FIG. 4

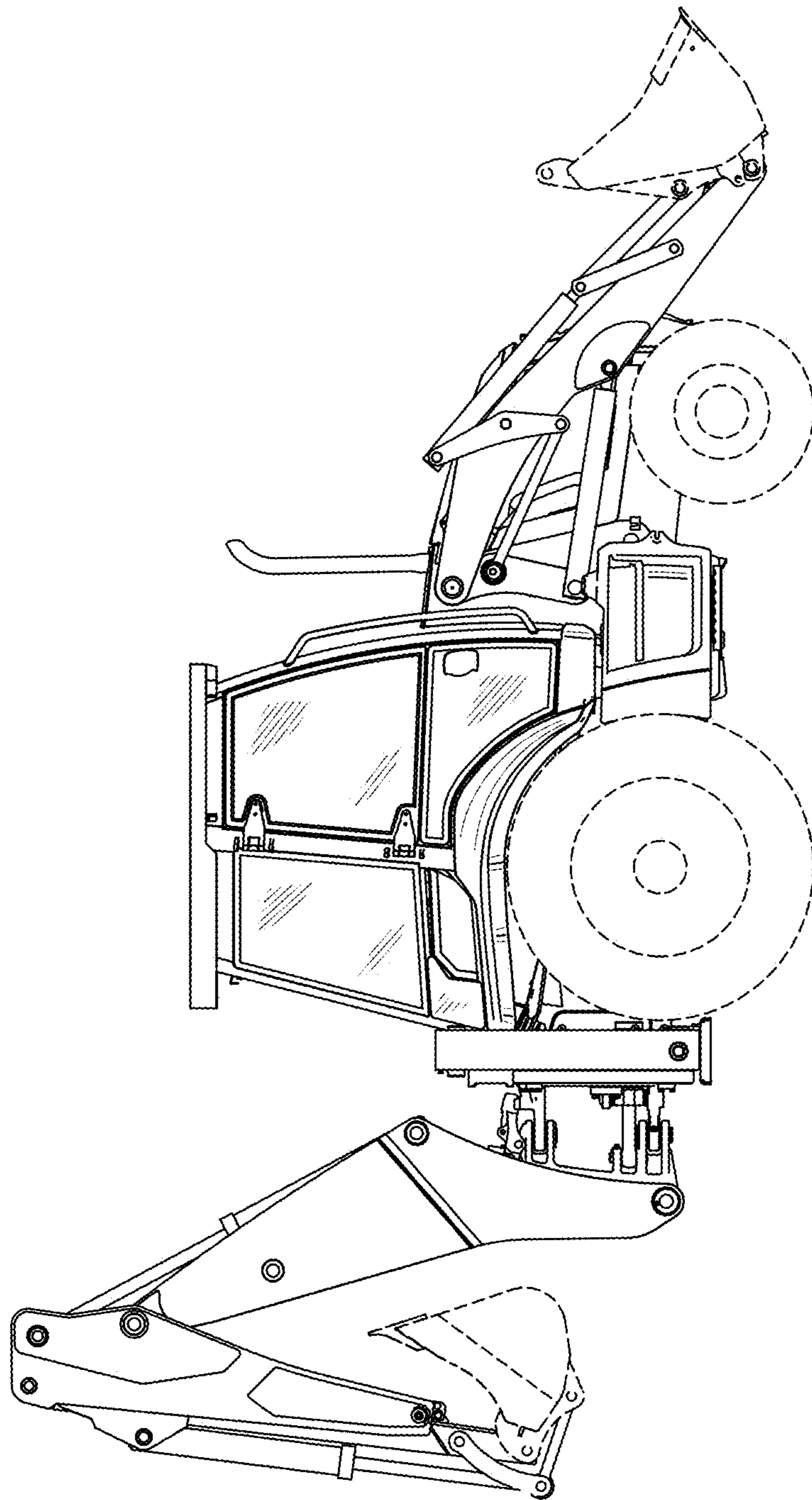


FIG. 5

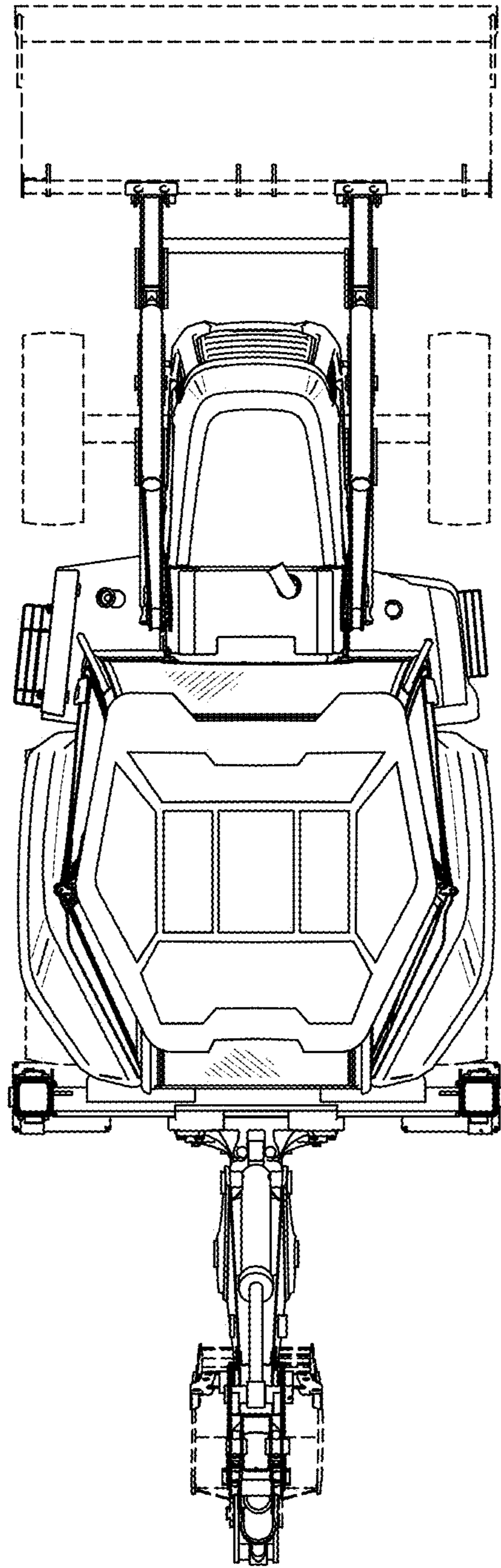


FIG. 6

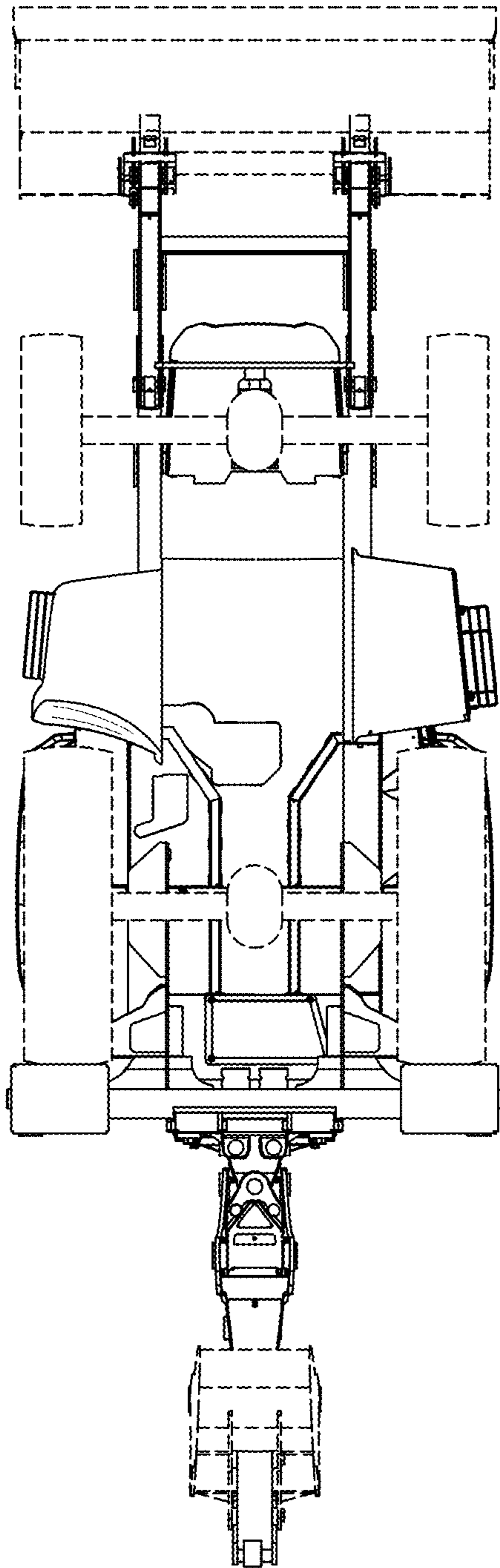


FIG. 7