



US00D912100S

(12) **United States Design Patent**
Zhao et al.

(10) **Patent No.:** **US D912,100 S**

(45) **Date of Patent:** **** Mar. 2, 2021**

(54) **MOTOR GRADER**

(71) Applicants: **JIANGSU XCMG CONSTRUCTION MACHINERY RESEARCH INSTITUTE LTD.**, Xuzhou (CN); **XUZHOU XUGONG ROAD CONSTRUCTION MACHINERY CO., LTD**, Xuzhou (CN)

D548,752 S *	8/2007	Merghani	D15/23
D557,711 S *	12/2007	Merghani	D15/23
D568,906 S *	5/2008	Merghani	D15/23
D593,582 S *	6/2009	Ono	D15/23
D594,035 S *	6/2009	Ono	D15/23
D624,566 S *	9/2010	Patkar	D15/23
D626,152 S *	10/2010	Patkar	D15/23
D880,533 S *	4/2020	Major	D15/23
D886,161 S *	6/2020	Huliyar	D15/23
D887,453 S *	6/2020	Huliyar	D15/23

(72) Inventors: **Bin Zhao**, Xuzhou (CN); **Xuemei Zong**, Xuzhou (CN); **Yimin Zhang**, Xuzhou (CN); **Shengli Lu**, Xuzhou (CN)

FOREIGN PATENT DOCUMENTS

CN 201930056250.0 7/2019

* cited by examiner

(**) Term: **15 Years**

Primary Examiner — Mark A Goodwin

(21) Appl. No.: **29/722,282**

(74) *Attorney, Agent, or Firm* — Kilpatrick Townsend & Stockton, LLP

(22) Filed: **Jan. 28, 2020**

(51) **LOC (13) Cl.** **12-09**

(52) **U.S. Cl.**
USPC **D15/23**

(57) **CLAIM**

The ornamental design for a motor grader, as shown and described.

(58) **Field of Classification Search**
USPC D15/10-12, 19, 21-23, 28, 30-33;
D21/537; 180/238, 264, 267, 420;
172/781-785, 788, 1, 776, 790, 430, 611,
172/792
CPC E02F 3/764; E02F 3/765; E02F 3/7604;
E02F 3/7636; E02F 3/769; E02F 3/7695;
E02F 3/00
See application file for complete search history.

DESCRIPTION

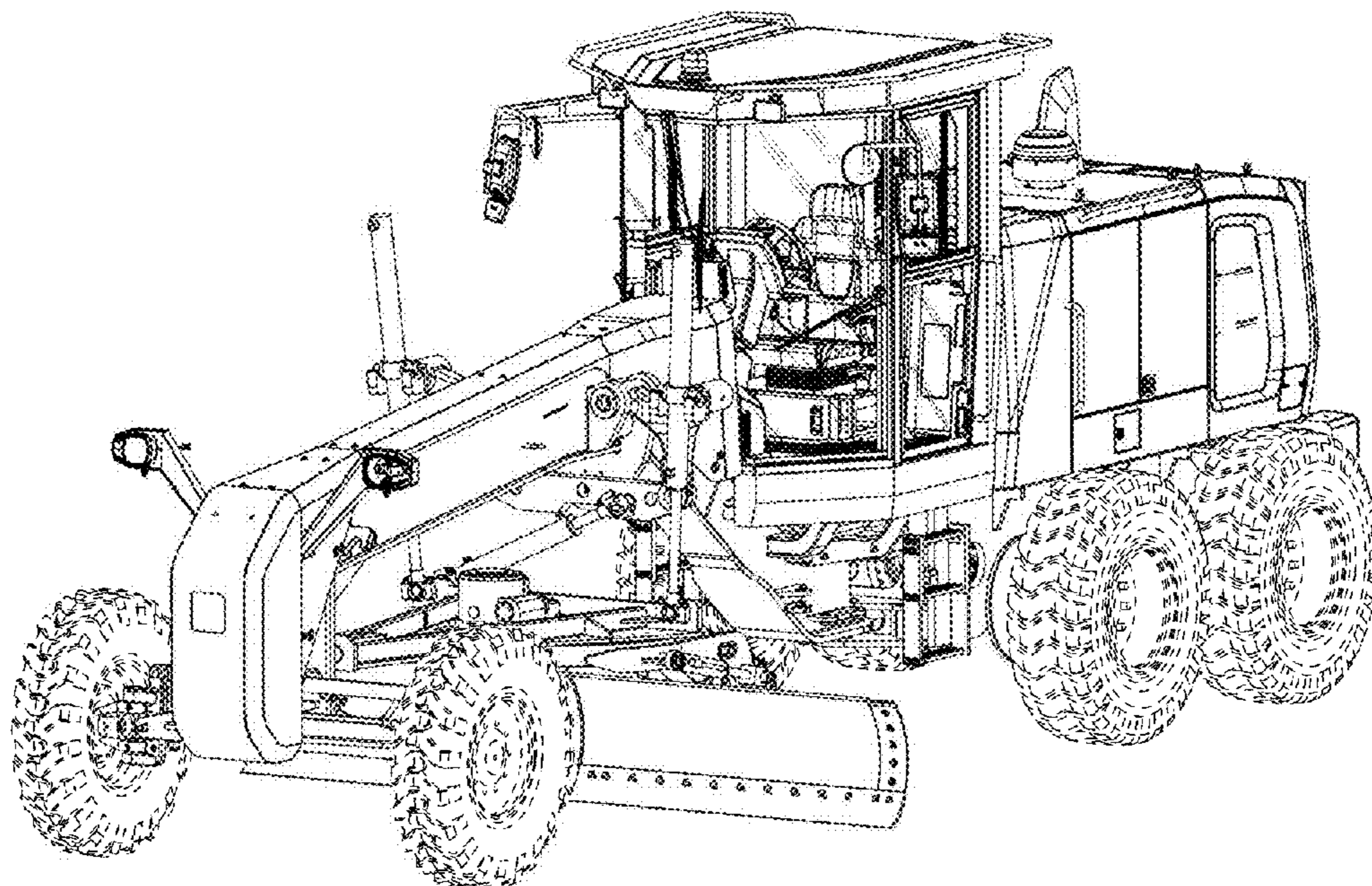
FIG. 1 is a right front perspective view of a motor grader showing the claimed design;
FIG. 2 is a left front perspective view thereof;
FIG. 3 is a right rear perspective view thereof;
FIG. 4 is a left rear perspective view thereof;
FIG. 5 is a right elevation view thereof;
FIG. 6 is a left elevation view thereof;
FIG. 7 is a front elevation view thereof;
FIG. 8 is a rear elevation view thereof;
FIG. 9 is a top plan view thereof; and,
FIG. 10 is a bottom plan view thereof.
The broken lines form no part of the claimed design.

(56) **References Cited**

U.S. PATENT DOCUMENTS

3,858,661 A *	1/1975	Hallam	E02F 3/764
				172/1
D275,107 S *	8/1984	Crabiel	D15/25

1 Claim, 10 Drawing Sheets



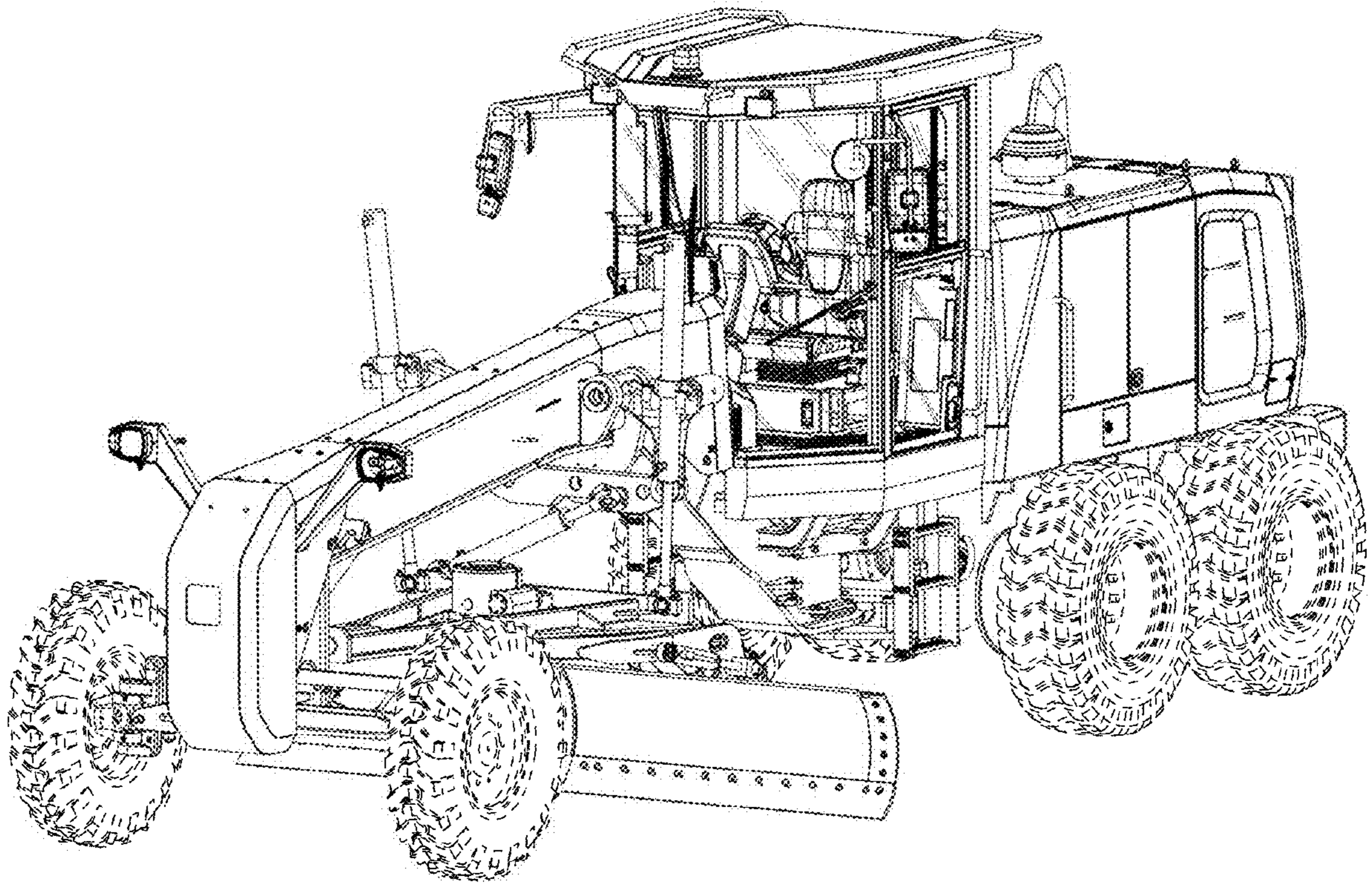


FIG. 1

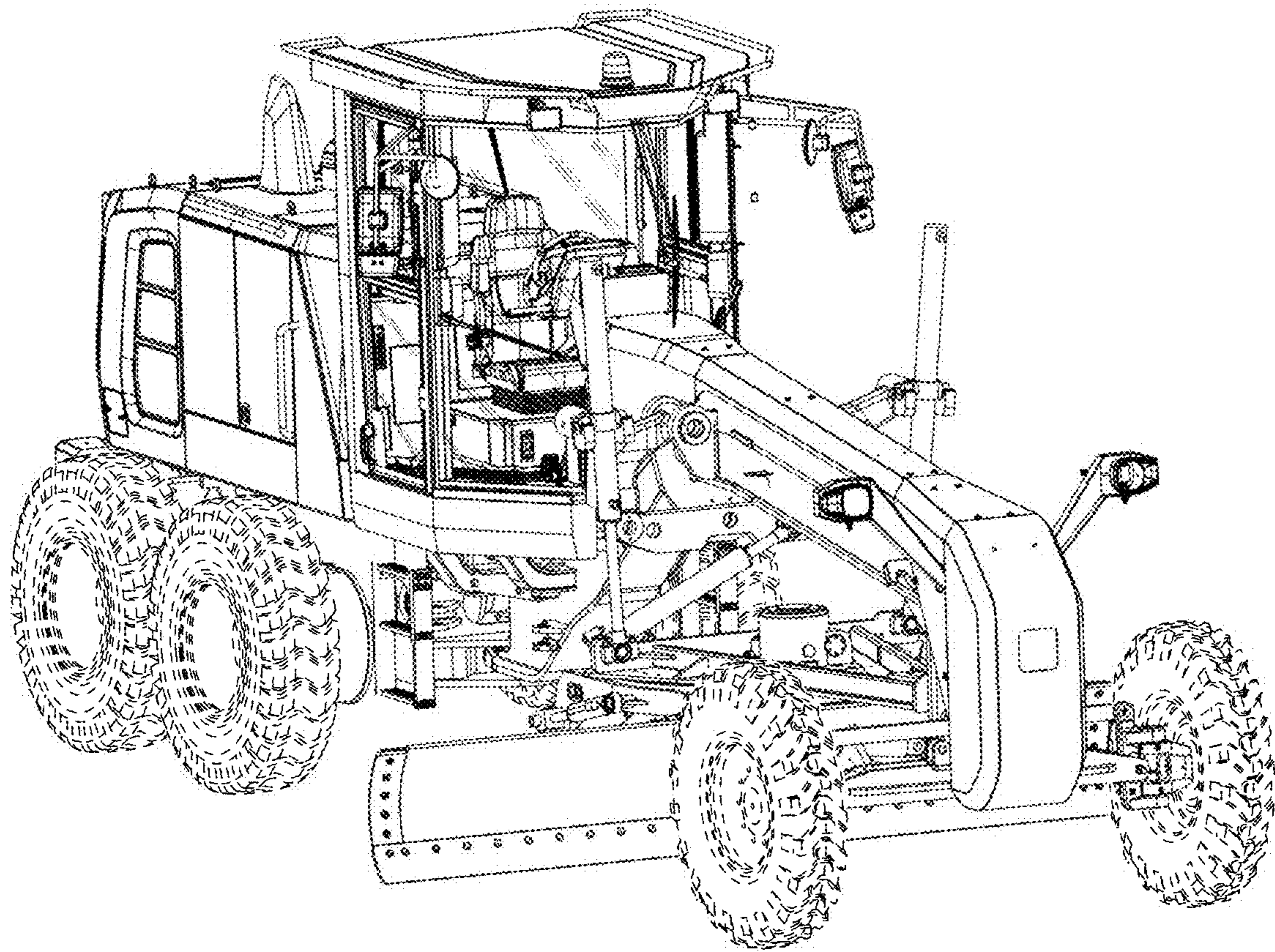


FIG. 2

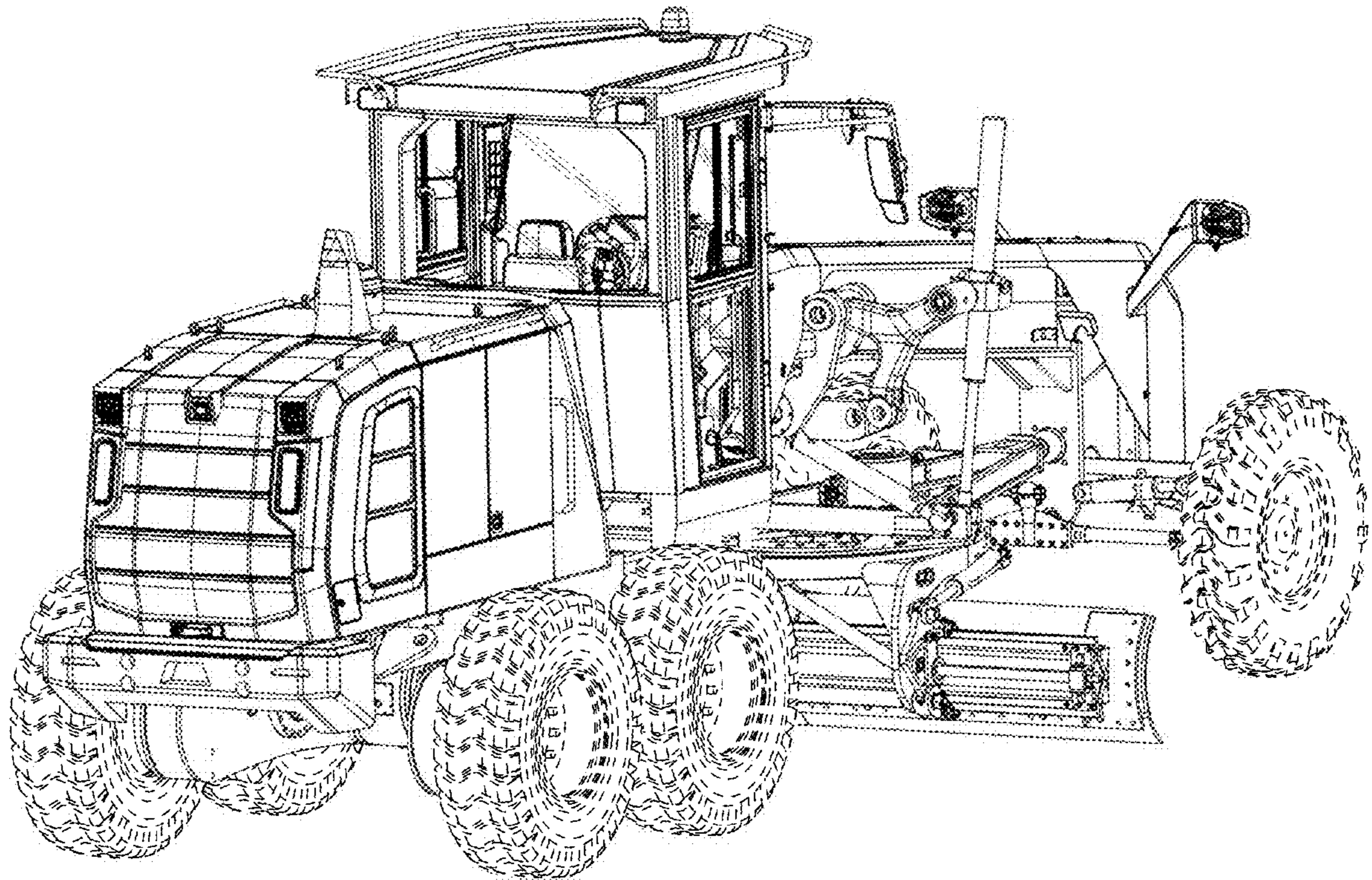


FIG. 3



FIG. 4

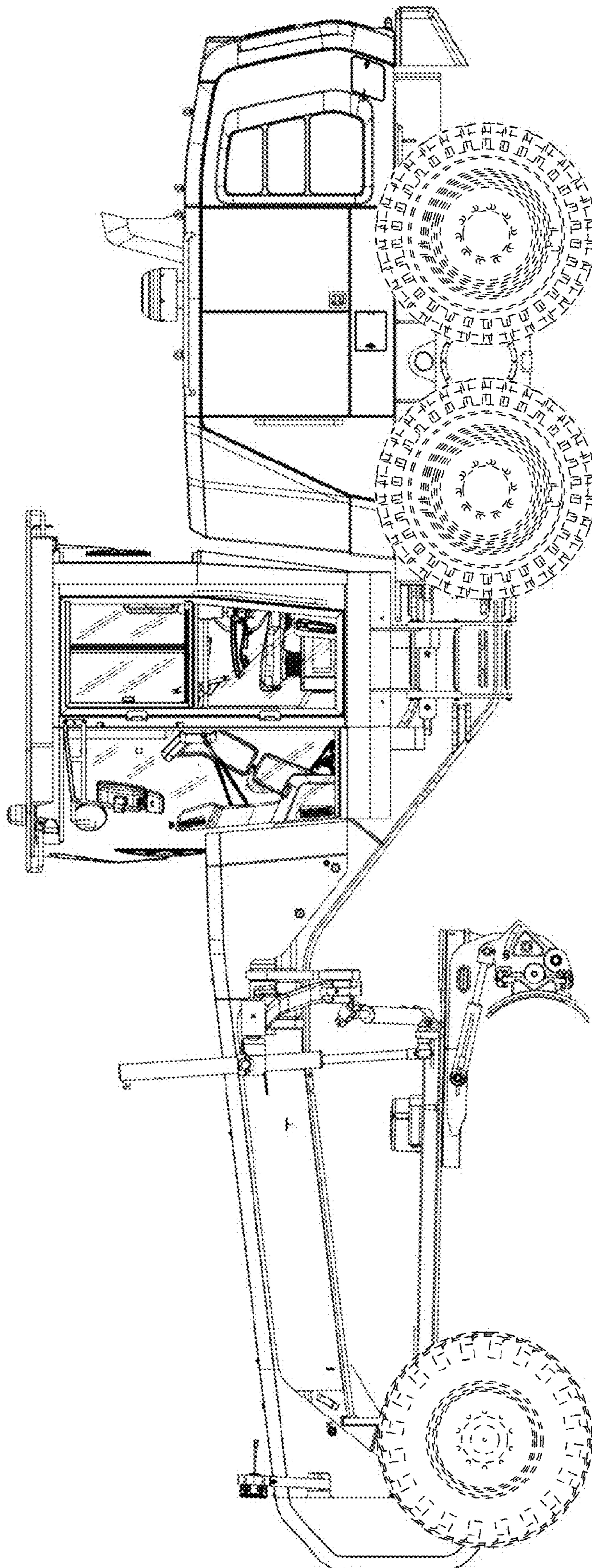


FIG. 5

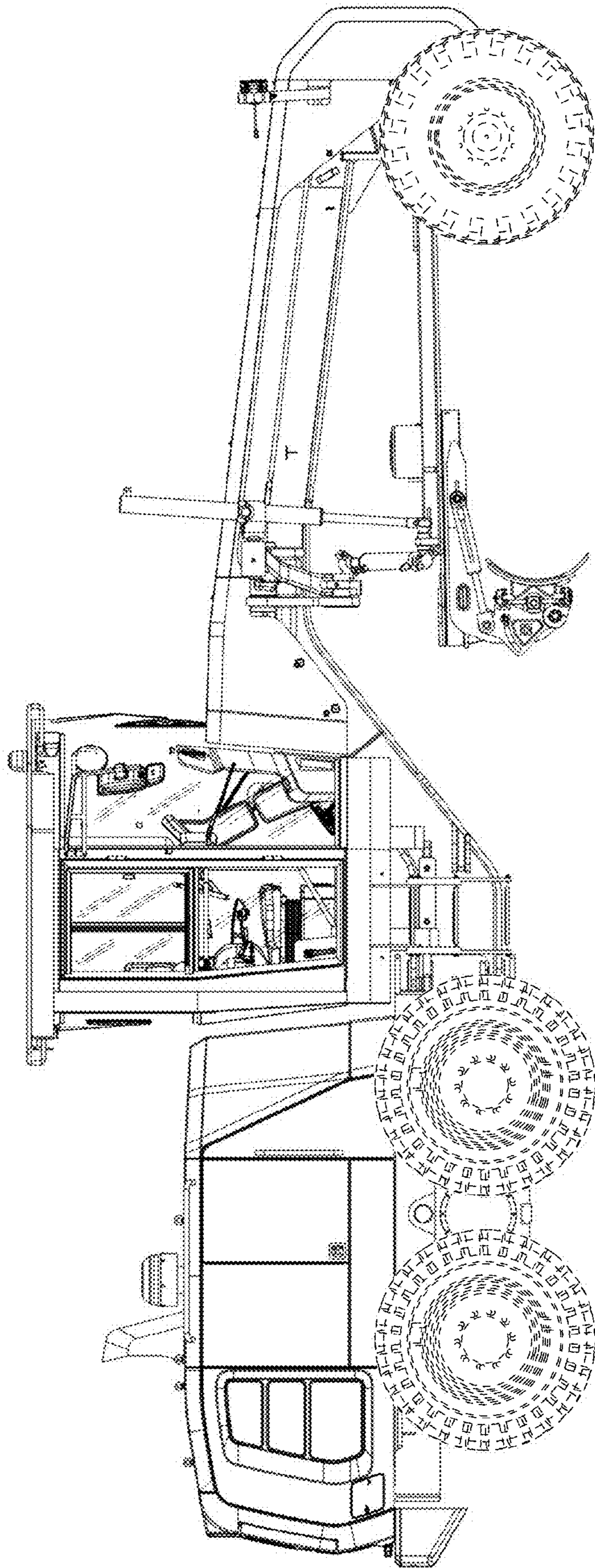


FIG. 6

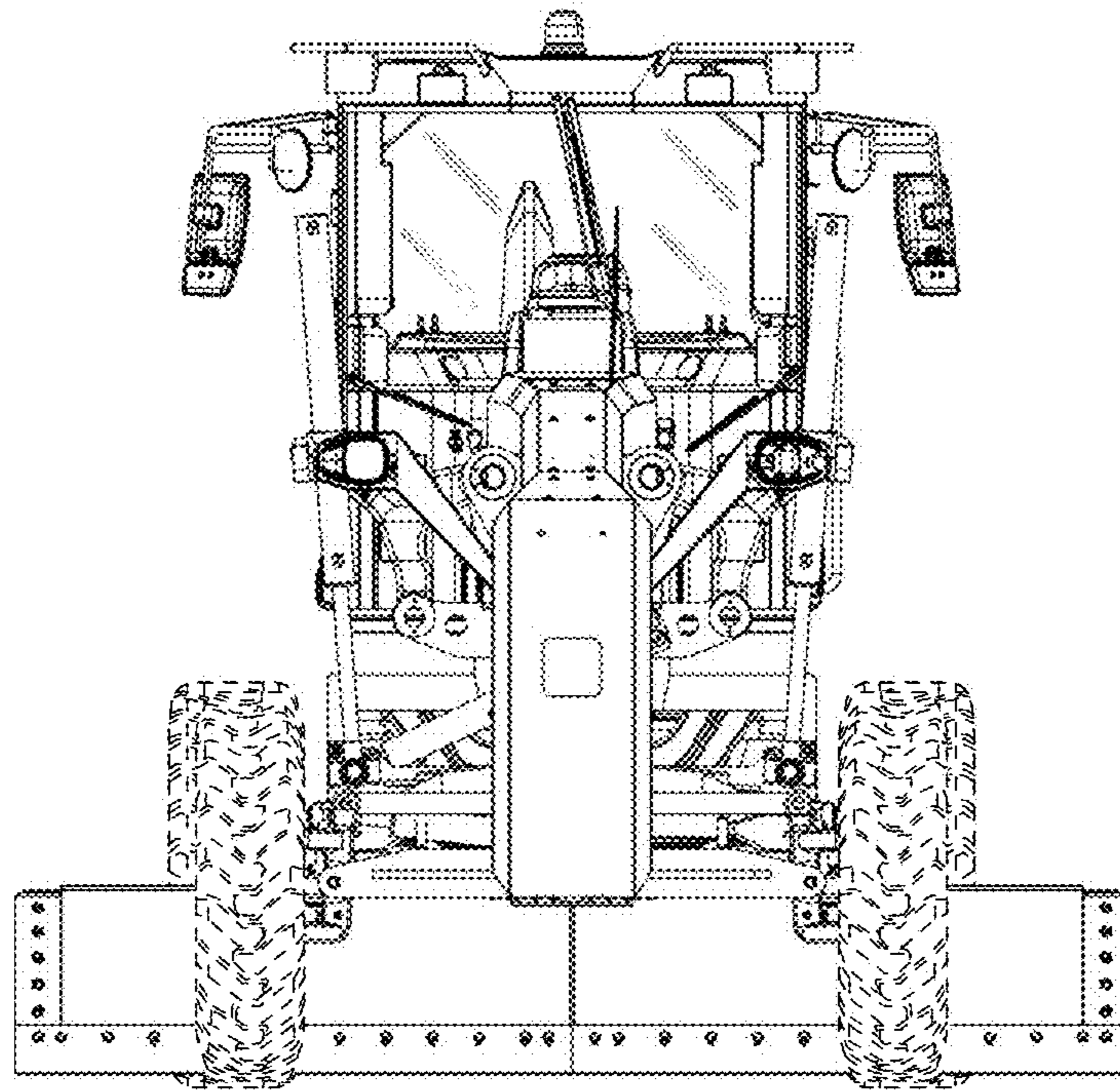


FIG. 7

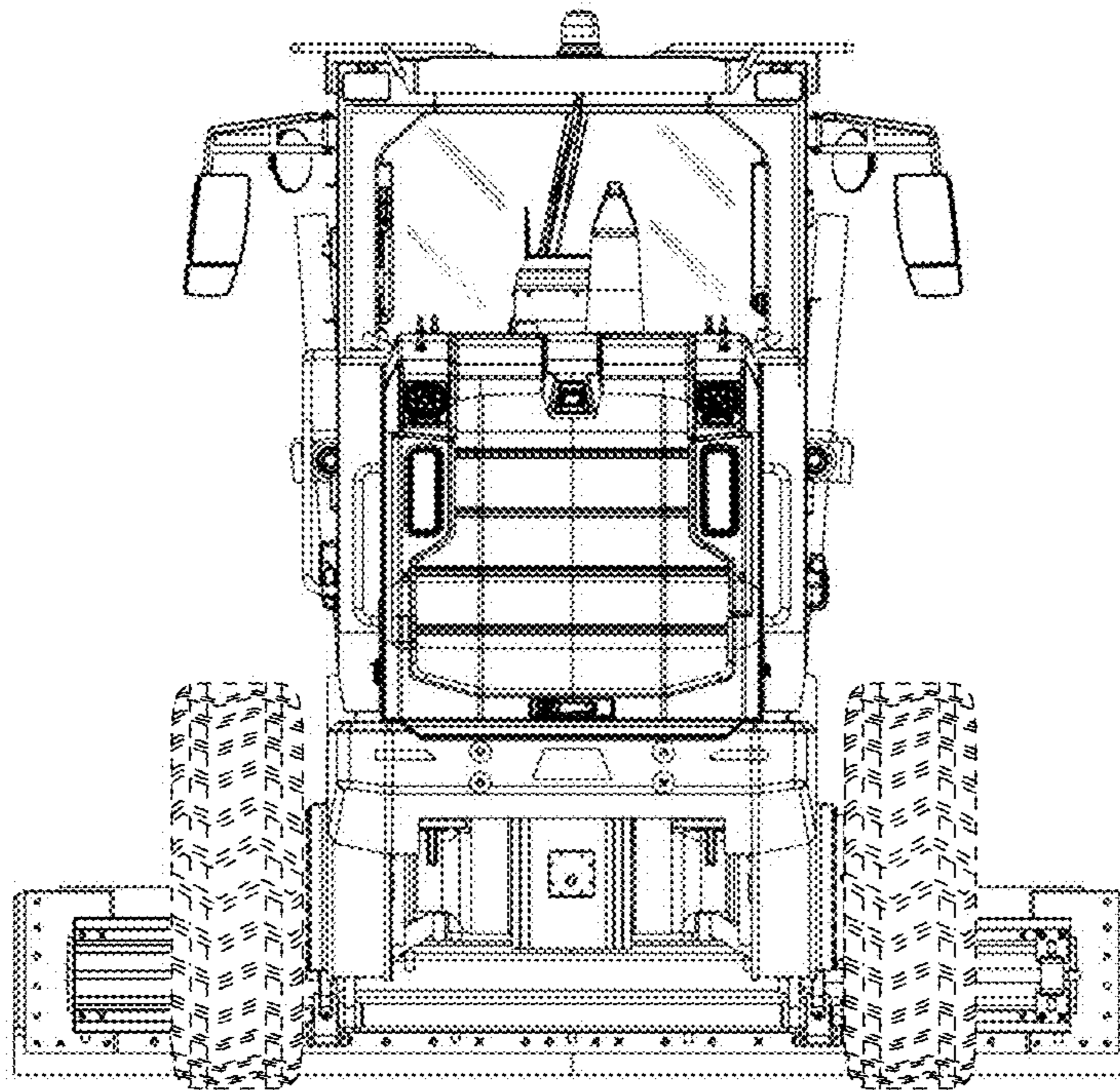


FIG. 8

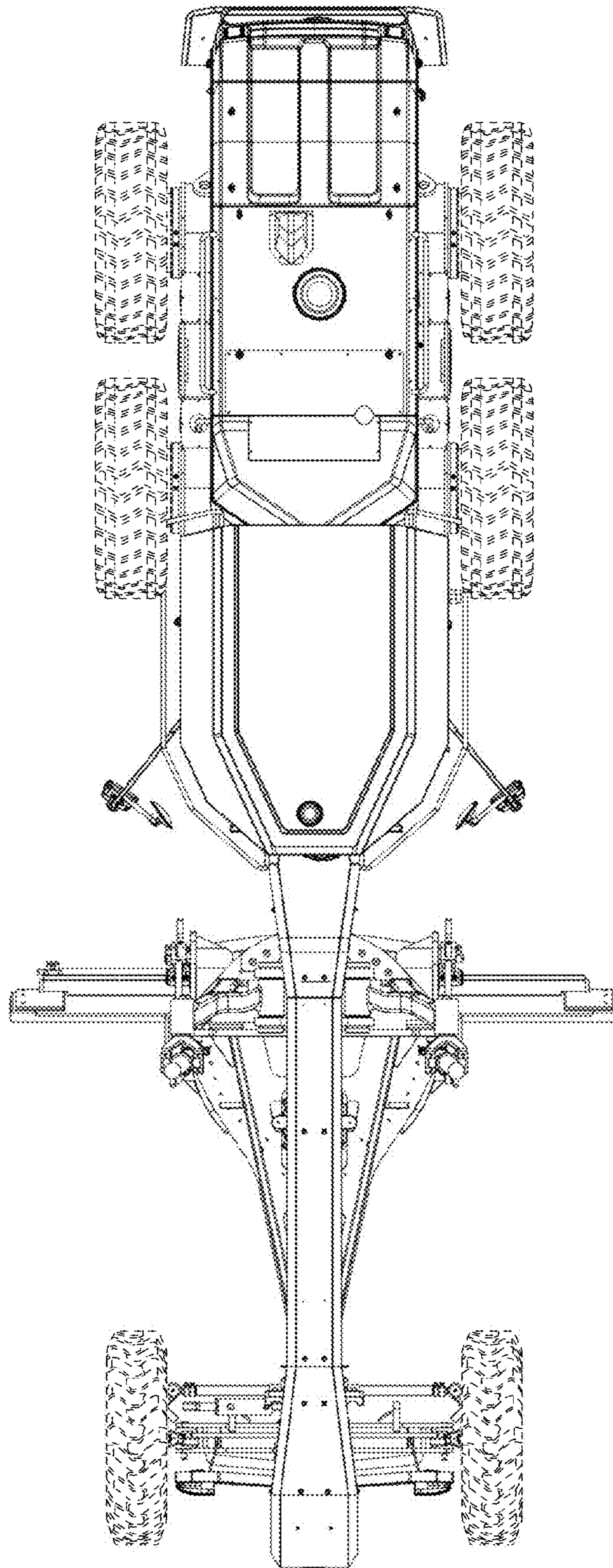


FIG. 9

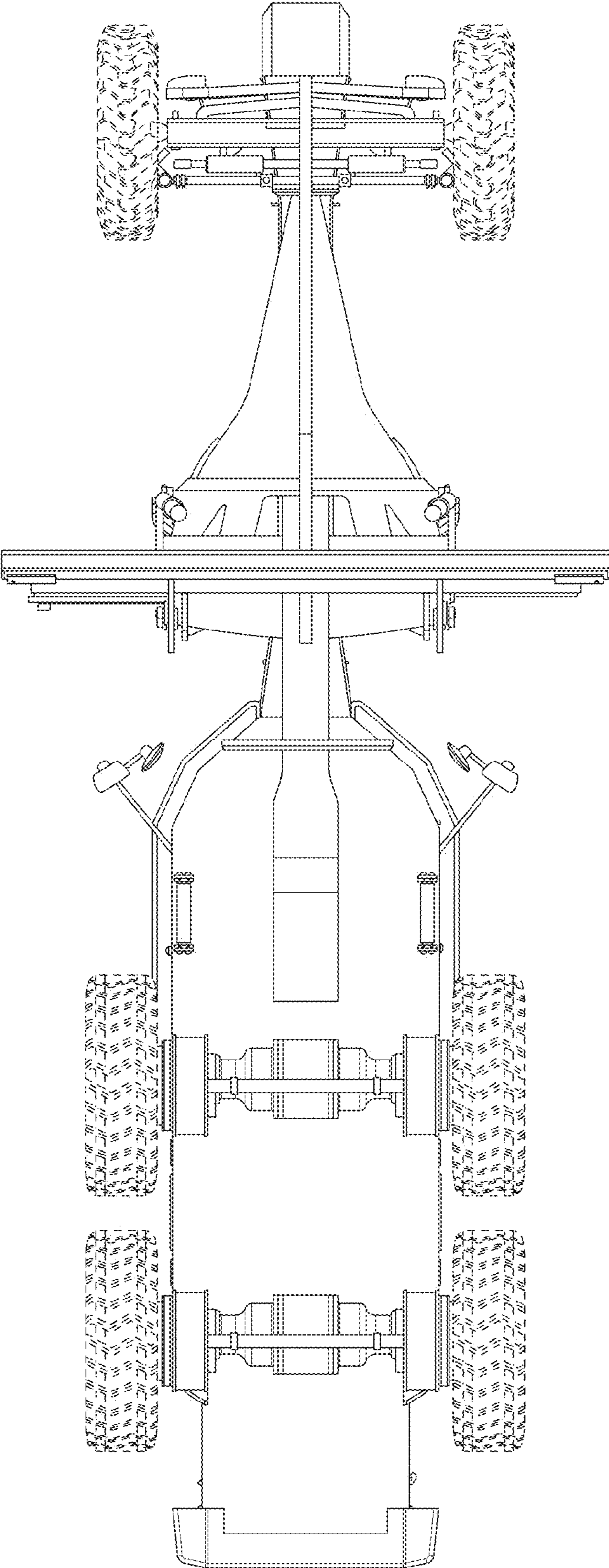


FIG. 10