



US00D912099S

(12) **United States Design Patent** (10) **Patent No.:** **US D912,099 S**  
**Manna et al.** (45) **Date of Patent:** **\*\* Mar. 2, 2021**

(54) **TRAVELING MACHINE FOR POWER SHOVELS**

(71) Applicant: **Caterpillar SARL**, Geneva (CH)

(72) Inventors: **Niladri Manna**, Hyogo (JP);  
**Kazumasa Matsumura**, Hyogo (JP);  
**Ayaka Nagai**, Hyogo (JP); **Junji Mizugaki**, Hyogo (JP)

(73) Assignee: **Caterpillar SARL**, Geneva (CH)

(\*\*) Term: **15 Years**

(21) Appl. No.: **29/717,789**

(22) Filed: **Dec. 19, 2019**

(30) **Foreign Application Priority Data**

Jun. 26, 2019 (JP) ..... 2019-014147

(51) **LOC (13) Cl.** ..... **15-03**

(52) **U.S. Cl.**  
USPC ..... **D15/22**

(58) **Field of Classification Search**  
USPC .... D15/22-26, 28, 30, 31, 33, 10; 180/89.1,  
180/89.12, 235, 900, 298, 68.5; 414/685,  
414/686, 694, 722, 680, 724, 699;  
280/400  
CPC ..... A01G 23/093; A01G 23/08  
See application file for complete search history.

(56) **References Cited**

**U.S. PATENT DOCUMENTS**

D391,272 S	2/1998	Jin	
D437,602 S	2/2001	Hiraoka	
D460,975 S	7/2002	Yanagida	
D508,498 S *	8/2005	Shimokakiuchi	D15/24
D518,071 S *	3/2006	Gwak	D15/24
D534,552 S	1/2007	Yanagida	

D575,804 S *	8/2008	Murakami	D15/28
D590,845 S *	4/2009	Ochi	D15/22
D591,773 S *	5/2009	Ueta	D15/22
D631,067 S *	1/2011	Nishimura	D15/24
D658,211 S	4/2012	Hiraoka	
D663,324 S	7/2012	Fuchita	
D663,751 S	7/2012	Yogita	
D675,354 S	1/2013	Sakai et al.	
D677,703 S *	3/2013	Hiraoka	D15/25
D682,322 S	5/2013	Suzuki	
D684,598 S	6/2013	Hagura	
D684,599 S *	6/2013	Saito	D15/24
D685,394 S	7/2013	Nagata	
D692,464 S *	10/2013	Sumitani	D15/24
D692,465 S *	10/2013	Sumitani	D15/24
D695,791 S	12/2013	Hagura	
D707,261 S *	6/2014	Caboret	D15/24
D715,330 S	10/2014	Hutchinson	
D738,403 S *	9/2015	Imashige	D15/24

(Continued)

**FOREIGN PATENT DOCUMENTS**

JP 1580238 7/2017

*Primary Examiner* — Mark A Goodwin

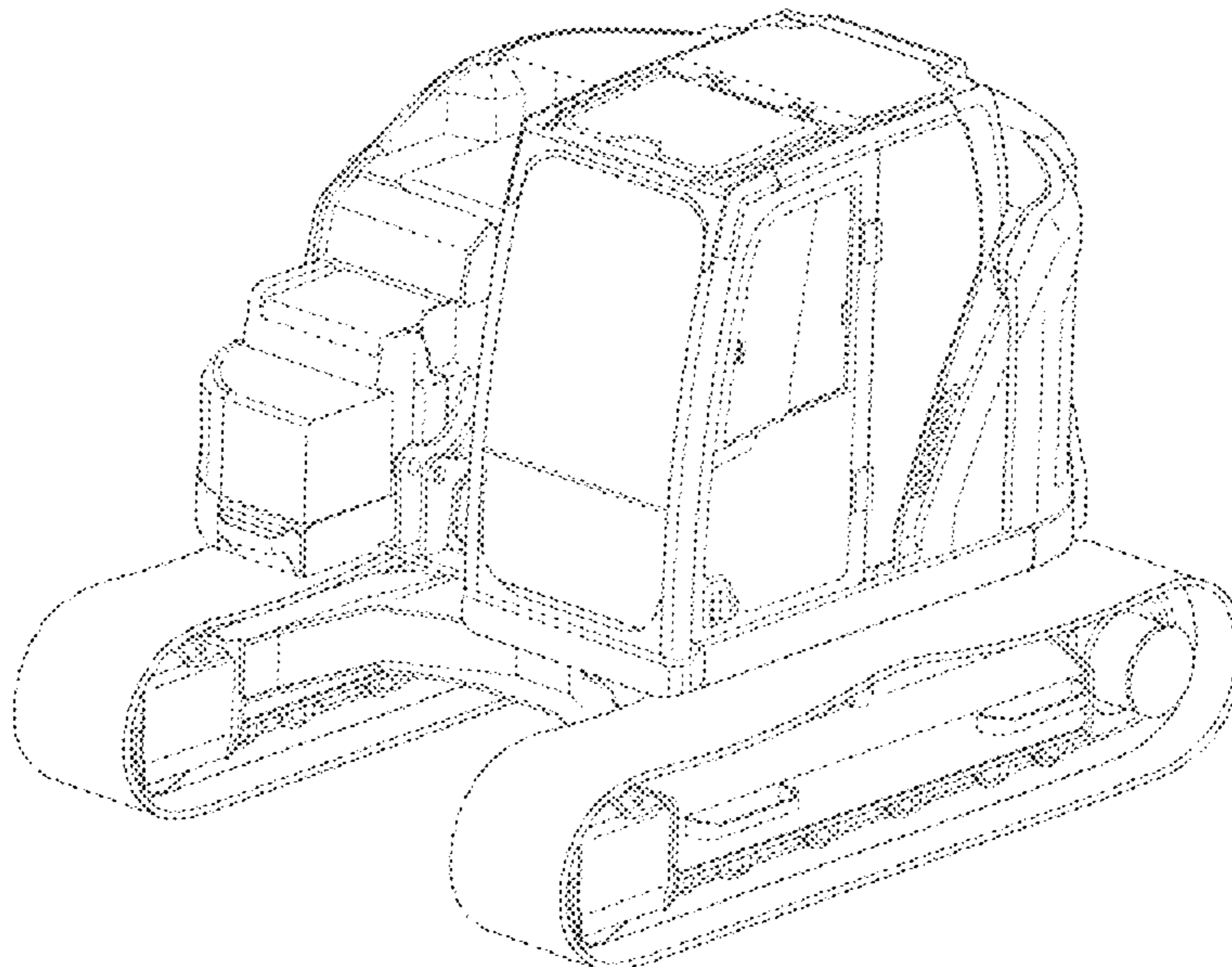
(57) **CLAIM**

The ornamental design for a traveling machine for power shovels as, shown and described.

**DESCRIPTION**

FIG. 1 is a front, left perspective view of a traveling machine for power shovels showing our new design; FIG. 2 is a front, right perspective view thereof; FIG. 3 is a rear, left perspective view thereof; FIG. 4 is a rear, right perspective view thereof; FIG. 5 is a front view thereof; FIG. 6 is a rear view thereof; FIG. 7 is a left side view thereof; FIG. 8 is a right side view thereof; and, FIG. 9 is a top view thereof.

**1 Claim, 9 Drawing Sheets**



(56)

**References Cited**

U.S. PATENT DOCUMENTS

D842,344 S \* 3/2019 Okuyama ..... D15/23  
D855,081 S 7/2019 Yoneda

\* cited by examiner

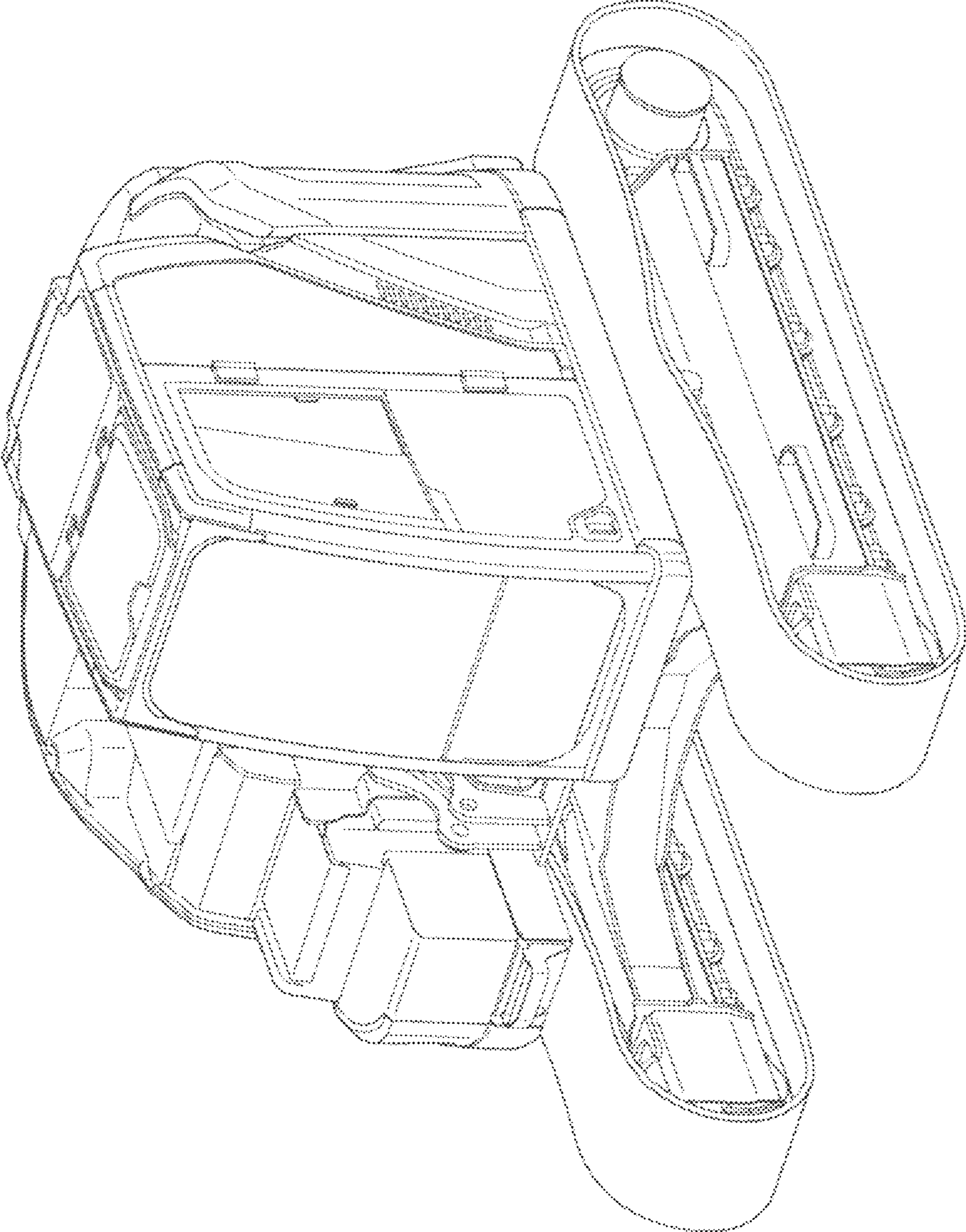


FIG. 1

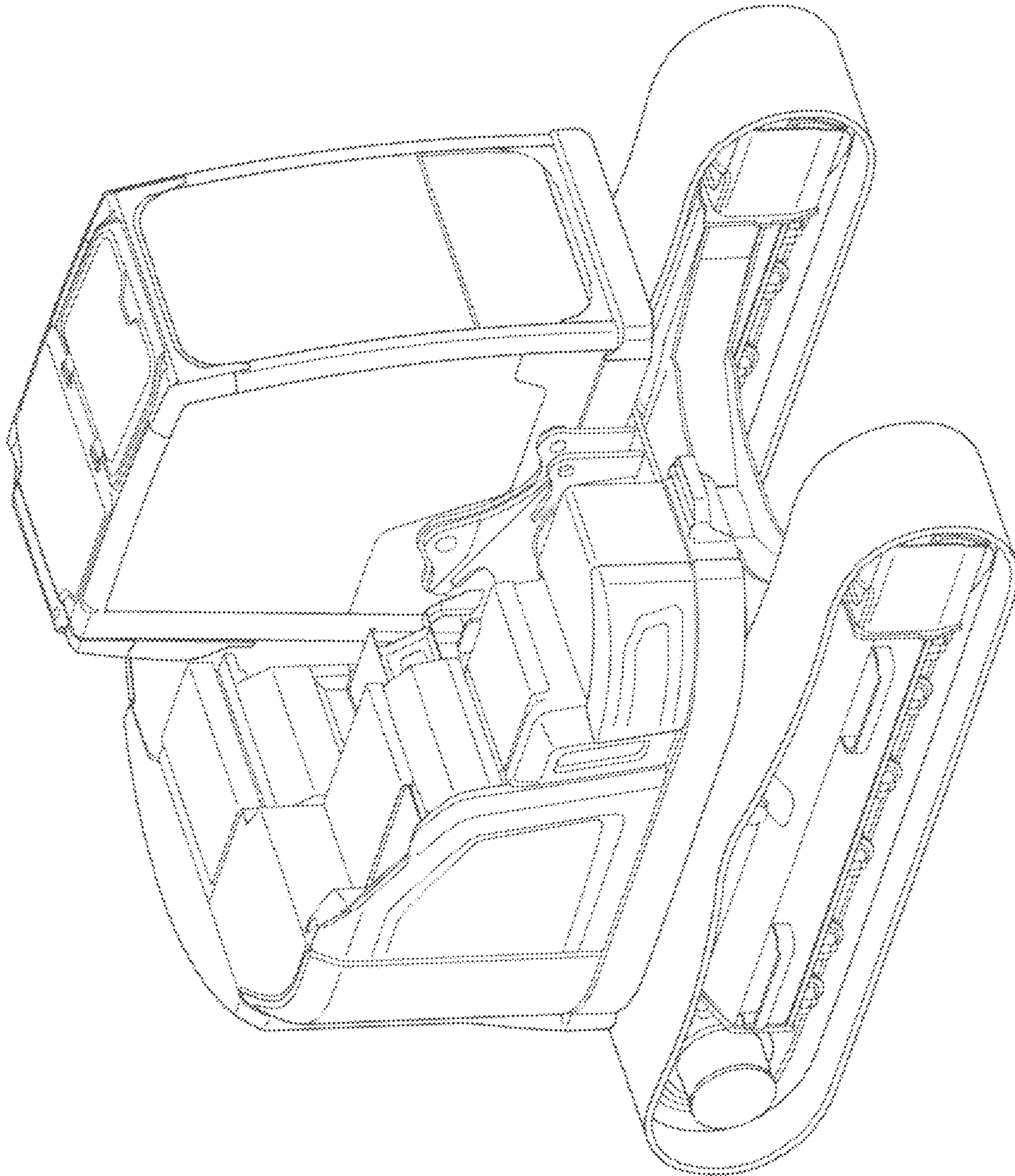


FIG. 2

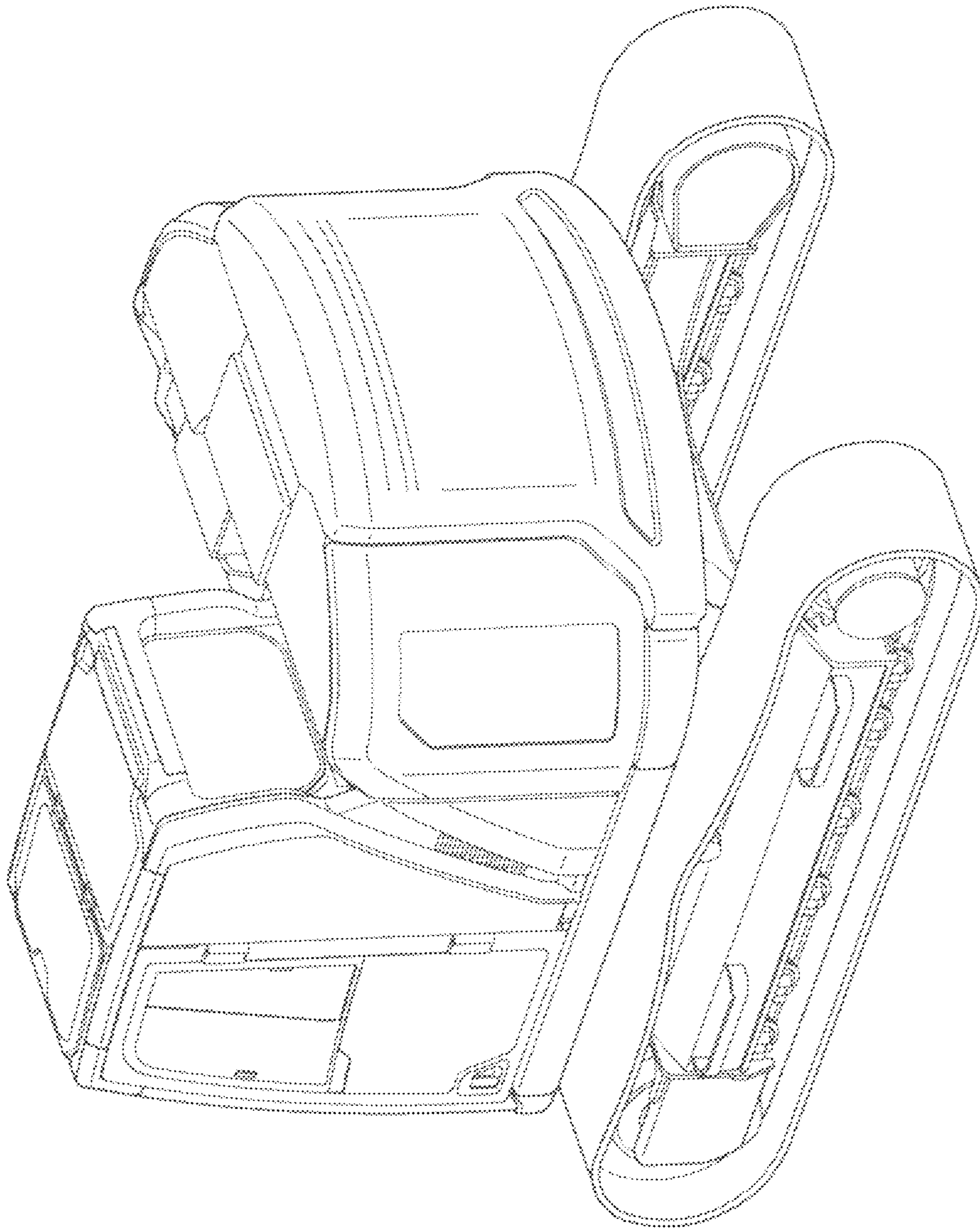


FIG. 3

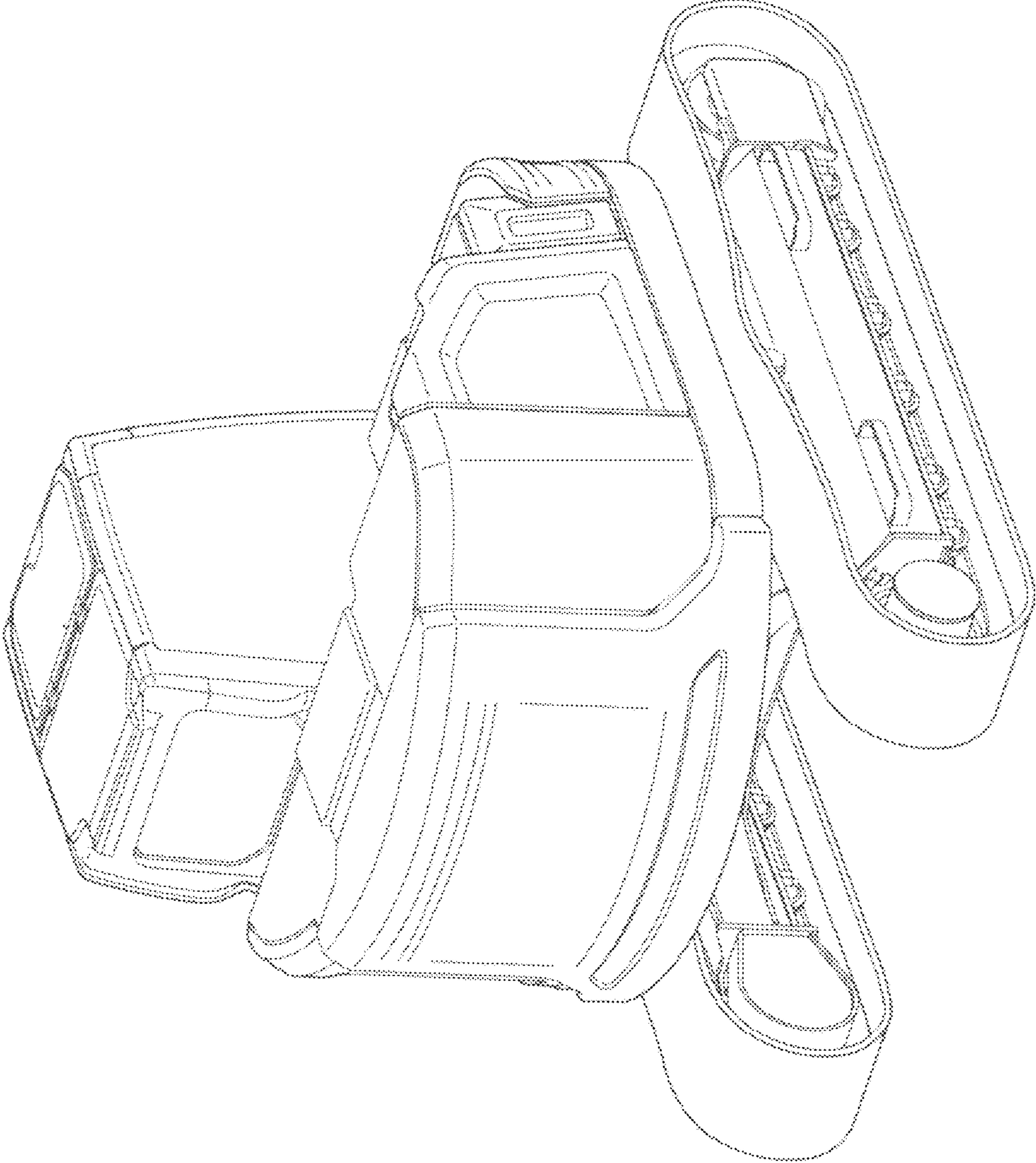


FIG. 4

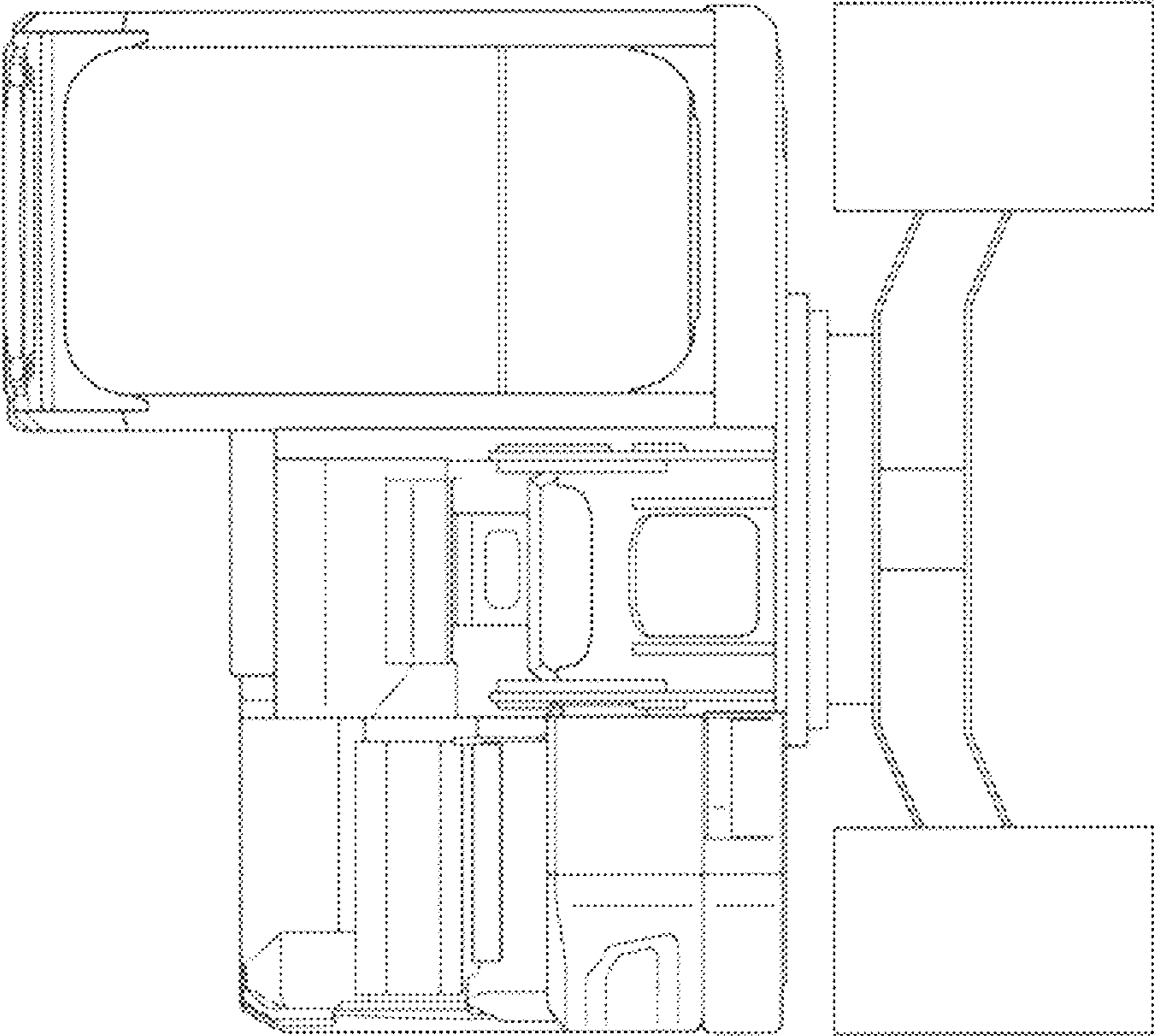


FIG. 5

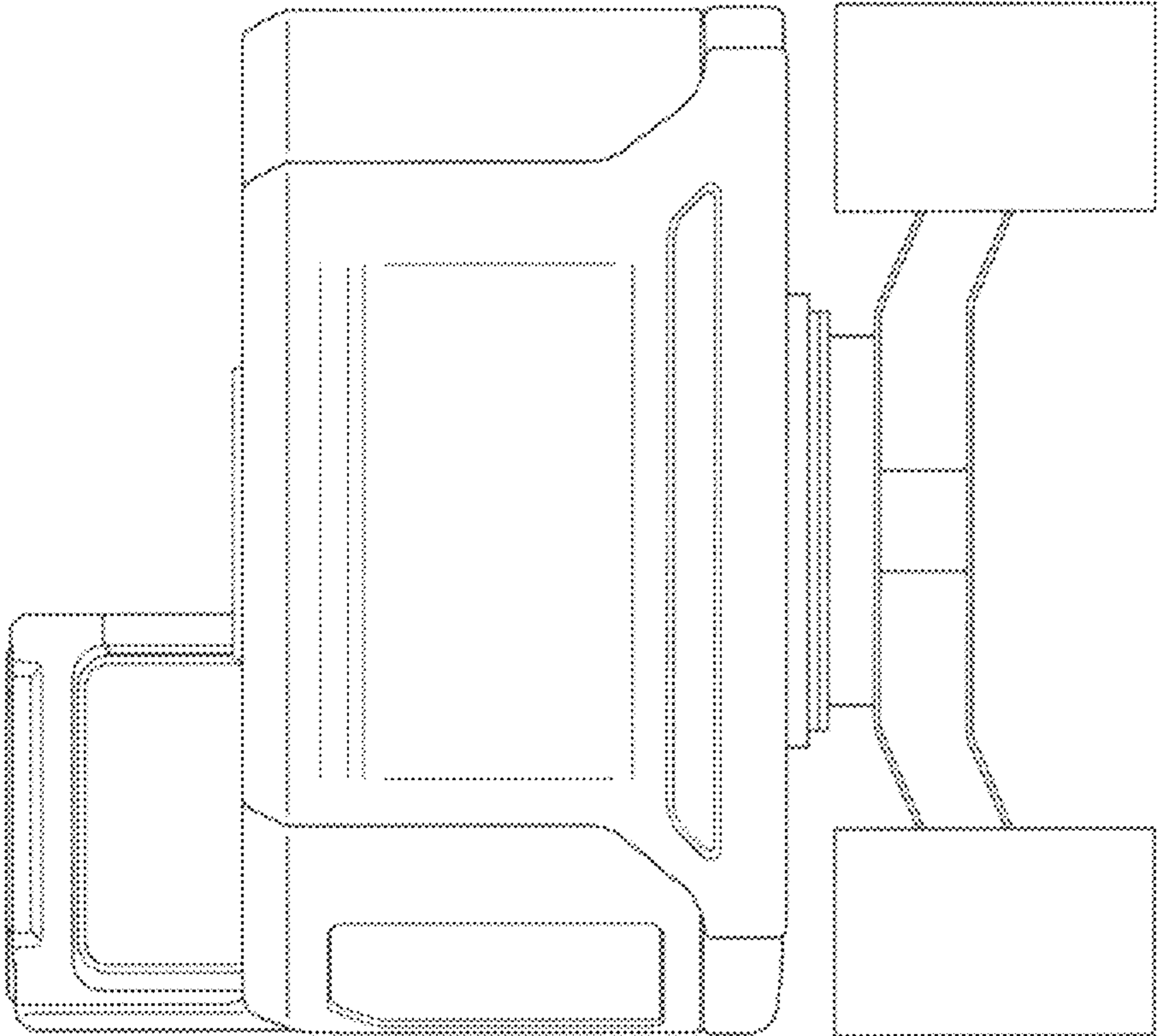


FIG. 6



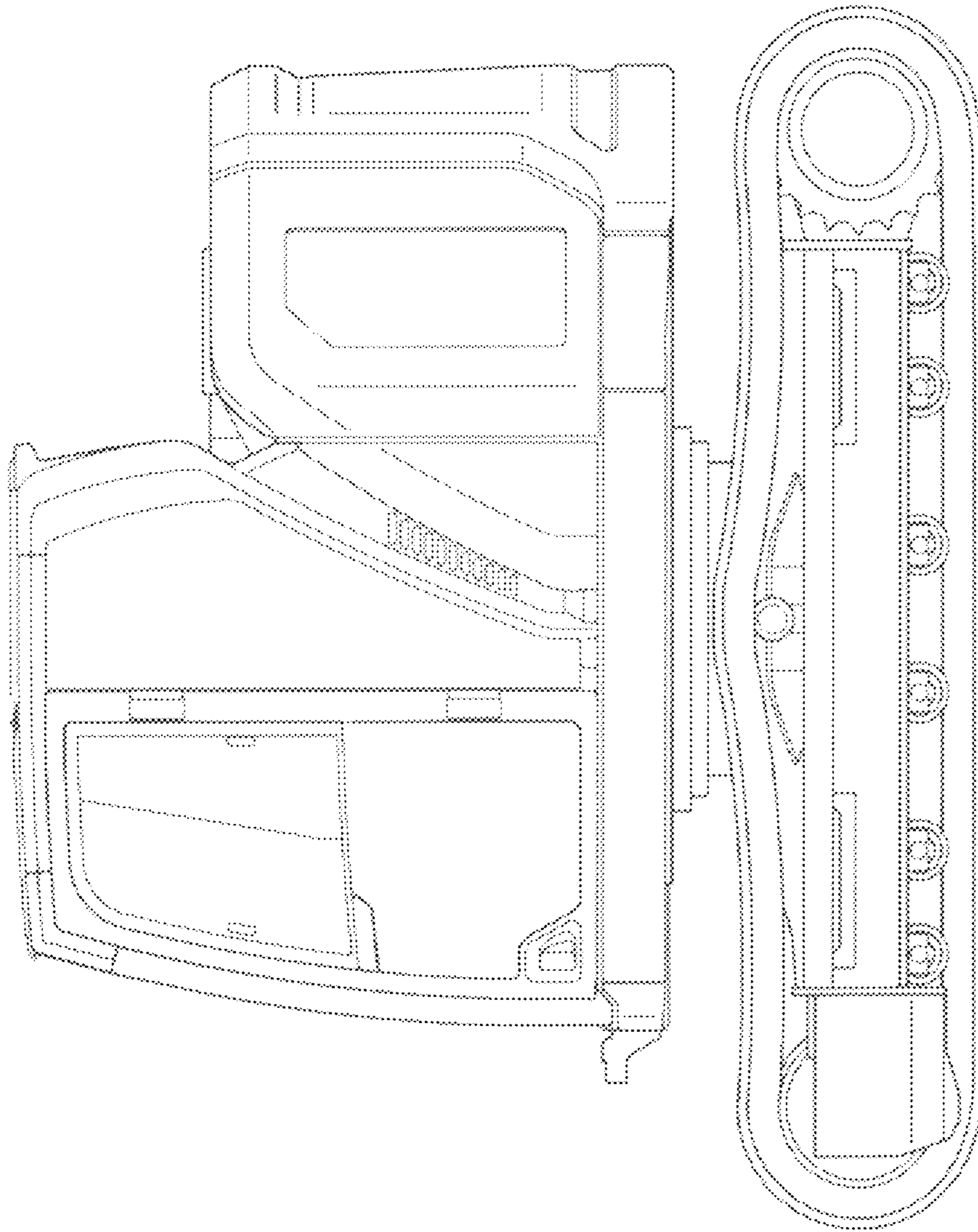


FIG. 7

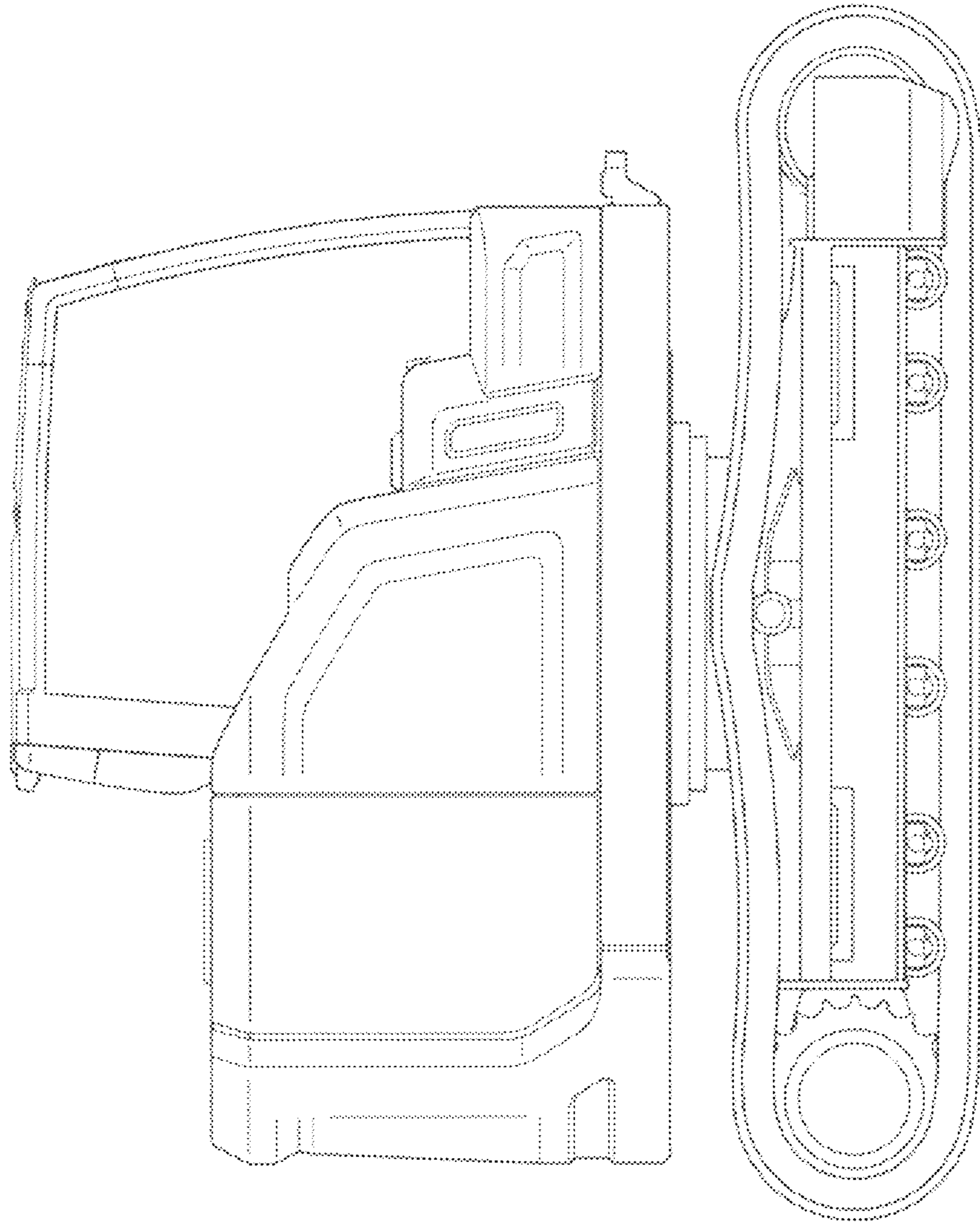


FIG. 8

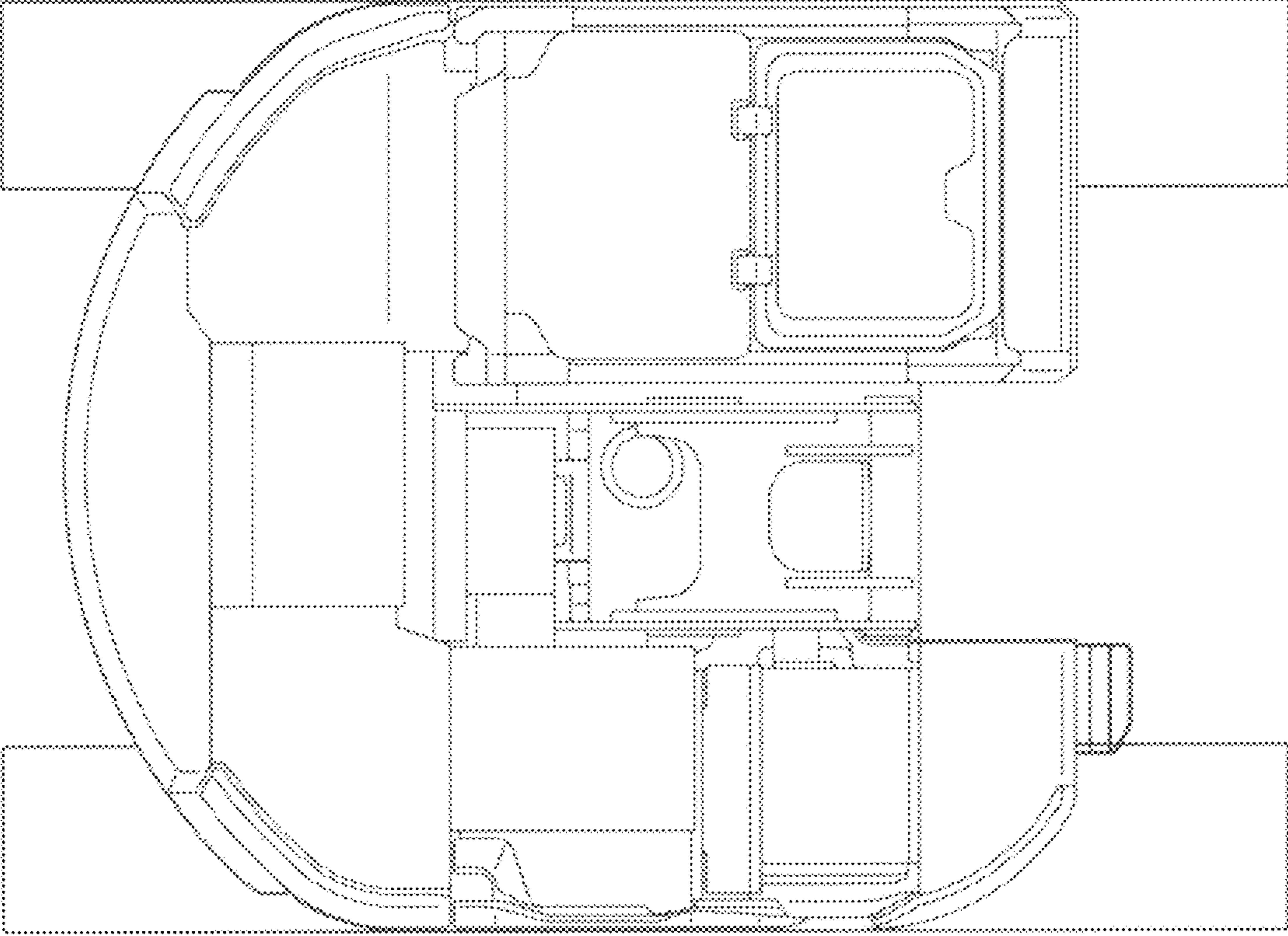


FIG. 9